



US00D870372S

(12) **United States Design Patent** (10) **Patent No.:** **US D870,372 S**
Zhu (45) **Date of Patent:** **** Dec. 17, 2019**

(54) **ELECTRONIC CIGARETTE**
(71) Applicant: **SHENZHEN KANGER TECHNOLOGY CO., LTD.**, Shenzhen (CN)
(72) Inventor: **Xiaochun Zhu**, Shenzhen (CN)
(73) Assignee: **SHENZHEN KANGER TECHNOLOGY CO., LTD.**, Shenzhen (CN)

D532,927 S * 11/2006 Sann D27/101
D577,150 S * 9/2008 Bryman D27/163
D649,708 S * 11/2011 Oneil D27/163
D718,492 S * 11/2014 Albanese D27/101
D721,202 S * 1/2015 Liu D27/101
D725,310 S * 3/2015 Eksouzian D27/101
D728,855 S * 5/2015 Liu D27/163
D729,444 S * 5/2015 Leidel D27/163
D729,445 S * 5/2015 Leidel D27/163
D730,572 S * 5/2015 Leidel D27/163
D731,114 S * 6/2015 Leidel D27/163
(Continued)

(**) Term: **15 Years**
(21) Appl. No.: **29/646,669**
(22) Filed: **May 7, 2018**

OTHER PUBLICATIONS

FDA Cracks Down on E-Cig Flavors by Sherri Riggs. dated Nov. 16, 2018. found online [Feb. 26, 2019] <https://usaherald.com/fda-cracks-e-cig-flavors/>.*

Related U.S. Application Data

(62) Division of application No. 29/597,720, filed on Mar. 20, 2017, now Pat. No. Des. 857,984.
(51) **LOC (12) Cl.** **27-02**
(52) **U.S. Cl.**
USPC **D27/167**
(58) **Field of Classification Search**
USPC D27/100, 101, 162-170, 172-195;
D24/110; D23/366; D3/273; D15/142,
D15/144-144.2
CPC A24F 1/30; A24F 47/002; A24F 9/14
See application file for complete search history.

Primary Examiner — Marissa J Cash
(74) *Attorney, Agent, or Firm* — Ming Jiang; MM IP Services LLC

(57) **CLAIM**

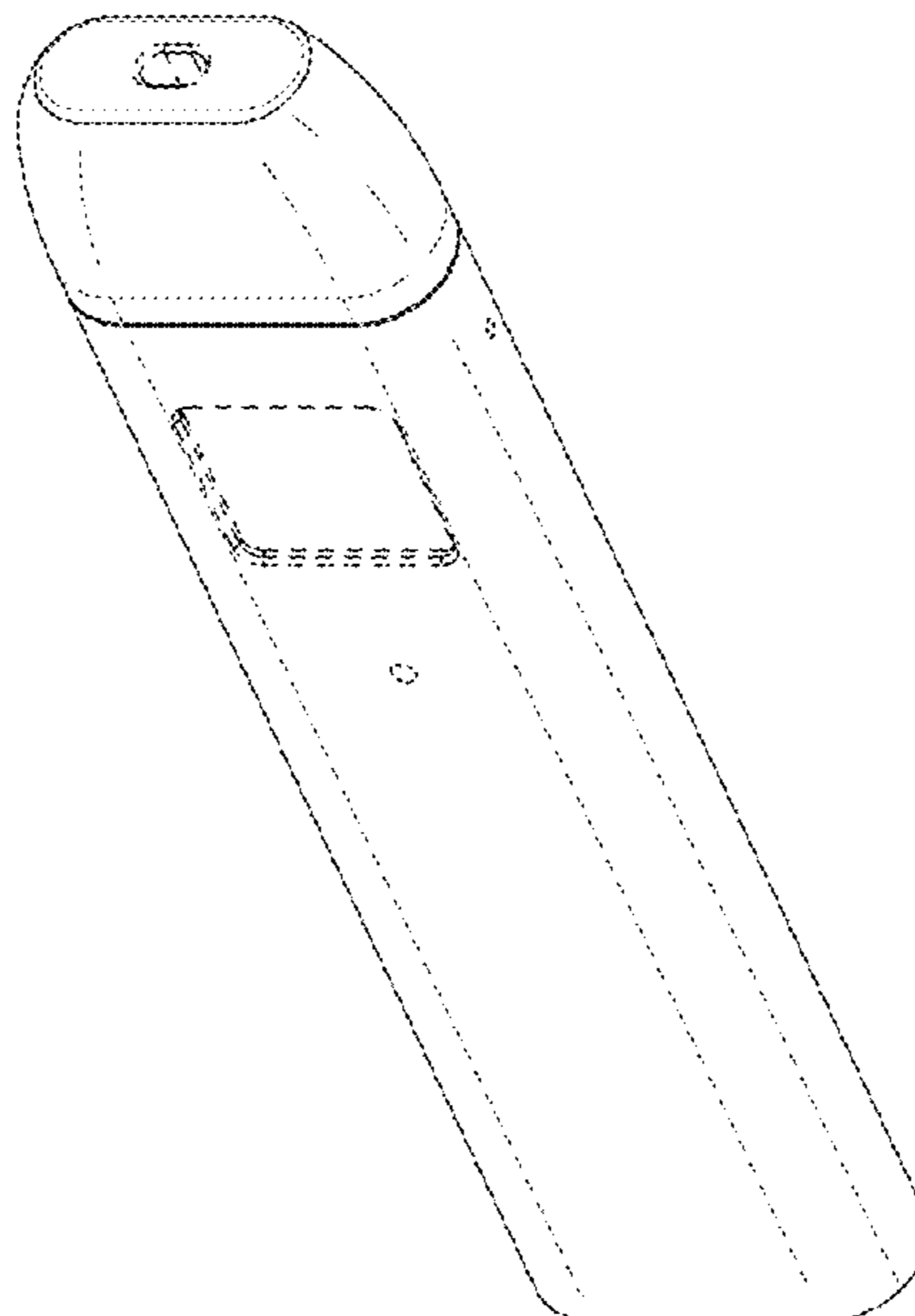
I claim the ornamental design for an electronic cigarette, as shown and described.

DESCRIPTION

FIG. 1 is a right side, top perspective view of an electronic cigarette embodying my design;
FIG. 2 is a front elevation view of the electronic cigarette;
FIG. 3 is a rear elevation view of the electronic cigarette;
FIG. 4 is a left elevation view of the electronic cigarette;
FIG. 5 is a right elevation view of the electronic cigarette;
FIG. 6 is a top elevation view of the electronic cigarette; and,
FIG. 7 is a bottom elevation view of the electronic cigarette.
The broken lines in the drawings depict a portion of the electronic cigarette that forms no part of the claimed design.

(56) **References Cited**
U.S. PATENT DOCUMENTS
4,993,435 A * 2/1991 McCann A24F 13/00
131/175
D347,490 S * 5/1994 Gee D27/194
D368,552 S * 4/1996 Adams D27/194
D401,012 S * 11/1998 Montoya D27/187
D422,113 S * 3/2000 Higgins D27/186

1 Claim, 4 Drawing Sheets



(56)

References Cited

U.S. PATENT DOCUMENTS

D733,356 S *	6/2015	Leidel	D27/163	D790,766 S *	6/2017	Li	D27/163
D743,099 S *	11/2015	Oglesby	D27/101	D792,020 S *	7/2017	Mendoza	D27/101
D745,213 S *	12/2015	Alima	D27/143	D792,021 S *	7/2017	Beer	D27/101
D748,325 S *	1/2016	Leidel	D27/163	D792,642 S *	7/2017	Mendoza	D27/101
D753,336 S *	4/2016	Chen	D27/101	D792,643 S *	7/2017	Wong	D27/101
D753,338 S *	4/2016	Chen	D27/162	D799,110 S *	10/2017	Qiu	D27/101
D758,004 S *	5/2016	Freshwater	D27/163	D799,111 S *	10/2017	Qiu	D27/101
D758,655 S *	6/2016	Freshwater	D27/163	D799,112 S *	10/2017	Qiu	D27/101
D758,656 S *	6/2016	Freshwater	D27/163	D799,113 S *	10/2017	Qiu	D27/101
D759,303 S *	6/2016	Afridi	D27/101	D799,743 S *	10/2017	Qiu	D27/101
D760,429 S *	6/2016	Emarlou	D27/163	D799,744 S *	10/2017	Qiu	D27/101
D760,948 S *	7/2016	Eksouzian	D27/101	D799,745 S *	10/2017	Qiu	D27/101
D761,999 S *	7/2016	Liu	D27/101	D799,746 S *	10/2017	Leidel	D27/163
D768,331 S *	10/2016	Chen	D27/101	D800,377 S *	10/2017	Liu	D27/101
D768,918 S *	10/2016	Ward	D27/167	D800,380 S *	10/2017	Williams	D27/163
D769,520 S *	10/2016	Hua	D27/167	D800,383 S *	10/2017	Verleur	D27/167
D770,678 S *	11/2016	Shin	D27/163	D802,206 S *	11/2017	Huang	D27/101
D771,309 S *	11/2016	Ward	D27/167	D802,834 S *	11/2017	Mathias	D27/163
D771,867 S *	11/2016	Leidel	D27/163	D802,839 S *	11/2017	Scott	D27/194
D772,477 S *	11/2016	Smith	D27/163	D804,717 S *	12/2017	Wang	D27/101
D773,114 S *	11/2016	Leidel	D27/163	D814,693 S *	4/2018	Qiu	D27/101
D773,116 S *	11/2016	Liu	D27/167	D815,341 S *	4/2018	Qiu	D27/101
D775,414 S *	12/2016	Ampolini	D13/108	D818,636 S *	5/2018	Qiu	D27/101
D775,762 S *	1/2017	Chen	D27/101	D819,881 S *	6/2018	Qiu	D27/101
D776,337 S *	1/2017	Levin	D27/101	D822,271 S *	7/2018	Eksouzian	D27/101
D776,869 S *	1/2017	Heidl	D27/163	D822,896 S *	7/2018	Durand	D27/101
D778,492 S *	2/2017	Liu	D27/101	D825,099 S *	8/2018	Wright	D27/101
D779,719 S *	2/2017	Qiu	D27/101	D827,195 S *	8/2018	Chen	D27/101
D780,373 S *	2/2017	Bennett	D27/186	D829,371 S *	9/2018	Durand	D27/101
D783,895 S *	4/2017	Chen	D27/163	D829,980 S *	10/2018	Qiu	D27/162
D785,237 S *	4/2017	Wu	D27/167	D832,500 S *	10/2018	Qiu	D27/162
D785,862 S *	5/2017	Wu	D27/167	D834,246 S *	11/2018	Qiu	D27/162
D786,497 S *	5/2017	Sudlow	D27/162	2011/0162663 A1 *	7/2011	Bryman	A24F 3/00 131/226
D788,362 S *	5/2017	Qiu	D27/101	2015/0034104 A1 *	2/2015	Zhou	
D789,598 S *	6/2017	Chen	D27/163	2015/0053217 A1 *	2/2015	Steingraber	A24F 47/008 131/329

* cited by examiner

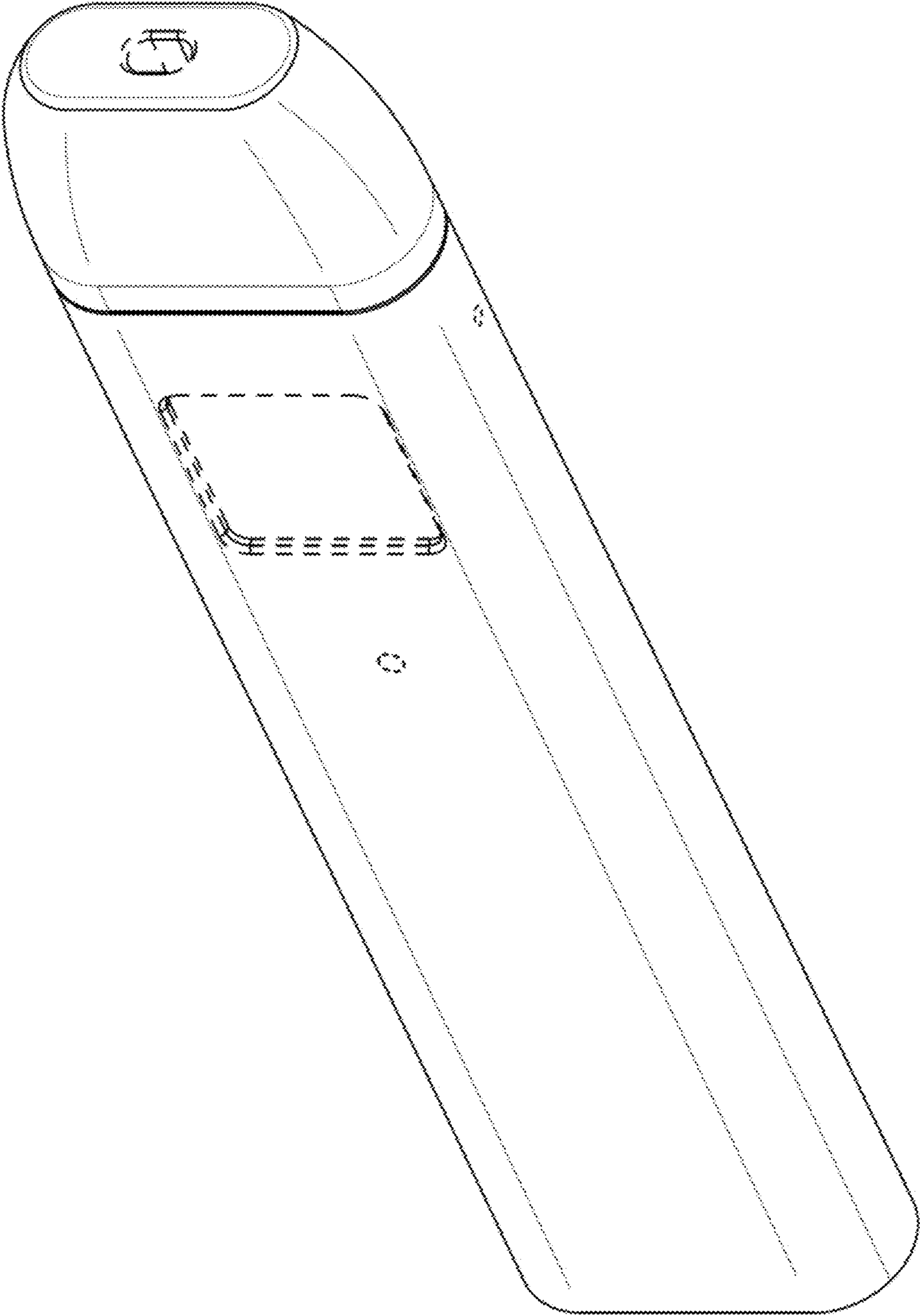


FIG. 1

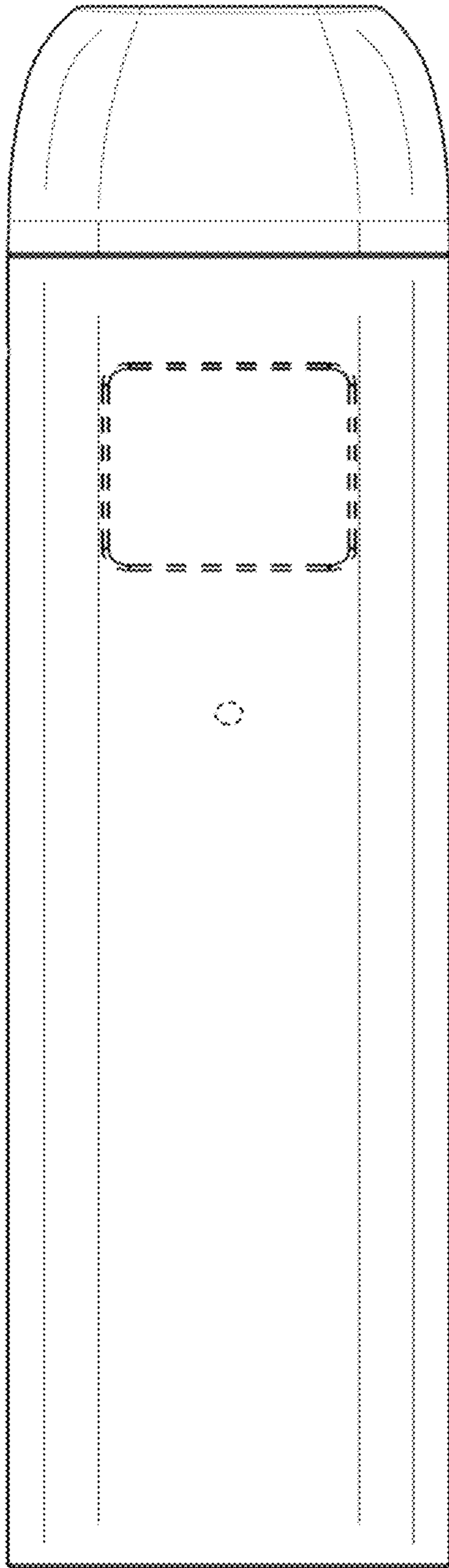


FIG. 2

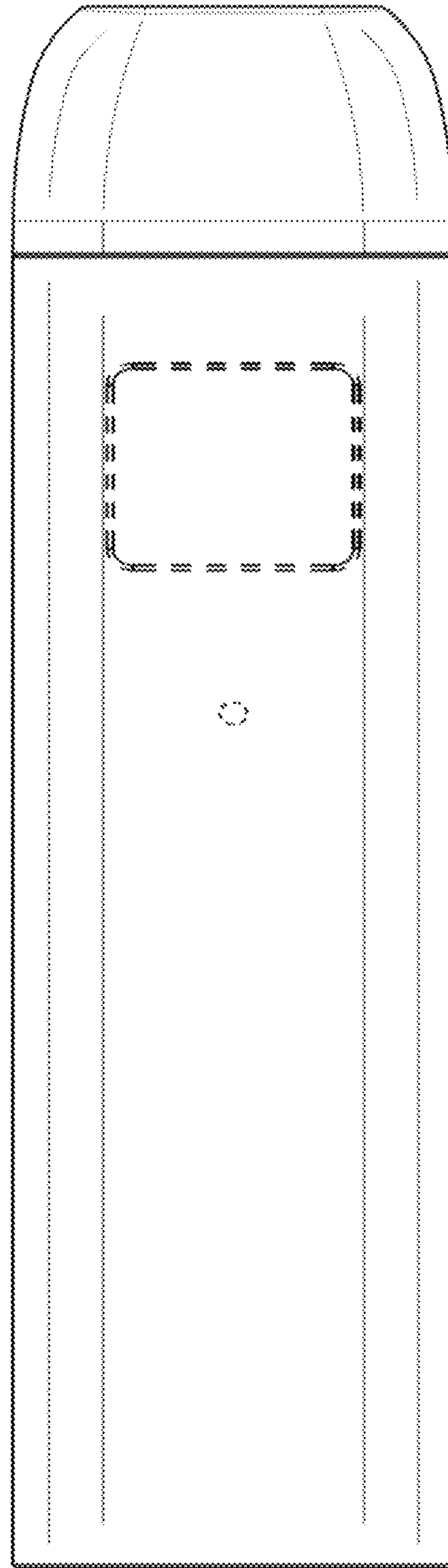


FIG. 3

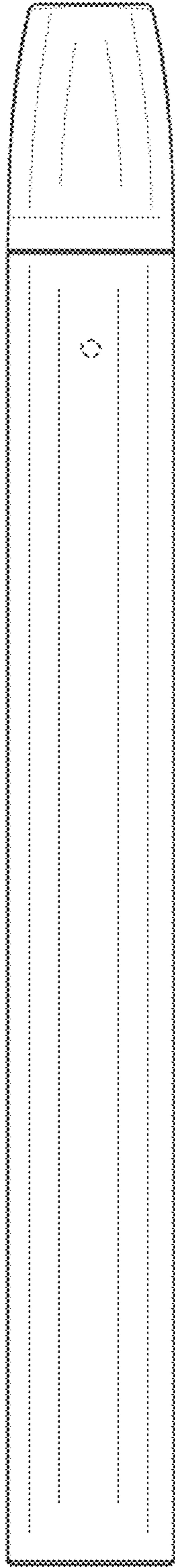


FIG. 4

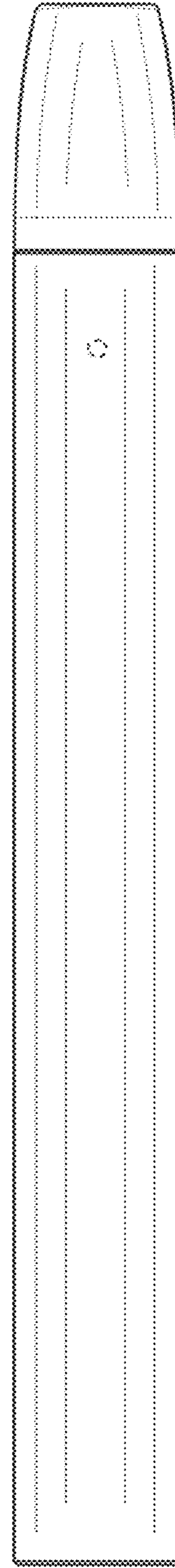


FIG. 5

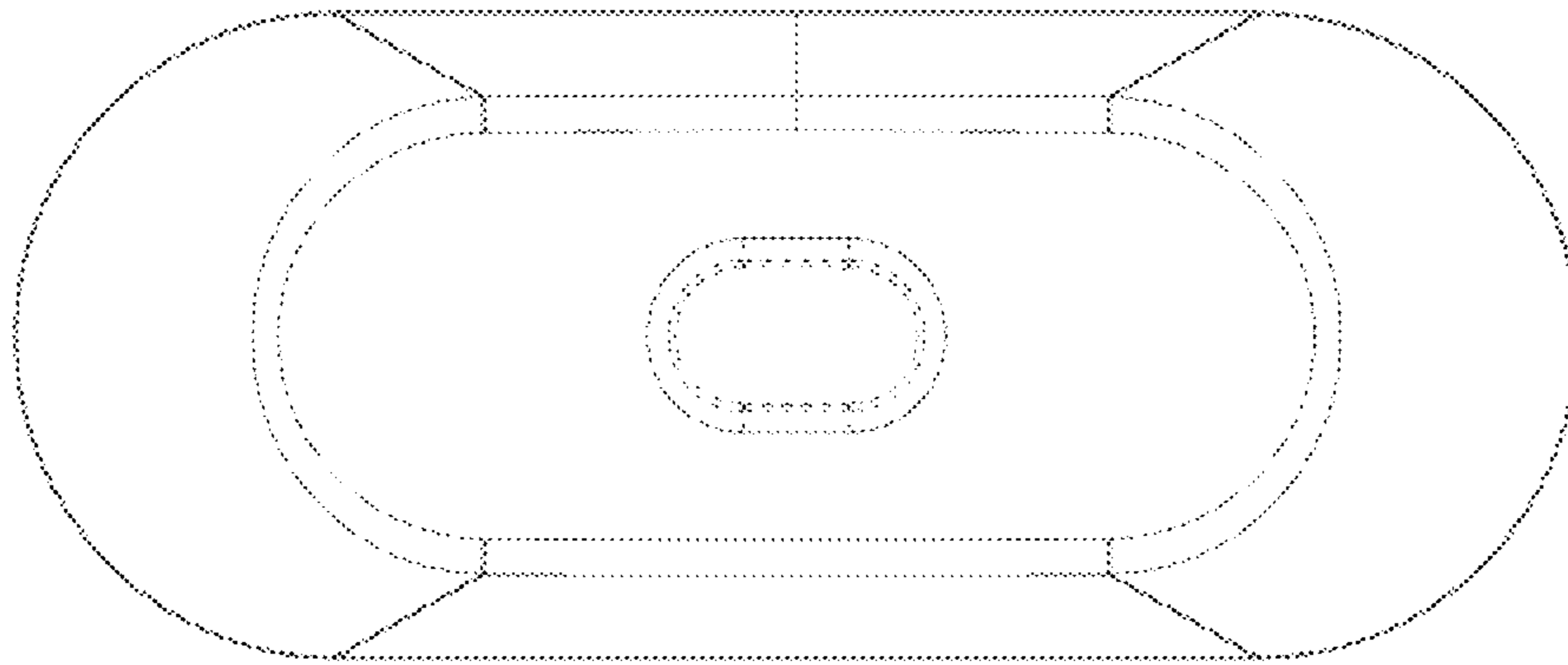


FIG. 6

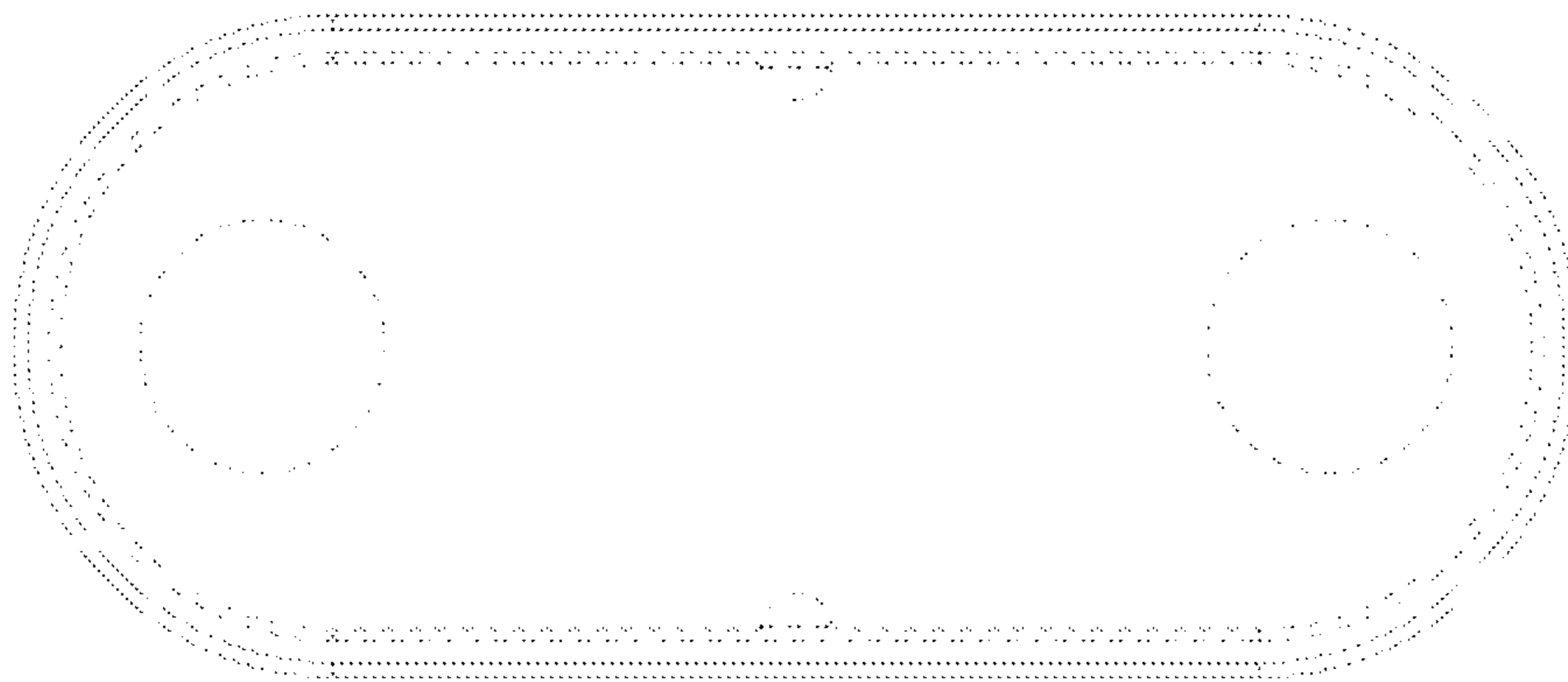


FIG. 7