



US00D870371S

(12) **United States Design Patent** (10) **Patent No.:** **US D870,371 S**
Storz (45) **Date of Patent:** **** *Dec. 17, 2019**

(54) **CONTAINER FOR MEDICAL PURPOSES**

(71) Applicant: **Stobi GmbH & Co. KG**, Tuttlingen (DE)

(72) Inventor: **Markus Storz**, Tuttlingen (DE)

(73) Assignee: **Stobi GmbH & Co. KG**, Tuttlingen (DE)

(*) Notice: This patent is subject to a terminal disclaimer.

(**) Term: **15 Years**

(21) Appl. No.: **29/580,061**

(22) Filed: **Oct. 5, 2016**

(30) **Foreign Application Priority Data**

Sep. 21, 2016 (EM) 003387299-0001

(51) **LOC (12) Cl.** **27-02**

(52) **U.S. Cl.**
USPC **D27/167; D9/905**

(58) **Field of Classification Search**
USPC D7/300.1, 538, 591, 597, 647; D9/435, D9/454, 501, 519, 520, 549, 551, 564, D9/738, 905; D24/110, 121, 129, 230; D27/162, 164, 167, 168, 193; D28/8, 76, D28/91

CPC A24D 1/14; A24F 23/00; A24F 47/008
See application file for complete search history.

(56) **References Cited**

U.S. PATENT DOCUMENTS

- D162,005 S * 2/1951 Burroughs D7/591
- D162,949 S * 4/1951 Gowland D7/591
- 3,292,634 A * 12/1966 Beucler A24D 1/14
131/183
- D245,750 S * 9/1977 Maclean D7/591
- D248,204 S * 6/1978 Daenen D7/591

- D318,227 S * 7/1991 Halm D23/366
- 5,031,573 A * 7/1991 De Marco A01K 1/0245
119/496
- D319,781 S * 9/1991 Halm D23/366
- D347,359 S * 5/1994 Robbins, III D7/512
- D353,521 S * 12/1994 Booten D7/538
- 5,409,126 A * 4/1995 DeMars B65D 21/0219
206/499
- D434,324 S * 11/2000 Gobe D28/76

(Continued)

FOREIGN PATENT DOCUMENTS

- CN 302731758 * 2/2014
- CN 303332716 * 8/2015
- EM 003387299-0001 * 9/2016

OTHER PUBLICATIONS

<https://www.tothecloudvaporstore.com/storz-bickel-dosing-capsules-review/> Posted Apr. 17, 2017 (Year: 2017).*

(Continued)

Primary Examiner — Leanne Was-Englehart
(74) *Attorney, Agent, or Firm* — Schlee IP International, P.C.; Alexander R. Schlee

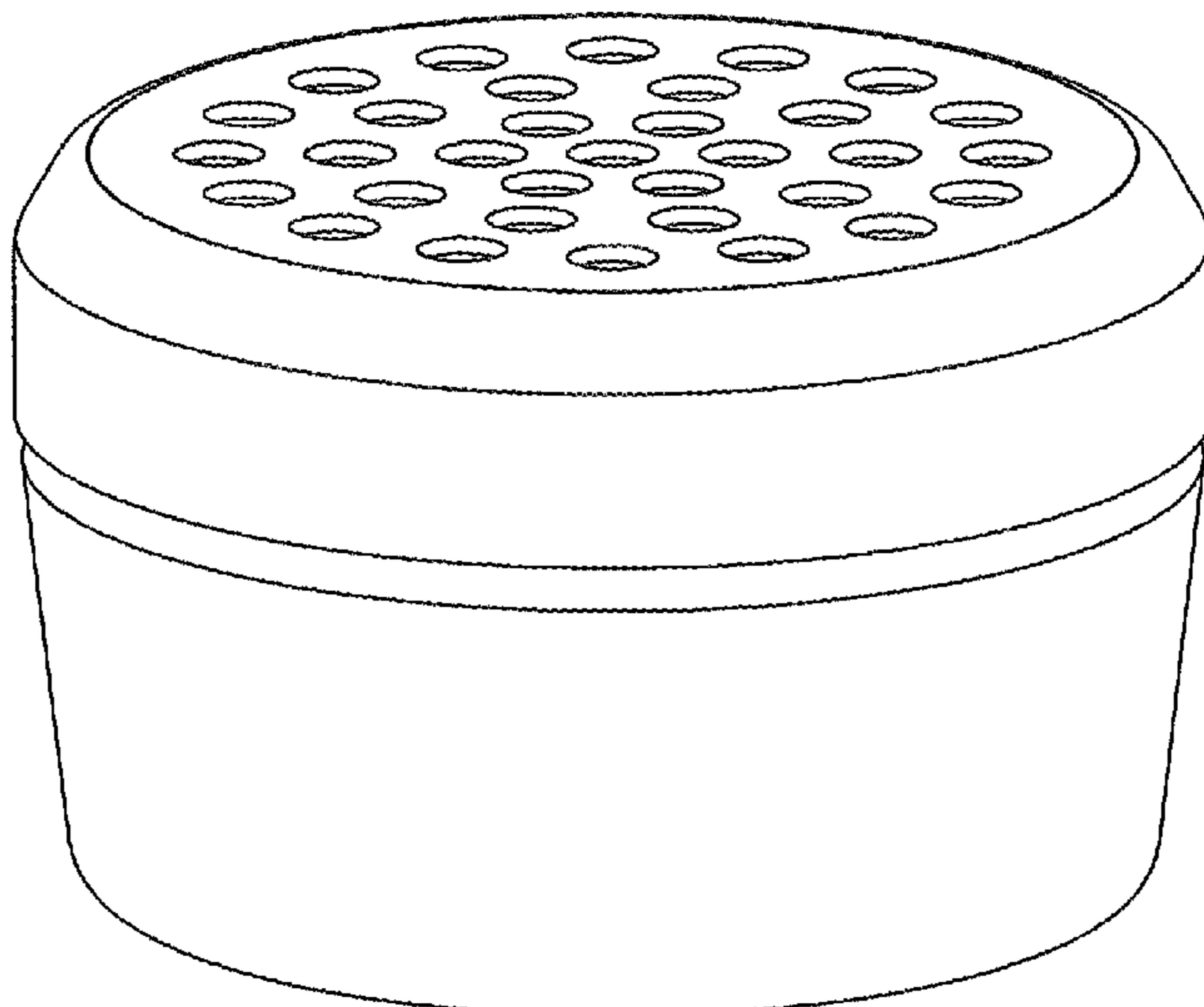
(57) **CLAIM**

The ornamental design for a container for medical purposes, as shown and described.

DESCRIPTION

FIG. 1 is a perspective view of the container for medical purposes in an open configuration;
FIG. 2 is a perspective view thereof in a closed configuration;
FIG. 3 is a bottom view thereof;
FIG. 4 is a top view thereof; and,
FIG. 5 is a side view thereof.
The broken lines in FIG. 3 depict portions of the container for medical purposes that form no part of the claimed design.

1 Claim, 5 Drawing Sheets



(56)

References Cited

U.S. PATENT DOCUMENTS

D440,156 S * 4/2001 Lonczak D7/597
 D465,282 S * 11/2002 Cecchi D24/121
 D476,893 S * 7/2003 Pinnavaia D9/435
 D477,225 S * 7/2003 Pinnavaia D9/435
 D541,156 S * 4/2007 Florio D9/454
 D588,872 S * 3/2009 Gospodarski D7/591
 D595,578 S * 7/2009 Del Tedesco Zamberlan
 D28/76
 D684,256 S * 6/2013 Menezes D24/110
 D695,613 S * 12/2013 Miranda De Araujo D9/449
 D702,555 S * 4/2014 Park D9/454
 8,763,799 B2 * 7/2014 Haidar A24F 23/00
 131/173
 D720,898 S * 1/2015 Herrera D30/160
 D726,367 S * 4/2015 Dukat D27/167
 D746,106 S * 12/2015 Chan D7/399
 D760,430 S * 6/2016 Hanna D27/162
 D767,952 S * 10/2016 Ioncescu D7/647
 D782,108 S * 3/2017 Jordan D27/167
 2009/0151717 A1 * 6/2009 Bowen A61M 11/041
 128/200.23

2009/0178686 A1 * 7/2009 Nefraoui A24D 1/14
 131/173
 2013/0192615 A1 * 8/2013 Tucker H01C 17/00
 131/328
 2013/0213419 A1 * 8/2013 Tucker A24F 47/008
 131/328
 2014/0061073 A1 * 3/2014 Haidar A24F 23/00
 206/256
 2014/0290676 A1 * 10/2014 Liu A24F 47/008
 131/329
 2015/0208731 A1 * 7/2015 Malamud A24F 47/008
 131/328
 2016/0157520 A1 * 6/2016 Alfawaz A24F 1/30
 131/173
 2016/0324216 A1 * 11/2016 Li A24F 47/008
 2017/0245541 A1 * 8/2017 Pagan A24B 7/00

OTHER PUBLICATIONS

<https://forum.vapelife.com/discussion/272/storz-bickel-dosing-capsules/p1> Posted May 11, 2016 (Year: 2016).*

* cited by examiner

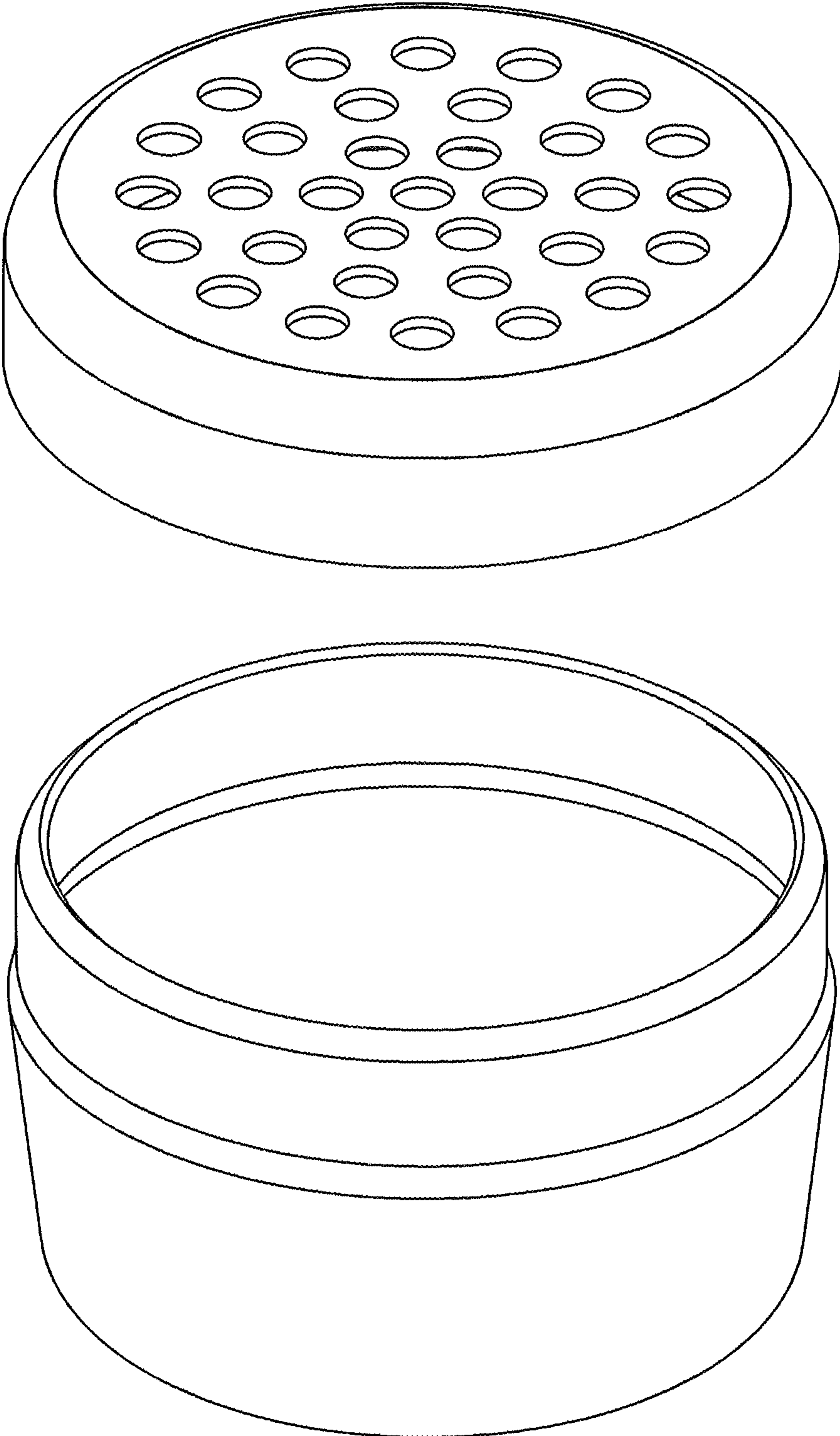


FIG. 1

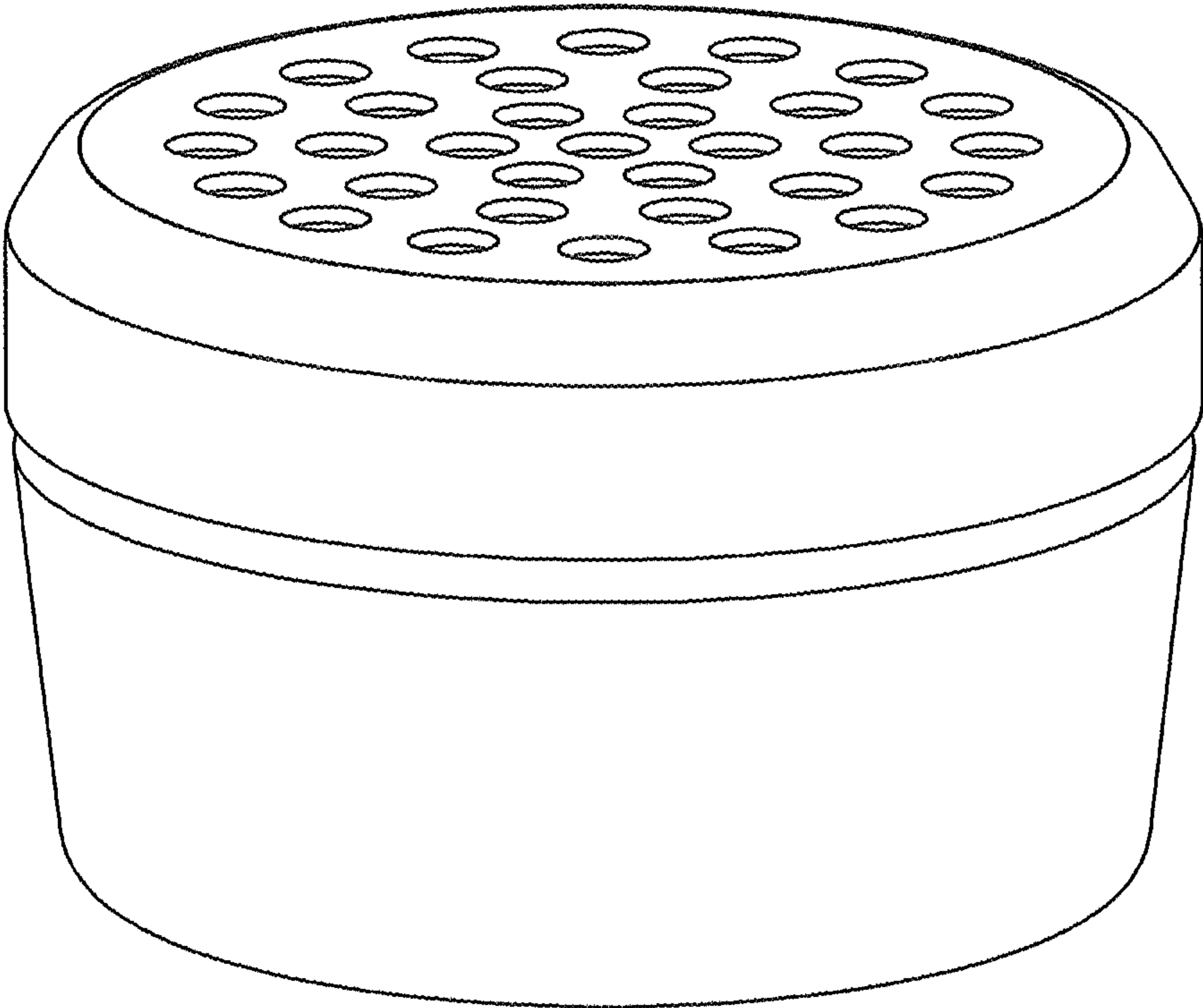


FIG. 2

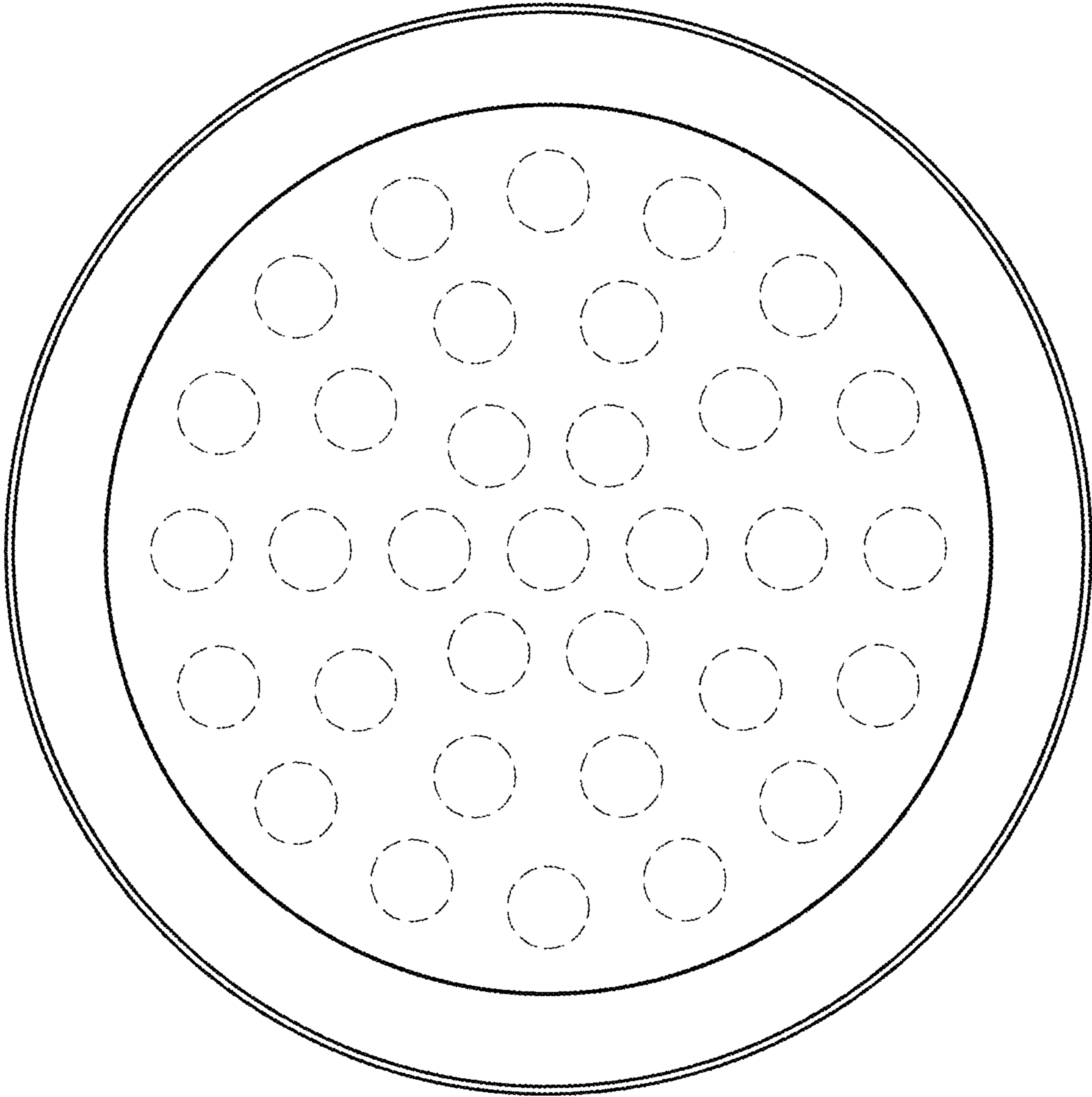


FIG. 3

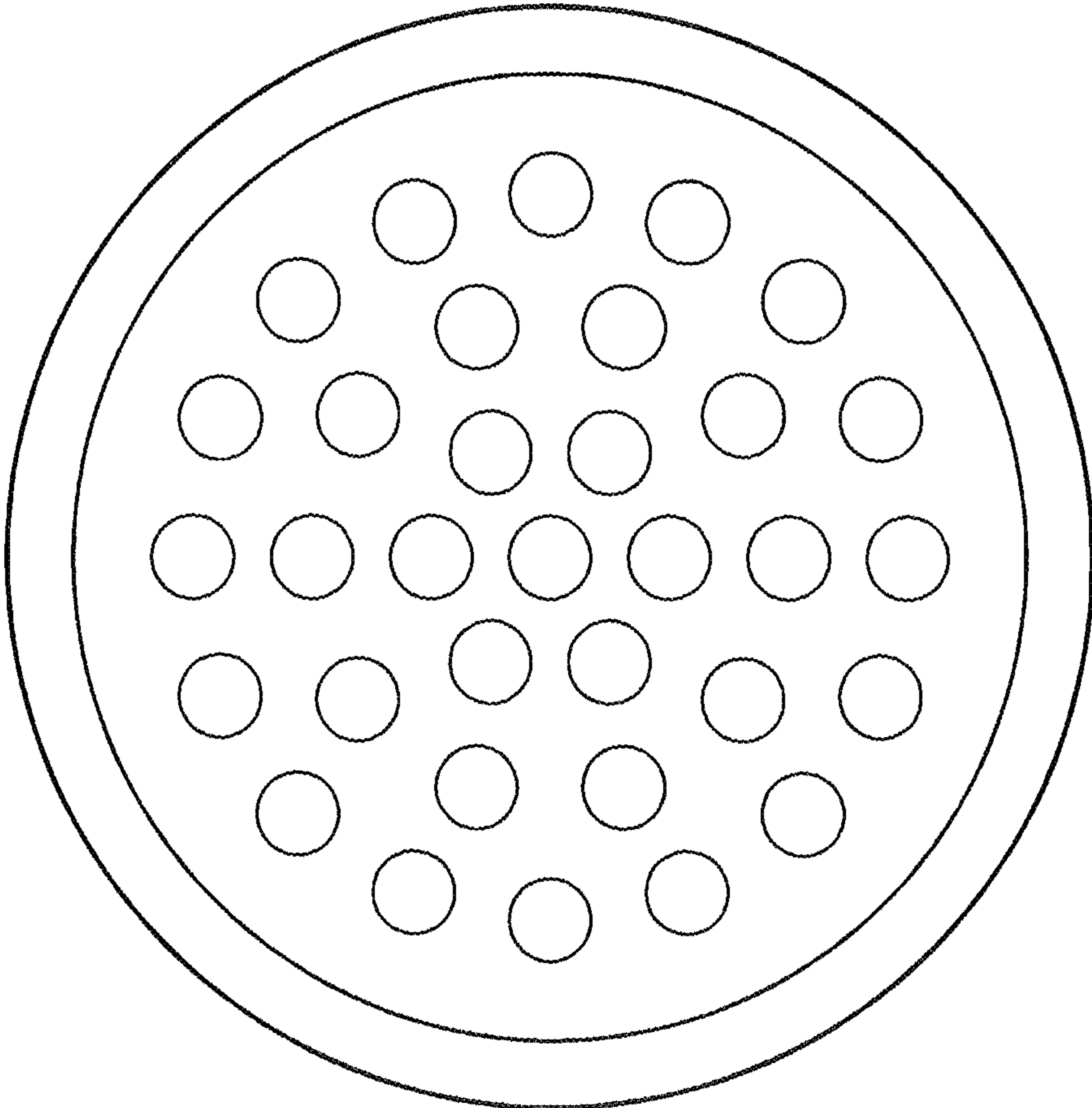


FIG. 4

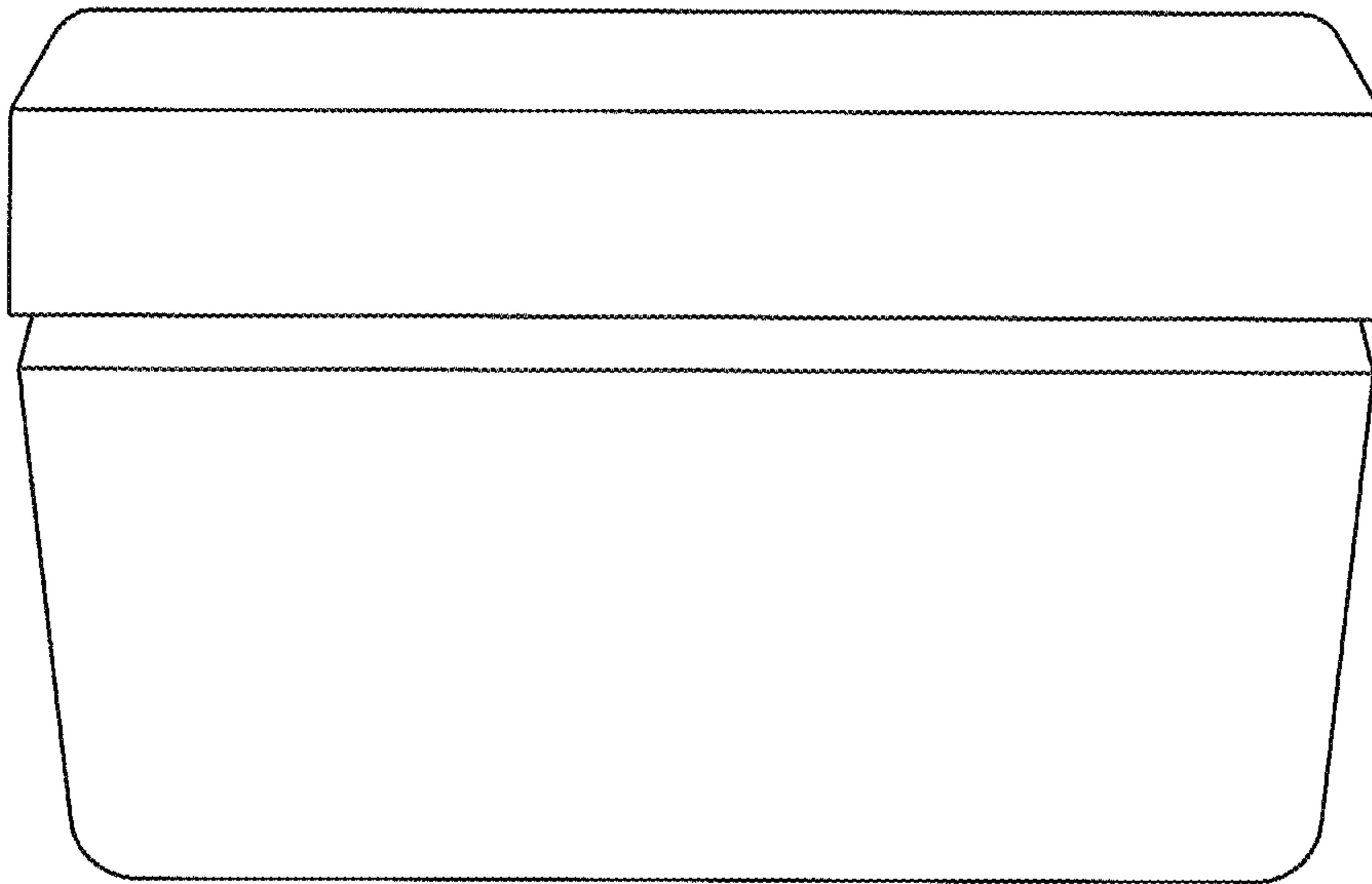


FIG. 5