



US00D870368S

(12) **United States Design Patent** (10) **Patent No.:** **US D870,368 S**  
**Leon Duque et al.** (45) **Date of Patent:** **\*\* Dec. 17, 2019**

(54) **VAPORIZER CARTRIDGE**  
(71) Applicant: **Pax Labs, Inc.**, San Francisco, CA (US)  
(72) Inventors: **Esteban Leon Duque**, San Francisco, CA (US); **James Monsees**, San Francisco, CA (US); **Brandon Cheung**, San Francisco, CA (US); **Steven Christensen**, San Mateo, CA (US)  
(73) Assignee: **PAX Labs, Inc.**, San Francisco, CA (US)

D446,499 S \* 8/2001 Andre ..... D13/110  
D521,445 S \* 5/2006 Liu ..... D13/103  
D631,885 S \* 2/2011 Maier ..... D14/435.1  
D643,807 S \* 8/2011 Jiang ..... D13/103  
D645,817 S \* 9/2011 Sasada ..... D13/108  
D665,734 S \* 8/2012 Fitch ..... D13/107  
D676,810 S \* 2/2013 Smith ..... D13/110  
D697,029 S \* 1/2014 Chiu ..... D13/110  
D700,136 S \* 2/2014 Morris ..... D13/103

(Continued)

*Primary Examiner* — Marissa J Cash  
(74) *Attorney, Agent, or Firm* — Mintz Levin Cohn Ferris Glovsky and Popeo, P.C.

(\*\*) Term: **15 Years**

(57) **CLAIM**

(21) Appl. No.: **29/617,611**

The ornamental design for a vaporizer cartridge, as shown and described.

(22) Filed: **Sep. 14, 2017**

**DESCRIPTION**

**Related U.S. Application Data**

(63) Continuation of application No. 29/568,343, filed on Jun. 16, 2016.

(51) **LOC (12) Cl.** ..... **27-02**

(52) **U.S. Cl.**  
USPC ..... **D27/162**; D27/194

(58) **Field of Classification Search**  
USPC ..... D27/100, 101, 102, 103, 104, 105, 125, D27/137, 162, 163–169, 170, 171, D27/172–194; D23/366; D13/103, 108, D13/110; D9/452, 453, 454, 457; D14/435.1

CPC ..... A24F 1/30; A24F 5/04; A24F 9/00; A24F 47/002; A24F 47/008; A24F 7/00; A61M 15/0021; G06K 7/0004

See application file for complete search history.

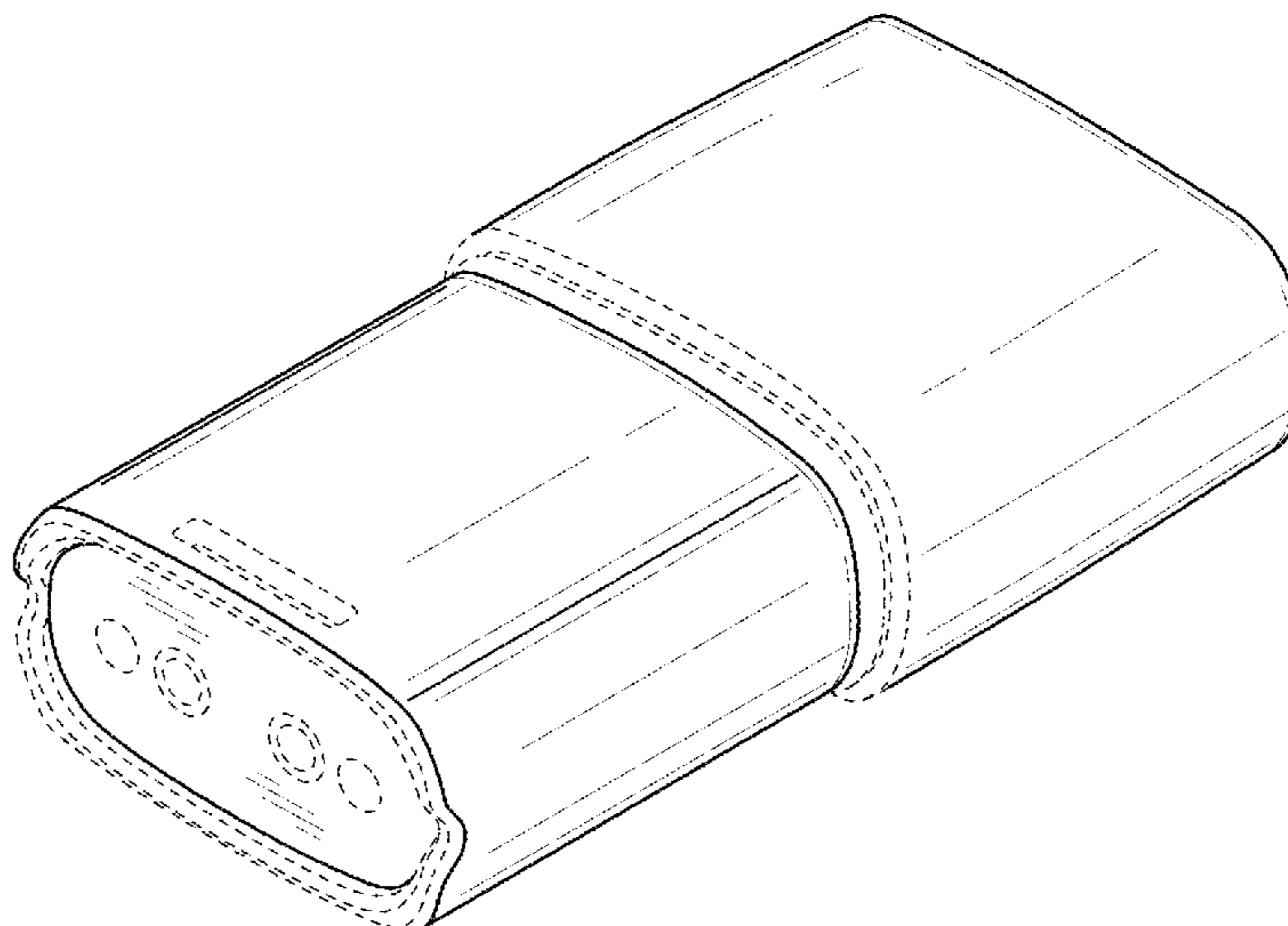
FIG. 1 is a bottom perspective view of a first embodiment of a vaporizer cartridge of our design; FIG. 2 is a top perspective view thereof; FIG. 3 is a front plan view thereof; the rear plan view is substantially the same; FIG. 4 is a side plan view thereof; the opposite side plan view is substantially the same; FIG. 5 is a top plan view thereof; and FIG. 6 is a bottom plan view thereof. FIG. 7 is a bottom perspective view of a second embodiment of a vaporizer cartridge of our design; FIG. 8 is a top perspective view thereof; FIG. 9 is a front plan view thereof; the rear plan view is substantially the same; FIG. 10 is a side plan view thereof; the opposite side plan view is substantially the same; FIG. 11 is a top plan view thereof; and, FIG. 12 is a bottom plan view thereof. The broken lines show portions of the vaporizer cartridge that form no part of the claimed design.

(56) **References Cited**

**U.S. PATENT DOCUMENTS**

D344,927 S \* 3/1994 Sands ..... D13/103  
D405,413 S \* 2/1999 Segers ..... D13/103

**1 Claim, 10 Drawing Sheets**



(56)

**References Cited**

## U.S. PATENT DOCUMENTS

D700,372 S \* 2/2014 Altman ..... D14/435.1  
D708,571 S \* 7/2014 Ji ..... D13/103  
D712,347 S \* 9/2014 Awiszus ..... D13/103  
D714,728 S \* 10/2014 Gentil ..... D13/147  
D734,259 S \* 7/2015 Cepress ..... D13/110  
D743,335 S \* 11/2015 Chang ..... D13/110  
D750,321 S \* 2/2016 Chen ..... D27/194  
D770,456 S \* 11/2016 Akana ..... D14/433  
D773,115 S \* 11/2016 Liu ..... D27/167  
D776,869 S \* 1/2017 Heidl ..... D27/163  
D790,465 S \* 6/2017 Zhao ..... D13/110  
D792,643 S \* 7/2017 Wong ..... D27/101  
D797,043 S \* 9/2017 Akana ..... D13/103  
D808,073 S \* 1/2018 Leidel ..... D27/162  
D822,271 S \* 7/2018 Eksouzian ..... D27/101  
D824,094 S \* 7/2018 Rein ..... D27/141  
D825,102 S \* 8/2018 Bowen ..... D27/167  
D827,649 S \* 9/2018 Shim ..... D14/435.1  
2007/0229025 A1 \* 10/2007 Tsai ..... H01R 13/2442  
320/111  
2016/0345626 A1 \* 12/2016 Wong ..... A24F 47/008

\* cited by examiner

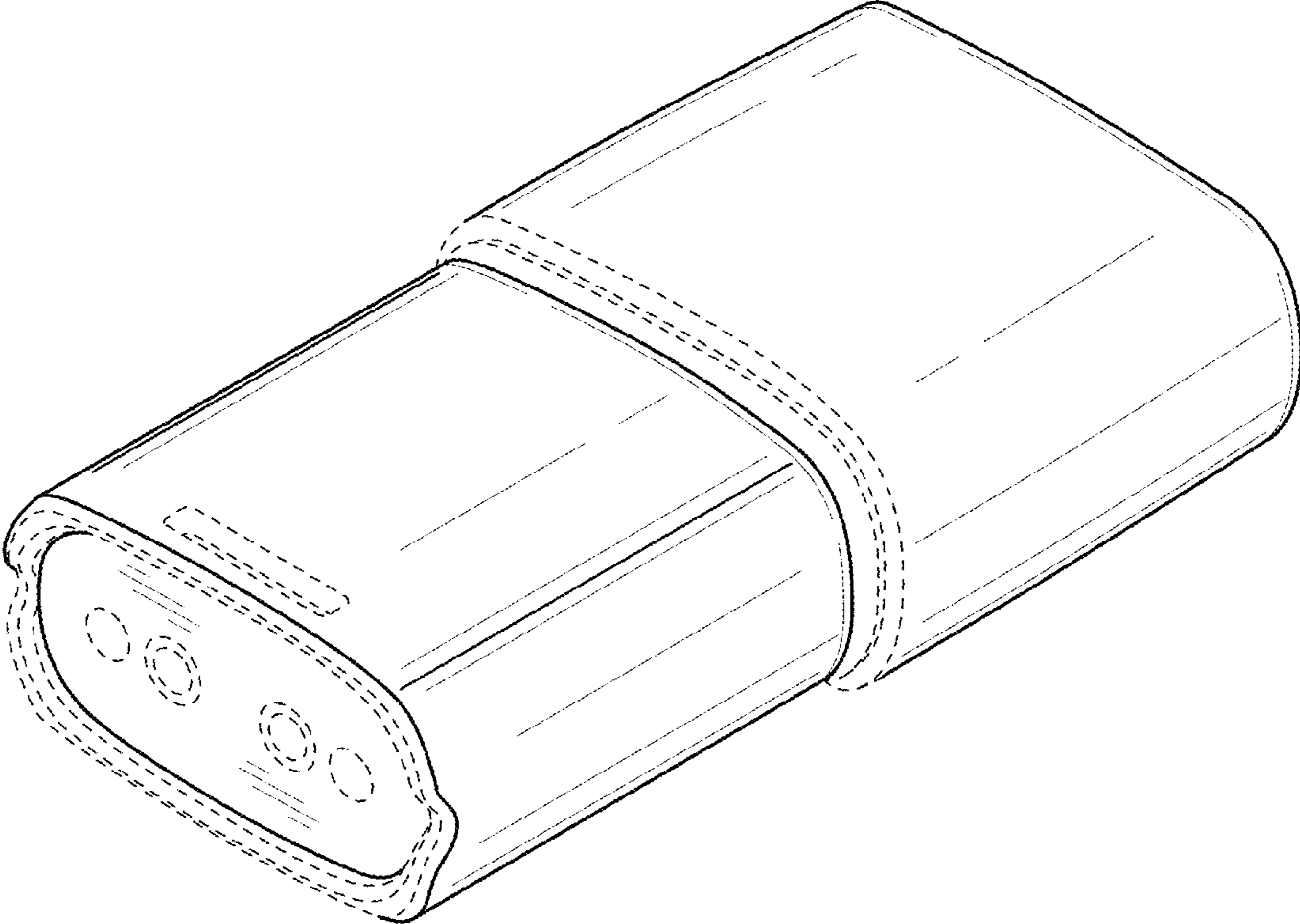


FIG. 1

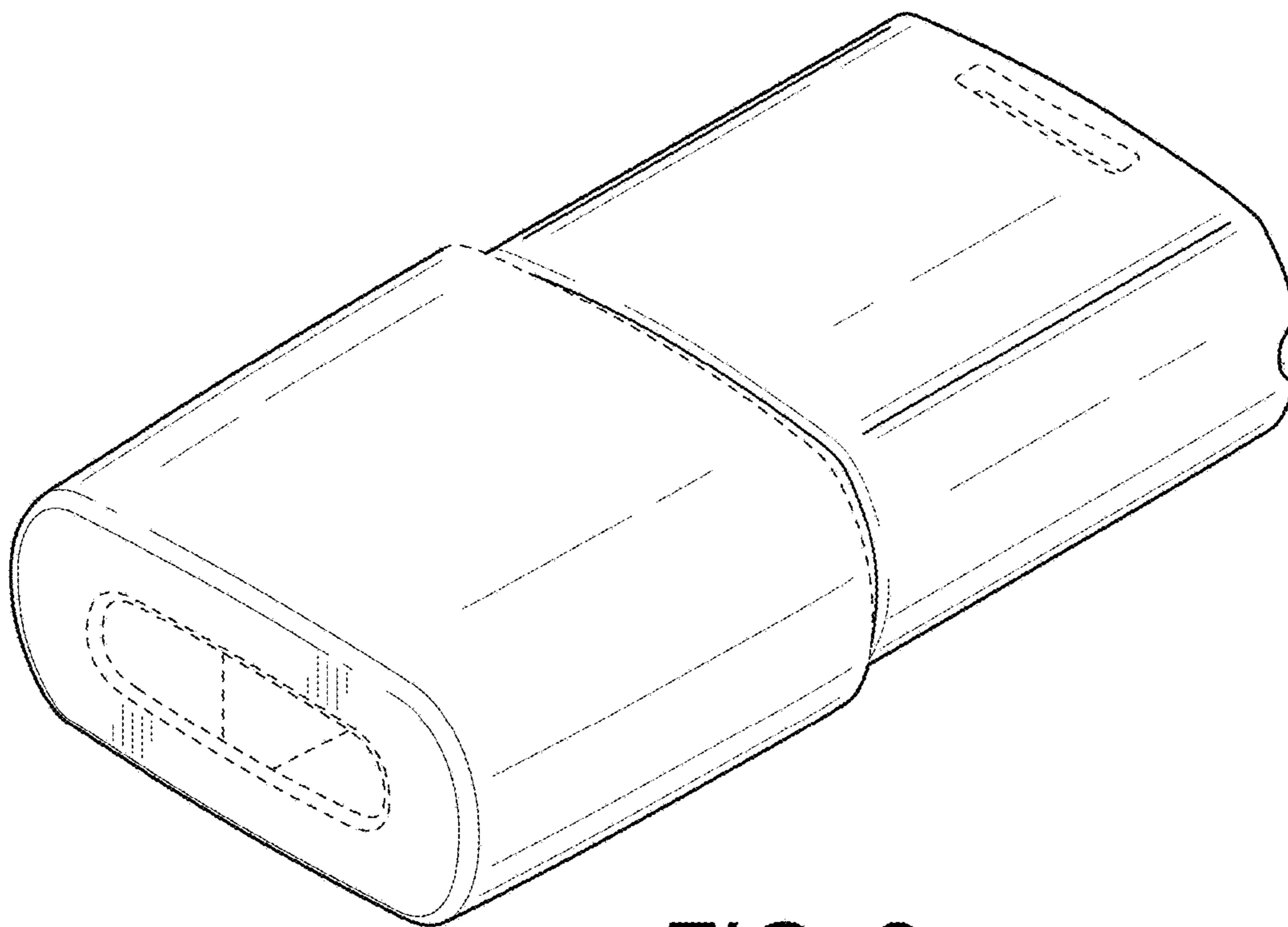


FIG. 2

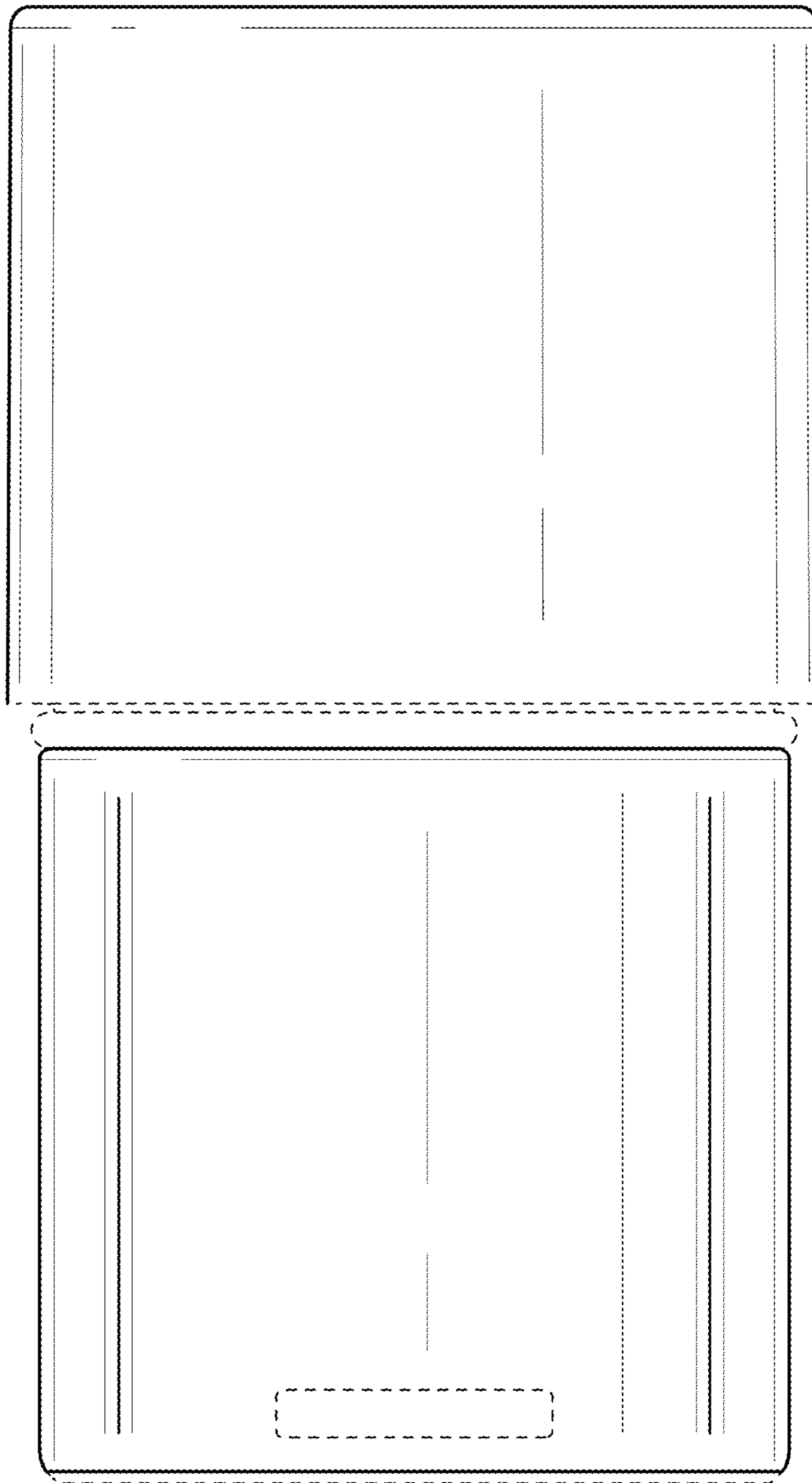


FIG. 3

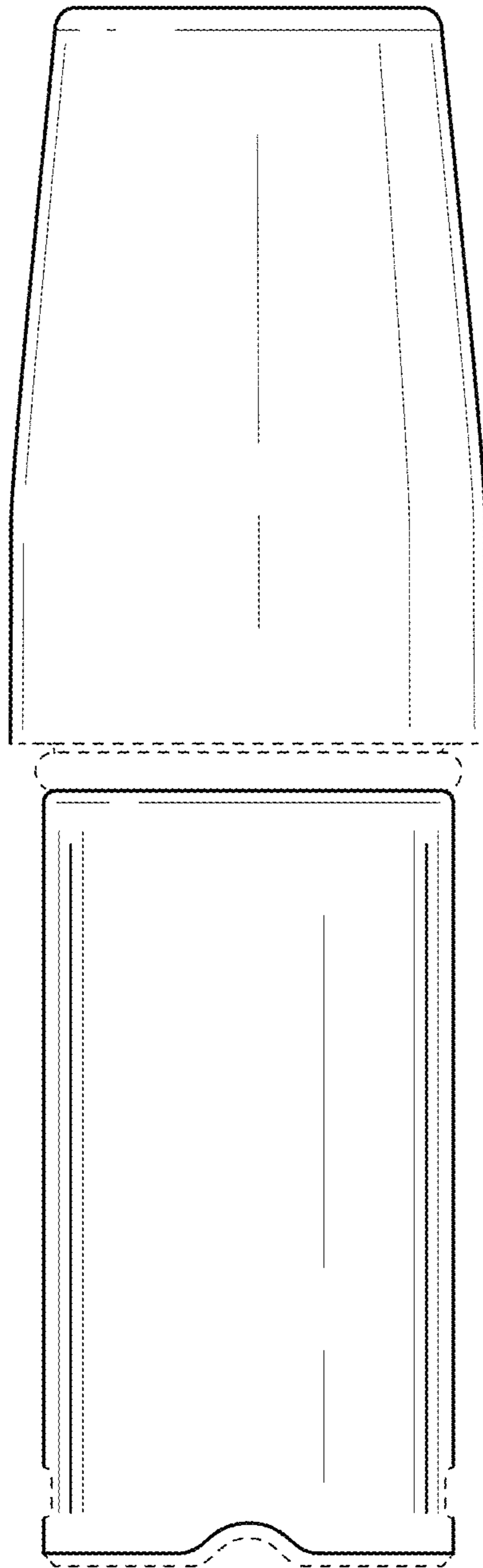


FIG. 4



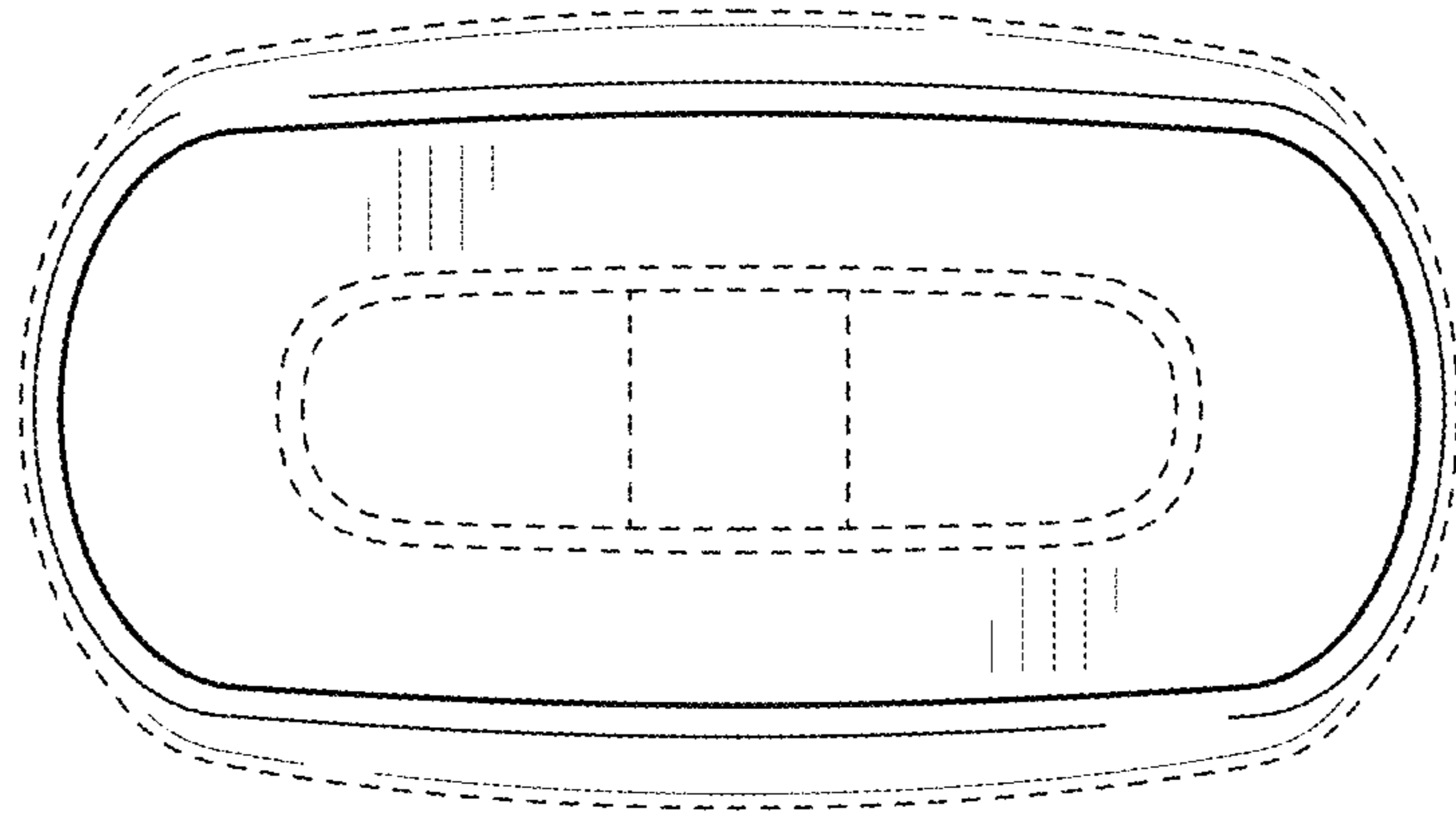


FIG. 5

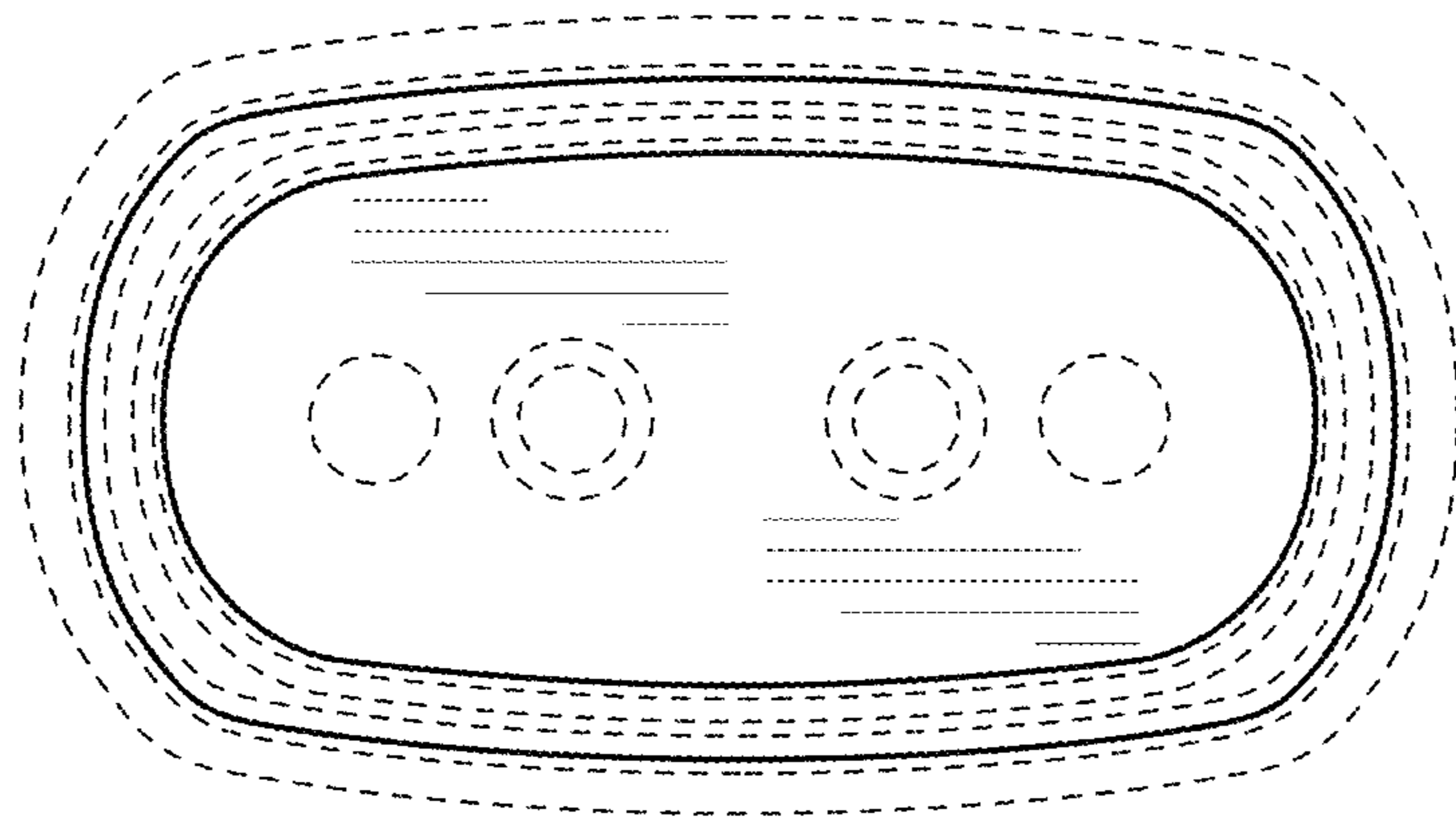


FIG. 6

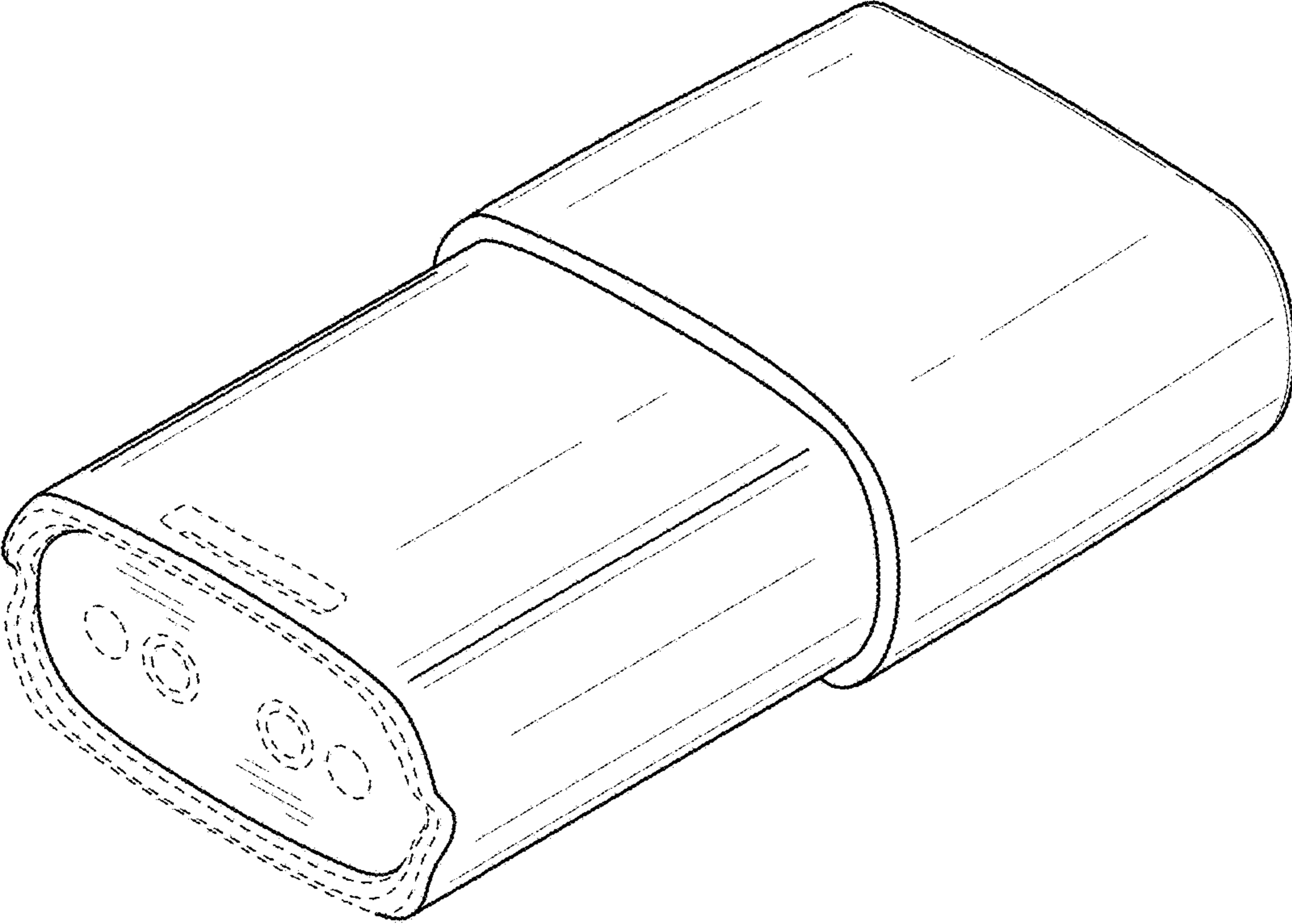


FIG. 7



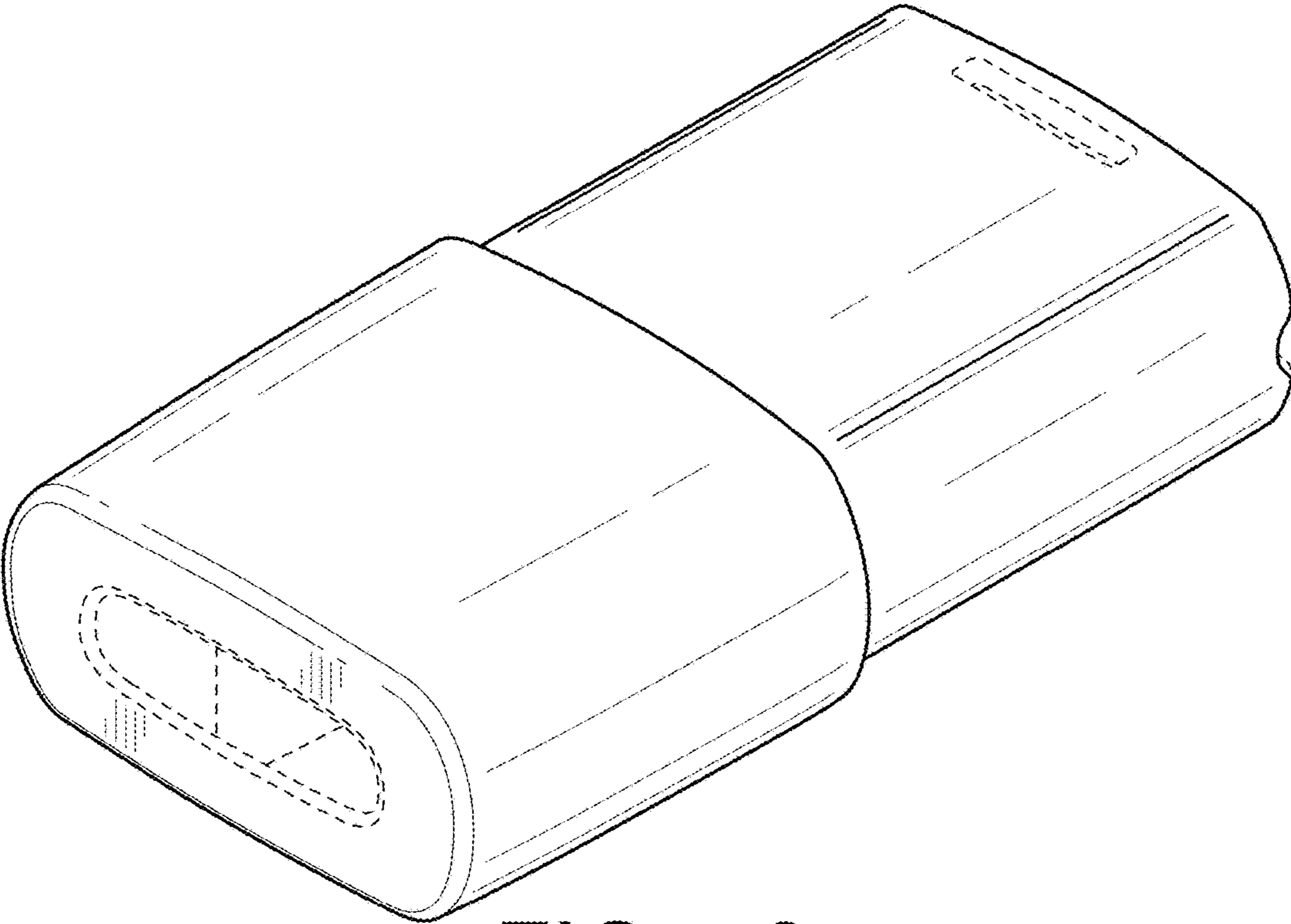


FIG. 8

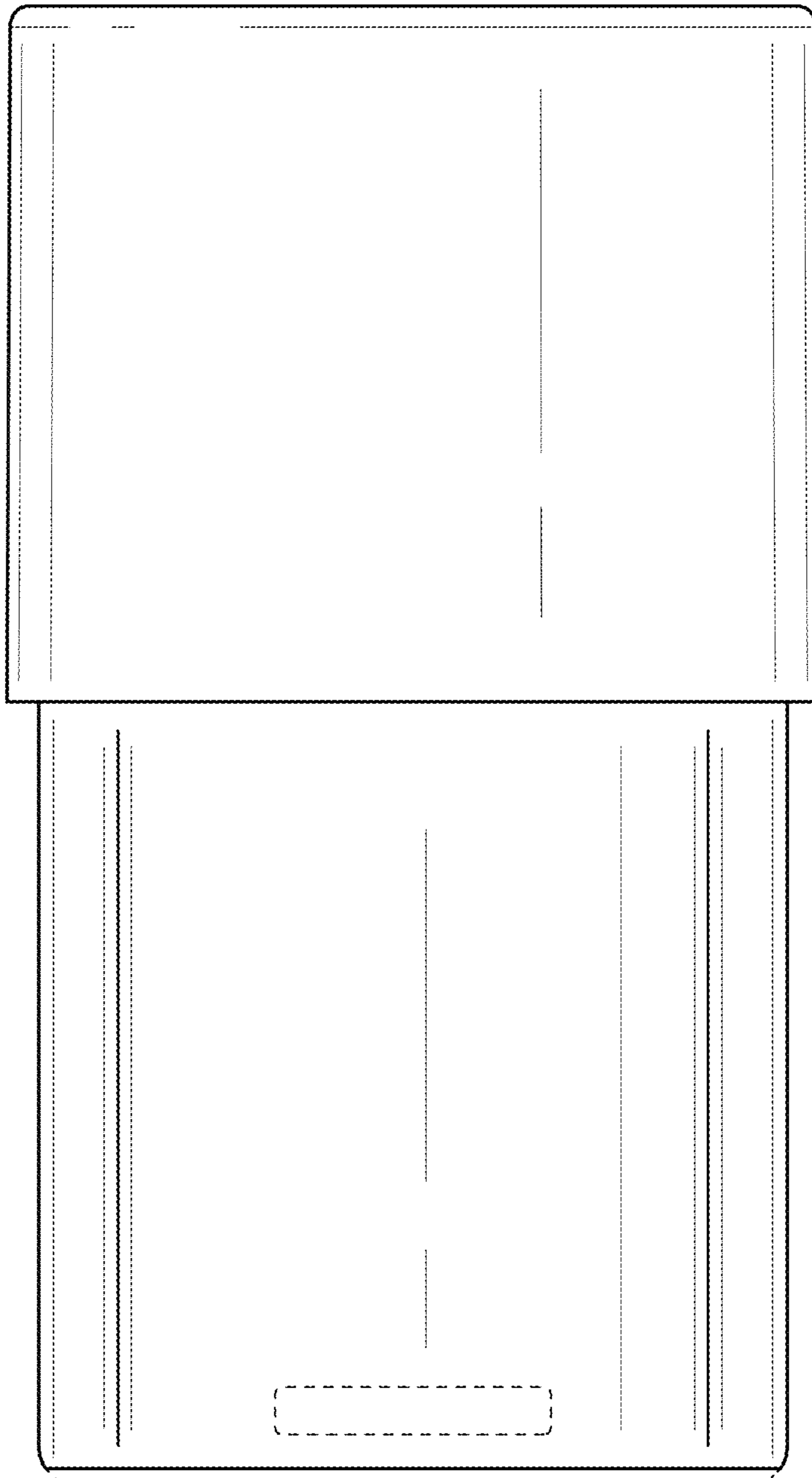


FIG. 9

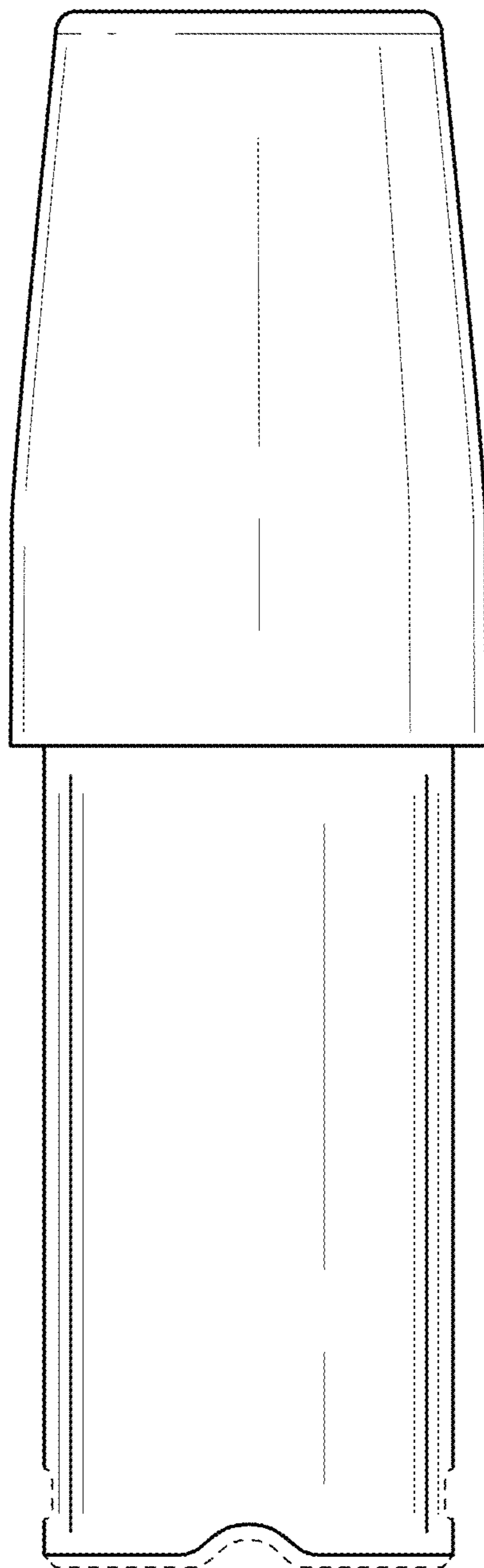


FIG. 10

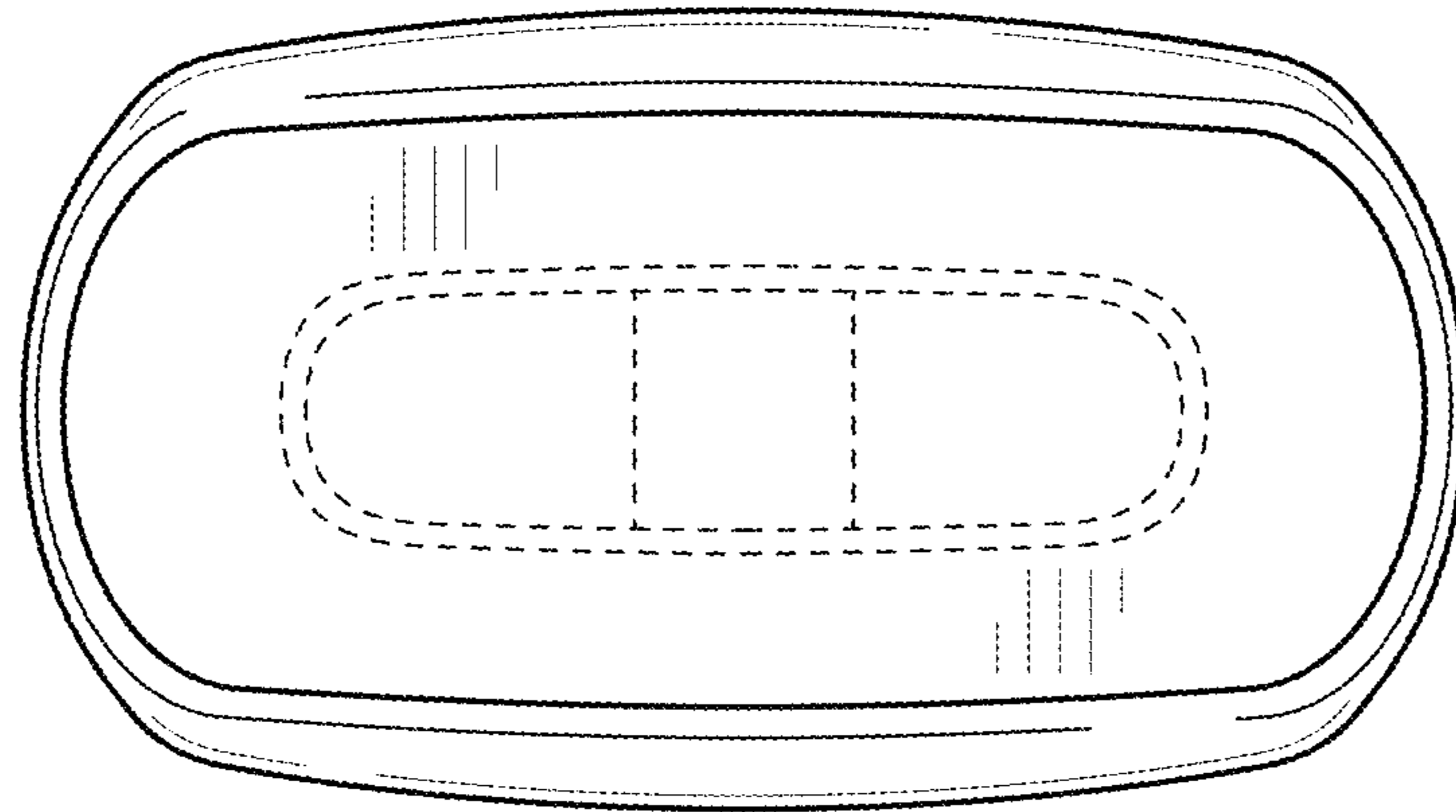


FIG. 11

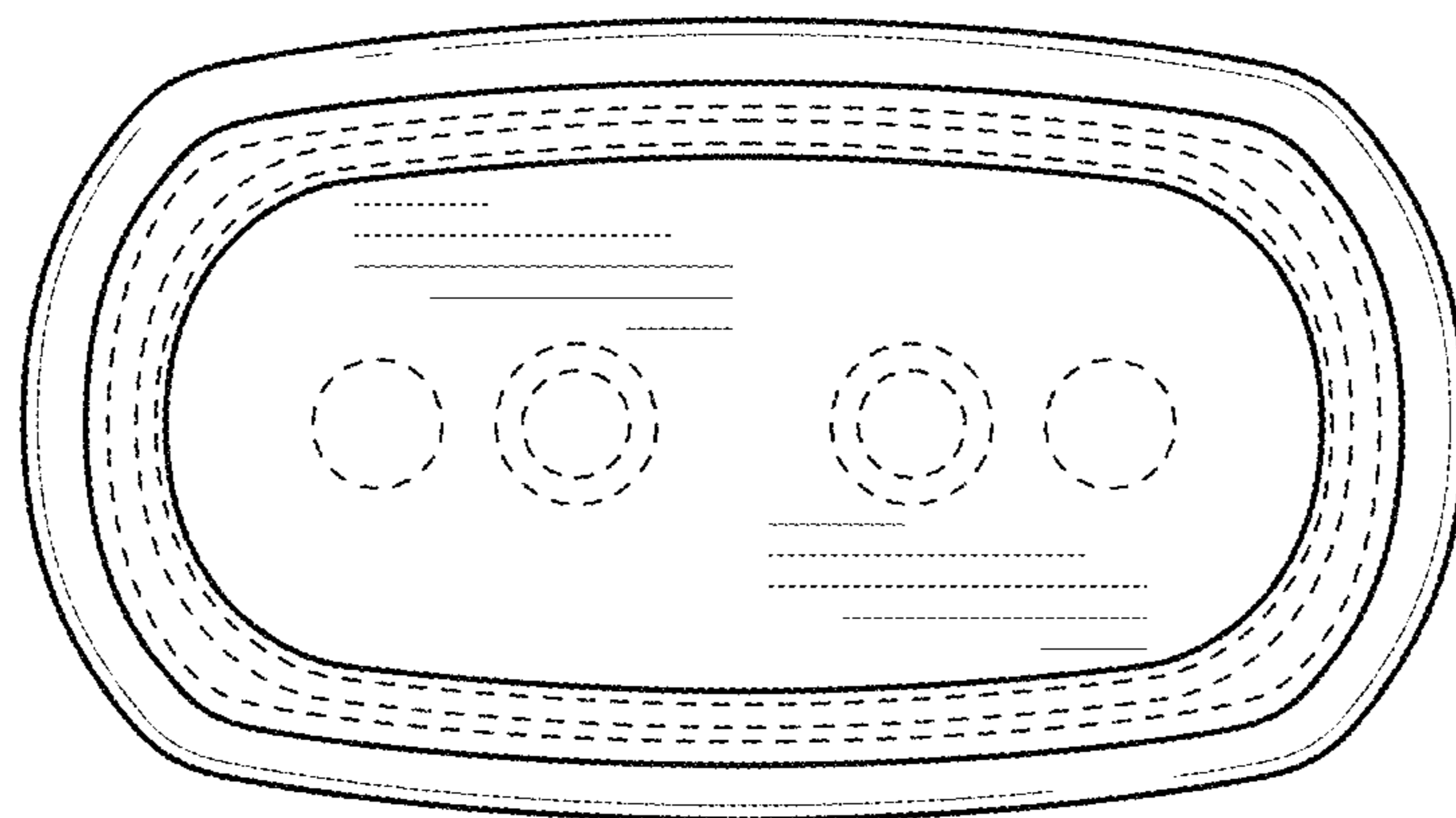


FIG. 12