



US00D870366S

(12) **United States Design Patent** (10) **Patent No.:** **US D870,366 S**
Lavanchy et al. (45) **Date of Patent:** **** Dec. 17, 2019**

(54) **HANDHELD AEROSOL GENERATOR**
(71) Applicant: **PHILIP MORRIS PRODUCTS S.A.**,
Neuchâtel (CH)
(72) Inventors: **Frédéric Lavanchy**, Chavornay (CH);
David Kuchen, Vallamand-Dessous
(CH); **Stéphane Roudier**, Colombier
(CH); **Anthony Dumville**, Epresses
(CH)
(73) Assignee: **PHILIP MORRIS PRODUCTS S.A.**,
Neuchâtel (CH)
(**) Term: **15 Years**

(21) Appl. No.: **35/503,721**
(22) Filed: **Mar. 27, 2017**

(80) **Hague Agreement Data**
Int. Filing Date: **Mar. 27, 2017**
Int. Reg. No.: **DM/096906**
Int. Reg. Date: **Mar. 27, 2017**
Int. Reg. Pub. Date: **Sep. 29, 2017**

(30) **Foreign Application Priority Data**
Sep. 28, 2016 (EM) 003398668-0001
Sep. 28, 2016 (EM) 003398668-0002
Sep. 28, 2016 (EM) 003398668-0003

(51) **LOC (12) Cl.** **27-01**
(52) **U.S. Cl.**
USPC **D27/101**
CPC **A24F 7/00** (2013.01)

(58) **Field of Classification Search**
USPC D27/101, 163-167, 169, 170; D24/110,
D24/113; 131/270-273, 329, 330, 191,
131/189, 347, 360-365
CPC A24F 7/00; A24F 7/02; A24F 7/04; A24F
47/002; A24F 47/008; A24F 47/00; A24F
47/004; A24F 47/006; A61M 15/06
See application file for complete search history.

(56) **References Cited**
U.S. PATENT DOCUMENTS
D613,902 S 4/2010 Kaljura
D634,786 S * 3/2011 Bedard D20/29
D646,431 S * 10/2011 Awty D27/101
D651,338 S * 12/2011 Awty D27/101
D652,987 S * 1/2012 Kaljura D27/101
D653,390 S * 1/2012 Kaljura D27/101
D653,802 S * 2/2012 Kaljura D27/101
D657,091 S * 4/2012 Braveman D27/101
D691,765 S * 10/2013 Tucker D27/101
D691,766 S * 10/2013 Tucker D27/101
D692,613 S * 10/2013 Morreale D27/170
D695,449 S * 12/2013 Tucker D27/101
D722,196 S * 2/2015 Tucker D27/101
(Continued)

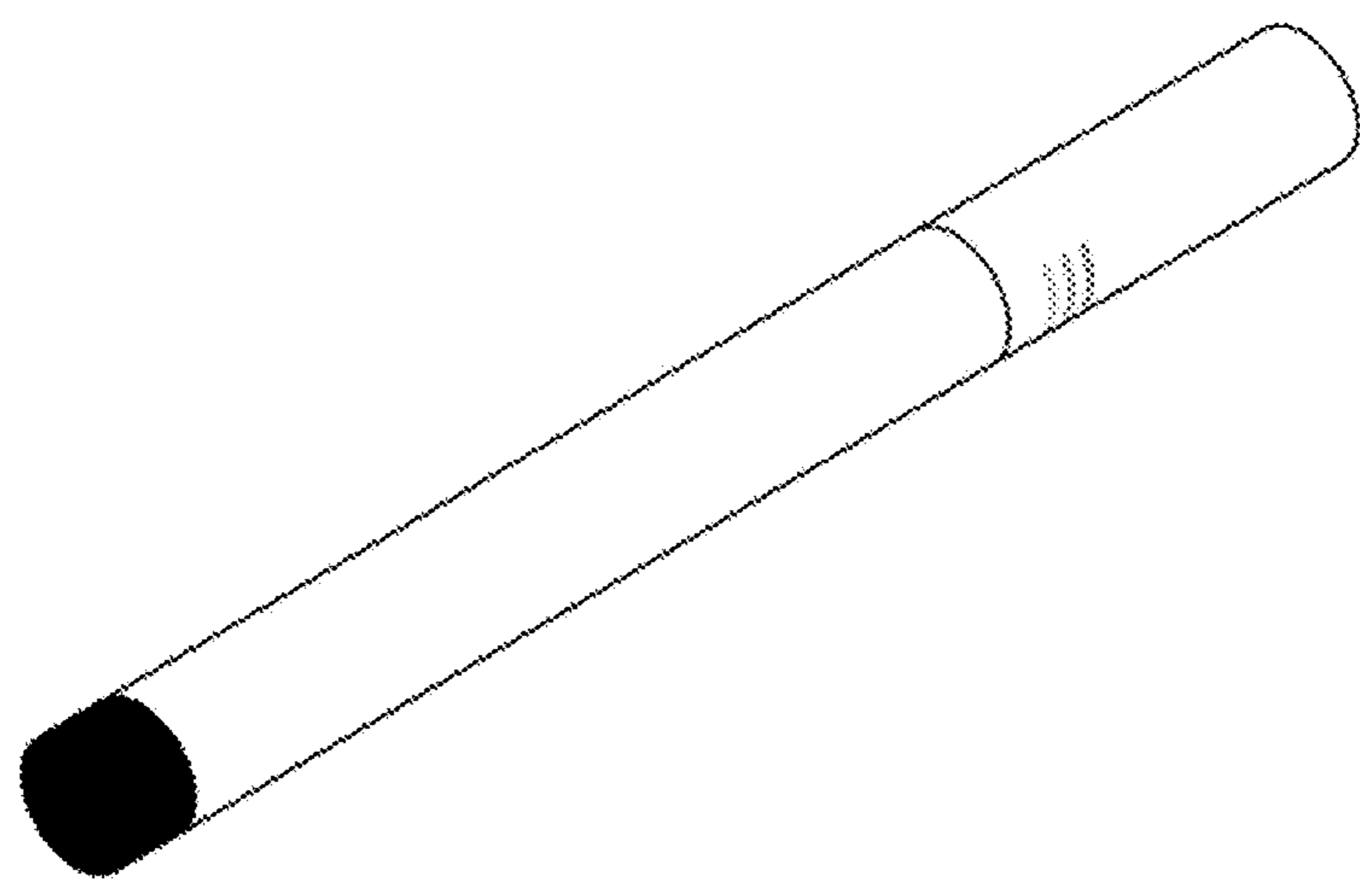
FOREIGN PATENT DOCUMENTS
TW D133645 3/2010

OTHER PUBLICATIONS
Combined Taiwanese Notice of Allowance and Search Report dated
Feb. 1, 2018 in Taiwanese Patent Application No. 106301635 (with
English translation), 3 pages.
(Continued)

Primary Examiner — Richard E Chilcot
(74) *Attorney, Agent, or Firm* — Oblon, McClelland,
Maier & Neustadt, L.L.P.

(57) **CLAIM**
The ornamental design for a handheld aerosol generator, as
shown and described.

DESCRIPTION
1. Handheld aerosol generator
Design 1: aerosol generator; **1.1** perspective view; **1.2** front
view; **1.3** rear view; **1.4** left side view; **1.5** right side view;
1.6 top plan view; **1.7** bottom plan view.
(Continued)



The solid black surface shading is used to represent the color black.

1 Claim, 7 Drawing Sheets

(56)

References Cited

U.S. PATENT DOCUMENTS

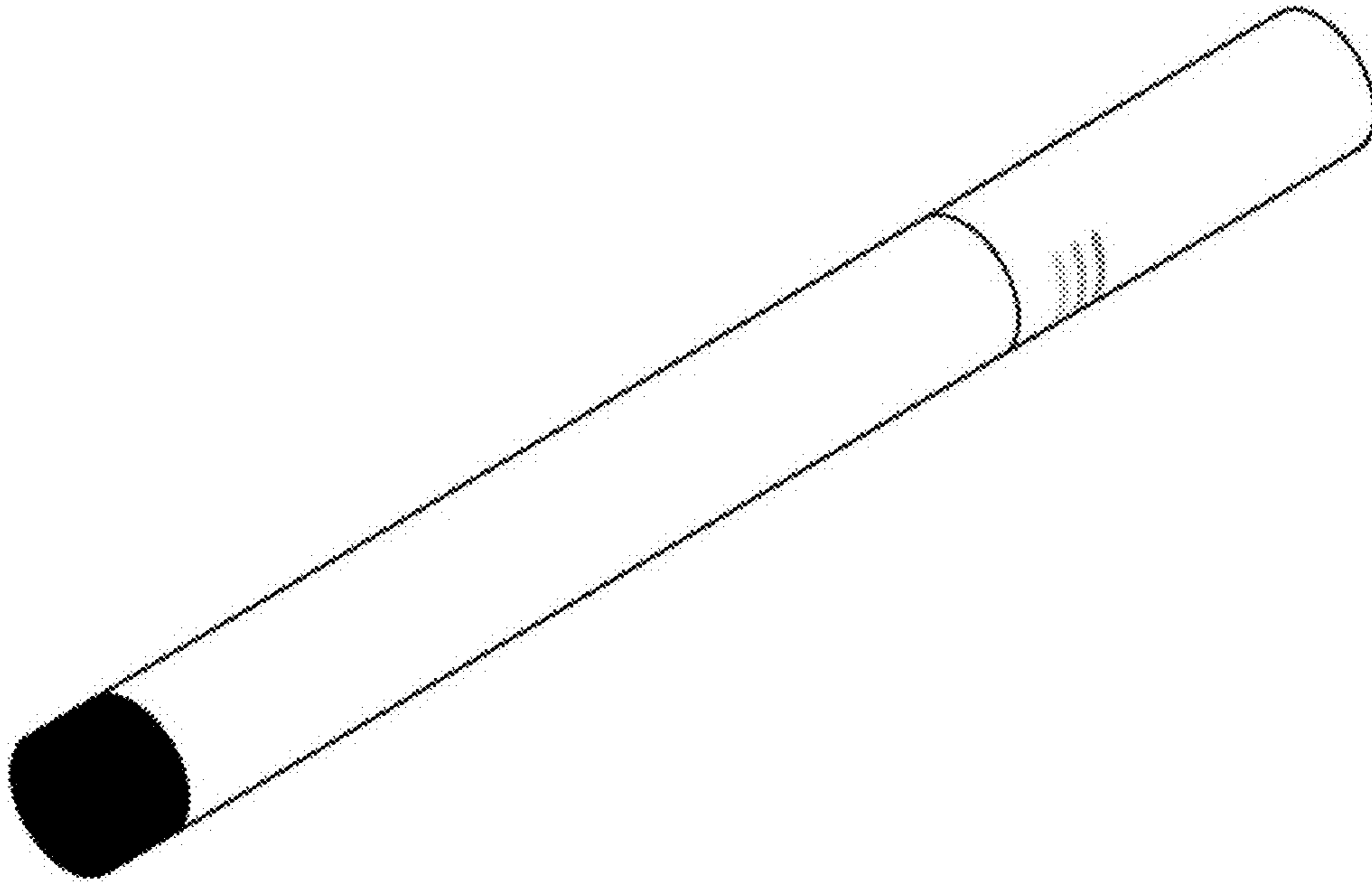
D727,564	S	*	4/2015	LaForge	D27/101
D727,565	S	*	4/2015	LaForge	D27/101
8,997,753	B2	*	4/2015	Li	H01C 17/00
						131/273
D738,036	S	*	9/2015	Tucker	D27/101
D738,566	S	*	9/2015	Tucker	D27/101
D738,567	S	*	9/2015	Tucker	D27/101
D743,097	S	*	11/2015	Tucker	D27/101
D748,323	S	*	1/2016	Tucker	D27/101
D770,086	S	*	10/2016	Tucker	D27/101
D803,475	S	*	11/2017	Scheiber	D27/101
D804,090	S	*	11/2017	Verleur	D27/101
D821,028	S	*	6/2018	Tucker	D27/101
D825,835	S	*	8/2018	Verleur	D27/101
D834,743	S	*	11/2018	Tucker	D27/101

OTHER PUBLICATIONS

Combined Taiwanese Office Action and Search Report dated Feb. 1, 2018 in Taiwanese Patent Application No. 106301633 (with English translation of the Search Report), 4 pages.

* cited by examiner

1.1



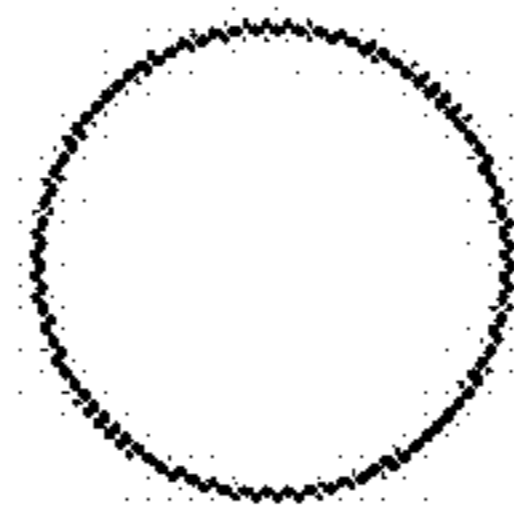
1.2



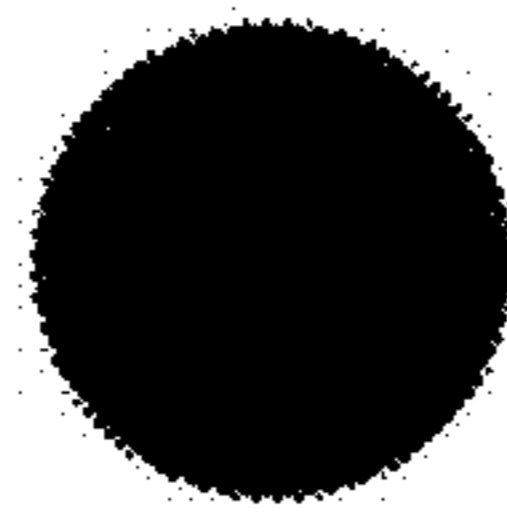
1.3



1.4



1.5



1.6



1.7

