



US00D870362S

(12) **United States Design Patent**
Sonneman

(10) **Patent No.:** **US D870,362 S**

(45) **Date of Patent:** **** Dec. 17, 2019**

(54) **CONNECTOR FOR A LIGHTING SYSTEM**

6,343,943 B1 * 2/2002 Shen H01R 25/00
439/115

(71) Applicant: **Contemporary Visions, LLC**,
Larchmont, NY (US)

6,358,070 B1 * 3/2002 Lin H01R 25/00
439/115

(72) Inventor: **Robert A. Sonneman**, Mamaroneck,
NY (US)

D569,344 S * 5/2008 Kawasaki D13/134
D659,640 S * 5/2012 Tseng D13/133
D791,400 S * 7/2017 Sonneman D26/138
D801,576 S * 10/2017 Sonneman D26/138
D813,442 S * 3/2018 Cho D26/113
D816,036 S * 4/2018 Takeda D13/133
D817,539 S * 5/2018 Cho D26/113
D855,244 S * 7/2019 Sonneman D26/113

(**) Term: **15 Years**

* cited by examiner

(21) Appl. No.: **29/674,036**

Primary Examiner — Brian N. Vinson

(22) Filed: **Dec. 19, 2018**

(74) *Attorney, Agent, or Firm* — Gottlieb, Rackman &
Reisman, P.C.

(51) **LOC (12) Cl.** **26-99**

(52) **U.S. Cl.**

USPC **D26/138**

(58) **Field of Classification Search**

USPC D26/90, 113, 133, 138; D13/133, 139.2,
D13/155

CPC F21S 2/00; F21S 4/00; F21S 4/003; F21S
4/005; F21S 4/006; F21S 4/007; F21S
4/008; F21S 6/00; F21S 8/00; F21S
8/024; F21S 8/026; F21S 8/031; F21S
8/033; F21S 8/035-037; F21S 8/04; F21S
8/043; F21S 8/063; H01R 25/00; H01R
25/14; H01R 25/40

See application file for complete search history.

(56) **References Cited**

U.S. PATENT DOCUMENTS

5,336,100 A * 8/1994 Gabrius H01R 25/14
439/115

D402,964 S * 12/1998 Kuchar H01R 25/145
D13/155

(57) **CLAIM**

The ornamental design for a connector for a lighting system,
as shown and described.

DESCRIPTION

FIG. 1 is a perspective view of a connector for a light system
showing my new design;

FIG. 2 is a first side elevational view thereof;

FIG. 3 is a second side elevational view thereof;

FIG. 4 is a third side elevational view thereof;

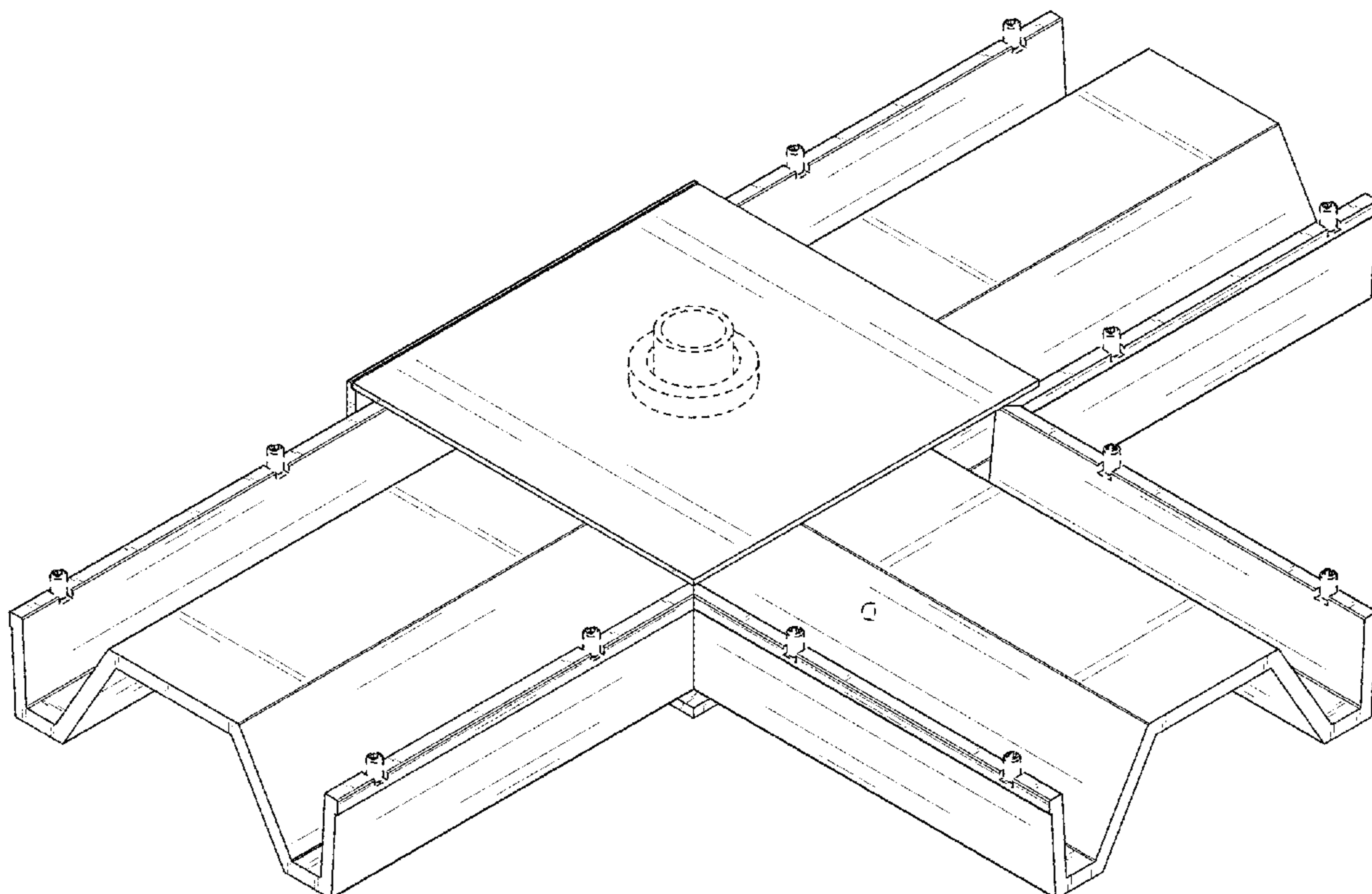
FIG. 5 is a fourth side elevational view thereof;

FIG. 6 is a top plan view thereof; and,

FIG. 7 is a bottom plan view thereof.

The broken lines shown in the drawings are included for the
purpose of illustrating elements of the connector for a
lighting system and form no part of the claimed design.

1 Claim, 7 Drawing Sheets



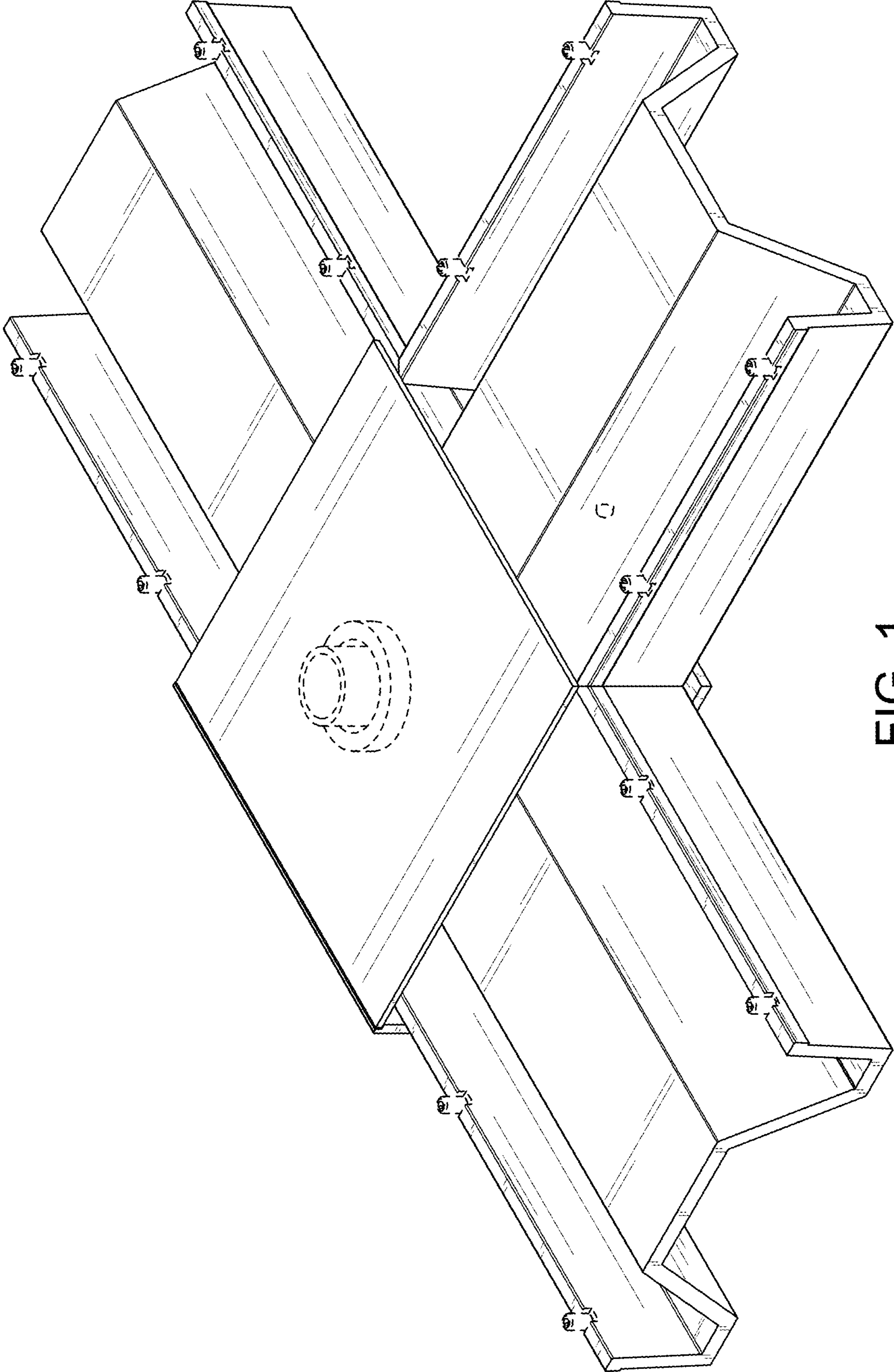


FIG. 1

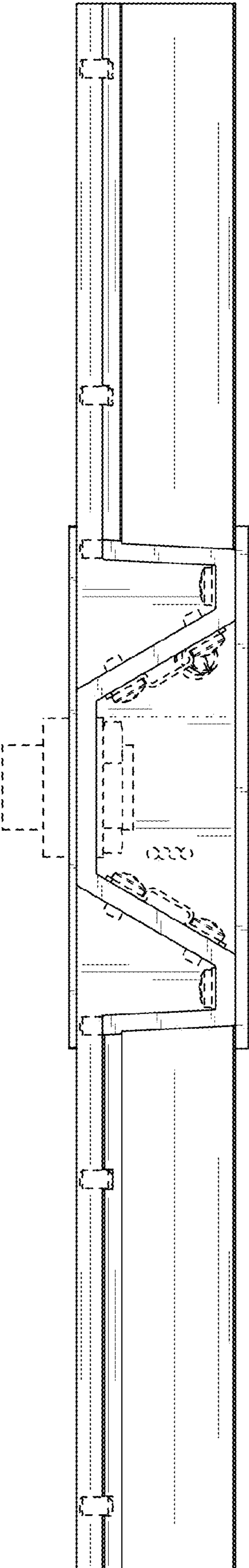


FIG. 2

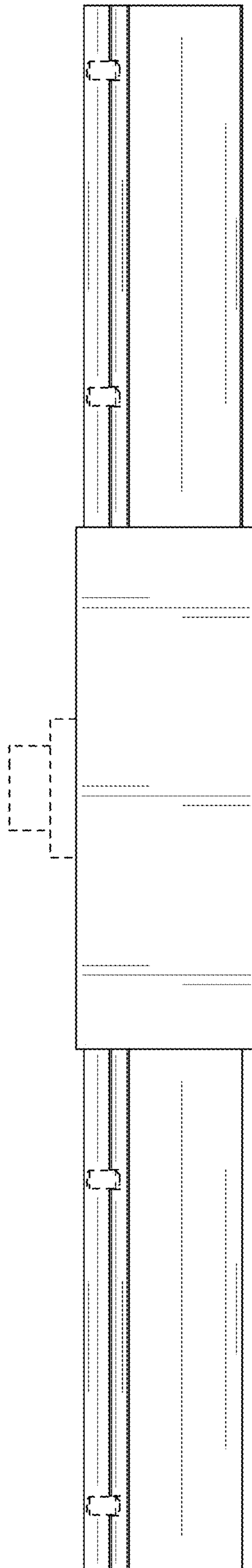


FIG. 3

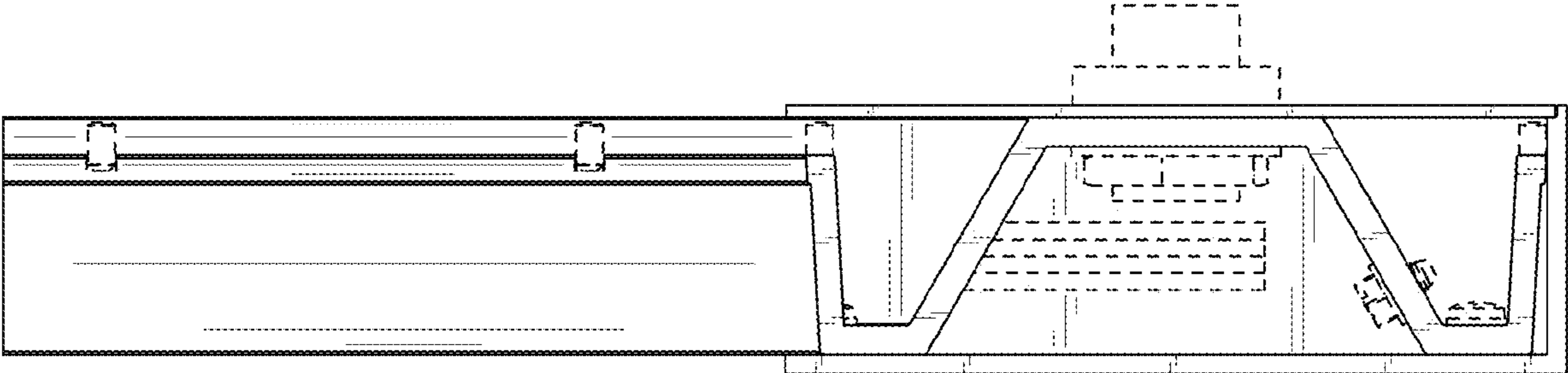


FIG. 4

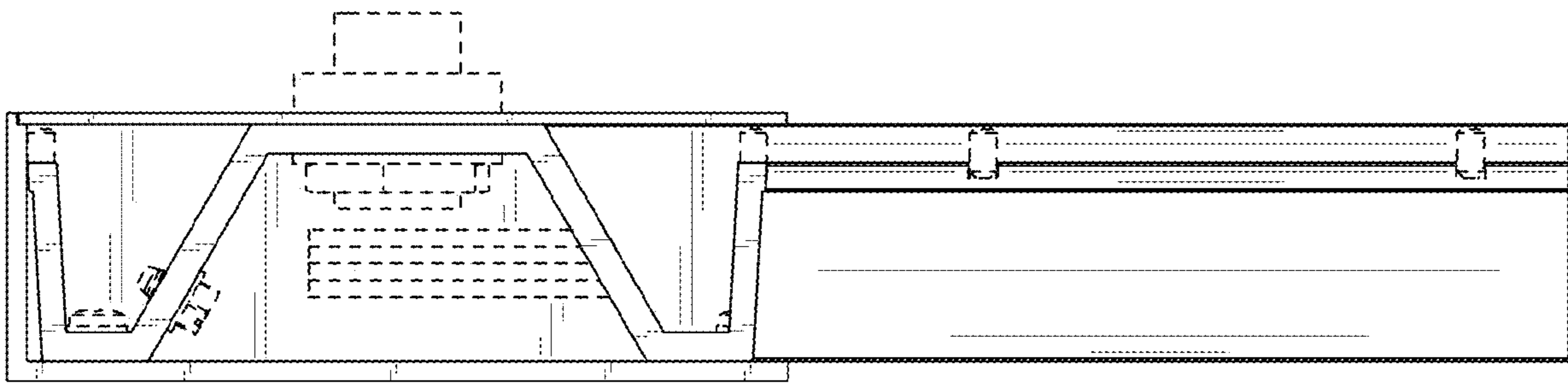


FIG. 5

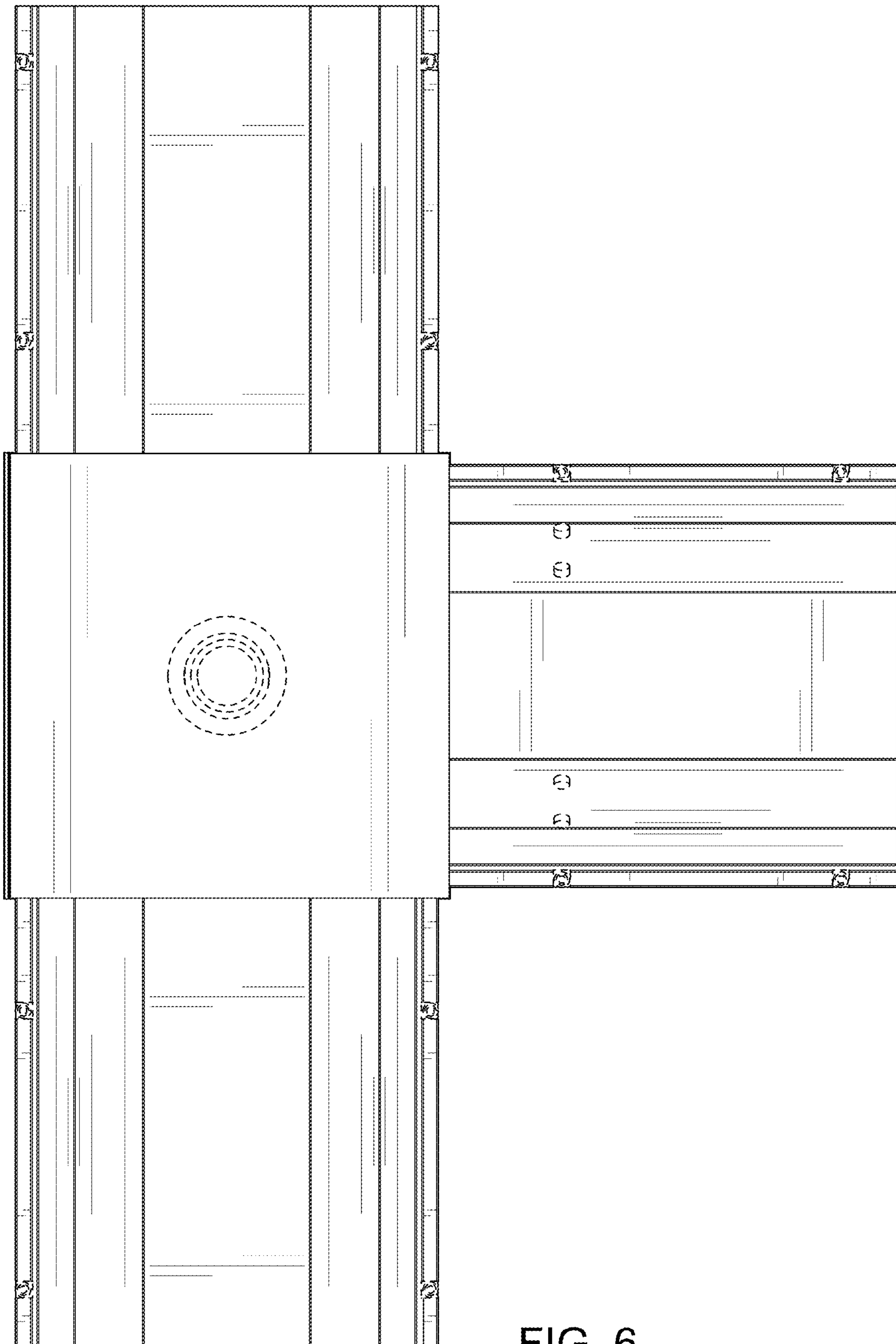


FIG. 6



FIG. 7