



US00D870361S

(12) **United States Design Patent** (10) **Patent No.:** **US D870,361 S**  
**Sonneman** (45) **Date of Patent:** **\*\* Dec. 17, 2019**

- (54) **CONNECTOR FOR A LIGHTING SYSTEM** 6,343,943 B1 \* 2/2002 Shen ..... H01R 25/00  
439/115
- (71) Applicant: **Contemporary Visions, LLC,** 6,358,070 B1 \* 3/2002 Lin ..... H01R 25/00  
Larchmont, NY (US) 439/115
- (72) Inventor: **Robert A. Sonneman,** Mamaroneck, D569,344 S \* 5/2008 Kawasaki ..... D13/134  
NY (US) D659,640 S \* 5/2012 Tseng ..... D13/133  
D791,400 S \* 7/2017 Sonneman ..... D26/138  
D801,576 S \* 10/2017 Sonneman ..... D26/138  
D813,442 S \* 3/2018 Cho ..... D26/113  
D816,036 S \* 4/2018 Takeda ..... D13/133  
D817,539 S \* 5/2018 Cho ..... D26/113  
D855,244 S \* 7/2019 Sonneman ..... D26/113

(\*\*) Term: **15 Years**

\* cited by examiner

(21) Appl. No.: **29/674,035**

*Primary Examiner* — Brian N. Vinson

(22) Filed: **Dec. 19, 2018**

(74) *Attorney, Agent, or Firm* — Gottlieb, Rackman & Reisman, P.C.

(51) **LOC (12) Cl.** ..... **26-99**

(52) **U.S. Cl.**  
USPC ..... **D26/138**

(58) **Field of Classification Search**  
USPC ..... D26/90, 113, 133, 138; D13/133, 139.2,  
D13/155

CPC ..... F21S 2/00; F21S 4/00; F21S 4/003; F21S  
4/005; F21S 4/006; F21S 4/007; F21S  
4/008; F21S 6/00; F21S 8/00; F21S  
8/024; F21S 8/026; F21S 8/031; F21S  
8/033; F21S 8/035-037; F21S 8/04; F21S  
8/043; F21S 8/063; H01R 25/00; H01R  
25/14; H01R 25/40

See application file for complete search history.

(56) **References Cited**

**U.S. PATENT DOCUMENTS**

- 5,336,100 A \* 8/1994 Gabrius ..... H01R 25/14  
439/115
- D402,964 S \* 12/1998 Kuchar ..... H01R 25/145  
D13/155

(57) **CLAIM**

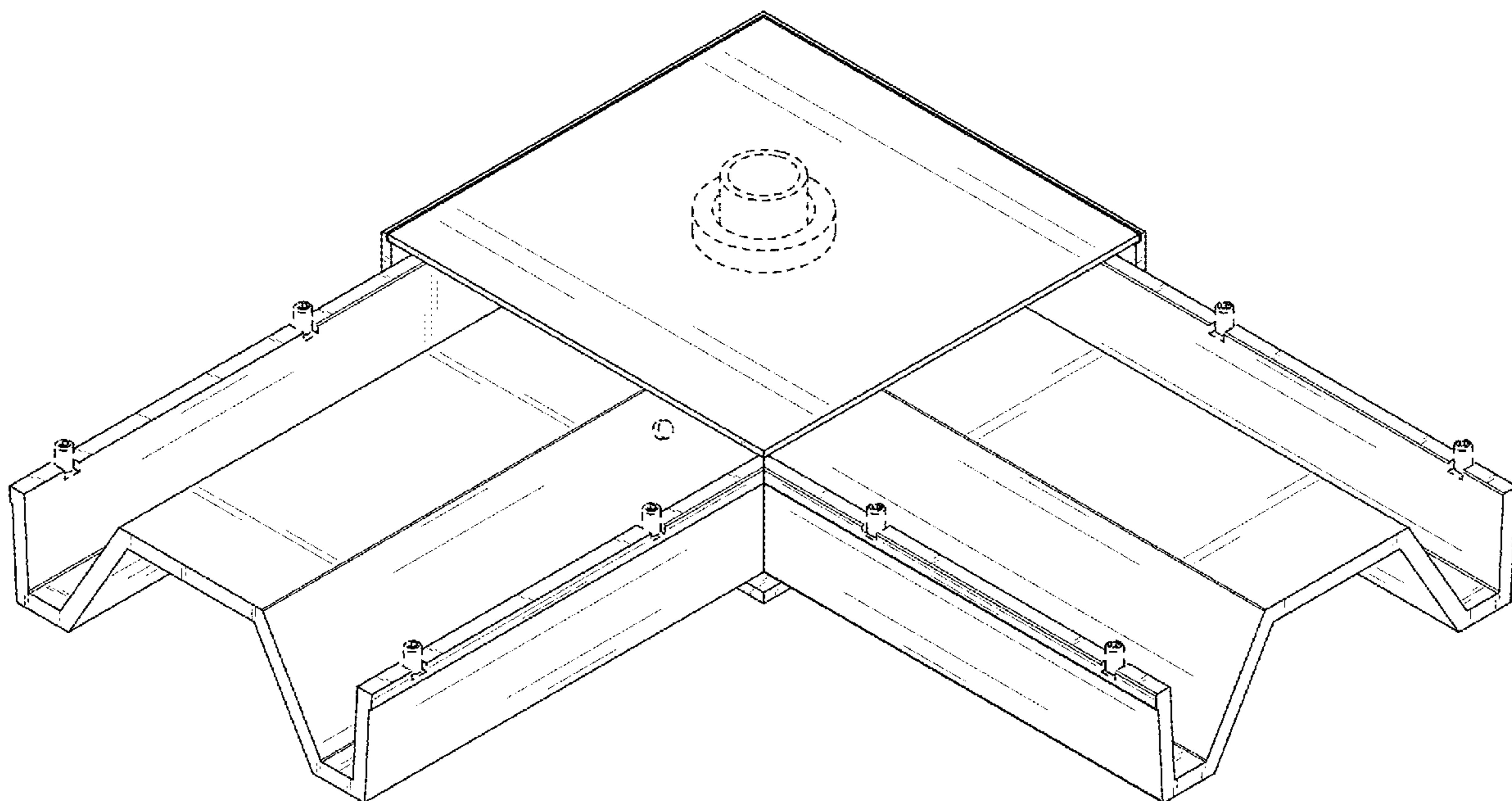
The ornamental design for a connector for a lighting system, as shown and described.

**DESCRIPTION**

FIG. 1 is a perspective view of a connector for a light system showing my new design;  
FIG. 2 is a first side elevational view thereof;  
FIG. 3 is a second side elevational view thereof;  
FIG. 4 is a third side elevational view thereof;  
FIG. 5 is a fourth side elevational view thereof;  
FIG. 6 is a top plan view thereof; and,  
FIG. 7 is a bottom plan view thereof.

The broken lines shown in the drawings are included for the purpose of illustrating elements of the connector for a lighting system and form no part of the claimed design.

**1 Claim, 7 Drawing Sheets**



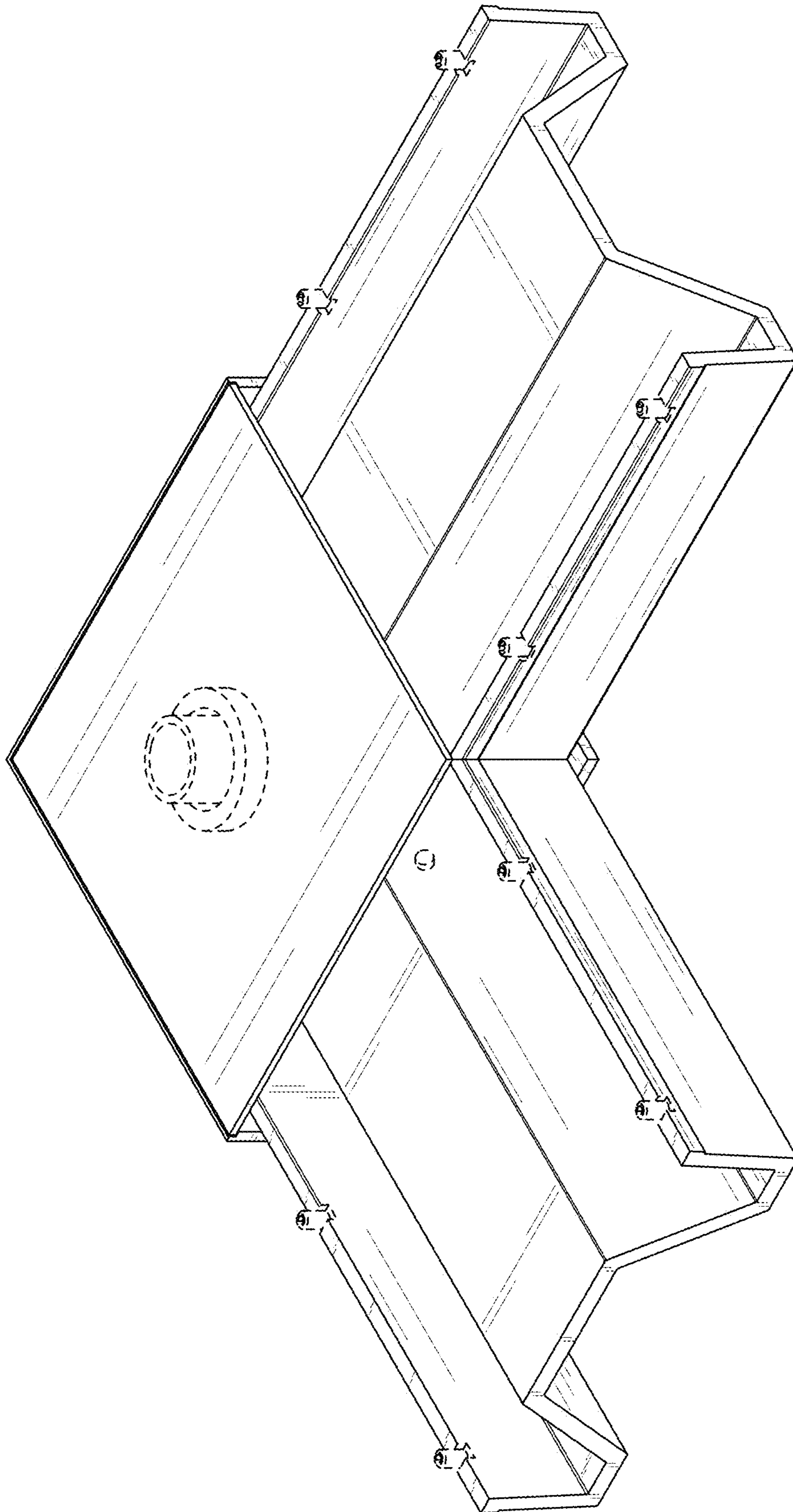


FIG. 1

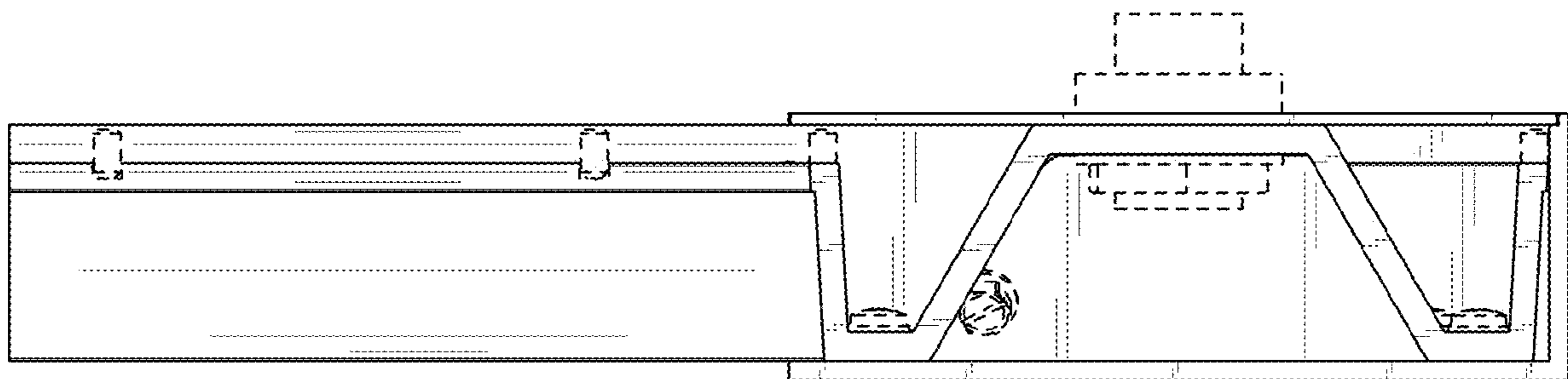


FIG. 2

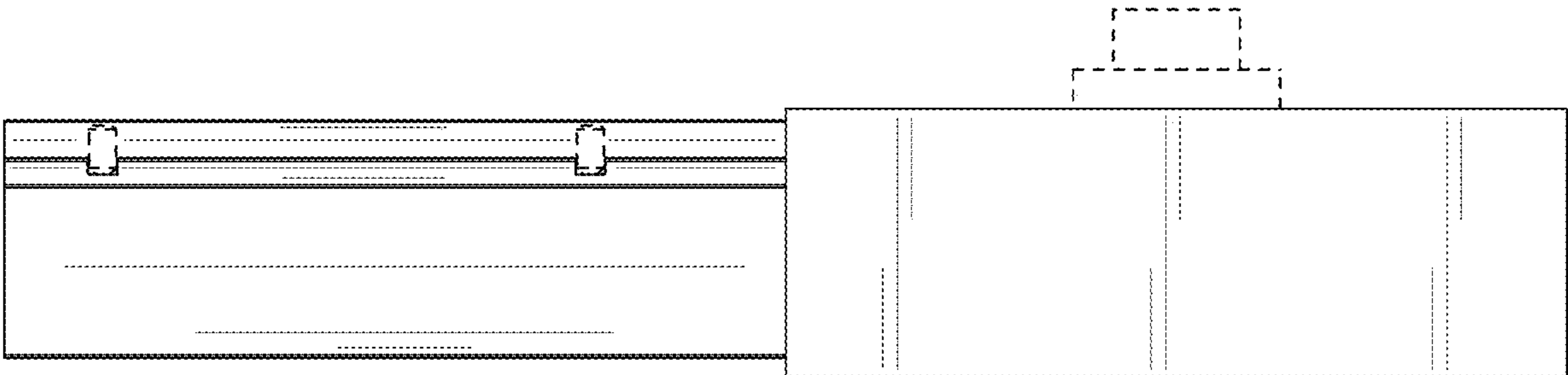


FIG. 3

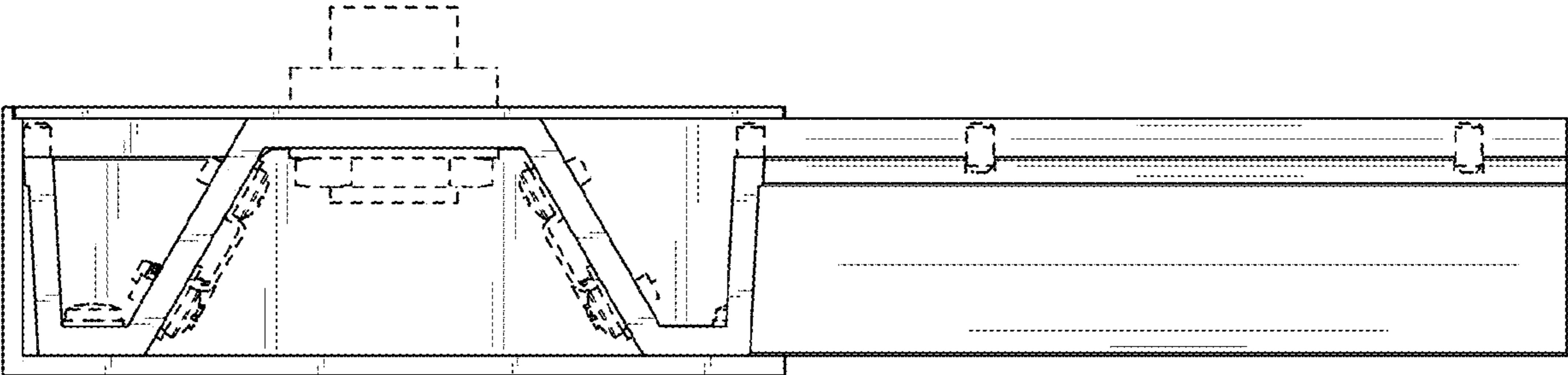


FIG. 4

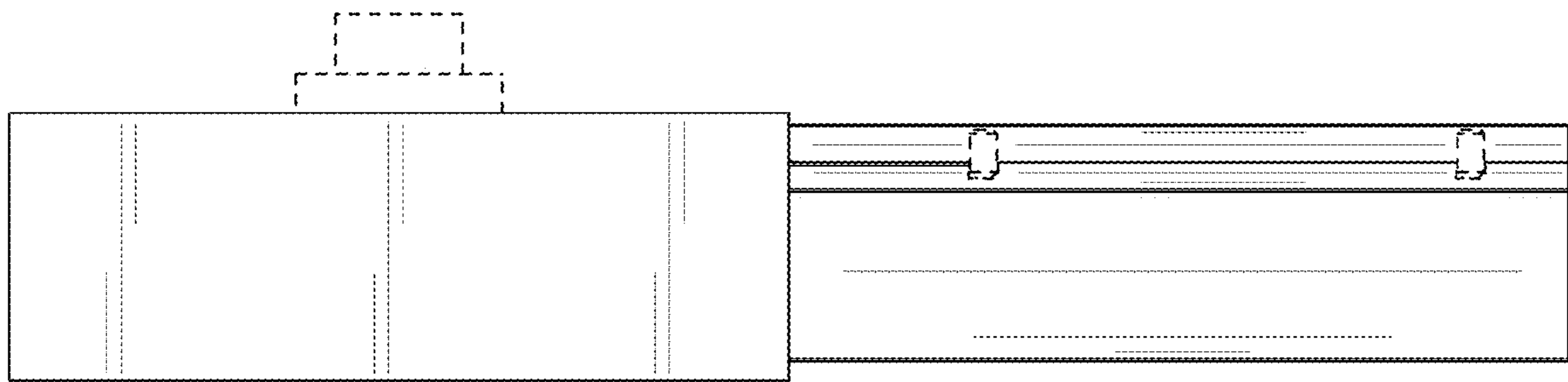


FIG. 5

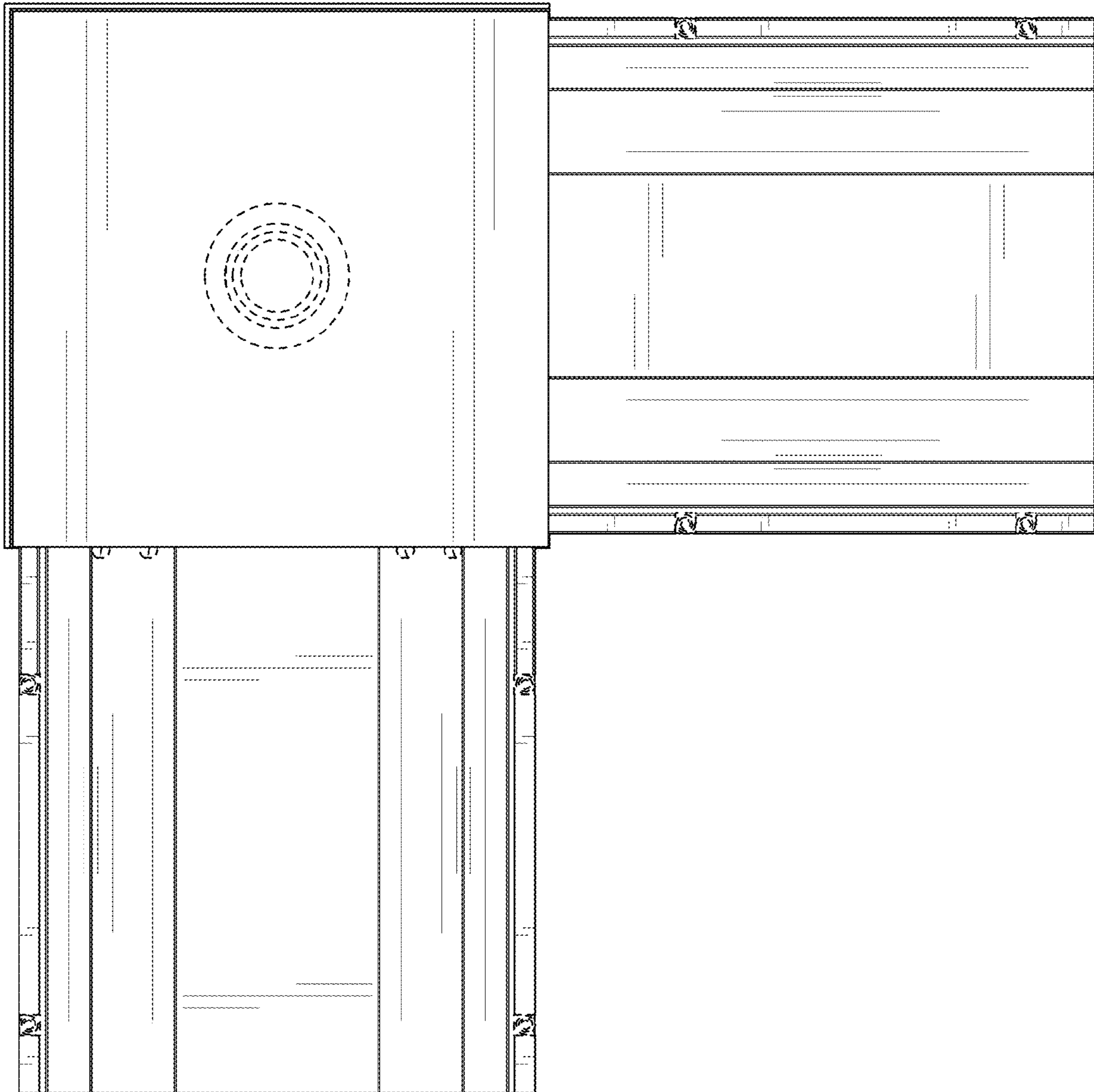


FIG. 6



FIG. 7