



US00D870357S

(12) **United States Design Patent**
Hu

(10) **Patent No.:** **US D870,357 S**

(45) **Date of Patent:** **** Dec. 17, 2019**

(54) **LIGHT BLENDING PANEL FOR LED GROW LIGHT**

(71) Applicant: **Dongwen Hu**, Sichuan (CN)

(72) Inventor: **Dongwen Hu**, Sichuan (CN)

(**) Term: **15 Years**

(21) Appl. No.: **29/622,196**

(22) Filed: **Oct. 16, 2017**

(51) **LOC (12) Cl.** **26-99**

(52) **U.S. Cl.**
USPC **D26/120**

(58) **Field of Classification Search**
USPC D26/24, 39, 59, 63, 118, 120, 141, 138,
D26/139, 140, 142, 151, 152
CPC F24S 4/001; F24S 4/005; F24S 8/00; F24S
8/04; F24S 8/043; F24S 8/046; F24S
8/06-065; F24S 13/02; F24S 13/04; F24S
13/06

See application file for complete search history.

(56) **References Cited**

U.S. PATENT DOCUMENTS

D568,517 S * 5/2008 Redfern D26/63
D578,237 S * 10/2008 Engel D26/63

D604,894 S * 11/2009 Peifer D26/141
D684,308 S * 6/2013 Teller D26/118
D776,497 S * 1/2017 Livingston D29/118
D776,665 S * 1/2017 Karlsson D26/141
D778,487 S * 2/2017 Salomon D26/138

* cited by examiner

Primary Examiner — Brian N. Vinson

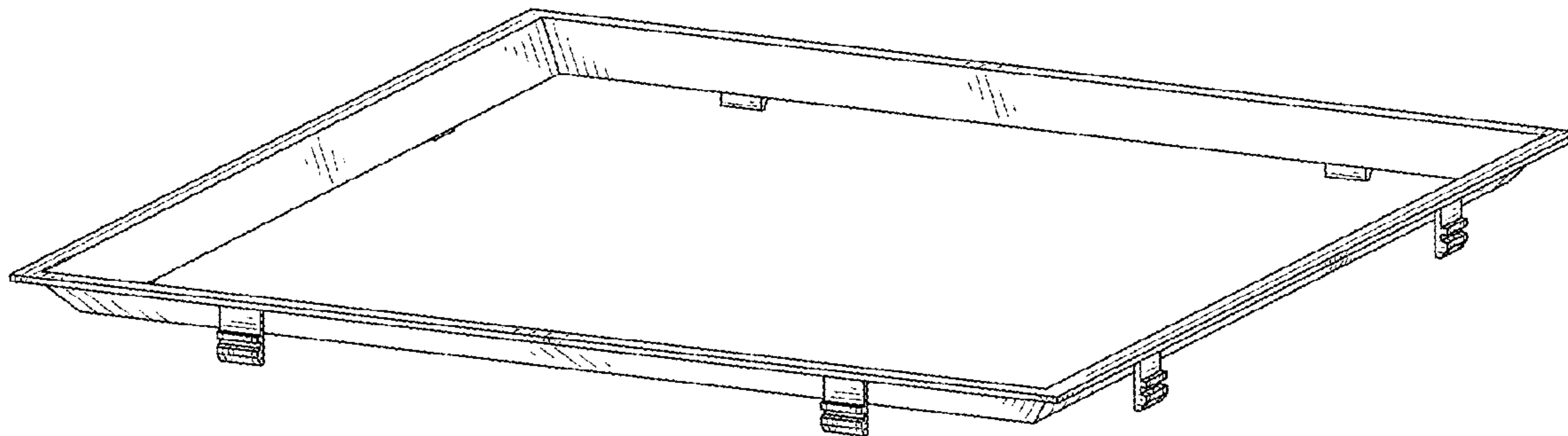
(57) **CLAIM**

The ornamental design for a light blending panel for LED grow light, as shown.

DESCRIPTION

FIG. 1 is a front elevational view of a light blending panel for LED grow light showing my new design; FIG. 2 is a rear elevational view thereof; FIG. 3 is a left side view thereof; FIG. 4 is a right side view thereof; FIG. 5 is a top plan view thereof; FIG. 6 is a bottom plan view thereof; and, FIG. 7 is a perspective view thereof.

1 Claim, 4 Drawing Sheets



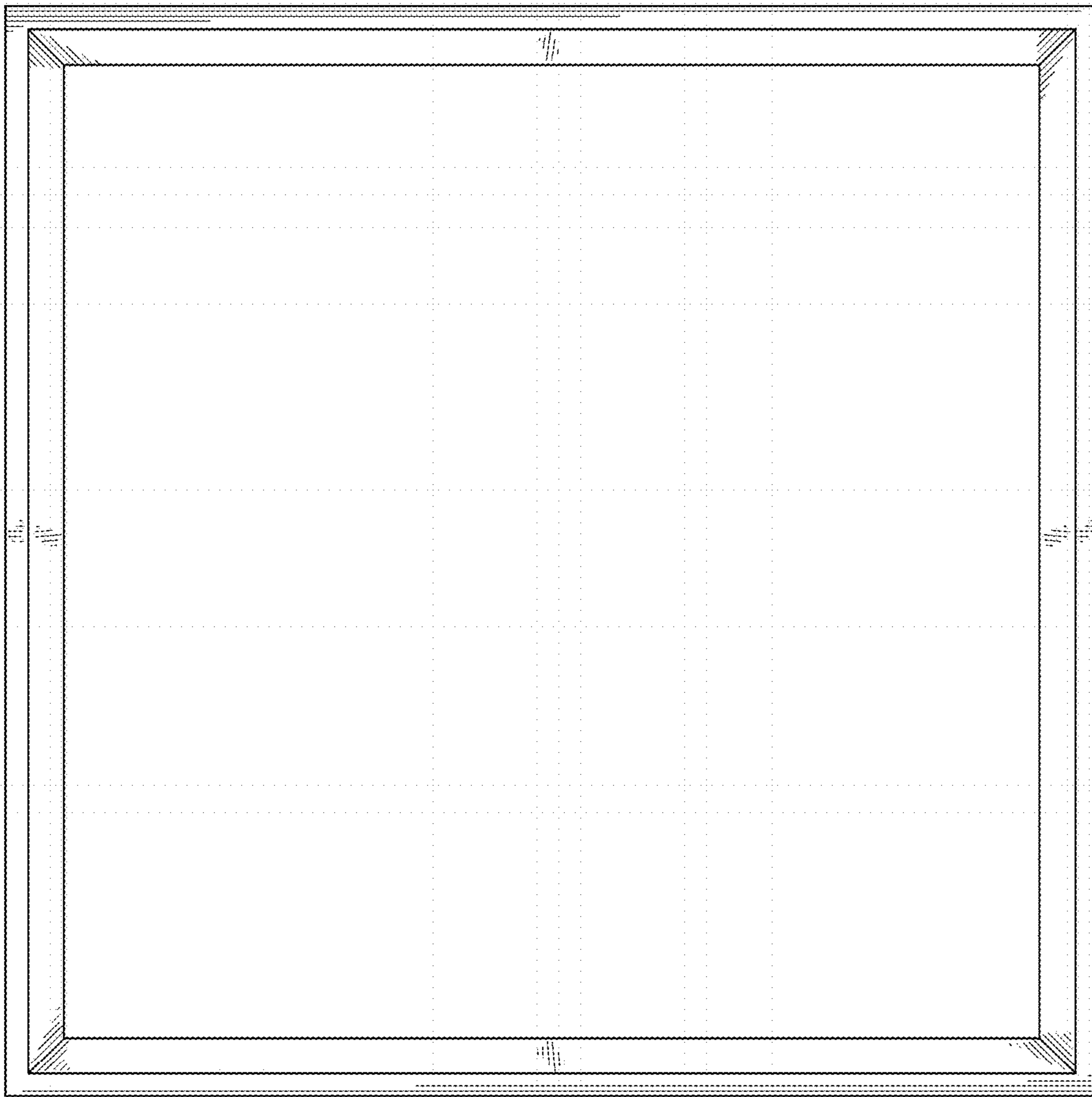


FIG. 1

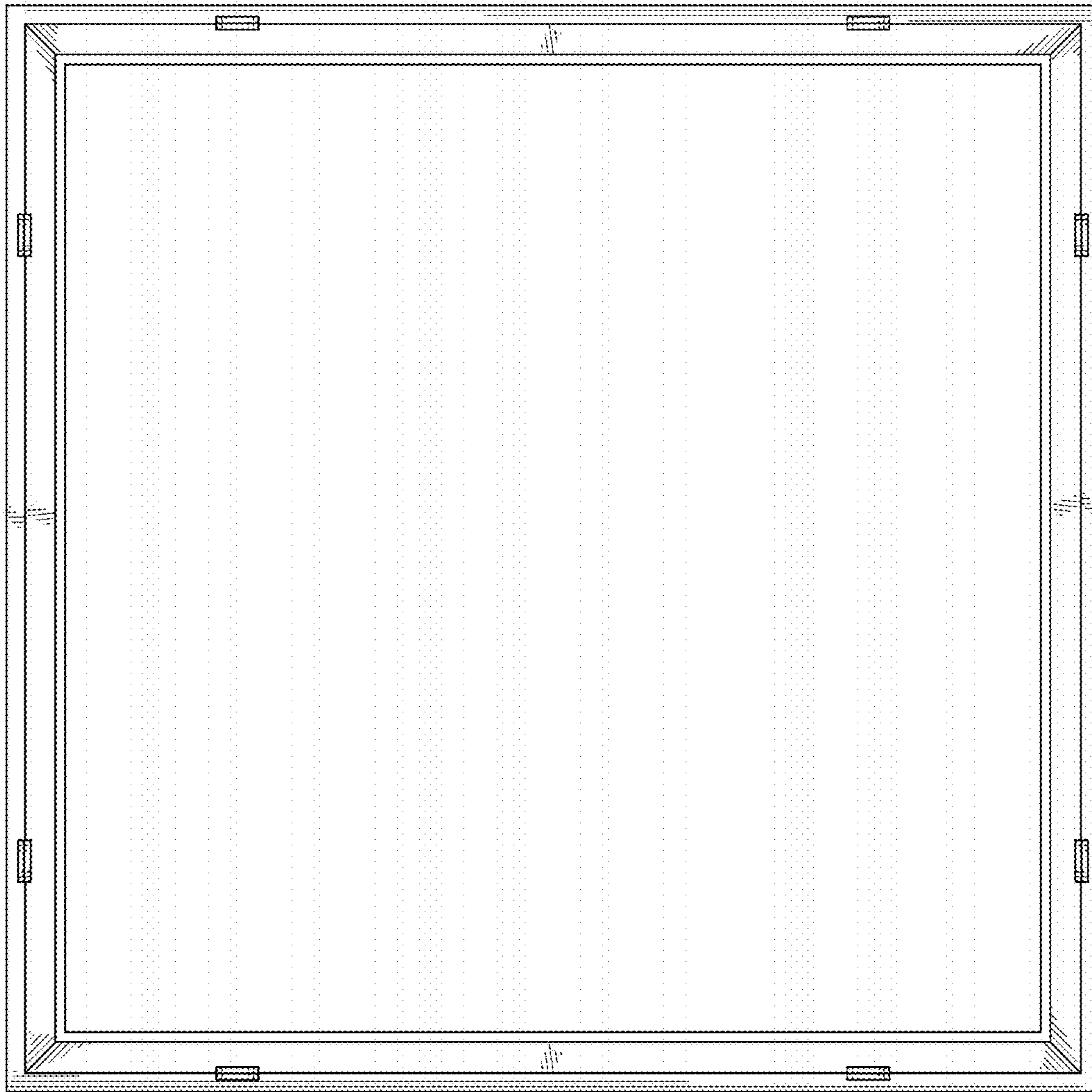


FIG. 2

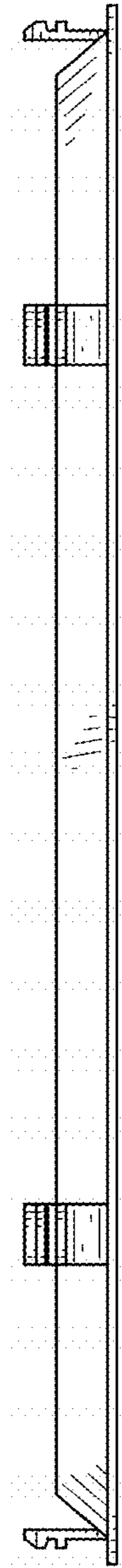


FIG. 3

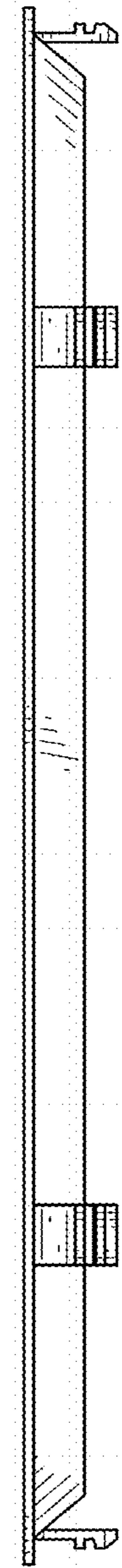


FIG. 4

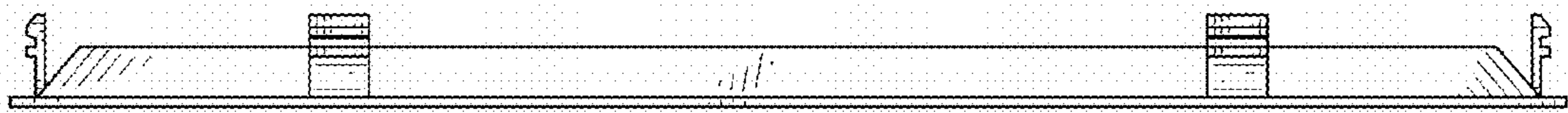


FIG. 5

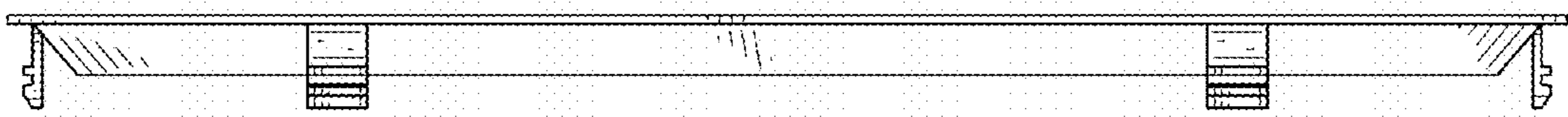


FIG. 6

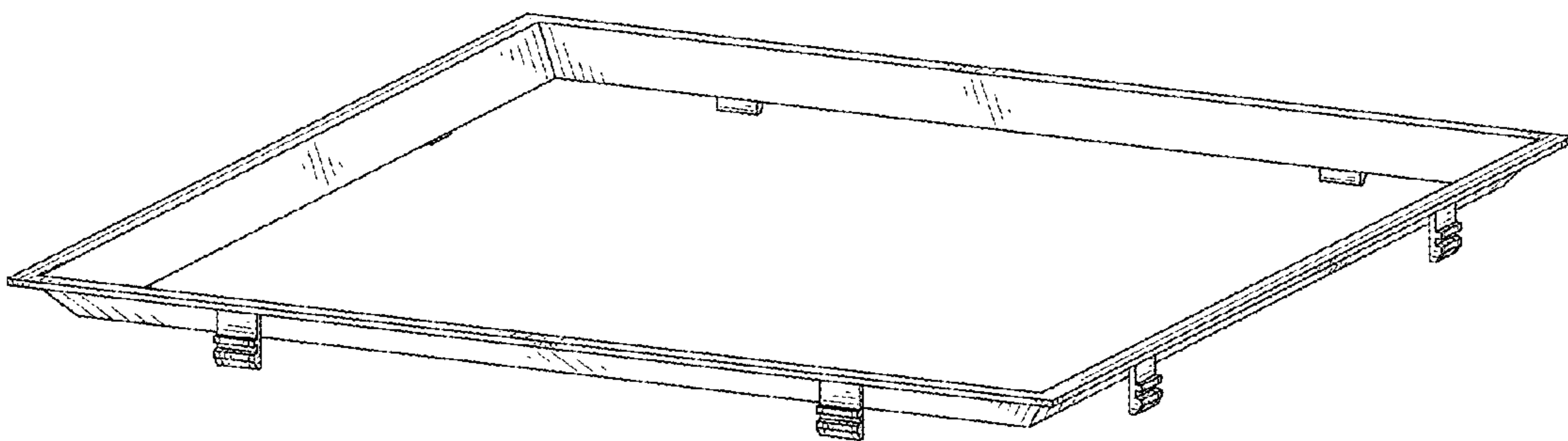


FIG. 7