



US00D870356S

(12) **United States Design Patent** (10) **Patent No.:** **US D870,356 S**
Meise (45) **Date of Patent:** **** Dec. 17, 2019**

(54) **LUMINAIRE**
(71) Applicant: **Axel & Susann Meise**
Beteiligungsgesellschaft mbH,
Starnberg (DE)
(72) Inventor: **Axel Meise, München (DE)**
(73) Assignee: **Axel & Susann Meise**
Beteiligungsgesellschaft mbH,
Starnberg (DE)
(**) Term: **15 Years**
(21) Appl. No.: **29/663,272**
(22) Filed: **Sep. 13, 2018**
(51) **LOC (12) Cl.** **26-03**
(52) **U.S. Cl.**
USPC **D26/90; D26/76**
(58) **Field of Classification Search**
USPC **D26/81-86, 88-91, 76**
CPC **F21S 8/04; F21S 8/043; F21S 8/046; F21S**
8/06; F21S 8/065; F21S 8/066; F21S
8/068
See application file for complete search history.

(56) **References Cited**
U.S. PATENT DOCUMENTS
D121,590 S * 7/1940 Heath D26/76
D124,833 S * 1/1941 Dreyfuss D26/76
D129,836 S * 10/1941 Koegel D26/76
2,348,930 A * 5/1944 Schepmoes F21S 8/06
362/224
D139,670 S * 12/1944 Schepmoes D26/76
D468,474 S * 1/2003 Poulton D26/90
D588,739 S * 3/2009 Janssen D26/76
D664,282 S * 7/2012 Santoro D26/76
D669,209 S * 10/2012 Choi D26/90

D786,483 S * 5/2017 Sonneman D26/90
D812,802 S * 3/2018 Garrett D26/90
2011/0051416 A1* 3/2011 Verbrugh G02B 6/0021
362/235
2011/0063838 A1* 3/2011 Dau F21S 8/04
362/235

OTHER PUBLICATIONS

Occhio Linear LED suspended luminaire specification sheet. From website <<https://www.occhio.de/service/downloads#Mito%20linear>> visited Sep. 27, 2019. (Year: 2019).*
Mumu LED Linear Suspension Pendant Light by Dian, from Seed Design at ylighting.com visited Sep. 27, 2019. (Year: 2019).*
Talo LED Linear Suspension by Neil Poulton for Artemide at ylighting.com visited Sep. 27, 2019. (Year: 2019).*

* cited by examiner

Primary Examiner — Clare E Heflin
(74) *Attorney, Agent, or Firm* — Winstead PC

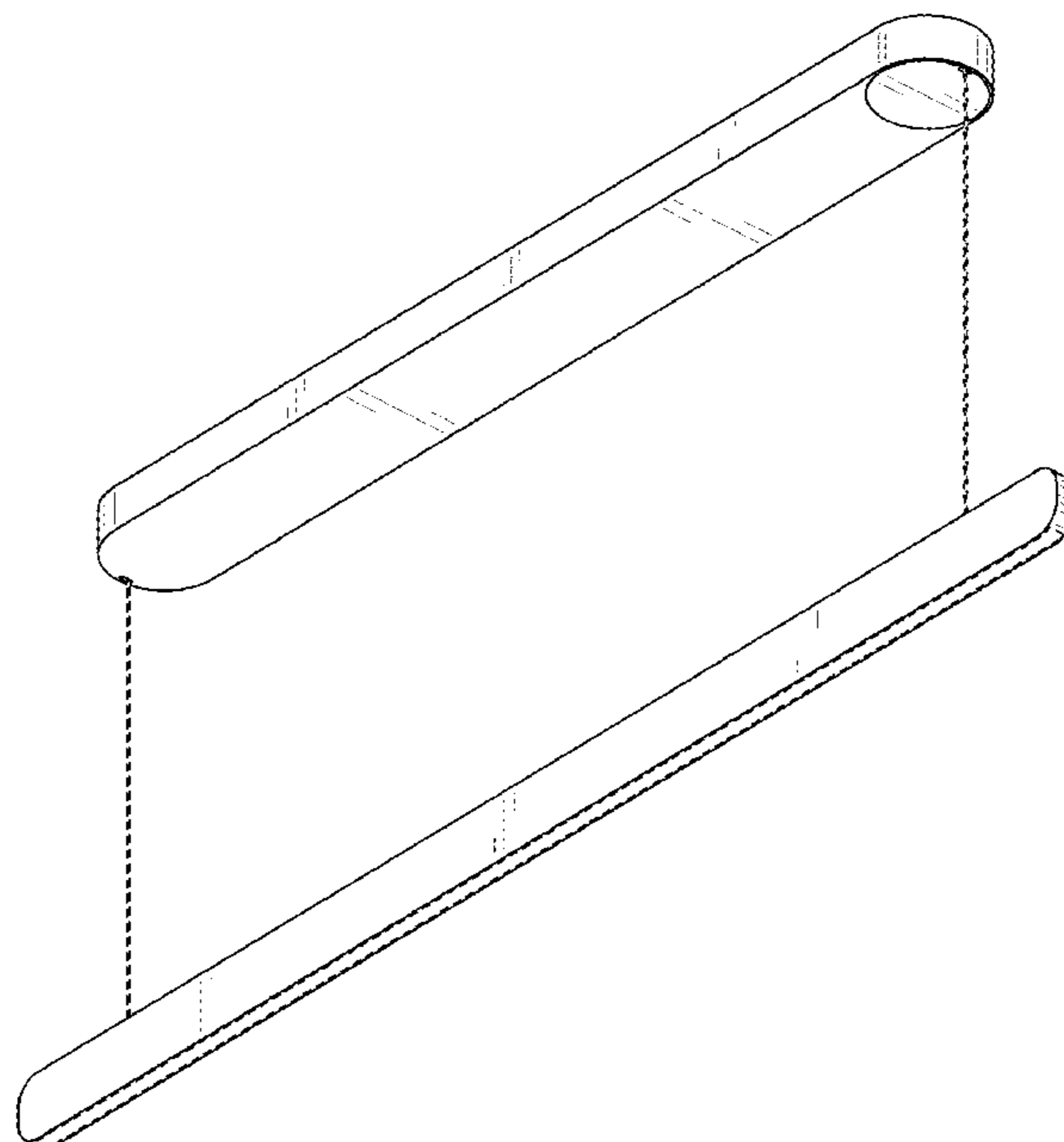
(57) **CLAIM**

The ornamental design for a luminaire, as shown and described.

DESCRIPTION

FIG. 1 is a perspective view of a luminaire in accordance with the design;
FIG. 2 is a top plan view thereof;
FIG. 3 is a bottom plan view thereof;
FIG. 4 is a front elevation view thereof, with the rear elevation view being a mirror image of the front elevation view; and,
FIG. 5 is a left side elevation view thereof, with the right side elevation view being a mirror image of the left side elevation view.
The broken lines shown on the drawings depict portions of the luminaire that form no part of the claimed design.

1 Claim, 4 Drawing Sheets



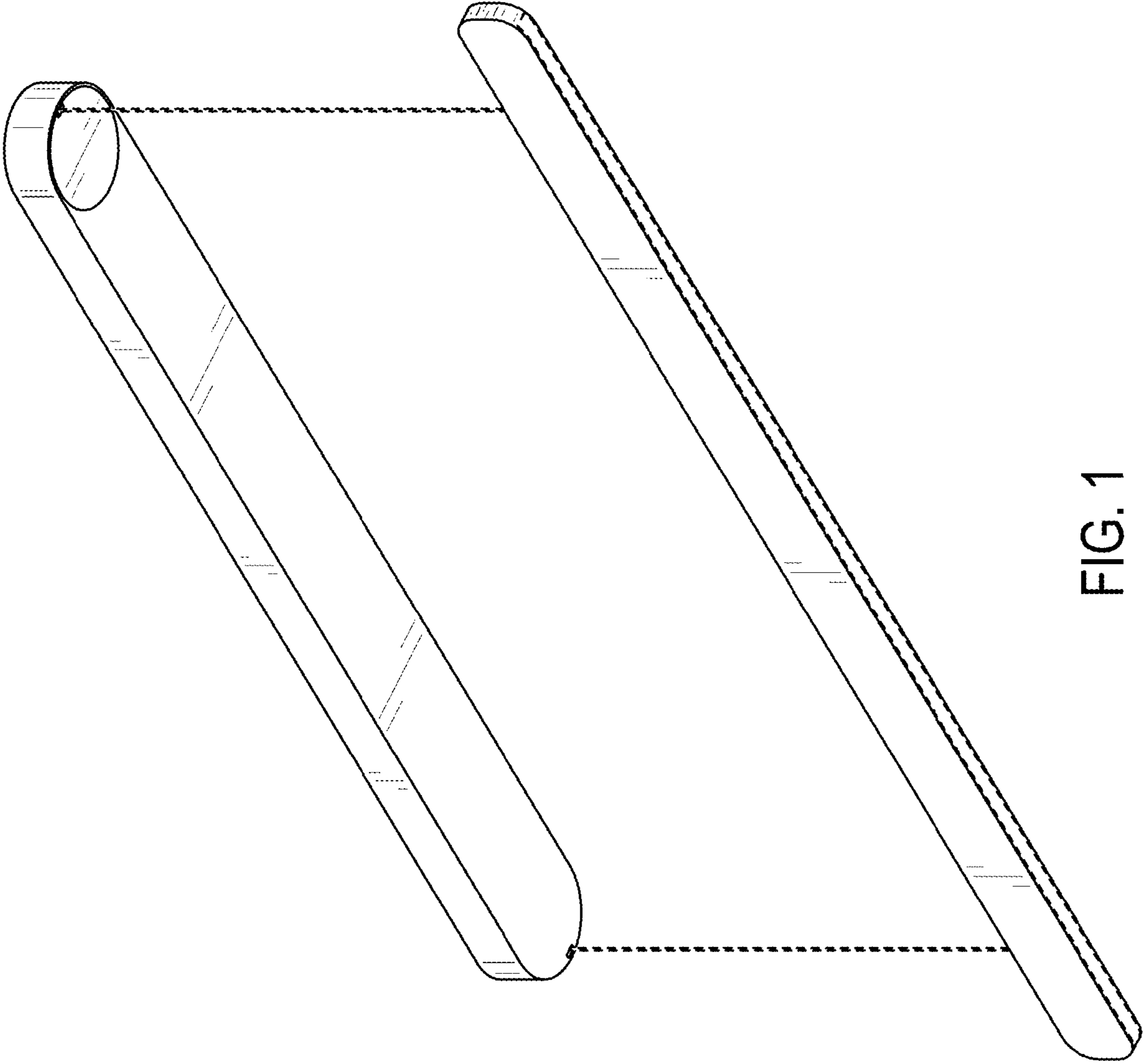


FIG. 1

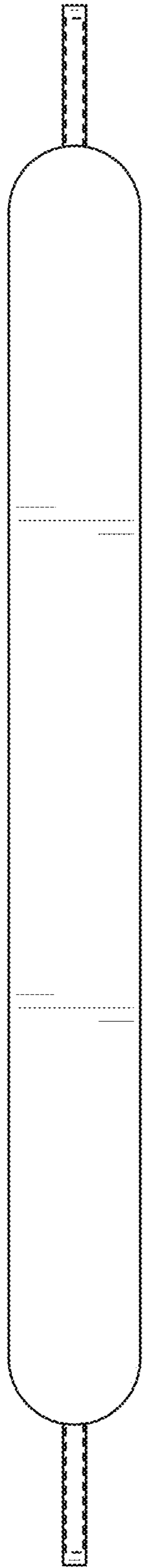


FIG. 2

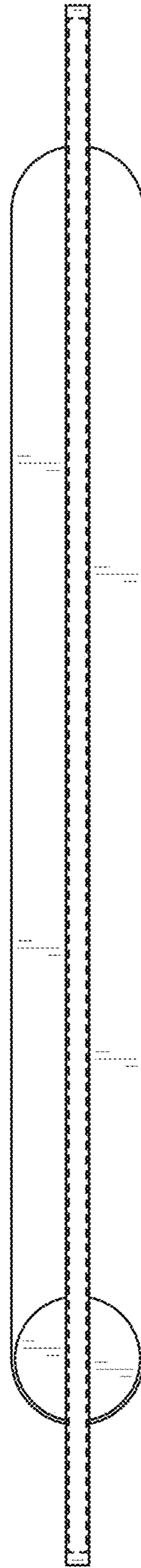


FIG. 3

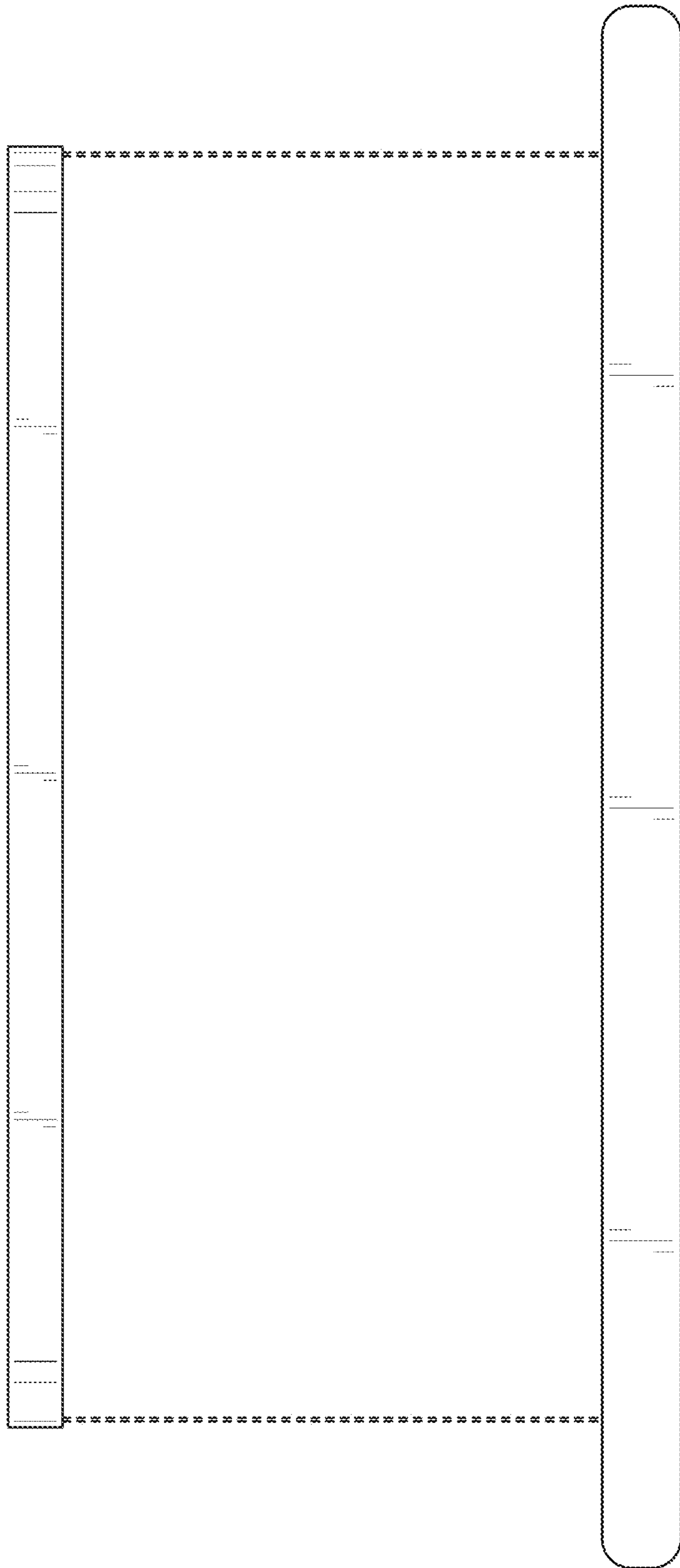


FIG. 4



FIG. 5