



US00D870351S

(12) **United States Design Patent** (10) **Patent No.:** **US D870,351 S**
Sonneman (45) **Date of Patent:** **** *Dec. 17, 2019**

(54) **LIGHT FIXTURE**

(71) Applicant: **Contemporary Visions, LLC**,
Larchmont, NY (US)

(72) Inventor: **Robert A. Sonneman**, Mamaroneck,
NY (US)

(73) Assignee: **Contemporary Visions, LLC**,
Larchmont, NY (US)

(*) Notice: This patent is subject to a terminal disclaimer.

(**) Term: **15 Years**

(21) Appl. No.: **29/672,552**

(22) Filed: **Dec. 6, 2018**

(51) **LOC (12) Cl.** **26-03**

(52) **U.S. Cl.**
USPC **D26/88; D26/84**

(58) **Field of Classification Search**
USPC D26/81-91
CPC F21S 8/04; F21S 8/043; F21S 8/046; F21S 8/06; F21S 8/061; F21S 8/063; F21S 8/065; F21S 8/068

See application file for complete search history.

(56) **References Cited**

U.S. PATENT DOCUMENTS

3,336,474	A *	8/1967	Leibl	F21V 31/005
					362/363
D387,448	S *	12/1997	Barthelmess	D26/25
5,868,490	A *	2/1999	Barthelmess	F21S 4/10
					362/227
D446,337	S *	8/2001	Benghozi	D26/86
D536,479	S *	2/2007	Rugee	D26/137
D620,178	S *	7/2010	Sabernig	D26/84
D628,740	S *	12/2010	Arbel	D26/128
D632,835	S *	2/2011	Arbel	D26/128

(Continued)

OTHER PUBLICATIONS

3-Globe luminaire on left of page for "Suspenders", at sonnemanawayofflight.com/Luminaires, visited Feb. 21, 2019. (Year: 2019).*

(Continued)

Primary Examiner — Clare E Heflin

(74) *Attorney, Agent, or Firm* — Gottlieb, Rackman & Reisman, P.C.

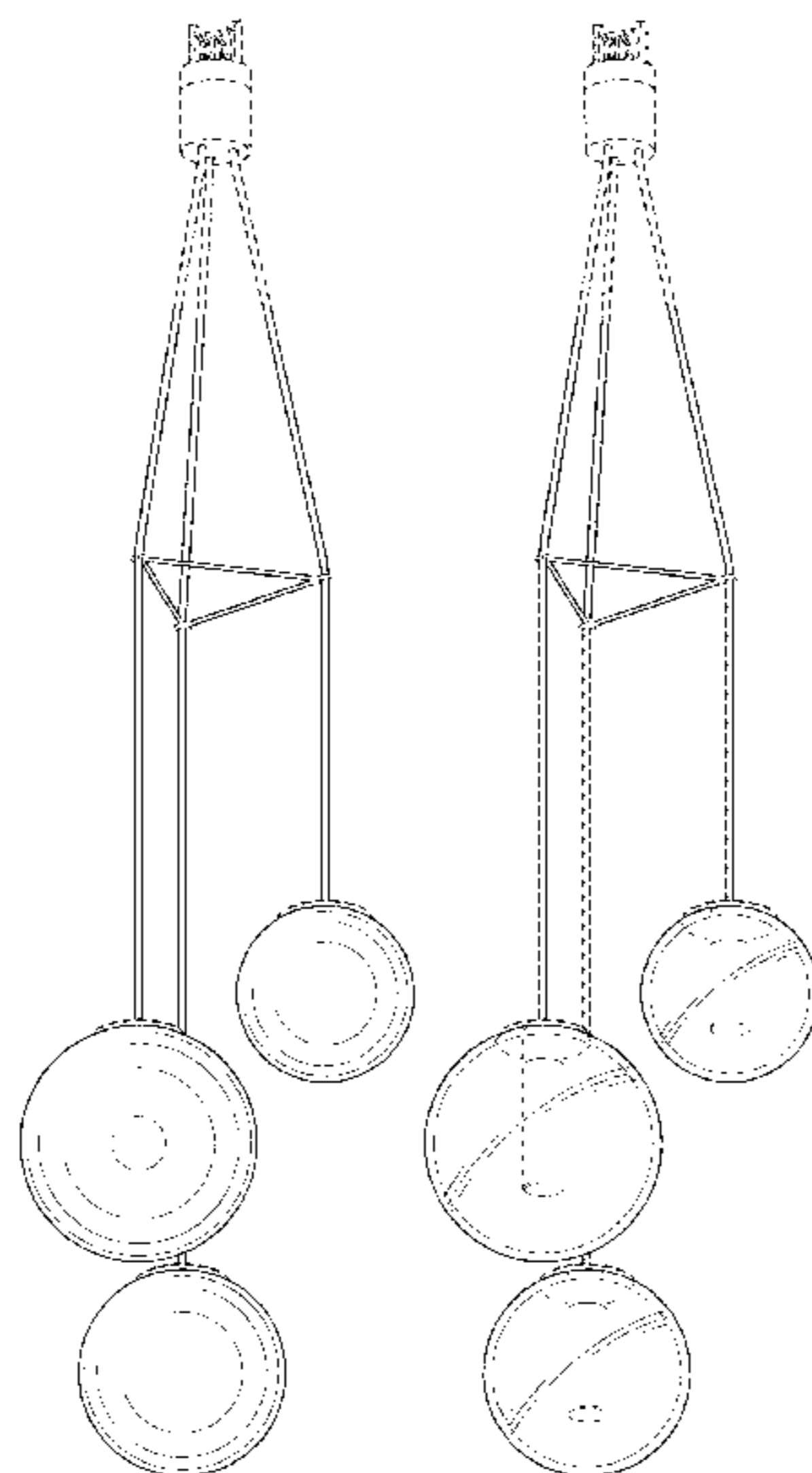
(57) **CLAIM**

The ornamental design for a light fixture, as shown and described.

DESCRIPTION

FIG. 1 is a perspective view of a first embodiment of a light fixture showing my new design;
 FIG. 2 is a front elevational view of FIG. 1;
 FIG. 3 is a rear elevational view of FIG. 1;
 FIG. 4 is a right side elevational view of FIG. 1;
 FIG. 5 is a left side elevational view of FIG. 1;
 FIG. 6 is a top plan view of FIG. 1;
 FIG. 7 is a bottom plan view of FIG. 1;
 FIG. 8 is a perspective view of a second embodiment of a light fixture showing my new design;
 FIG. 9 is a front elevational view of FIG. 8;
 FIG. 10 is a rear elevational view of FIG. 8;
 FIG. 11 is a right side elevational view of FIG. 8;
 FIG. 12 is a left side elevational view of FIG. 8;
 FIG. 13 is a top plan view of FIG. 8;
 FIG. 14 is a bottom plan view of FIG. 8;
 FIG. 15 is a perspective view of a third embodiment of a light fixture showing my new design;
 FIG. 16 is a front elevational view of FIG. 15;
 FIG. 17 is a rear elevational view of FIG. 15;
 FIG. 18 is a right side elevational view of FIG. 15;
 FIG. 19 is a left side elevational view of FIG. 15;
 FIG. 20 is a top plan view of FIG. 15; and,
 FIG. 21 is a bottom plan view of FIG. 15.

1 Claim, 21 Drawing Sheets



(56)

References Cited

U.S. PATENT DOCUMENTS

D709,637 S * 7/2014 Terzani F21V 31/005
D26/83
D759,875 S * 6/2016 Giopato D26/88
D761,992 S * 7/2016 Ng D26/88
D773,099 S * 11/2016 Sonneman D26/84
D792,007 S * 7/2017 Sonneman F21S 8/061
D26/88
D800,369 S * 10/2017 Sonneman F21V 23/06
D26/84
D809,183 S * 1/2018 Rybakken D26/90
D810,346 S * 2/2018 Genovese D26/86
D828,945 S * 9/2018 Crocker D26/81
2012/0257388 A1 * 10/2012 Bracher F21S 8/061
362/249.01
2016/0238229 A1 * 8/2016 Smitt F21V 23/06

OTHER PUBLICATIONS

Uptown 3-Light Clear Globe Cluster Pendant. At overstock.com as early as May 14, 2014. (Year: 2014).*

Vintage 3 Light Pendant Lamp sold at beautifulhalo.com as early as Nov. 11, 2017. (Year: 2017).*

* cited by examiner

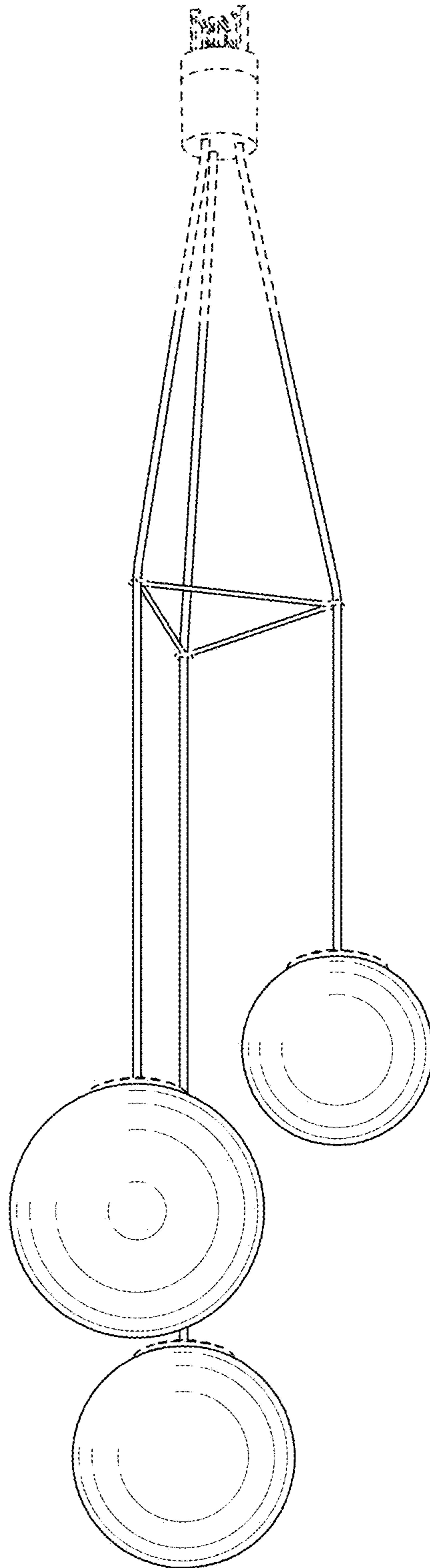


FIG. 1

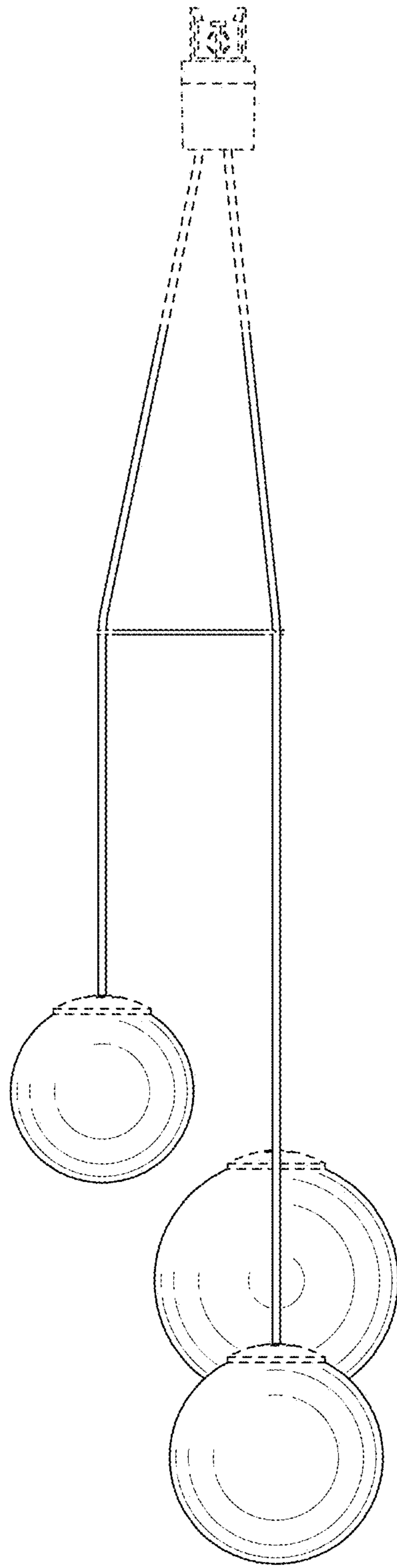


FIG. 2

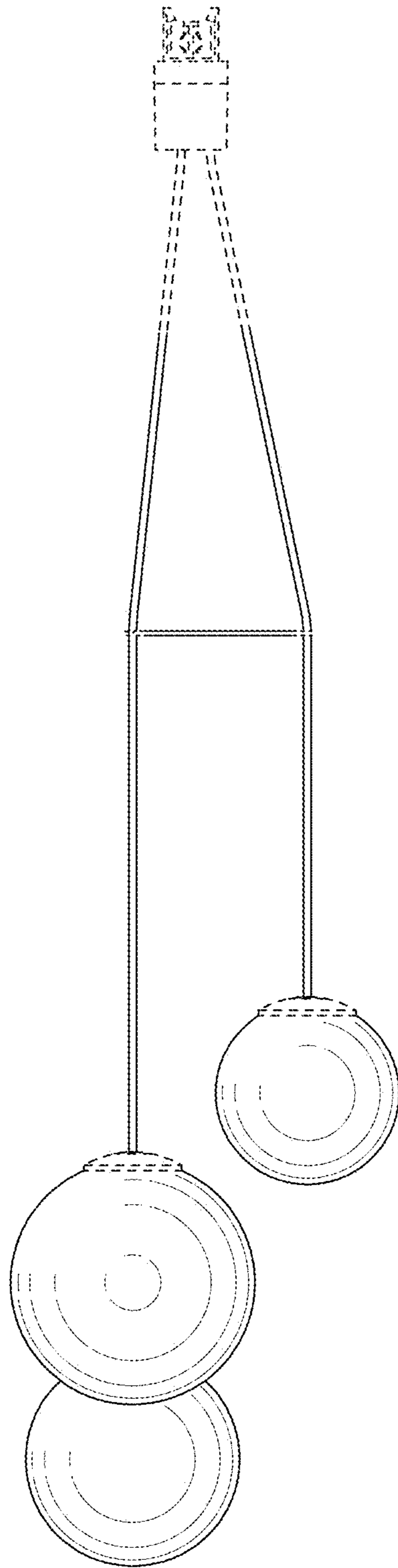


FIG. 3

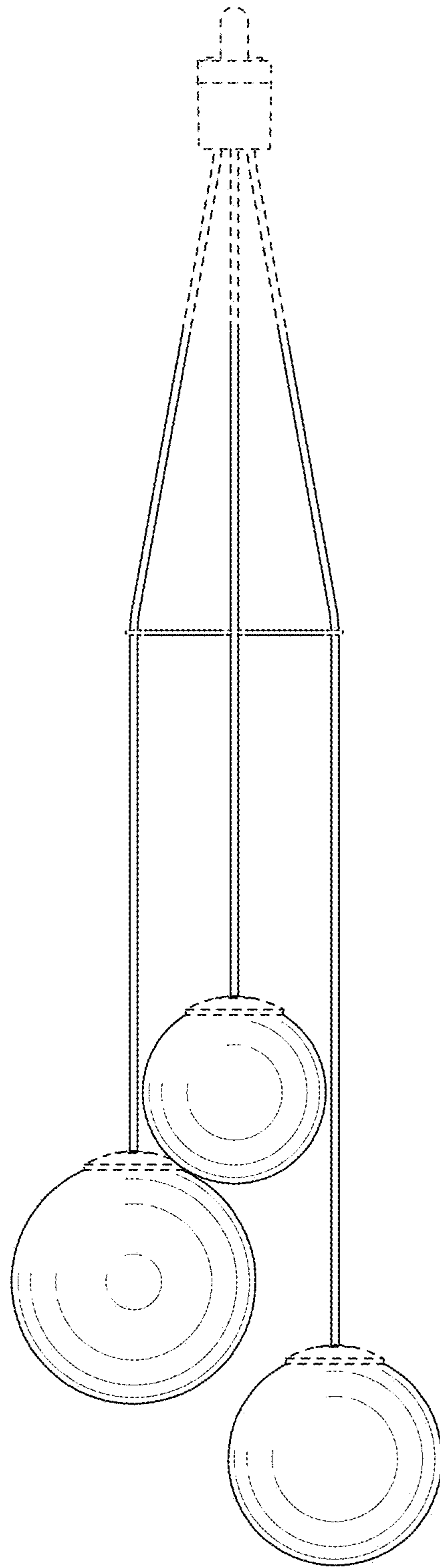


FIG. 4

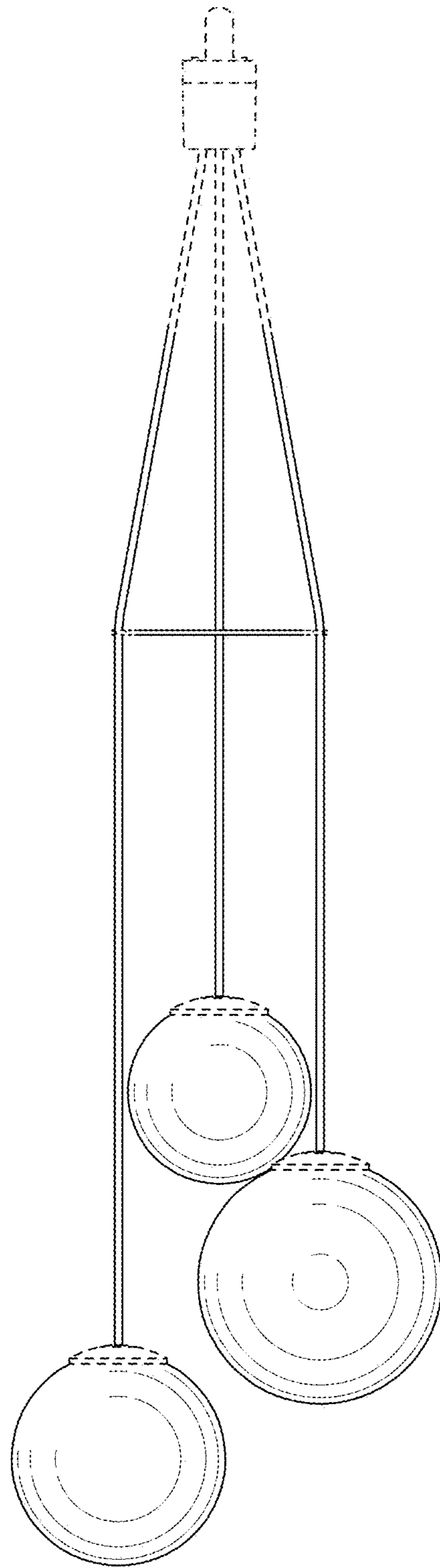


FIG. 5

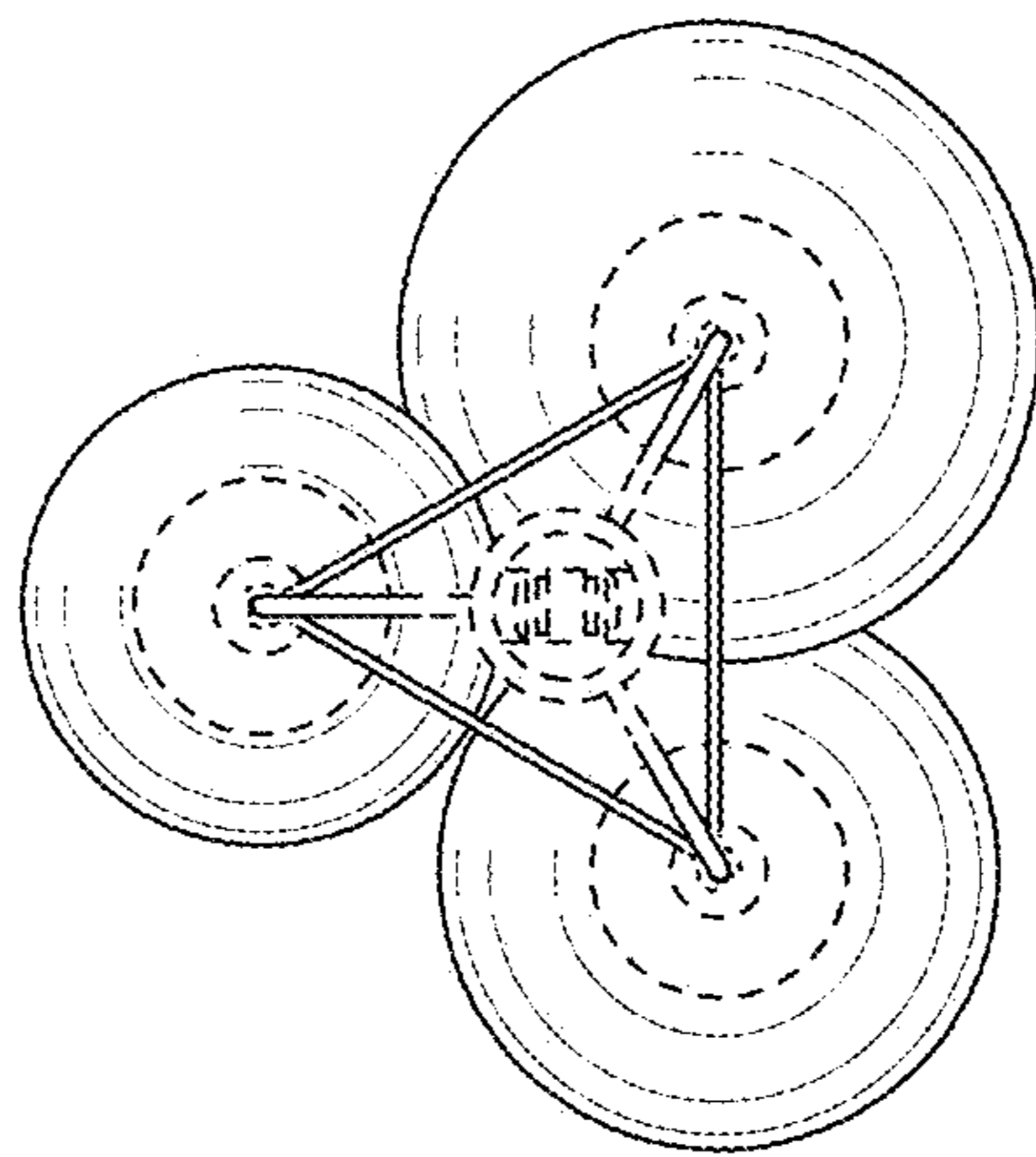


FIG. 6

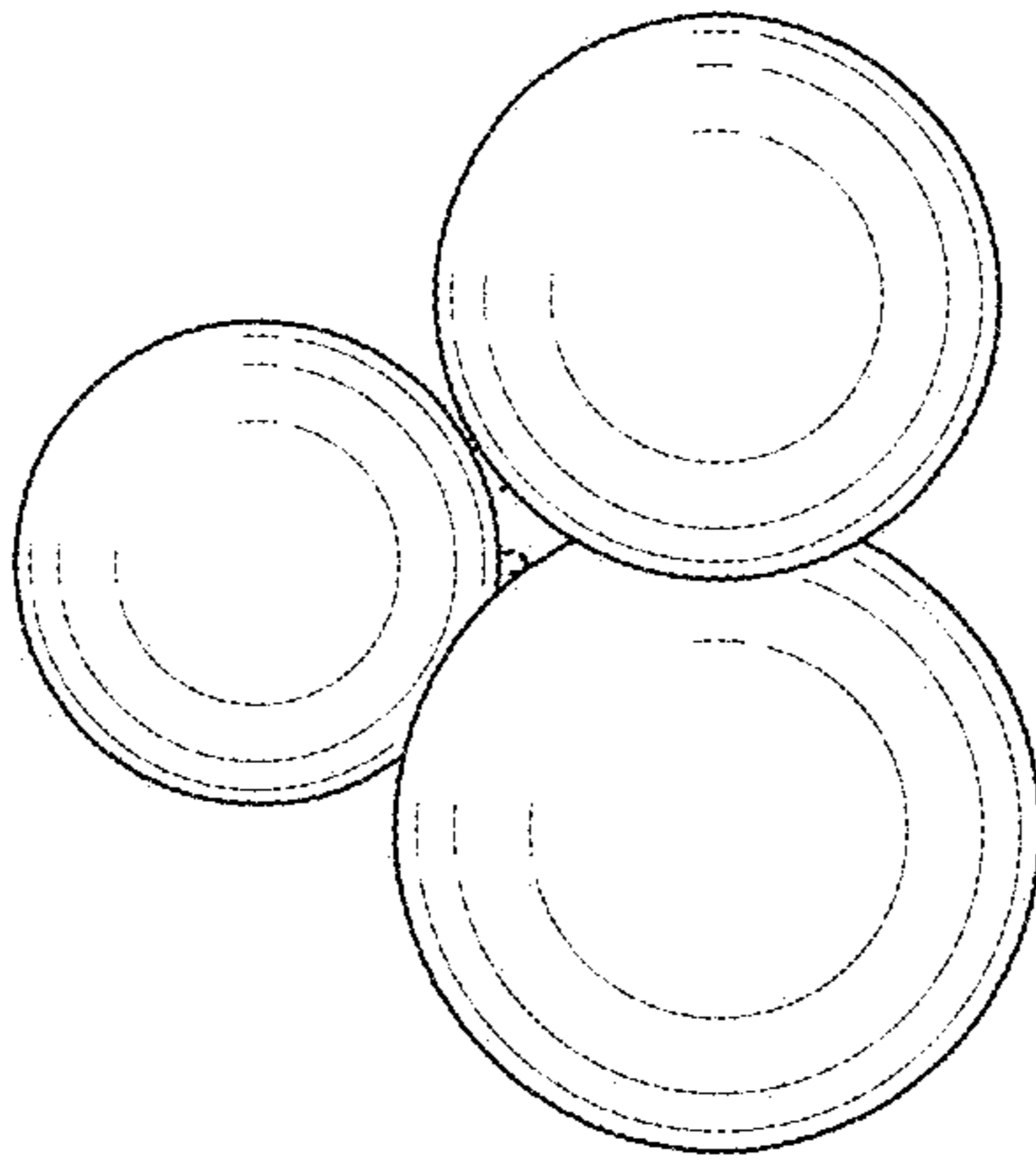


FIG. 7

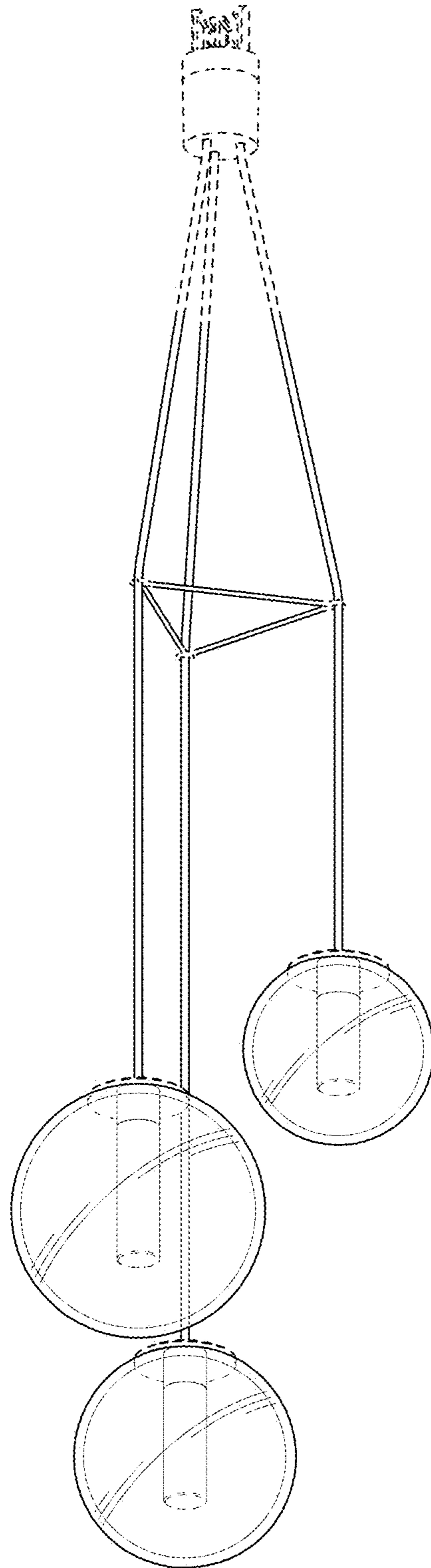


FIG. 8

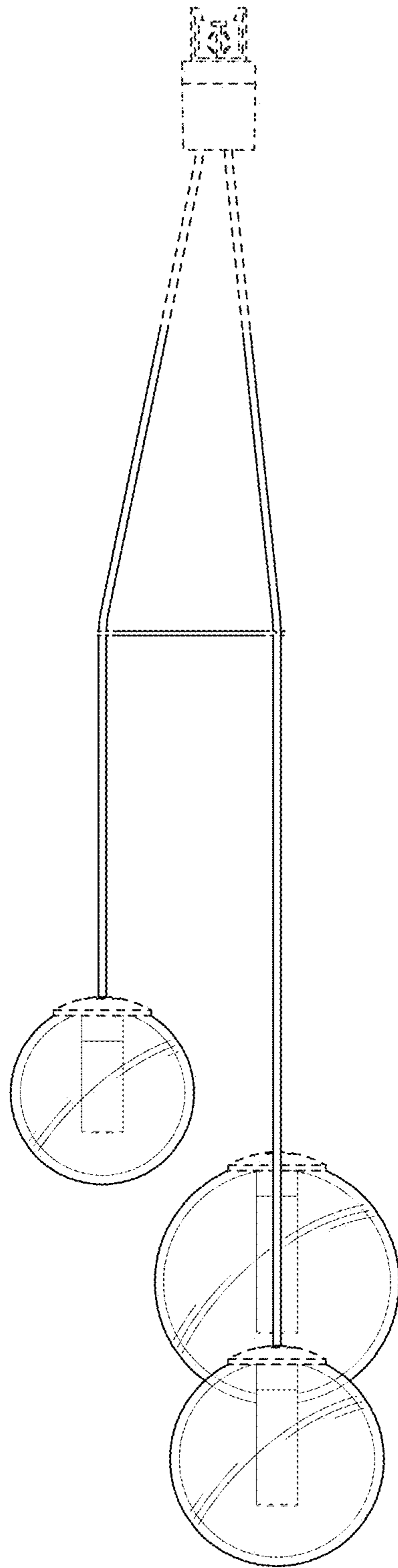


FIG. 9

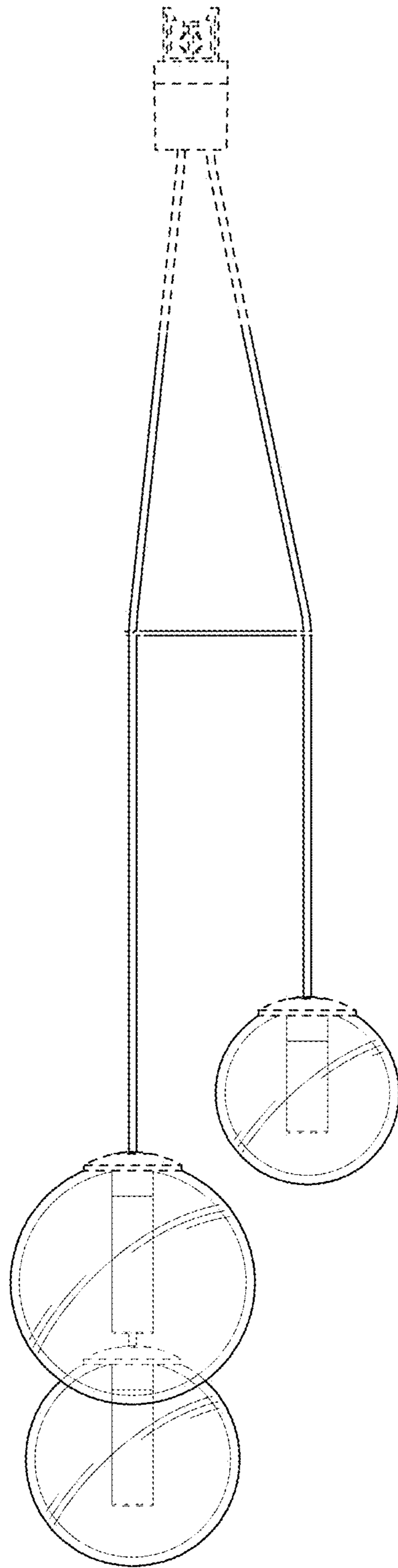


FIG. 10

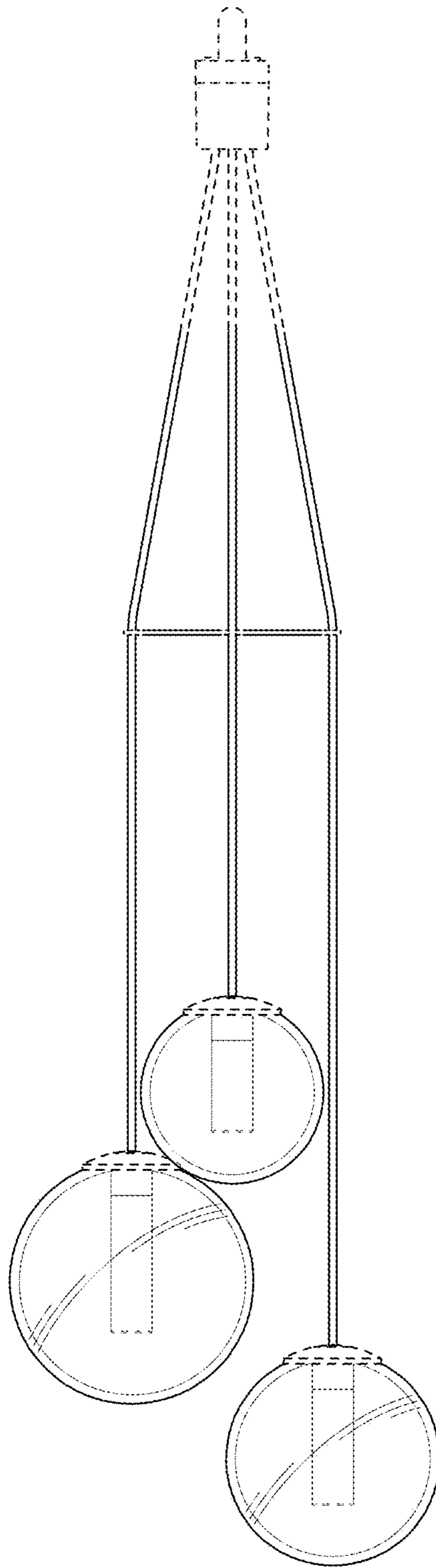


FIG. 11

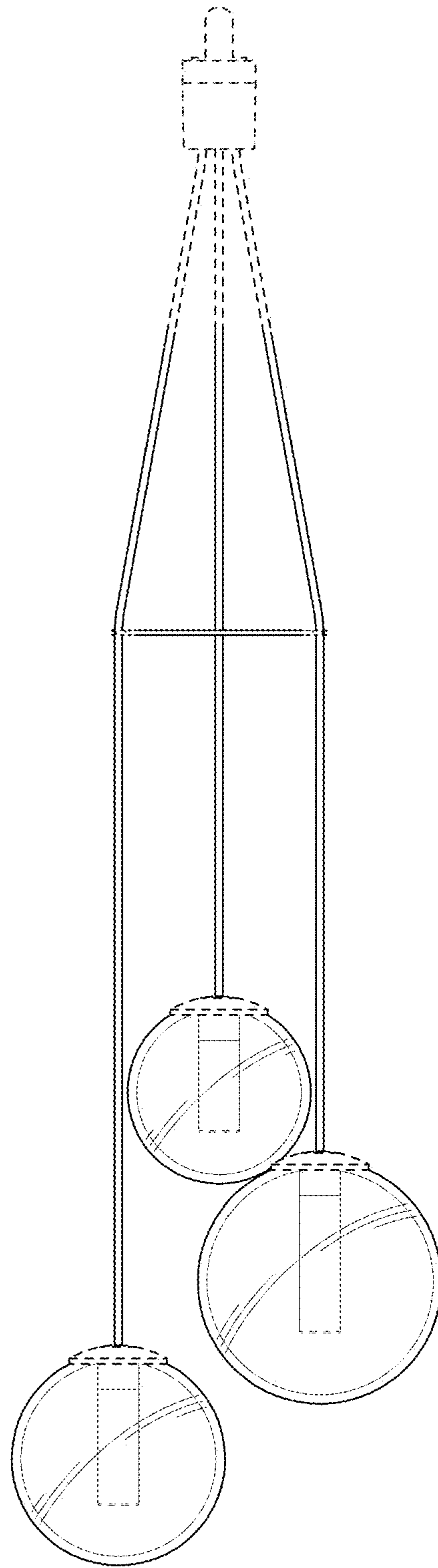


FIG. 12

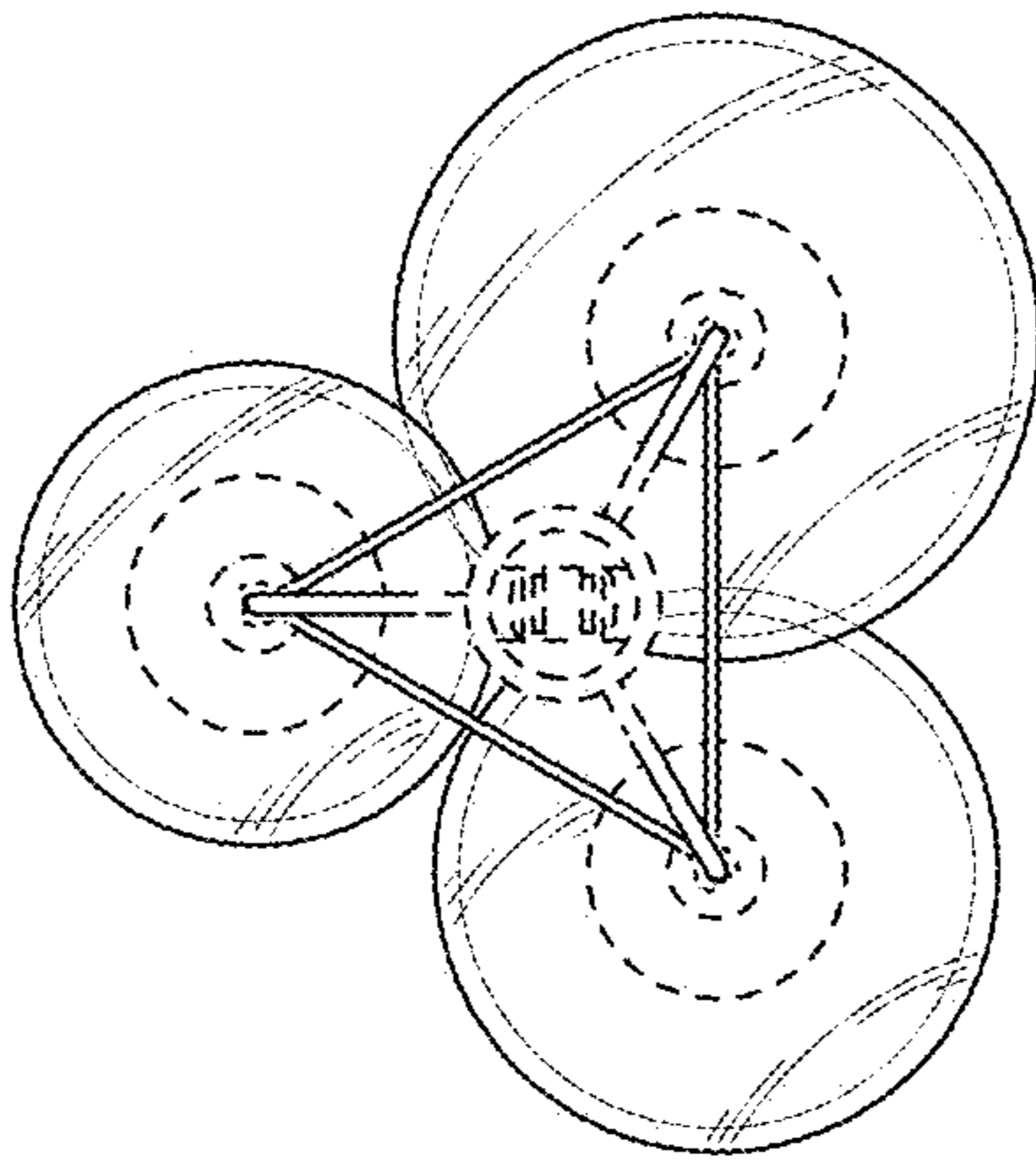


FIG. 13

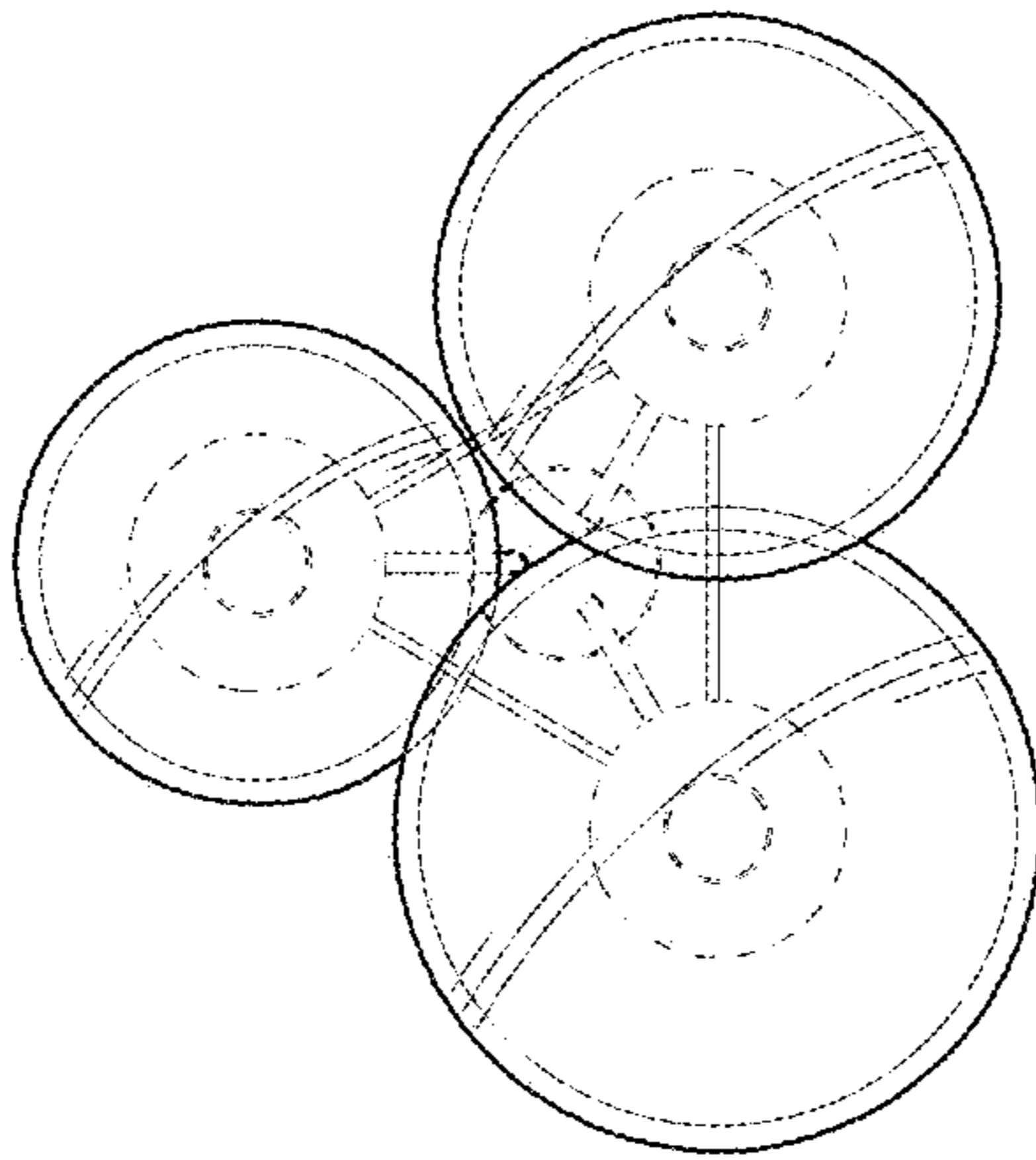


FIG. 14

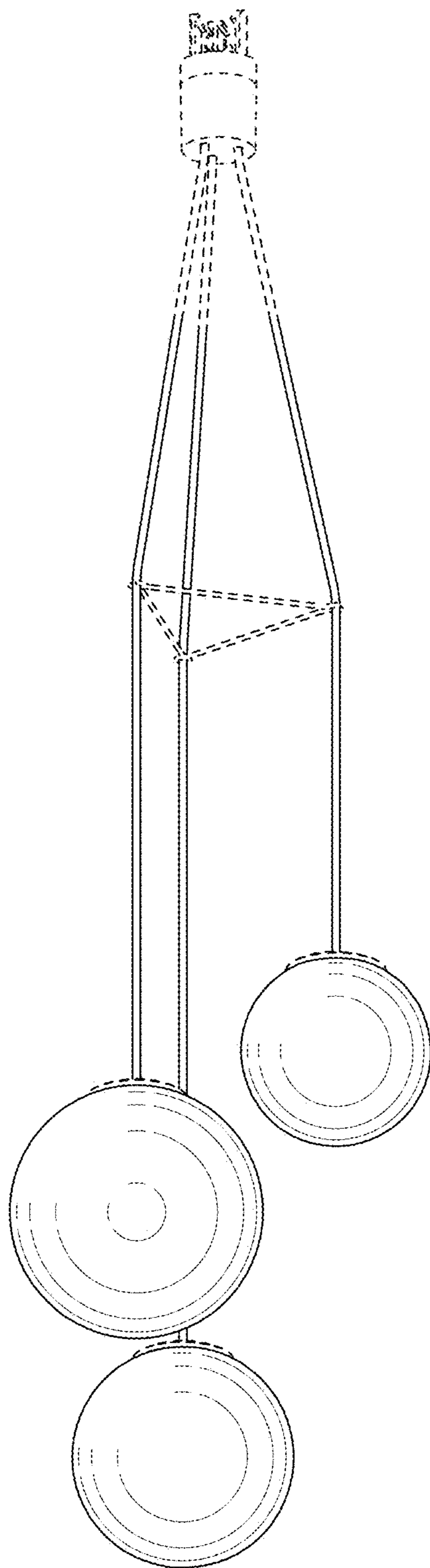


FIG. 15

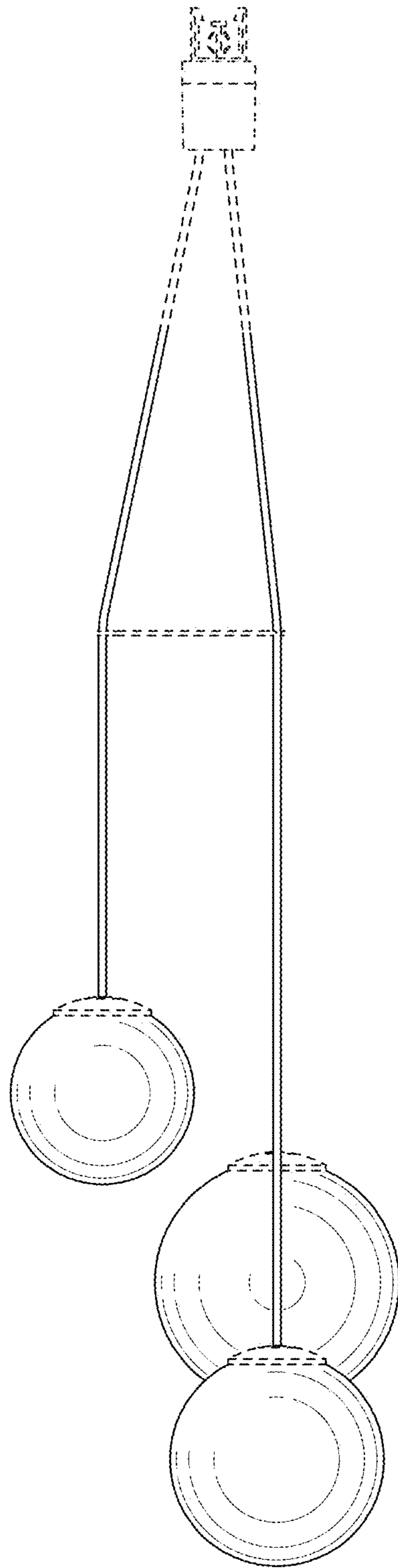


FIG. 16

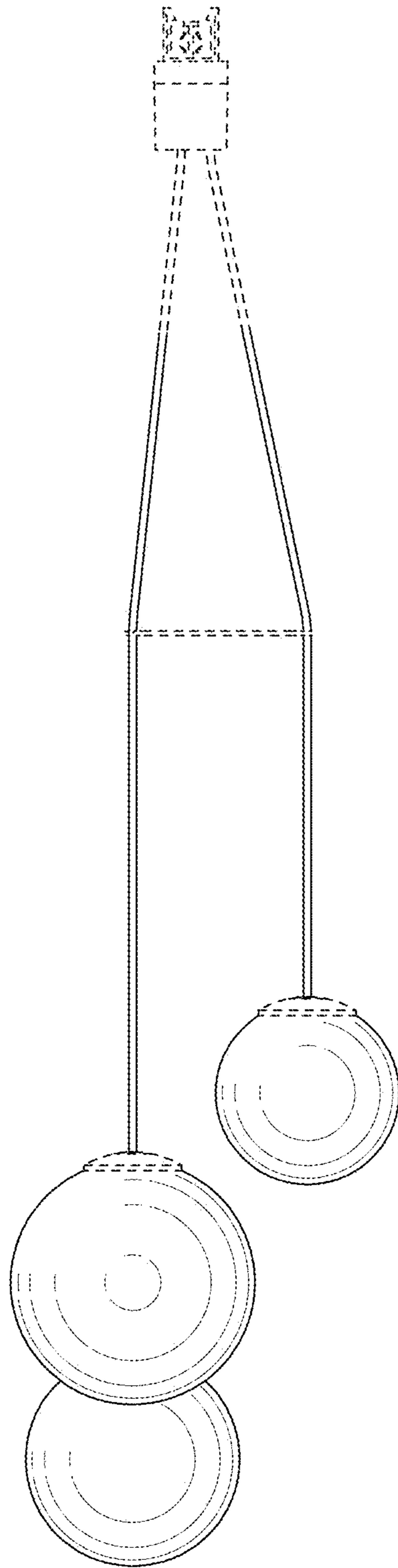


FIG. 17

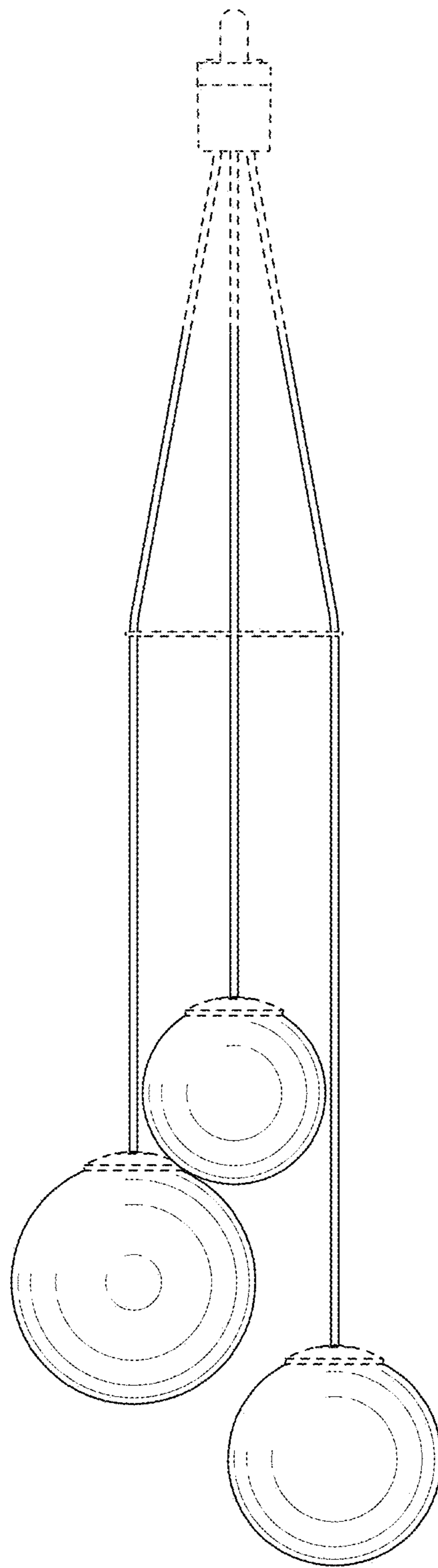


FIG. 18

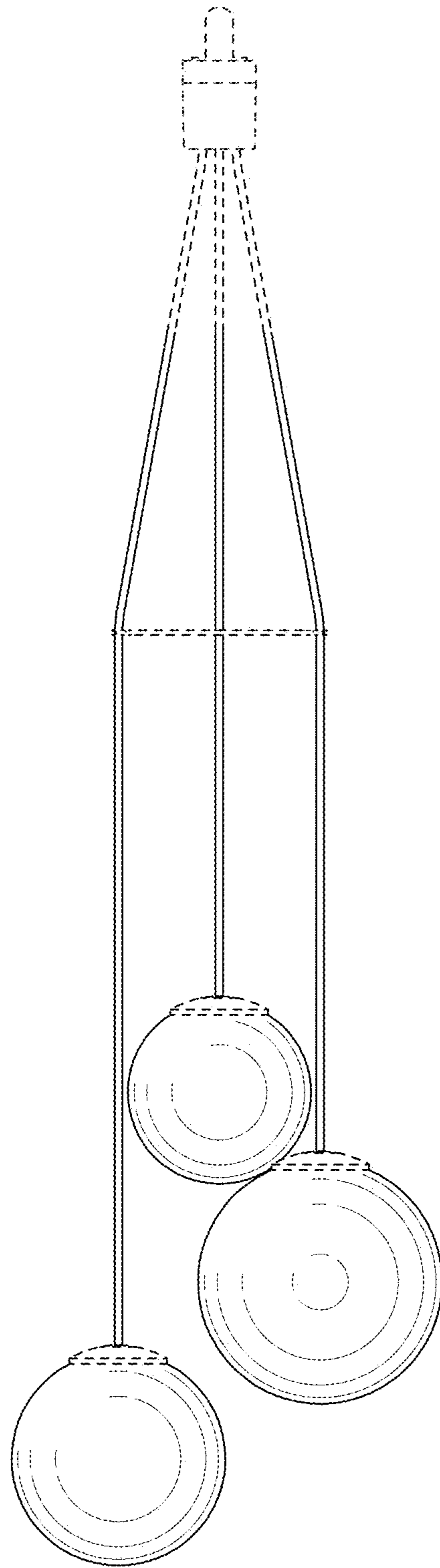


FIG. 19

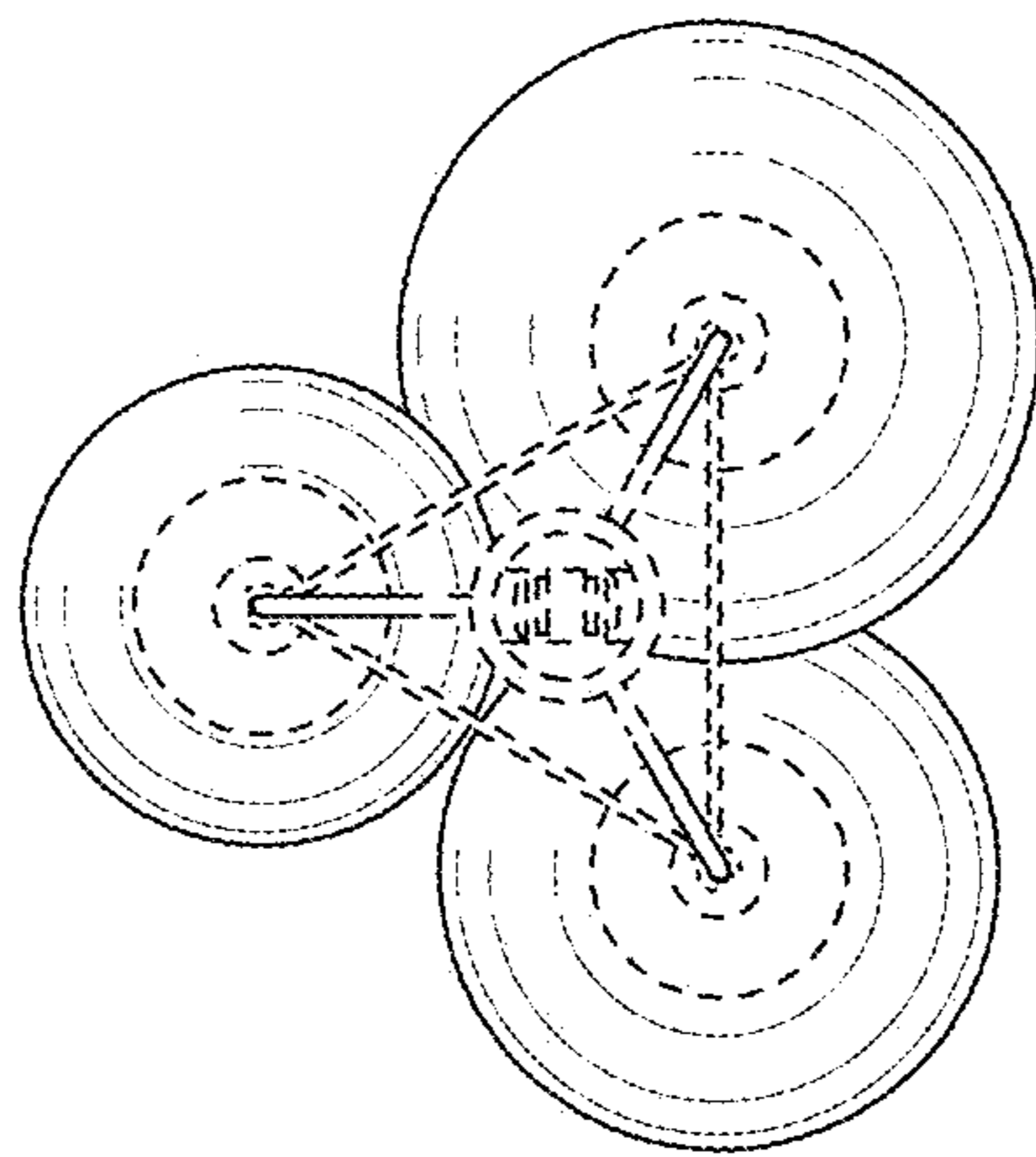


FIG. 20

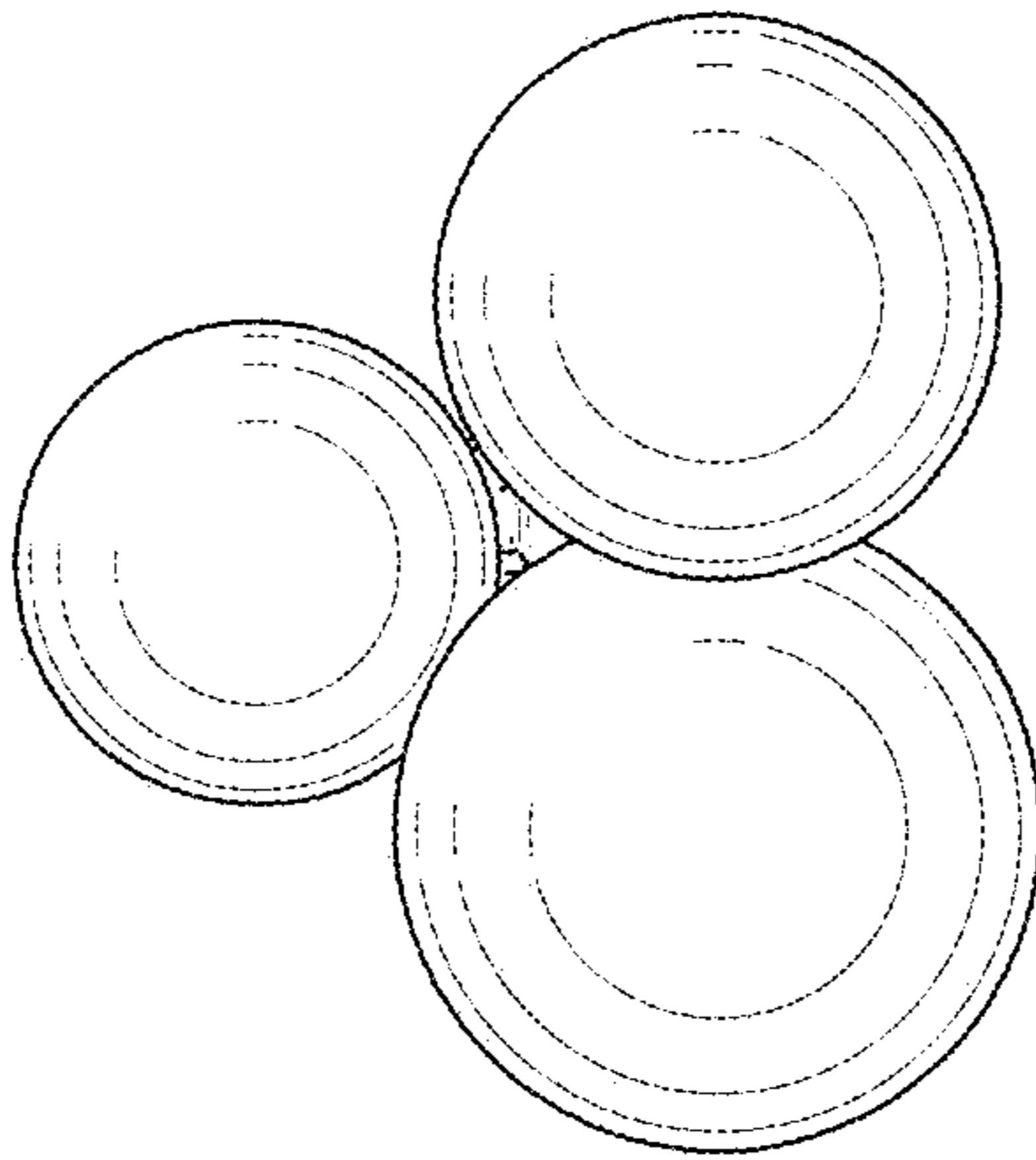


FIG. 21