



US00D870350S

(12) **United States Design Patent** (10) **Patent No.:** **US D870,350 S**
Schwartz (45) **Date of Patent:** **** Dec. 17, 2019**

(54) **CEILING HANGING CURVED LED LIGHT FIXTURE**

(71) Applicant: **Abraham Schwartz**, Monsey, NY (US)

(72) Inventor: **Abraham Schwartz**, Monsey, NY (US)

(**) Term: **15 Years**

(21) Appl. No.: **29/664,914**

(22) Filed: **Sep. 28, 2018**

(51) **LOC (12) Cl.** **26-03**

(52) **U.S. Cl.**
USPC **D26/88**

(58) **Field of Classification Search**
USPC D26/80-86, 88, 90, 91
CPC F21S 8/03; F21S 8/04; F21S 8/043; F21S 8/046; F21S 8/06; F21S 8/061; F21S 8/063; F21S 8/065
See application file for complete search history.

(56) **References Cited**

U.S. PATENT DOCUMENTS

2,886,697	A *	5/1959	Pomeroy	F21V 11/00
					362/148
D234,621	S *	3/1975	Muller	D26/80
D459,827	S *	7/2002	Yang	D26/86
D566,877	S *	4/2008	Chandler	D26/85
D626,274	S *	10/2010	Verelst	D26/85
D626,275	S *	10/2010	Sabernig	D26/85
D654,212	S *	2/2012	Blum	D26/118
D655,439	S *	3/2012	Sabernig	D26/83
D681,254	S *	4/2013	Blum	D26/83
D703,361	S *	4/2014	Kondou	D26/109
D762,911	S *	8/2016	Blum	D26/88
D792,004	S *	7/2017	Sonneman	D26/86
2019/0017260	A1 *	1/2019	Bou Harb	E04B 1/86

OTHER PUBLICATIONS

LightInTheBox Acrylic LED Pendant Light, Wave Shape, available at amazon.com Aug. 25, 2015. (Year: 2015).*
Zinnia Wavy Crystal LED Ceiling Pendant Light, Model No. 4943-3CC by Searchlight. from thehomelightingcentre.co.uk visited Aug. 13, 2019. (Year: 2019).*
52-Light LED Stake Out Pendant Model No. P1158-675-L by Kovacs. Available at amazon.com Mar. 9, 2018. (Year: 2018).*
Modern Satin Silver Wavy LED Kitchen Pendant Light Bar by Searchlight. From universal-lighting.co.uk visited Aug. 13, 2019 (Year: 2019).*

* cited by examiner

Primary Examiner — Clare E Heflin

(74) *Attorney, Agent, or Firm* — Israel Nissenbaum; Yitzzy Nissenbaum

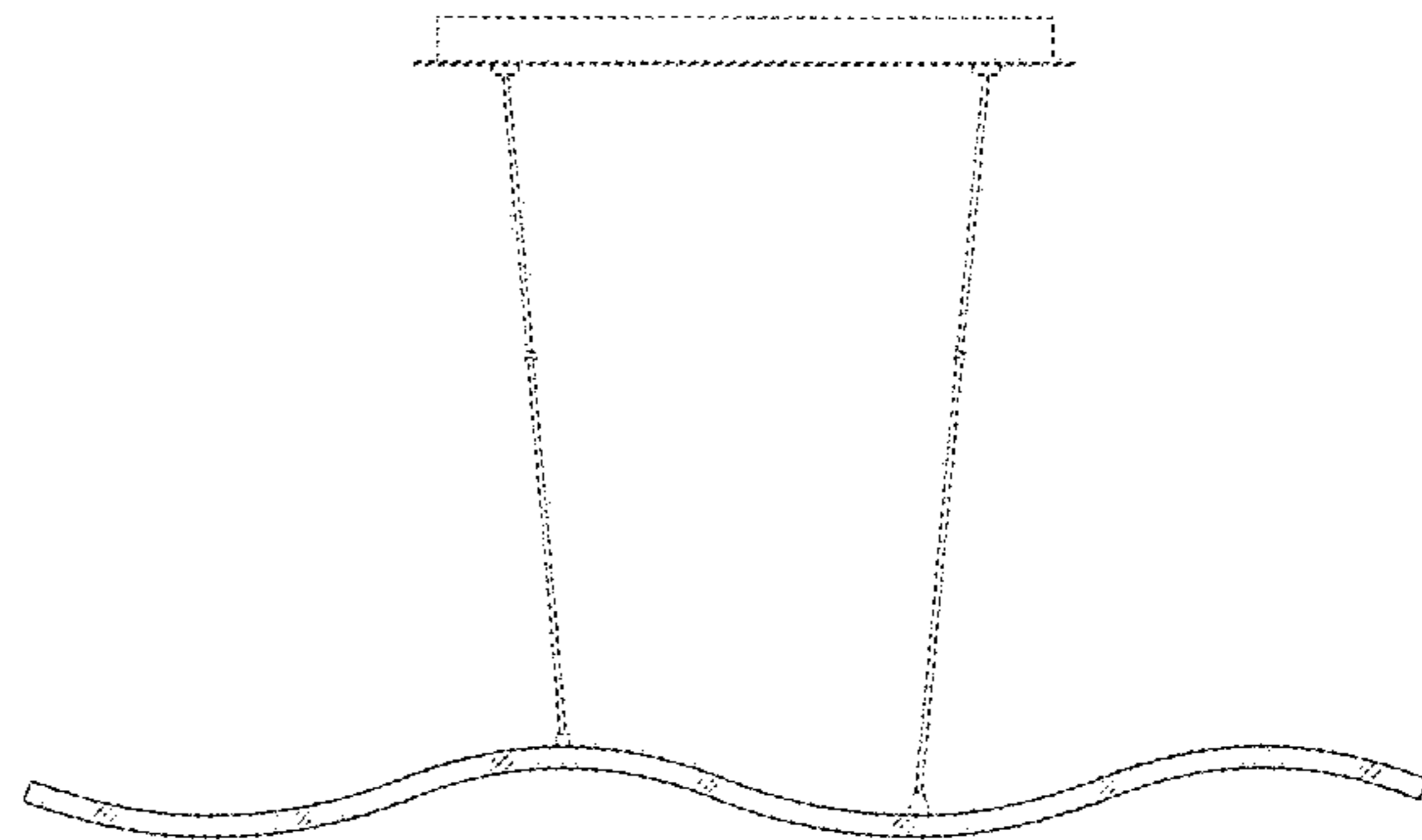
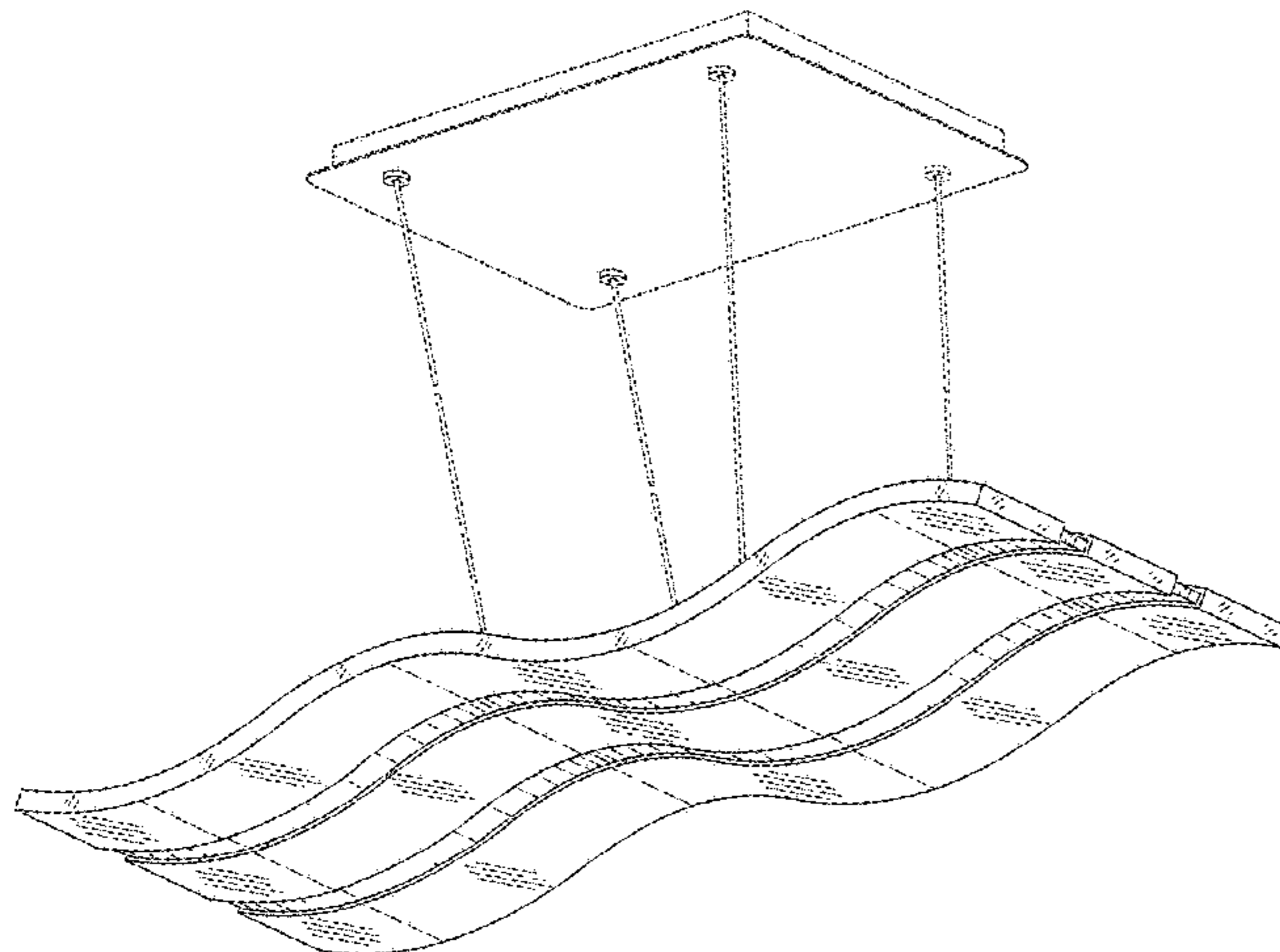
(57) **CLAIM**

The ornamental design of a ceiling hanging curved LED light fixture, as shown and described.

DESCRIPTION

FIG. 1 is a perspective view of a design of a ceiling hanging curved LED light fixture as viewed looking up;
FIG. 2 is a right end view of the light fixture of FIG. 1, with the left end view being identical;
FIG. 3 is a front view of the light fixture of FIG. 1, with the rear view being identical; and,
FIG. 4 is a bottom view of the light fixture of FIG. 1, as viewed looking straight up.
The top surface of the ceiling hanging curved LED fixture is not visible in use when hung from a ceiling and forms no part of the claimed design. The dashed lines show unclaimed environment.

1 Claim, 4 Drawing Sheets



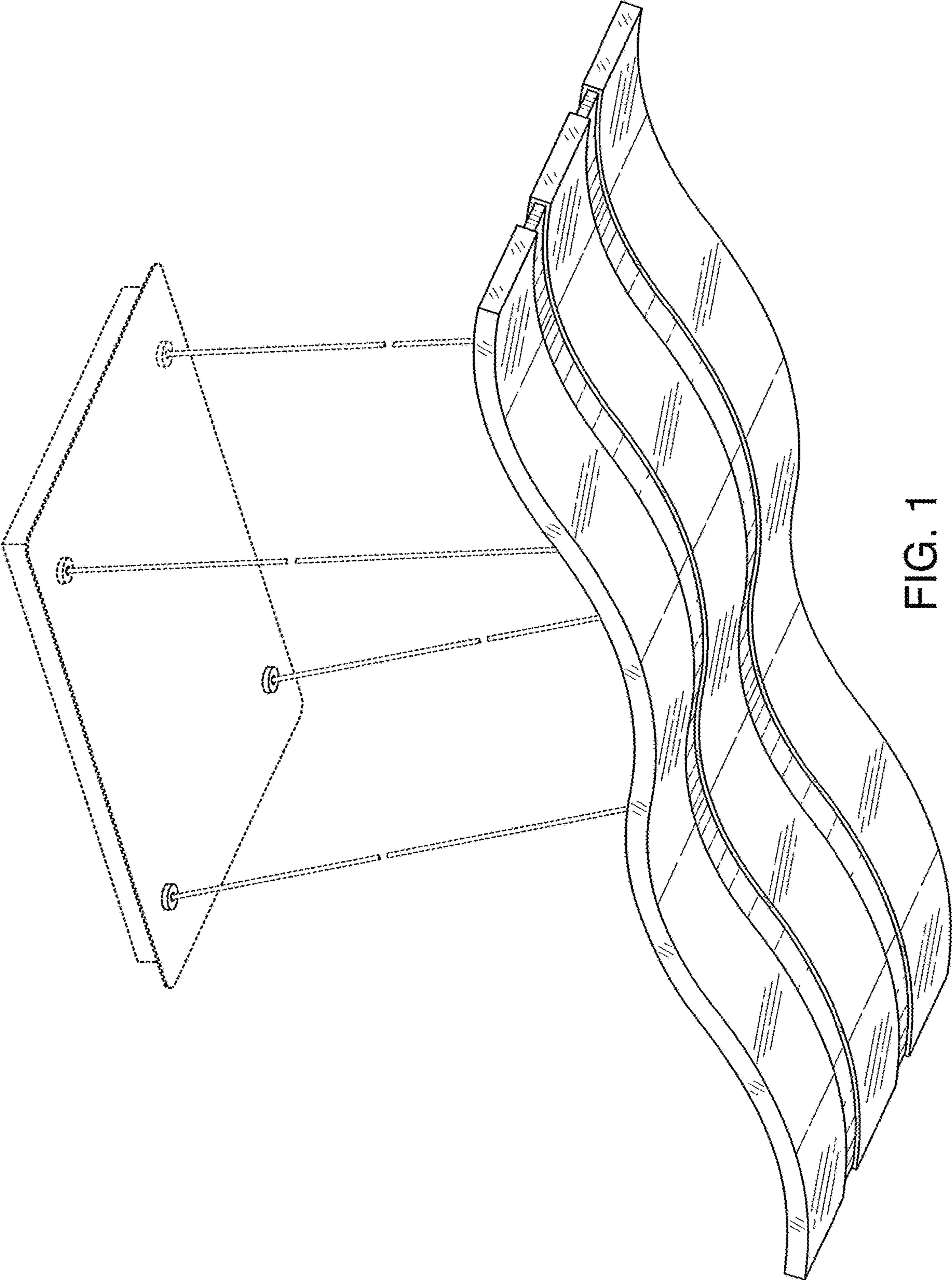


FIG. 1

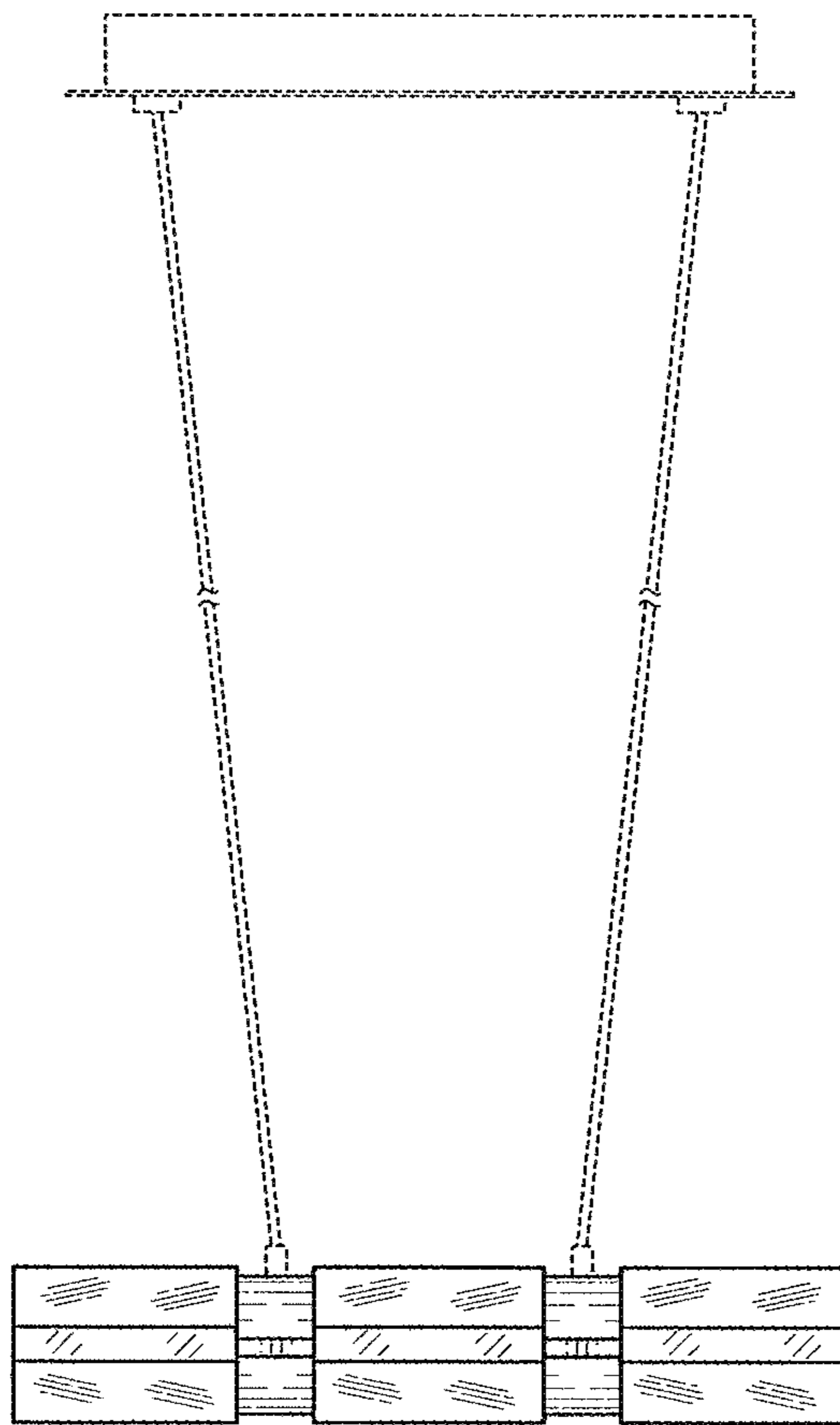


FIG. 2

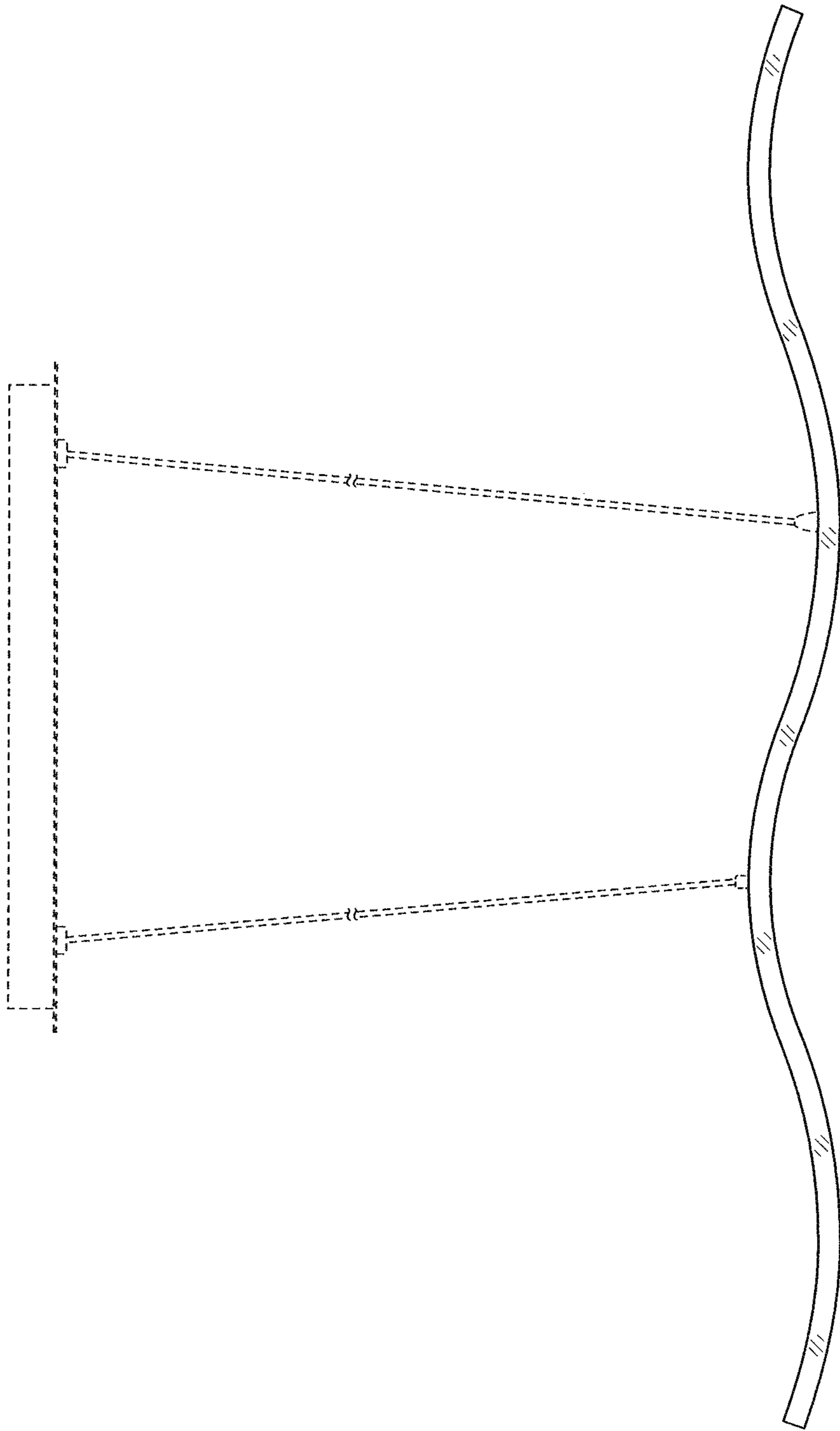


FIG. 3

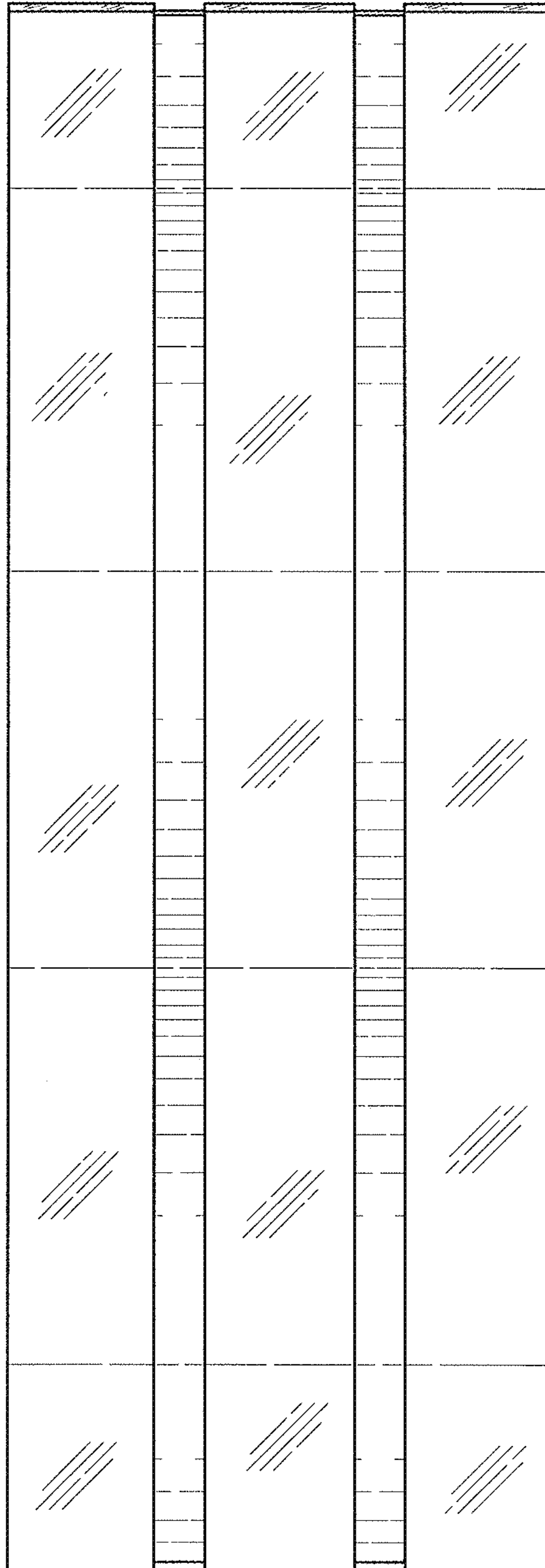


FIG. 4