



US00D870348S

(12) **United States Design Patent** (10) **Patent No.:** **US D870,348 S**
Schuyler (45) **Date of Patent:** **** Dec. 17, 2019**

- (54) **LIGHT FIXTURE**
- (71) Applicant: **SWAROVSKI LIGHTING, LTD.**,
Plattsburgh, NY (US)
- (72) Inventor: **Andrew Schuyler**, Colchester, VT (US)
- (73) Assignee: **SWAROVSKI LIGHTING, LTD.**,
Plattsburgh, NY (US)
- (**) Term: **15 Years**
- (21) Appl. No.: **29/648,547**
- (22) Filed: **May 22, 2018**

D711,578 S *	8/2014	Naddeo	D26/81
D713,586 S *	9/2014	Lastimosa	D26/81
D786,480 S *	5/2017	Dolan	D26/81
D809,178 S *	1/2018	Orozco	D26/81
D809,179 S *	1/2018	Orozco	D26/81
D822,270 S *	7/2018	Nishikawa	D26/155
D844,882 S *	4/2019	Schuyler et al.	
2006/0146548 A1 *	7/2006	Pazula	F21S 8/065 362/405

Related U.S. Application Data

- (62) Division of application No. 35/001,310, filed on Jan. 9, 2017 (U.S. filing date under 35 U.S.C. 384), and having an international filing date of Jan. 9, 2017, now Pat. No. Des. 844,882.
- (51) **LOC (12) Cl.** **26-05**
- (52) **U.S. Cl.**
USPC **D26/81**
- (58) **Field of Classification Search**
USPC ... D26/72, 73, 81, 84, 88, 90, 118, 127-137
CPC F21S 8/03; F21S 8/033; F21S 8/036; F21S 8/04; F21S 8/043; F21S 8/046; F21S 8/06; F21S 8/061; F21S 8/063; F21S 8/065; F21S 8/068
See application file for complete search history.

References Cited

U.S. PATENT DOCUMENTS

D578,700 S *	10/2008	Chen	D26/81
D583,089 S *	12/2008	Orozco	D26/81
D598,600 S *	8/2009	Chen	D26/81
D605,347 S *	12/2009	Miranda	D26/144
D636,519 S *	4/2011	Rabideau	D26/144
D685,944 S *	7/2013	Vivian	D26/81

OTHER PUBLICATIONS

Schuyler, Andrew, Design U.S. Appl. No. 29/648,525 entitled "Light Fixture" filed May 22, 2018.
 Schuyler, Andrew, Design U.S. Appl. No. 29/648,540 entitled "Light Fixture" filed May 22, 2018.
 Schuyler, Andrew, Design U.S. Appl. No. 29/648,558 entitled "Light Fixture" filed May 22, 2018.

* cited by examiner

Primary Examiner — Darlington Ly
 (74) *Attorney, Agent, or Firm* — Heslin Rothenberg Farley & Mesiti P.C.

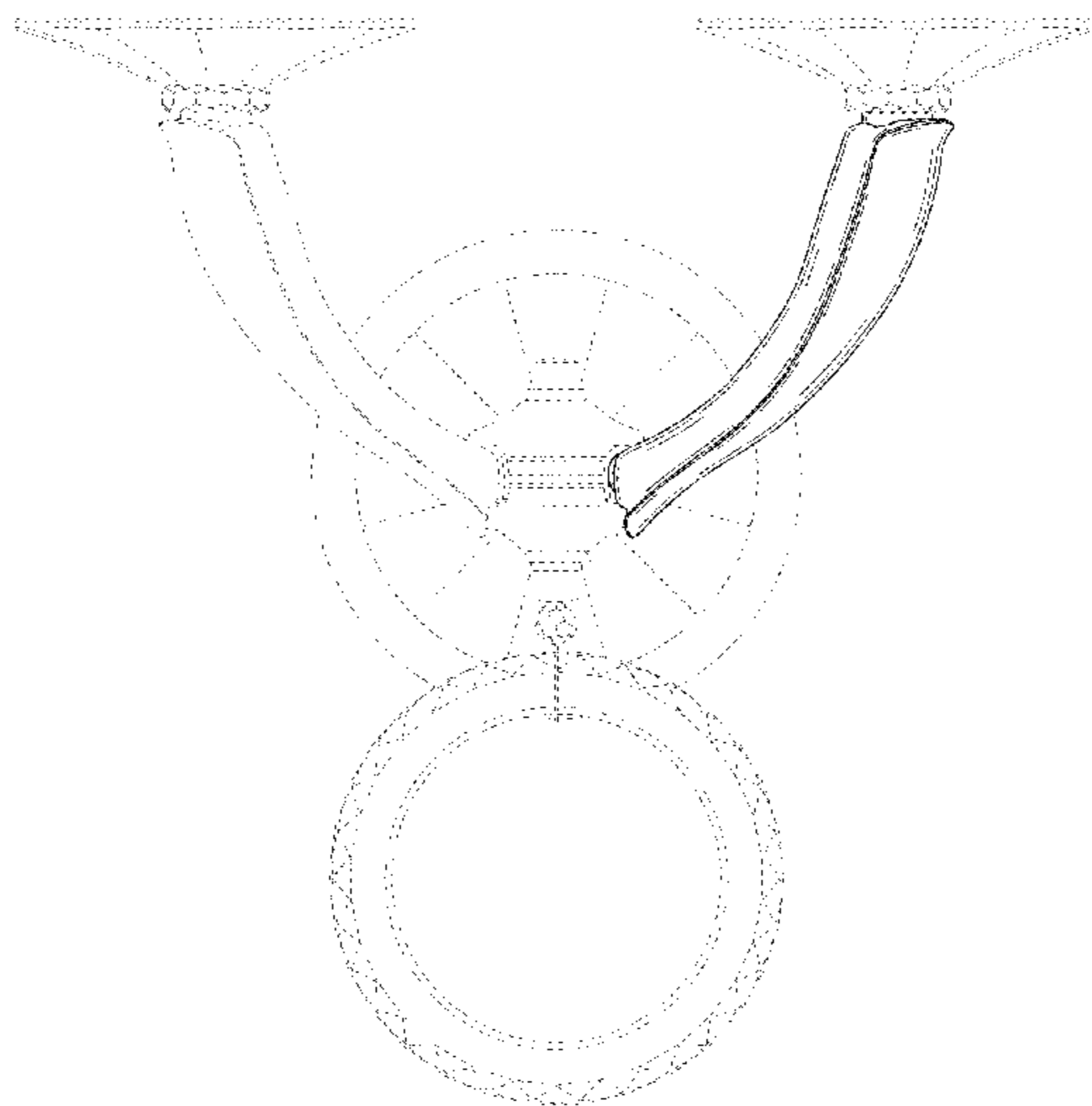
(57) **CLAIM**

The ornamental design for a light fixture, as shown and described.

DESCRIPTION

FIG. 1 is a perspective view of the light fixture of the present design;
 FIG. 2 is a front elevation view thereof;
 FIG. 3 is a rear elevation view thereof;
 FIG. 4 is a top plan view thereof;
 FIG. 5 is a bottom plan view thereof;
 FIG. 6 is a left elevation view thereof; and,
 FIG. 7 is a right elevation view thereof.
 The portions of the light fixture shown in broken lines form no part of the claimed design.

1 Claim, 7 Drawing Sheets



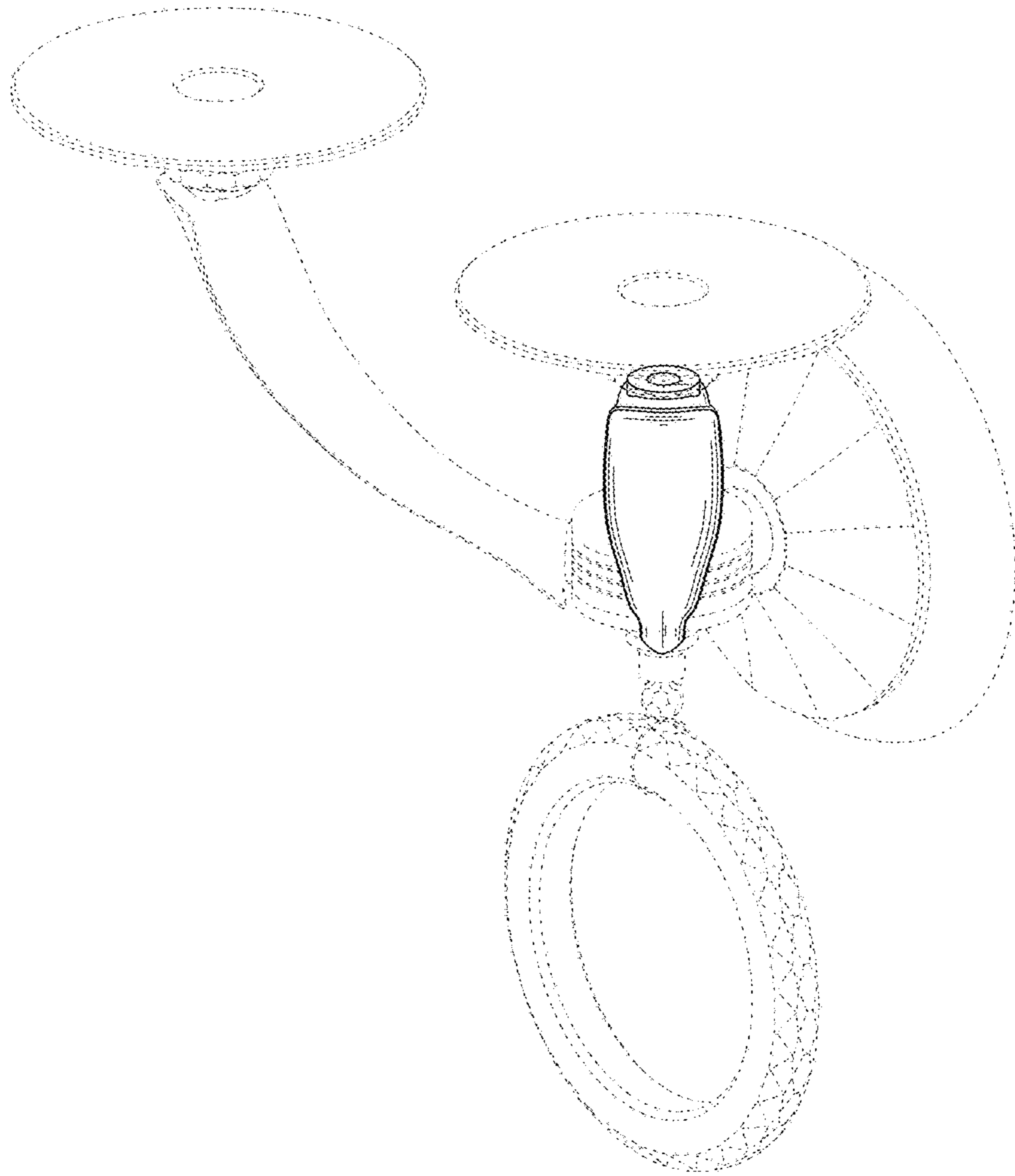


FIG. 1

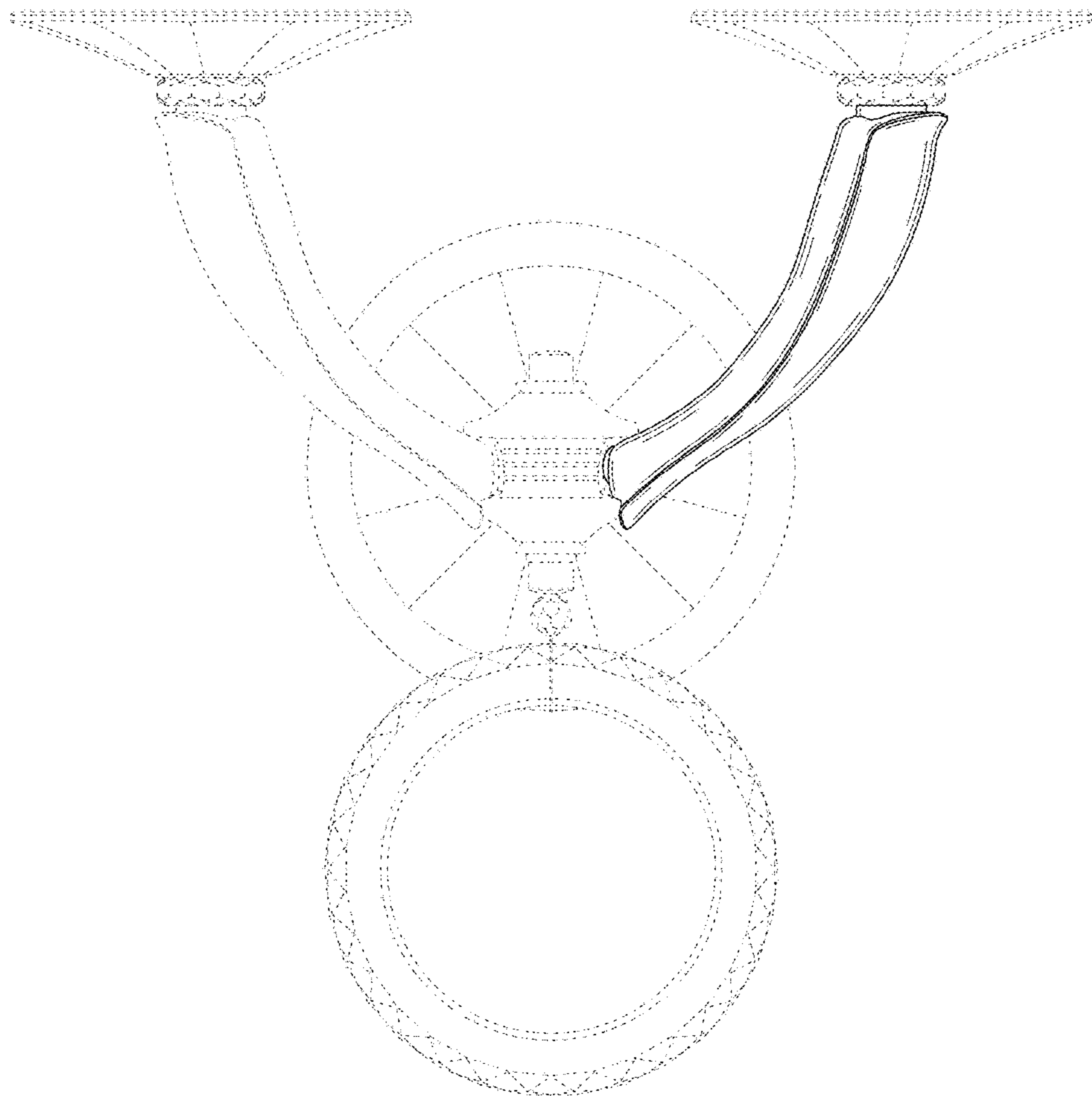


FIG. 2

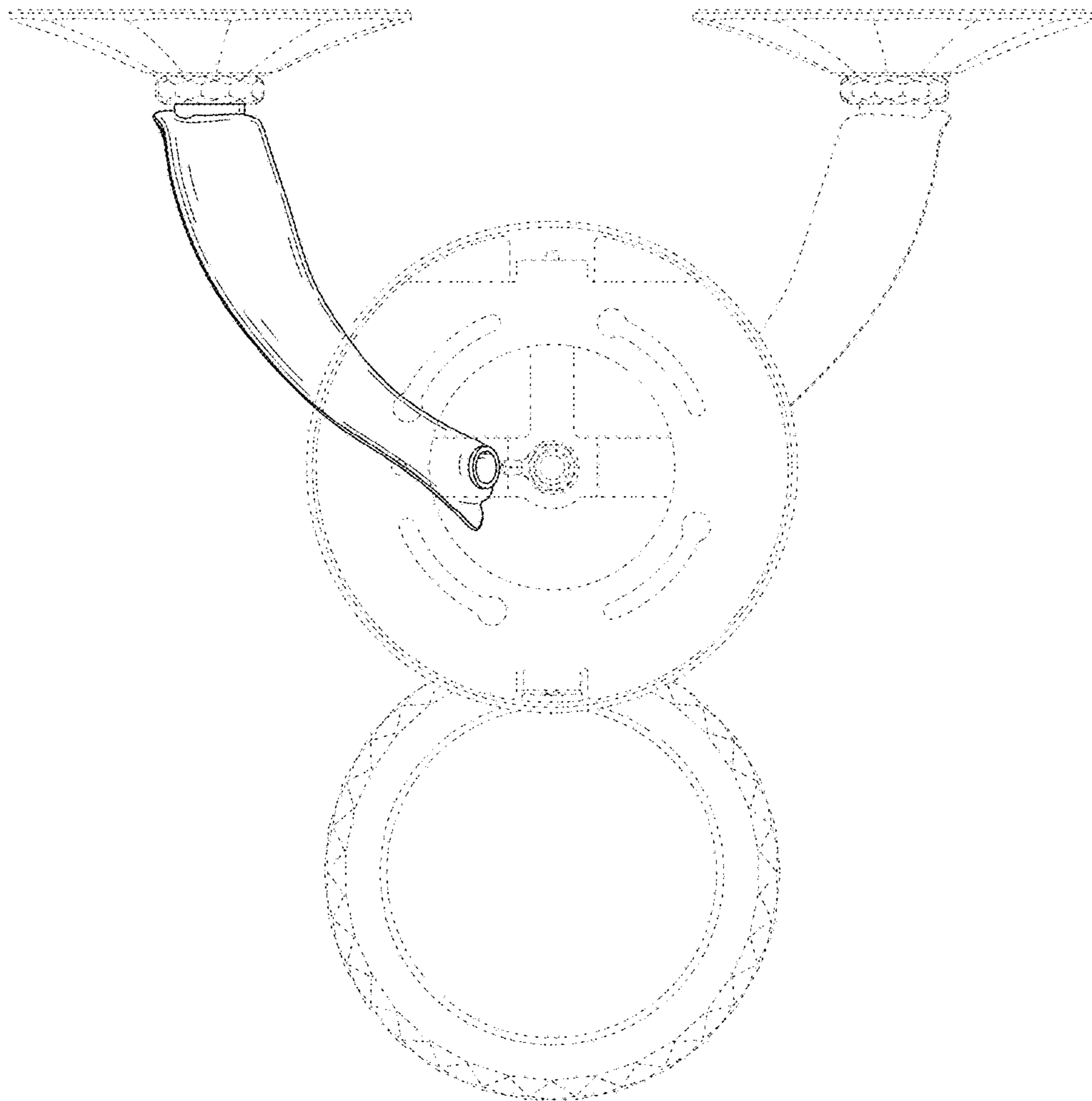


FIG. 3

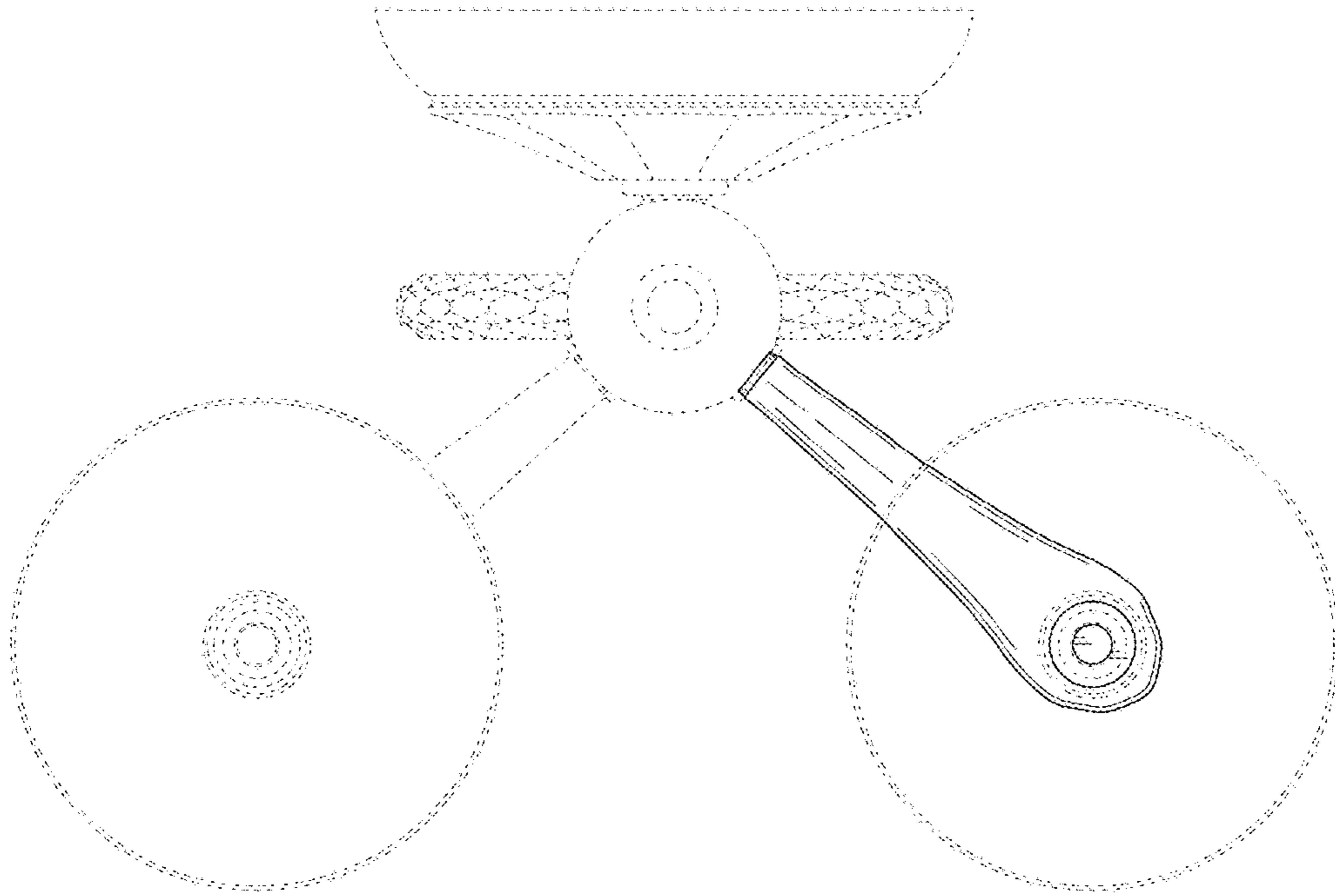


FIG. 4

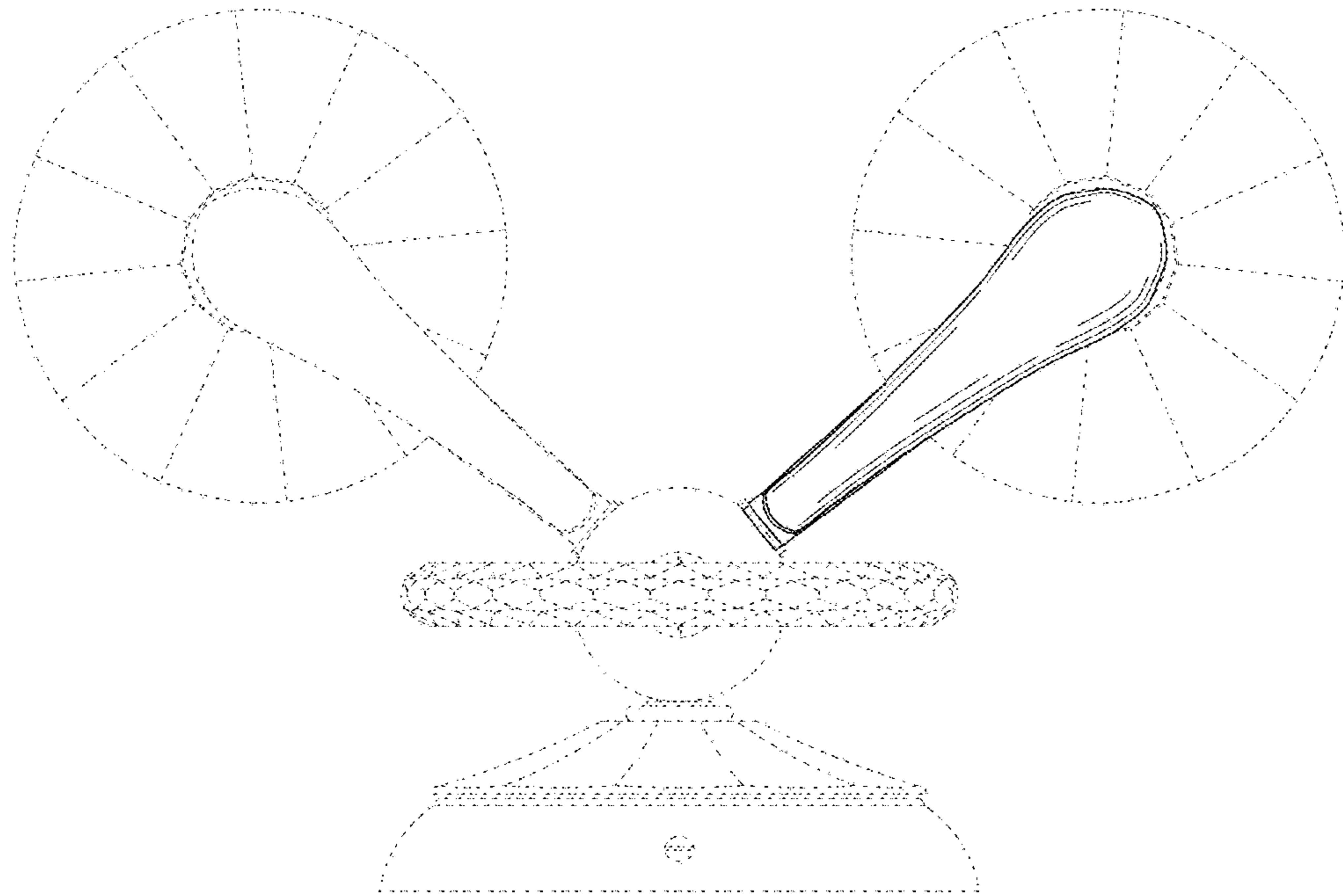


FIG. 5

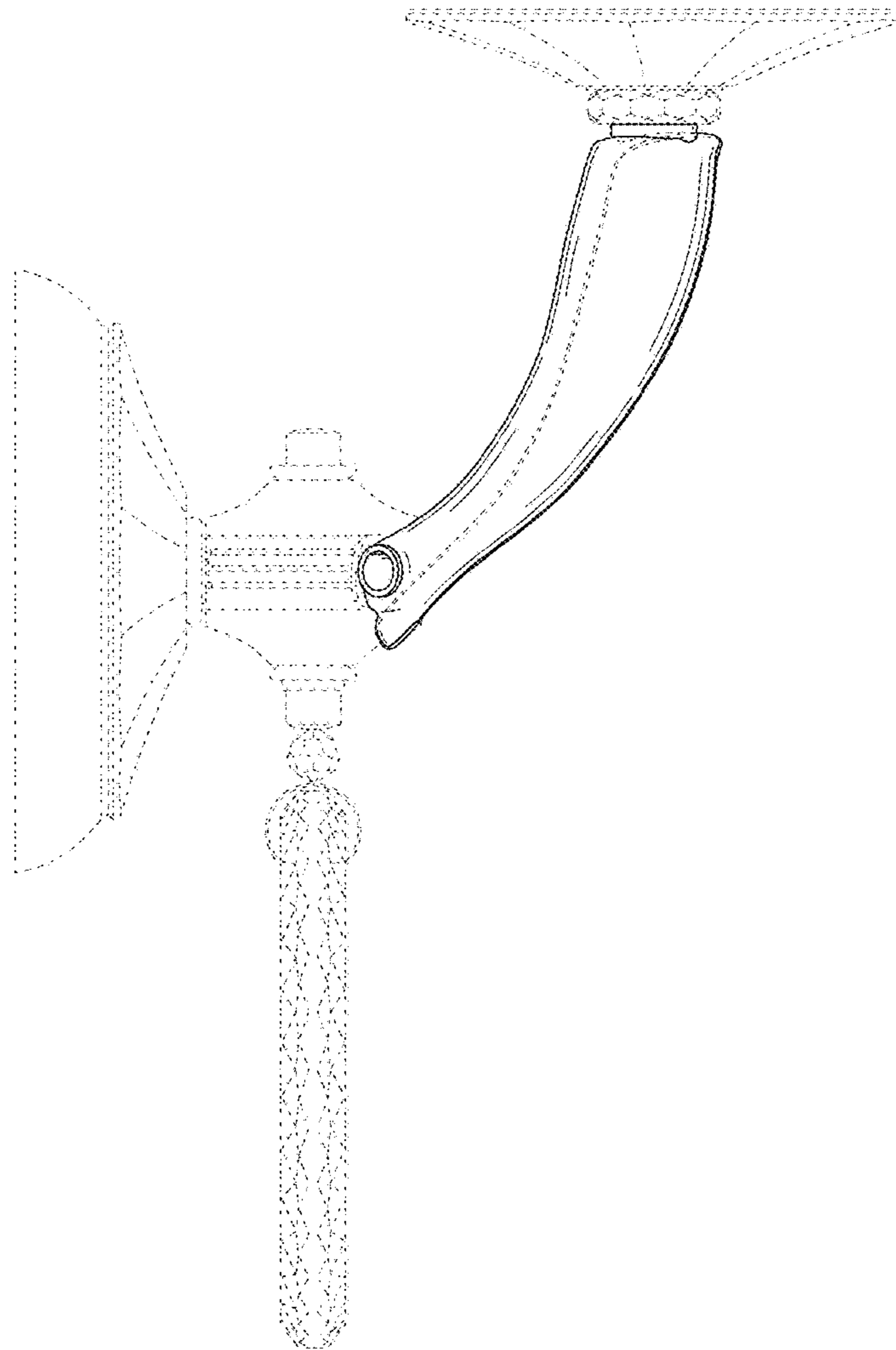


FIG. 6

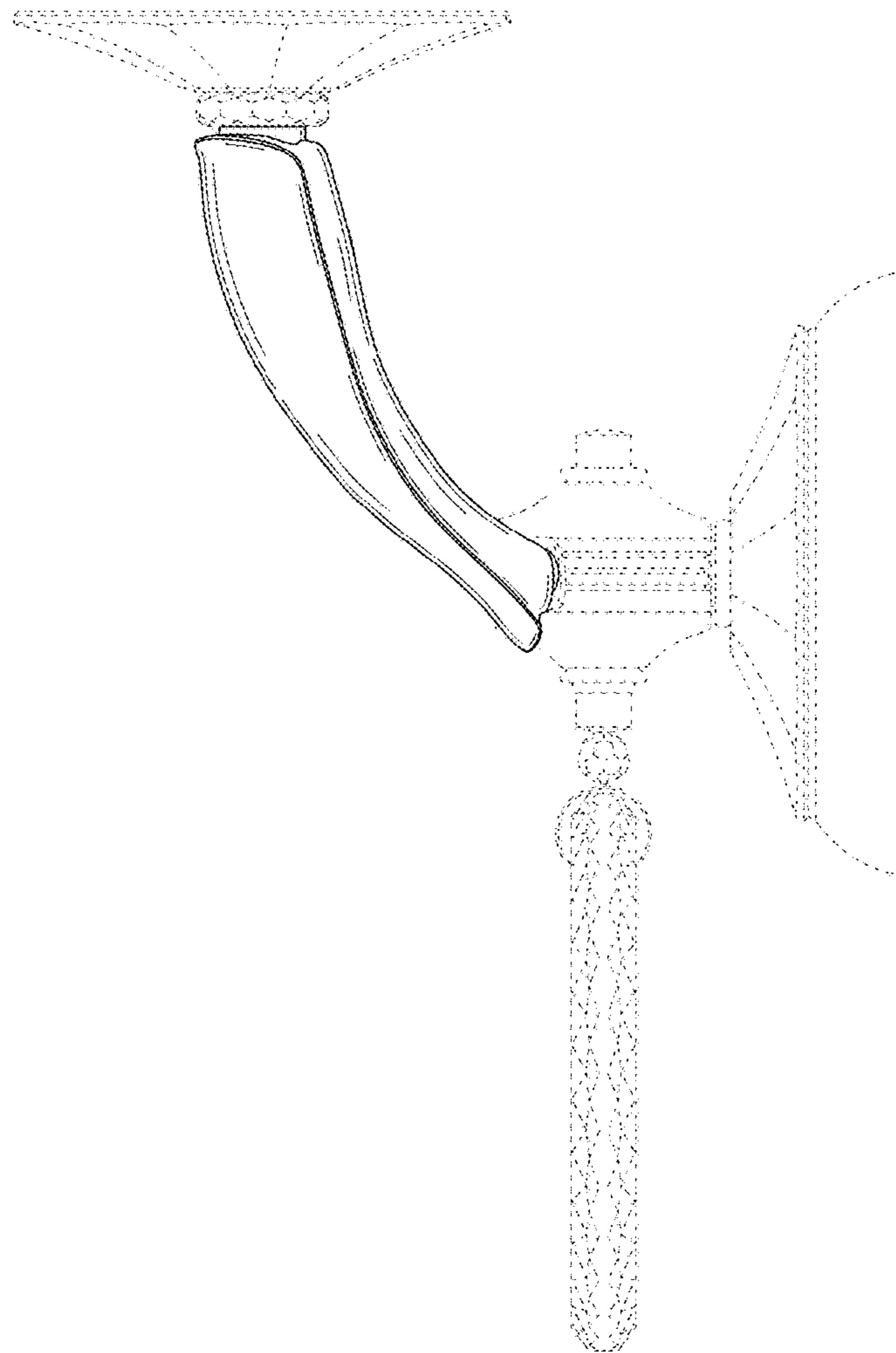


FIG. 7