



US00D870346S

(12) **United States Design Patent** (10) **Patent No.:** **US D870,346 S**  
**Deng** (45) **Date of Patent:** **\*\* Dec. 17, 2019**

(54) **PLANT GROW LIGHT**  
(71) Applicant: **DONGGUAN PAN AMERICAN ELECTRONICS CO., LTD,**  
DongGuan, GuangDong (CN)  
(72) Inventor: **Jinsheng Deng,** DongGuan (CN)  
(73) Assignee: **DONGGUAN PAN AMERICAN ELECTRONICS CO., LTD,** Dongguan (CN)

(\*\*) Term: **15 Years**

(21) Appl. No.: **29/660,908**

(22) Filed: **Aug. 23, 2018**

(30) **Foreign Application Priority Data**

May 30, 2018 (CN) ..... 2018 3 0264760

(51) **LOC (12) Cl.** ..... **26-04**

(52) **U.S. Cl.**  
USPC ..... **D26/76**

(58) **Field of Classification Search**  
USPC ..... D26/24, 39, 59, 67, 68, 69, 70, 71, 72,  
D26/74, 76, 77, 80, 88, 89, 138, 25-28,  
D26/37, 75, 78, 85, 104, 108, 142  
CPC ..... F21S 2/00; F21S 4/00; F21S 4/003; F21S  
4/005; F21S 4/006; F21S 4/007; F21S  
4/008; F21S 6/00; F21S 8/00; F21S 8/04  
See application file for complete search history.

(56) **References Cited**

**U.S. PATENT DOCUMENTS**

D496,121 S \* 9/2004 Santoro ..... D26/74  
D592,786 S \* 5/2009 Bisberg ..... D26/76  
D596,778 S \* 7/2009 Yamazato ..... D26/76  
D693,048 S \* 11/2013 Ng ..... D26/76  
D709,636 S \* 7/2014 Murata ..... D26/72

D754,902 S \* 4/2016 Parker ..... D26/76  
D756,016 S \* 5/2016 Hargreaves ..... D26/79  
D757,325 S \* 5/2016 Stanley ..... D26/76  
D757,326 S \* 5/2016 Reynolds ..... D26/76  
D783,877 S \* 4/2017 Liu ..... D26/76  
D797,344 S \* 9/2017 Yorio ..... D26/78  
D802,820 S \* 11/2017 Stromberg ..... D26/76  
D804,077 S \* 11/2017 Ma ..... D26/76  
D833,052 S \* 11/2018 Verfueth ..... D26/76  
D853,012 S \* 7/2019 Zhou ..... D26/76  
D854,727 S \* 7/2019 Cole ..... D26/76

\* cited by examiner

*Primary Examiner* — Mark A Goodwin

*Assistant Examiner* — Benjamin M Weeks

(74) *Attorney, Agent, or Firm* — Ladas & Parry LLP

(57) **CLAIM**

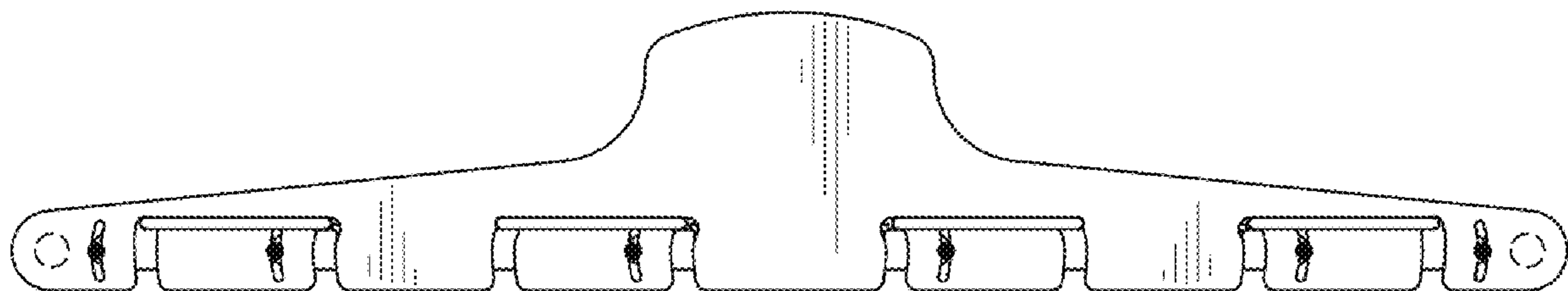
The ornamental design for a plant grow light, as shown and described.

**DESCRIPTION**

FIG. 1 is a front elevational view of a plant grow light showing my new design;  
FIG. 2 is a rear elevational view thereof;  
FIG. 3 is a right side elevational view thereof;  
FIG. 4 is a left side elevational view thereof;  
FIG. 5 is a top plan view thereof; and  
FIG. 6 is a bottom plan view thereof.  
FIG. 7 is a rear, bottom, and right perspective view thereof;  
FIG. 8 is a front, top, and left perspective view thereof;  
FIG. 9 is an enlarged view of the circled portion 9 of FIG. 7; and,  
FIG. 10 is an enlarged view of the circled portion 10 of FIG. 7.

The broken lines in the figures are included for the purpose of illustrating portions of the article which form no part of the claimed design.

**1 Claim, 10 Drawing Sheets**



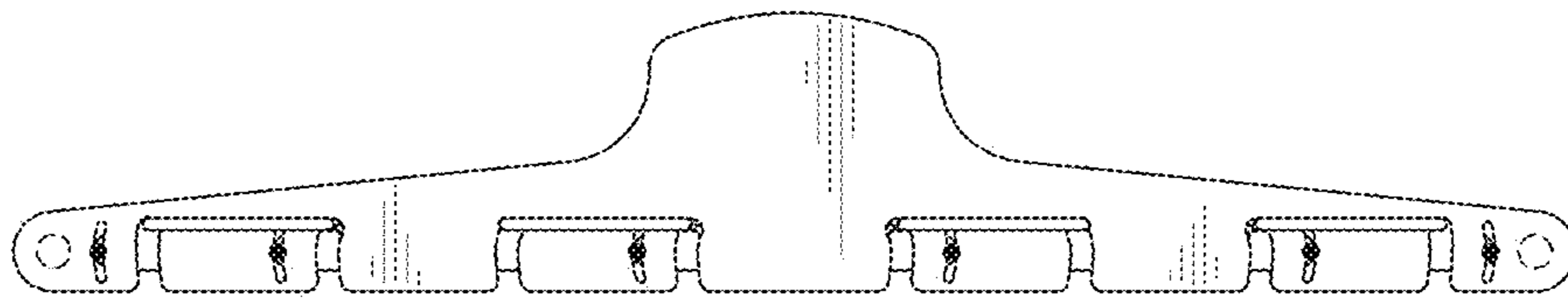


FIG. 1

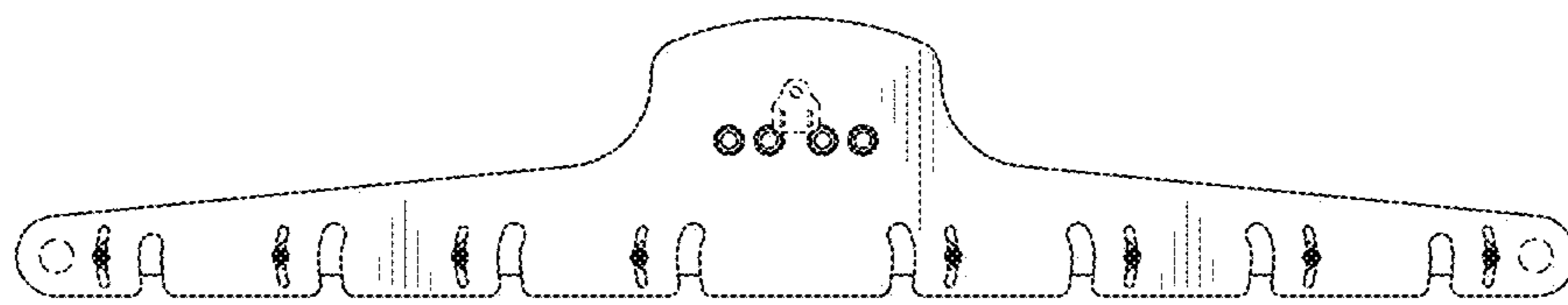


FIG. 2

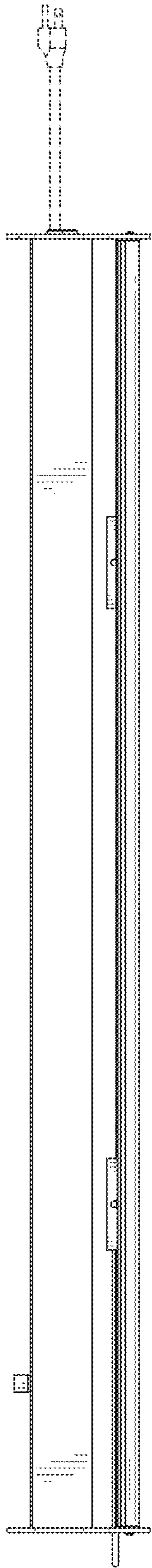


FIG. 3

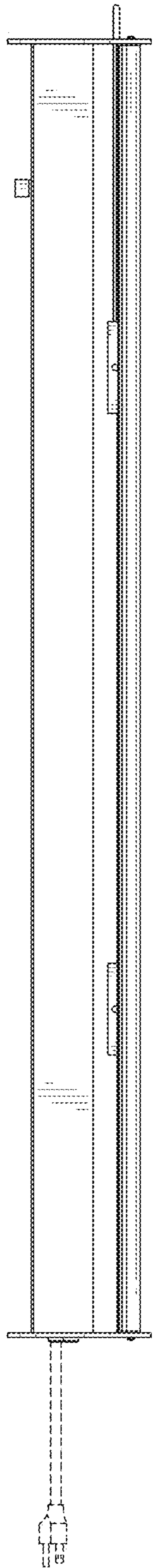


FIG. 4

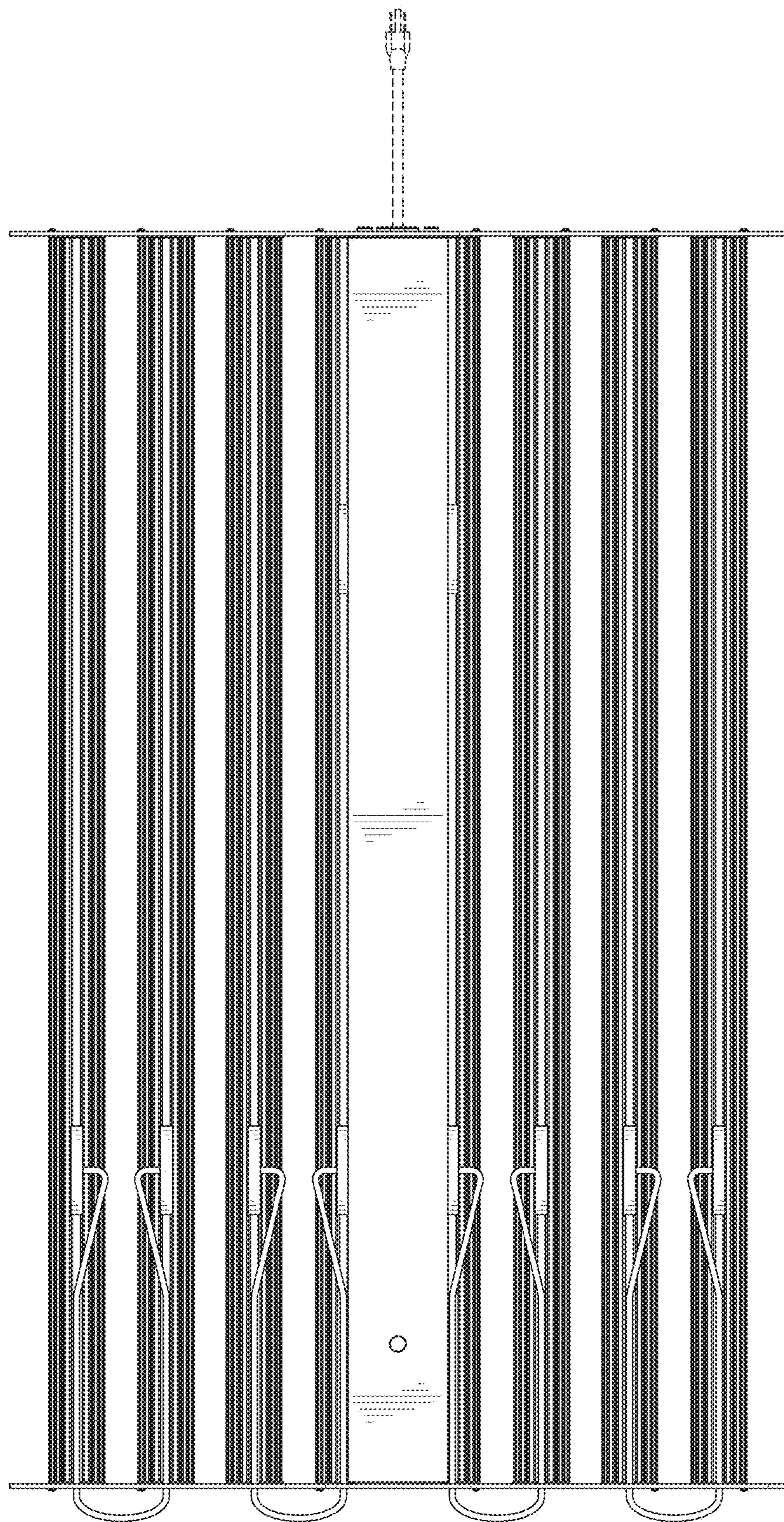


FIG. 5

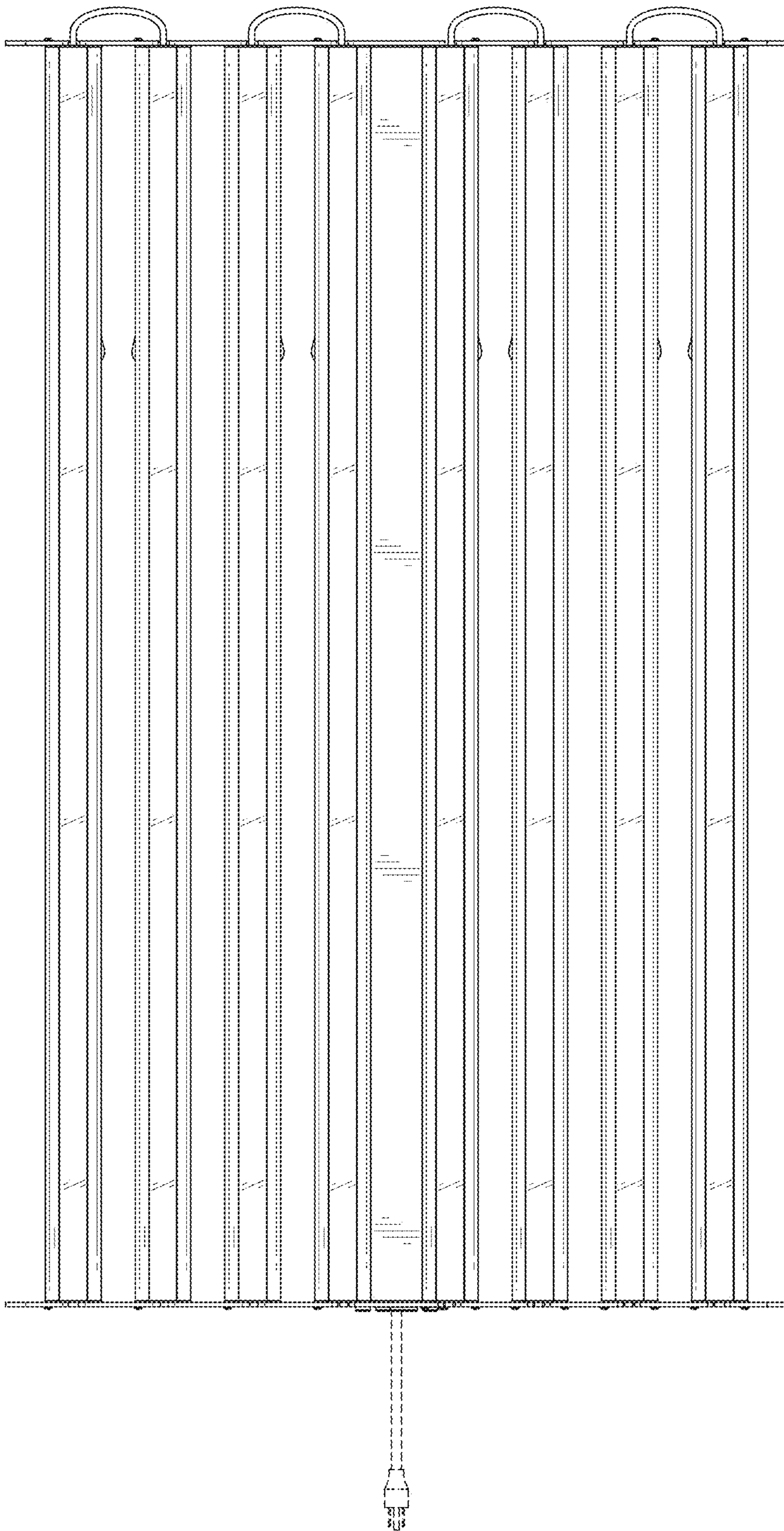


FIG. 6

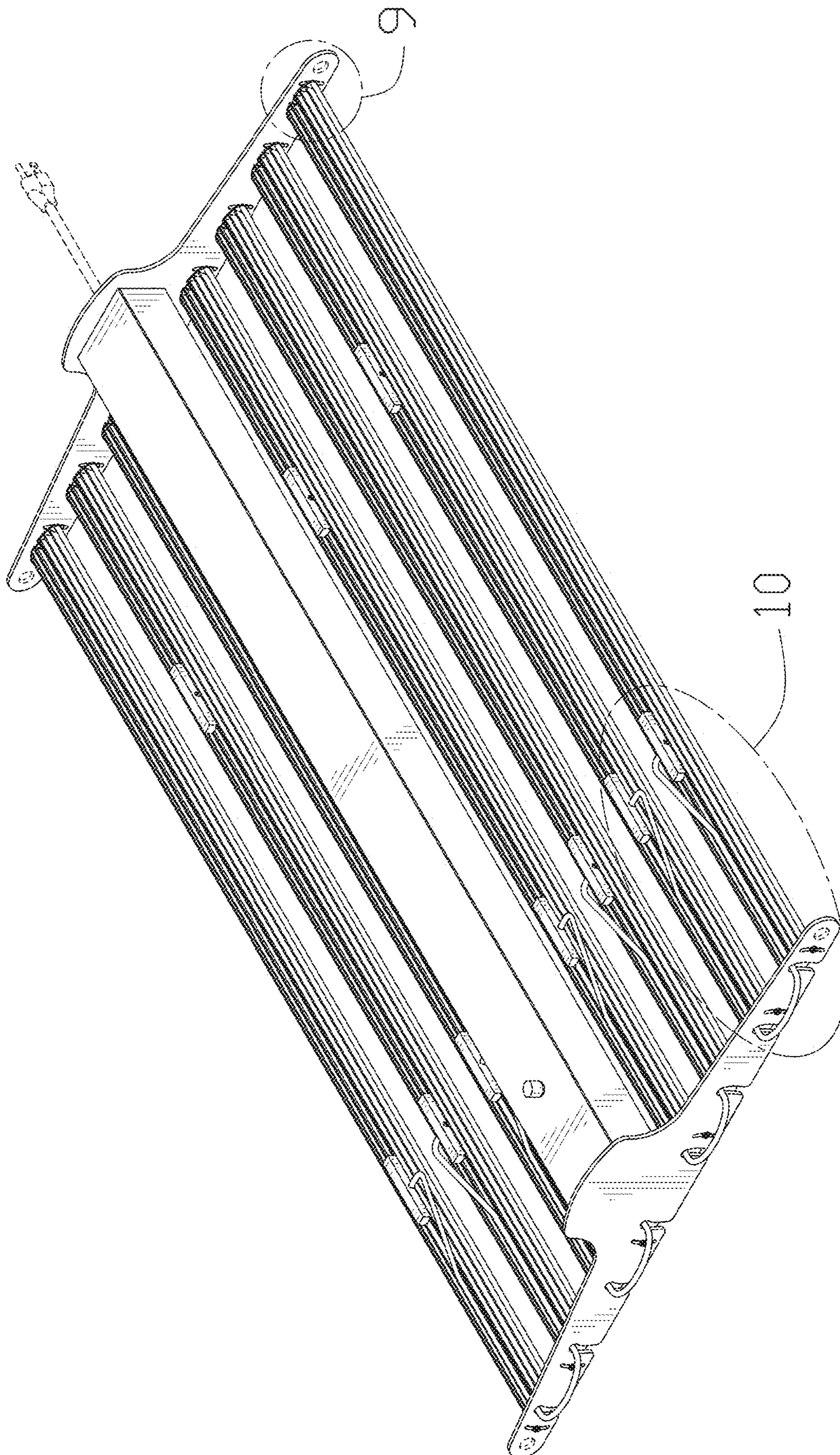


FIG. 7



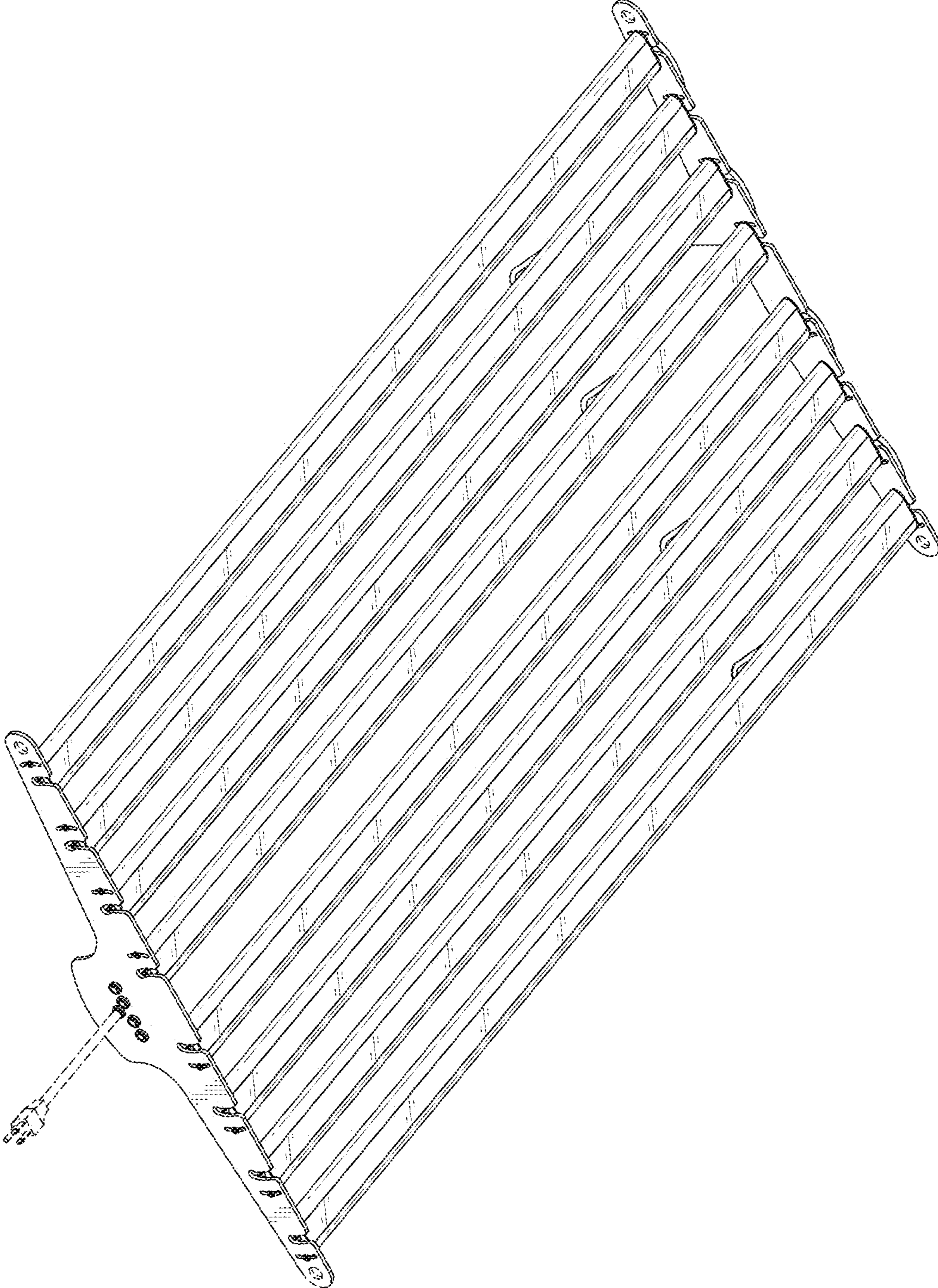


FIG. 8

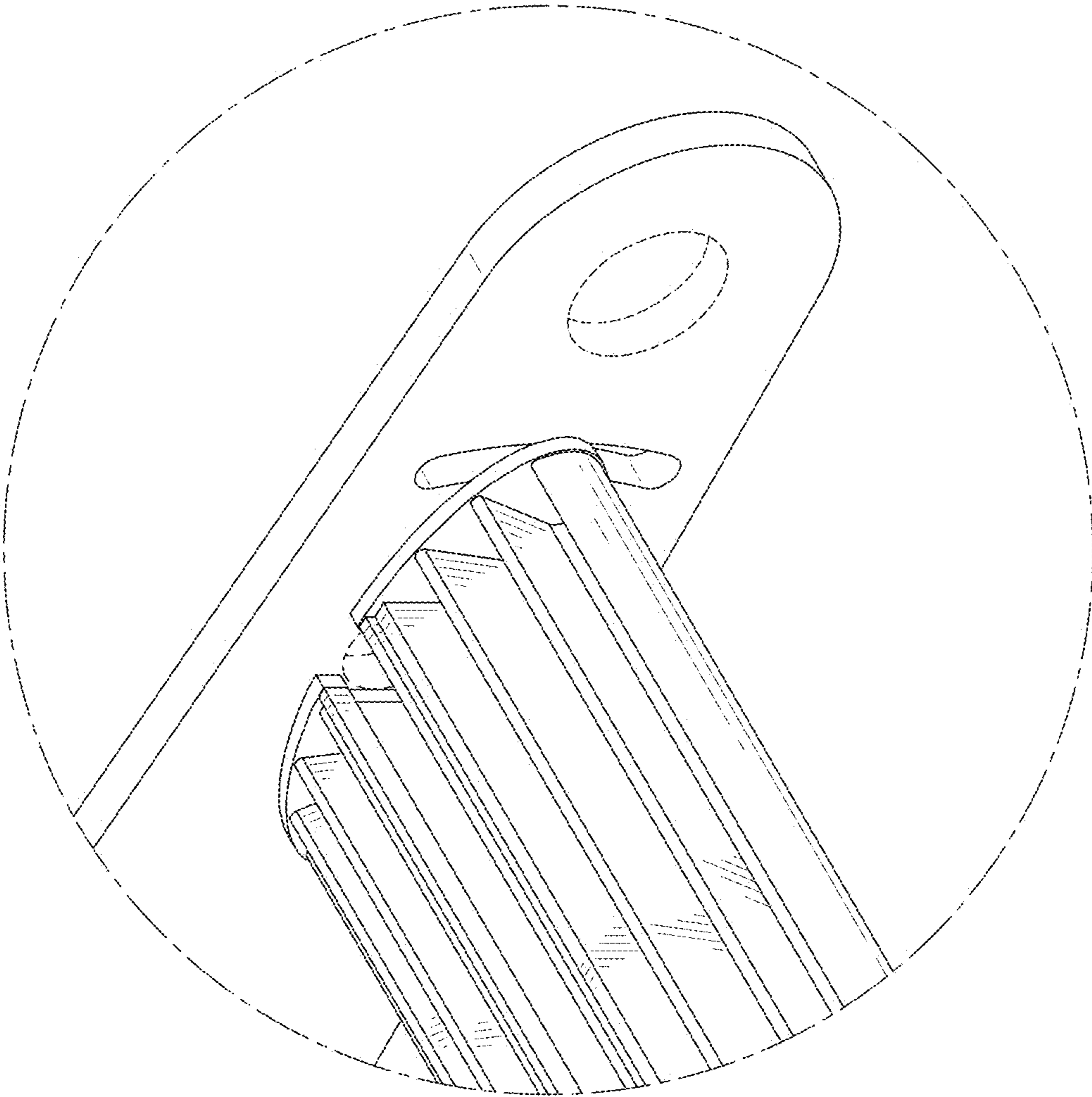


FIG. 9

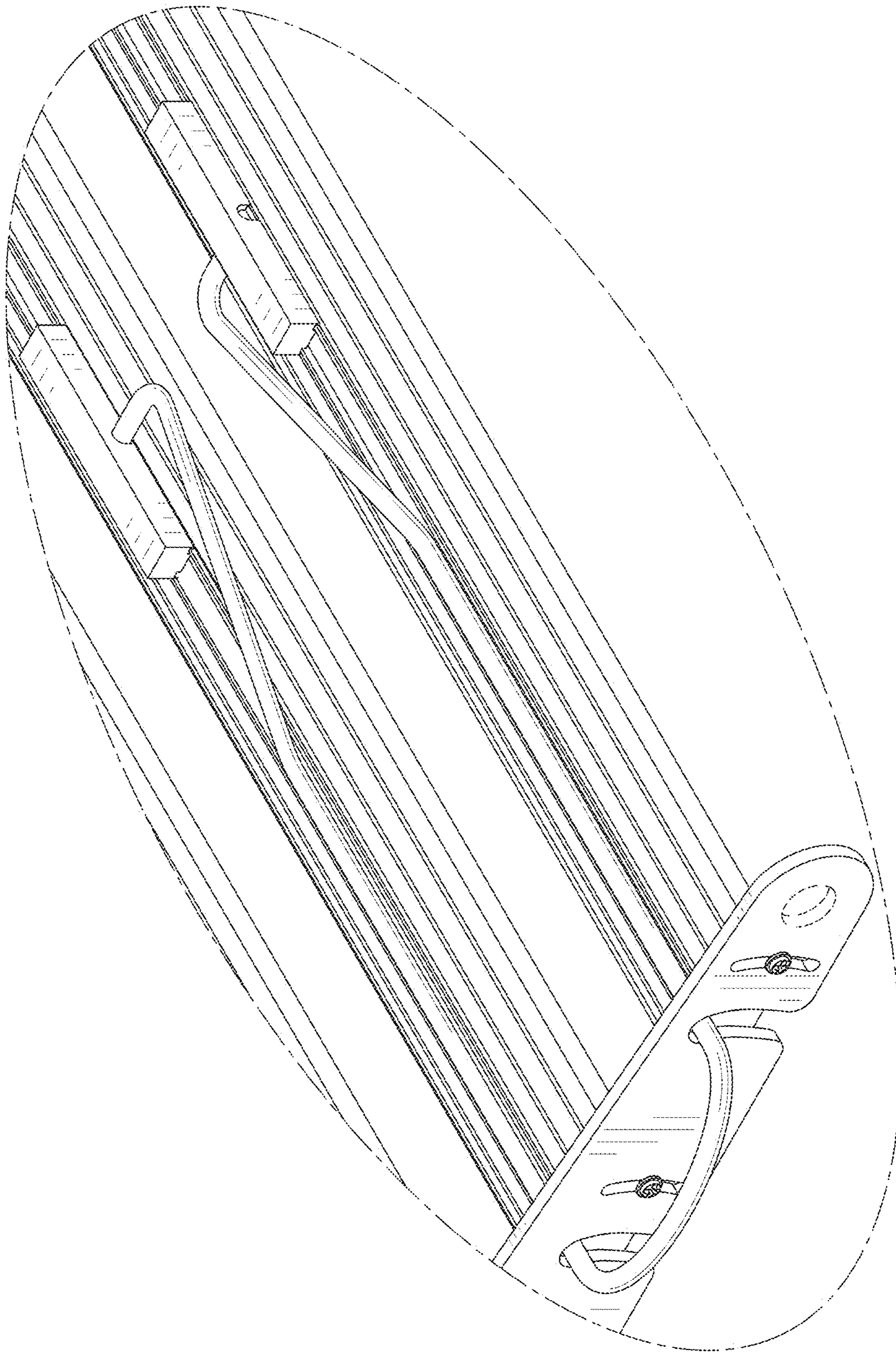


FIG. 10