



US00D870345S

(12) **United States Design Patent** (10) **Patent No.:** **US D870,345 S**
Hartman (45) **Date of Patent:** **** Dec. 17, 2019**

(54) **LIGHT FIXTURE**
(71) Applicant: **Hartman Design, Inc.**, Wernersville, PA (US)
(72) Inventor: **Michael S. Hartman**, Sinking Spring, PA (US)
(73) Assignee: **Hartman Design, Inc.**, Wernersville, PA (US)
(**) Term: **15 Years**

D610,293 S * 2/2010 Klaus D26/76
D647,241 S * 10/2011 Takahashi D26/76
8,079,744 B2 12/2011 Tsao et al.
8,092,053 B1 1/2012 Kopp
D663,065 S * 7/2012 Beghelli D26/76
D695,942 S * 12/2013 Ng D26/75
D709,636 S * 7/2014 Murata D26/72
D712,081 S * 8/2014 Murata D26/72
D732,226 S * 6/2015 Hartman D26/76

(Continued)

Primary Examiner — Natasha Vujcic
(74) *Attorney, Agent, or Firm* — Fox Rothschild LLP

(21) Appl. No.: **29/610,381**
(22) Filed: **Jul. 12, 2017**

(57) **CLAIM**
The ornamental design for a light fixture, as shown and described.

Related U.S. Application Data

DESCRIPTION

(62) Division of application No. 29/524,197, filed on Apr. 17, 2015, now Pat. No. Des. 794,240, which is a division of application No. 29/483,996, filed on Mar. 5, 2014, now Pat. No. Des. 732,226.

FIG. 1 is a front perspective view of an embodiment of a light fixture showing my new design;
FIG. 2 is a right side elevational view thereof, the left side being a mirror image;
FIG. 3 is a top plan view thereof;
FIG. 4 is a front side elevational view thereof, the rear side being a mirror image;
FIG. 5 is a bottom plan view thereof;
FIG. 6 is a front perspective view of a second embodiment of a light fixture;
FIG. 7 is a right side elevational view thereof, the left side being a mirror image;
FIG. 8 is a front side elevational view thereof, the rear side being a mirror image;
FIG. 9 is a top plan view thereof; and,
FIG. 10 is a bottom plan view thereof.
The broken lines in the drawings illustrate portions of the light fixture and form no part of the claimed design.
The break lines in the drawings indicate that the appearance of any portion of the light fixture between the break lines forms no part of the claimed design.

(51) **LOC (12) Cl.** **26-04**
(52) **U.S. Cl.**
USPC **D26/76**

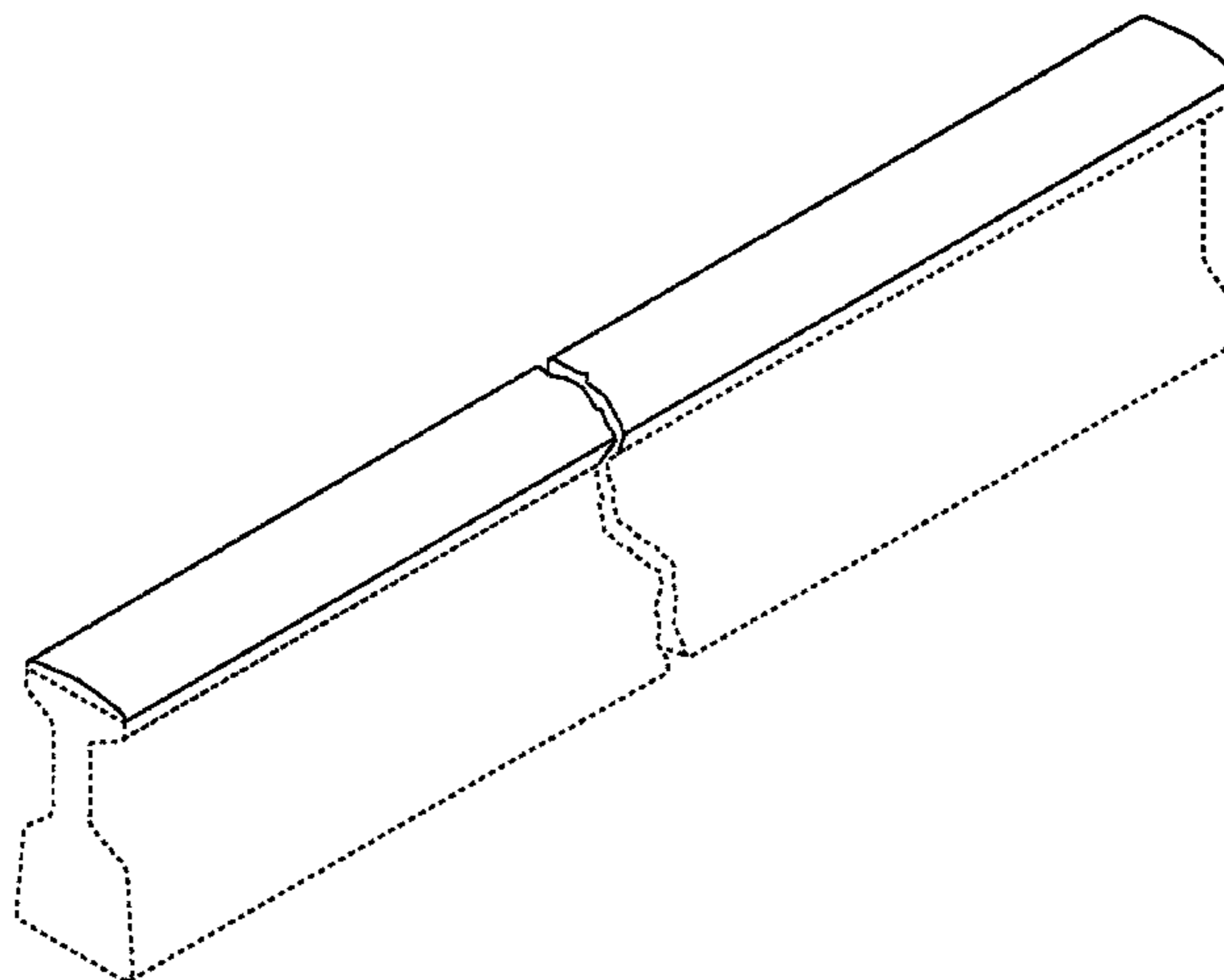
(58) **Field of Classification Search**
USPC D26/72, 74, 76, 78-83, 85, 86, 88, 90, D26/93, 111, 113, 118, 119, 120, 121, D26/122, 138, 139, 140, 141, 142, 152
CPC F21S 2/00; F21S 4/00; F21S 4/003; F21S 4/005; F21S 4/006; F21S 4/007; F21S 4/008; F21S 6/00; F21S 8/00; F21S 8/024; F21S 8/026; F21S 8/031; F21S 8/033; F21S 8/035-037; F21S 8/04; F21S 8/043; F21S 8/063

See application file for complete search history.

(56) **References Cited**
U.S. PATENT DOCUMENTS

D295,329 S * 4/1988 Roos D26/75
6,082,886 A 7/2000 Stanford

1 Claim, 3 Drawing Sheets



(56)

References Cited

U.S. PATENT DOCUMENTS

D735,392	S	7/2015	Ng	
9,169,607	B2	10/2015	Schweizer et al.	
D774,235	S	12/2016	Wilke et al.	
9,618,169	B2	4/2017	Hartman	
D790,947	S *	7/2017	Key	D8/315
D791,998	S *	7/2017	Lonsdale	D26/76
D794,240	S *	8/2017	Hartman	D26/76
D840,085	S *	2/2019	Deng	D26/76
D850,706	S *	6/2019	Pearson	F21S 8/033
				D26/120
2015/0300608	A1 *	10/2015	Hartman	F21V 31/04
				362/145

* cited by examiner

FIG. 1

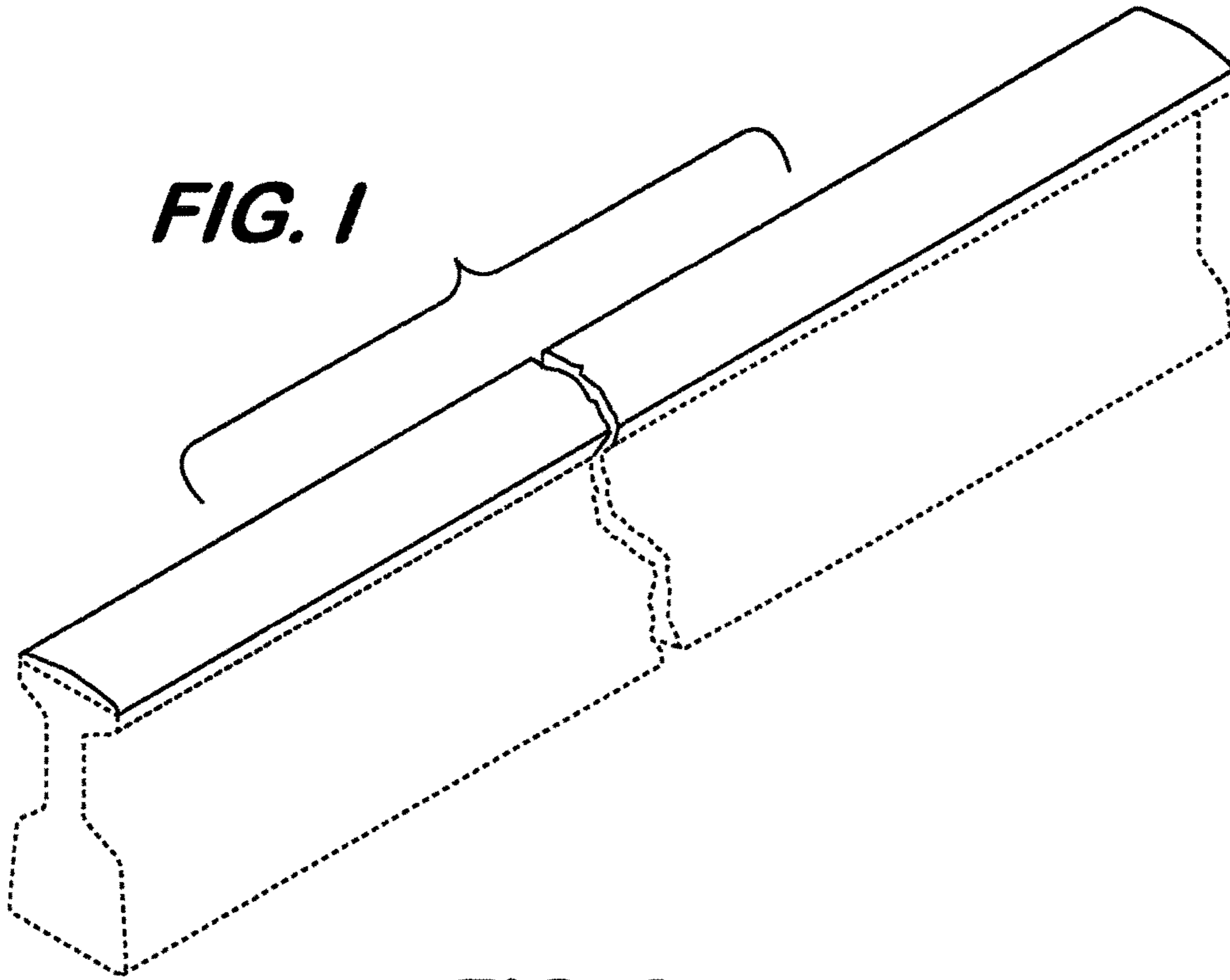


FIG. 2

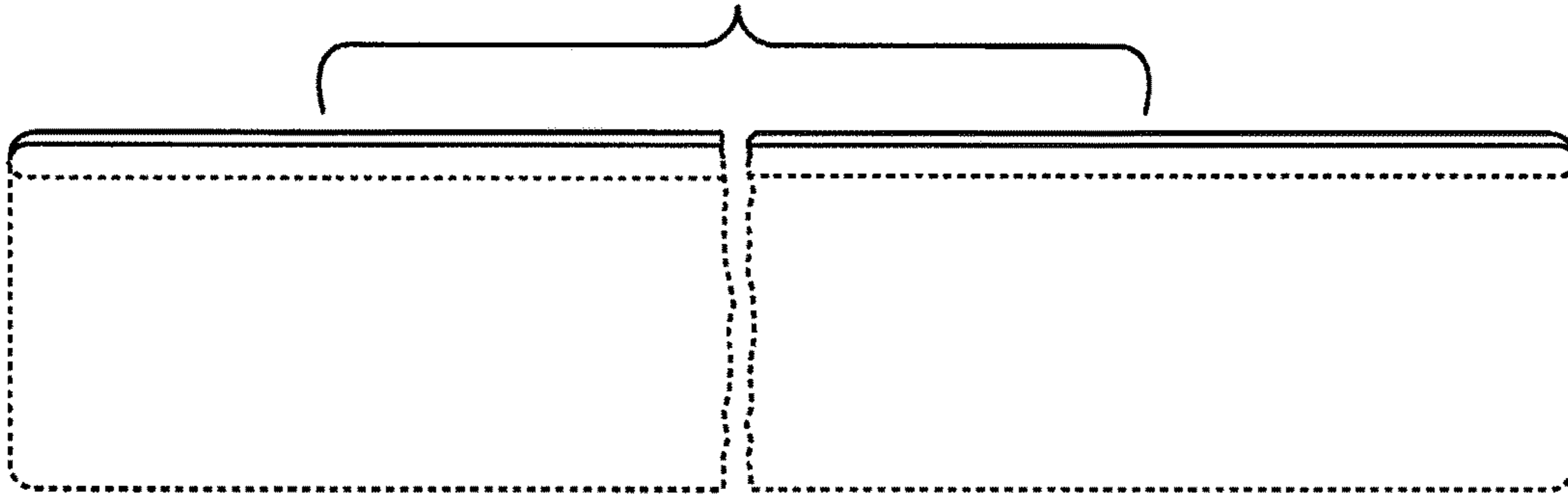


FIG. 3

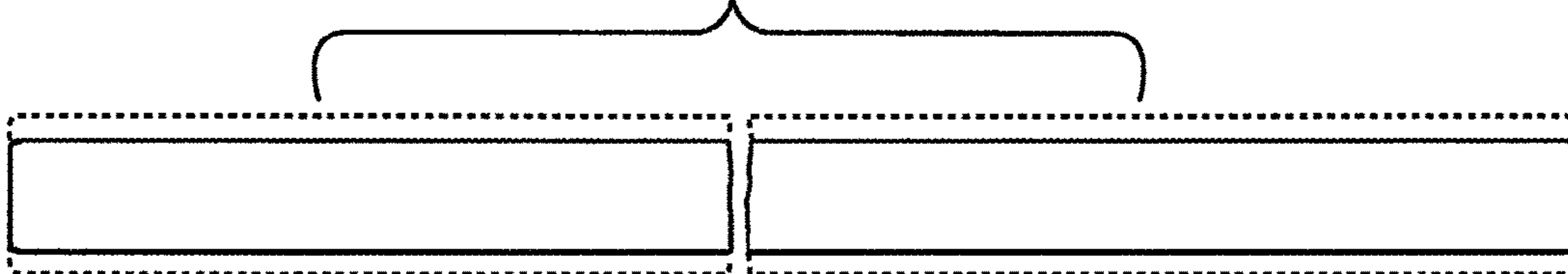


FIG. 4

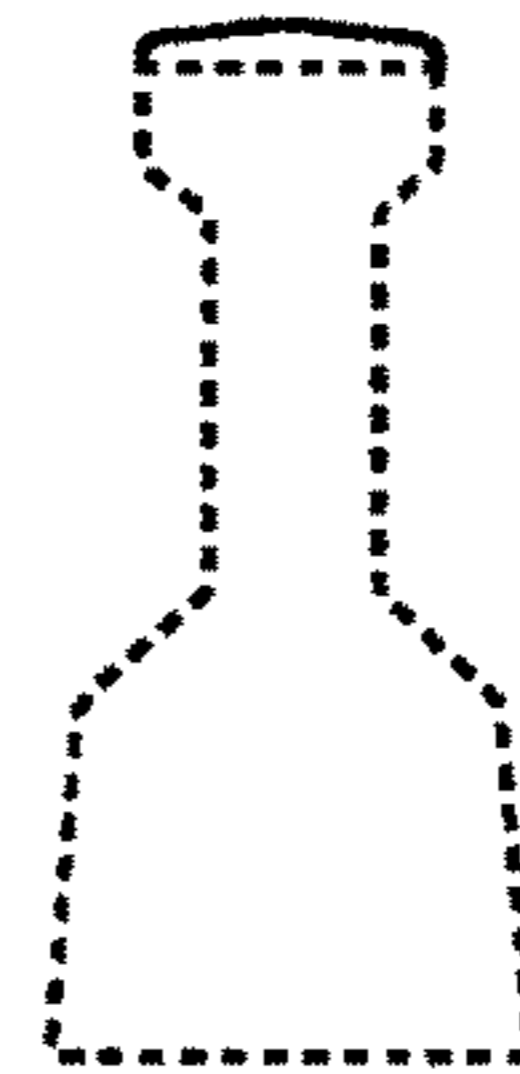


FIG. 5

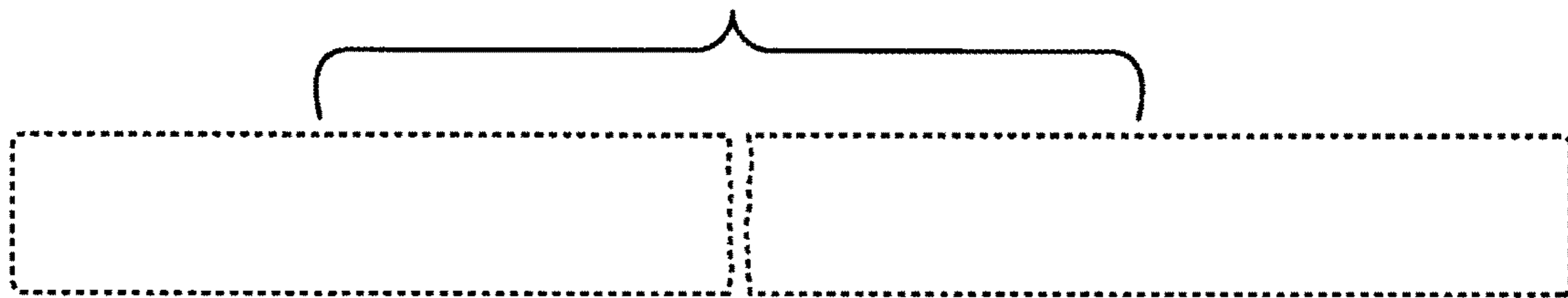


FIG. 6

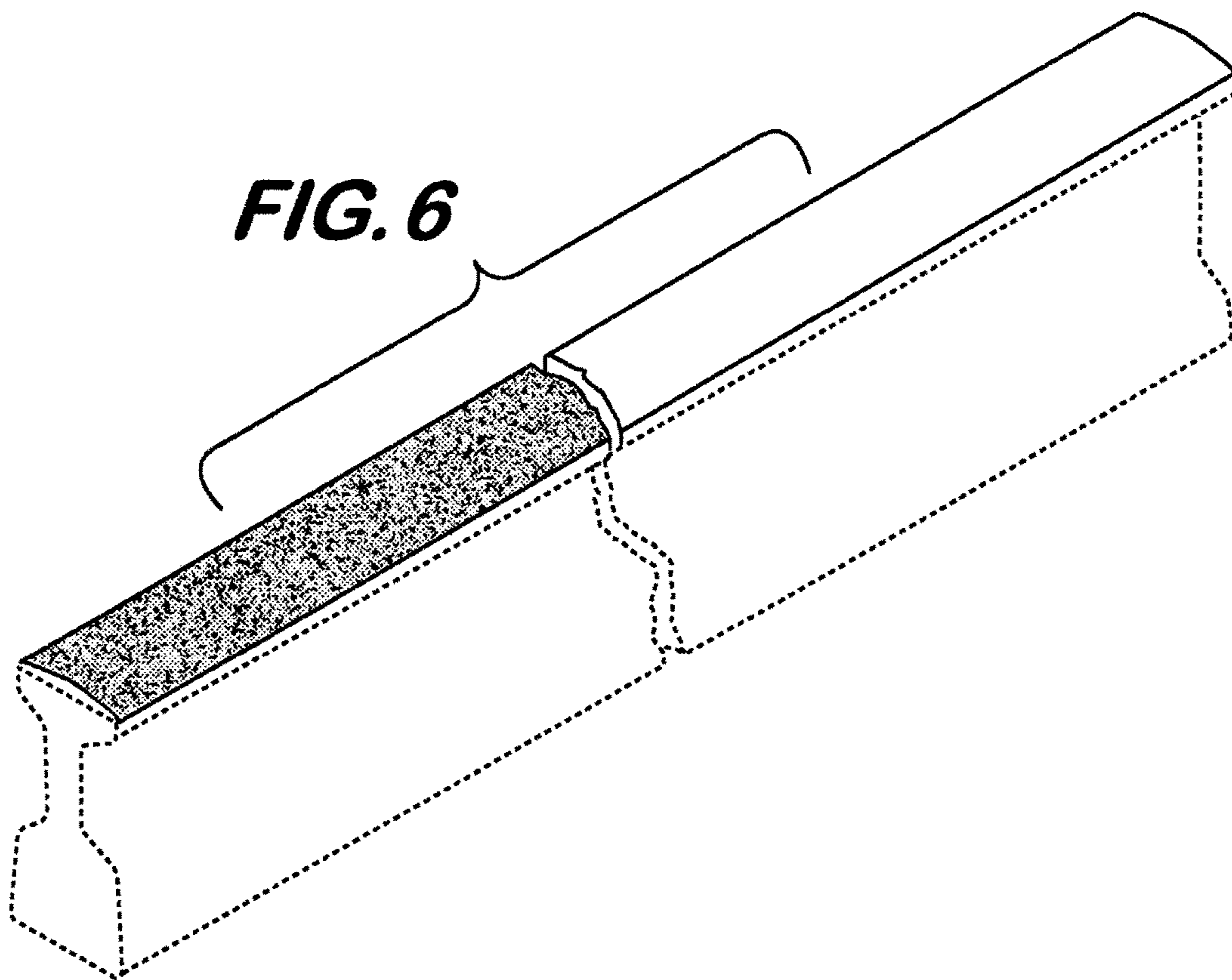


FIG. 7

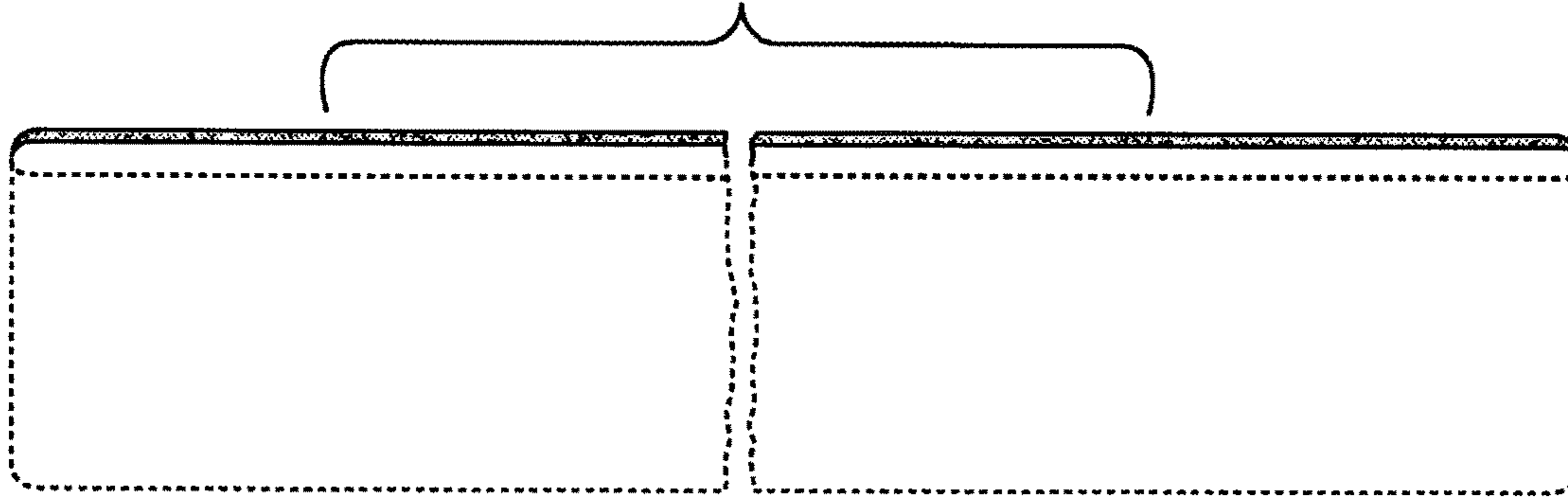


FIG. 8

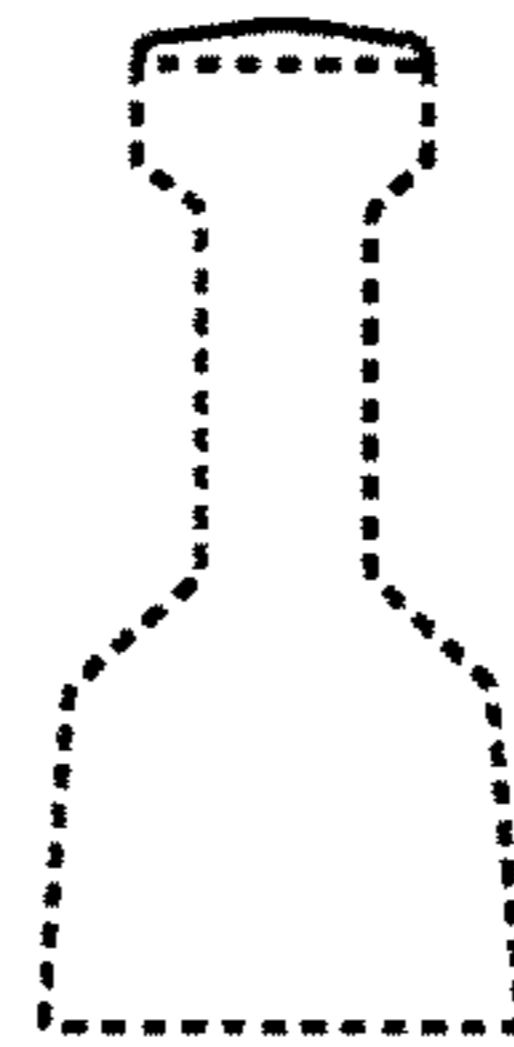


FIG. 9

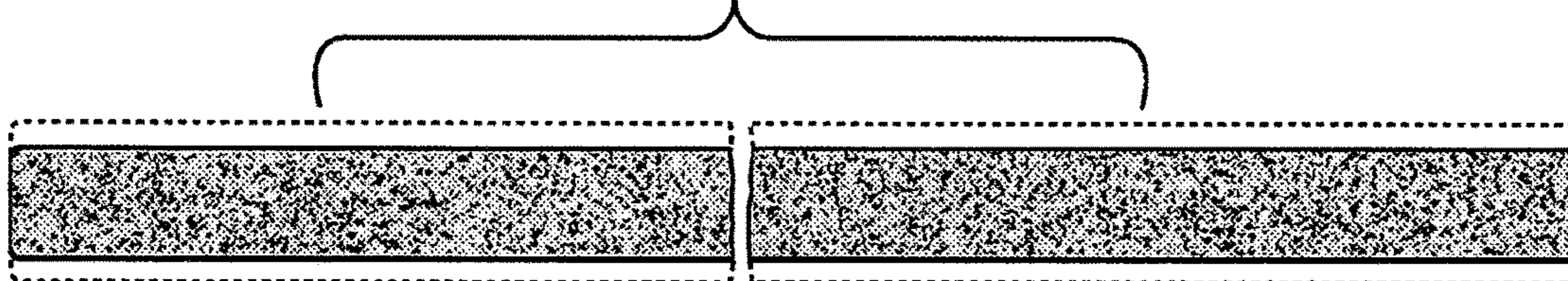


FIG. 10

