



US00D870344S

(12) **United States Design Patent**
Chen

(10) **Patent No.:** **US D870,344 S**

(45) **Date of Patent:** **** Dec. 17, 2019**

(54) **HORTICULTURAL LIGHTING UNIT**

(71) Applicant: **Xiaolai Chen**, Markham (CA)

(72) Inventor: **Xiaolai Chen**, Markham (CA)

(**) Term: **15 Years**

(21) Appl. No.: **29/617,187**

(22) Filed: **Sep. 12, 2017**

(30) **Foreign Application Priority Data**

May 18, 2017 (CA) 174848

(51) **LOC (12) Cl.** **26-05**

(52) **U.S. Cl.**
USPC **D26/74**

(58) **Field of Classification Search**

USPC D26/24, 63, 67, 72, 74, 118
CPC .. F21Y 2115/10; F21Y 2105/16; A01G 7/045;
A01G 9/26; A01G 22/00; A01G 9/20;
A01G 1/001; F21K 9/60; F21V 5/007;
F21V 15/01; F21V 29/507; F21V 29/773
See application file for complete search history.

(56) **References Cited**

U.S. PATENT DOCUMENTS

D329,239 S * 9/1992 Hahn D14/219
D539,943 S * 4/2007 Egawa D26/24
D551,379 S * 9/2007 Maxik D26/74
D570,610 S * 6/2008 Chuang D14/371
D624,686 S * 9/2010 Toney, Jr. D26/72
D631,183 S * 1/2011 Boyer D26/88
D645,594 S * 9/2011 Grawe D26/63
D648,017 S * 11/2011 Ruegg D23/366
D673,712 S * 1/2013 Patel D26/74
D688,412 S * 8/2013 Heim D26/120
D698,974 S * 2/2014 Aniserowicz D26/74
D703,861 S * 4/2014 Holland D26/89
D717,989 S * 11/2014 Heim D26/71

D731,690 S * 6/2015 Boyer D26/74
D741,069 S * 10/2015 Vanderheyden D6/300
D747,534 S * 1/2016 Guercio D26/89
D783,884 S * 4/2017 Li D26/89
D785,225 S * 4/2017 Gan D26/72
D803,448 S * 11/2017 Dupras D26/63
D809,696 S * 2/2018 Wheatley D26/74
D822,881 S * 7/2018 Drew D26/118
10,034,358 B1 * 7/2018 Chen H05B 37/0272
D838,032 S * 1/2019 Drew D26/118

(Continued)

OTHER PUBLICATIONS

“Higrow 600W Double Chips LED Grow Light.” Found online Mar. 27, 2019 at www.amazon.com. Product reviewed Jan. 4, 2017. Retrieved from URL: <https://www.amazon.com/HIGROW-Double-Spectrum-Greenhouse-Hydroponic/dp/B075QBCFL9> (Year: 2017).*

(Continued)

Primary Examiner — Garth Rademaker
Assistant Examiner — Katelin G Kloberg
(74) *Attorney, Agent, or Firm* — Conneely PC; Joseph Conneely

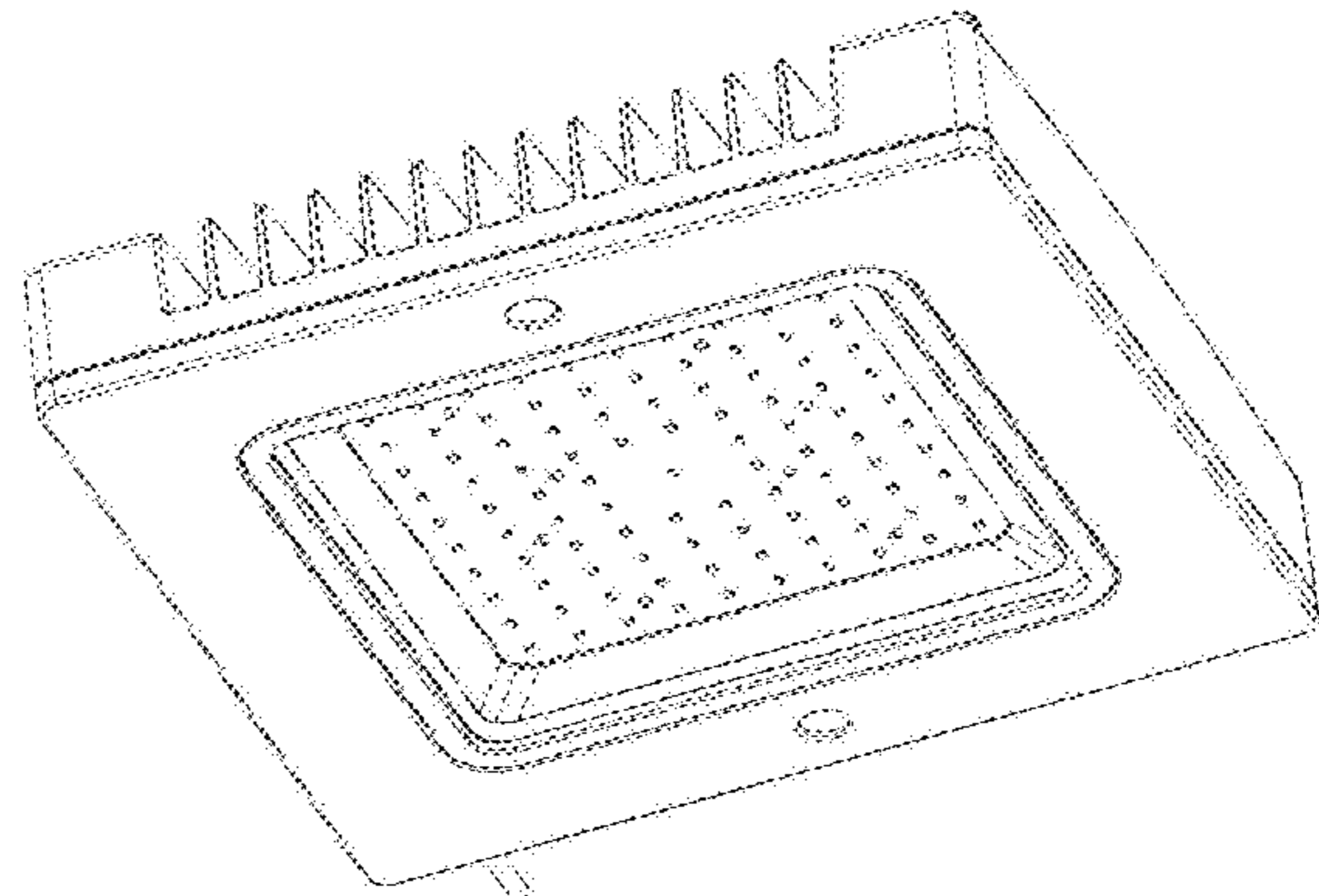
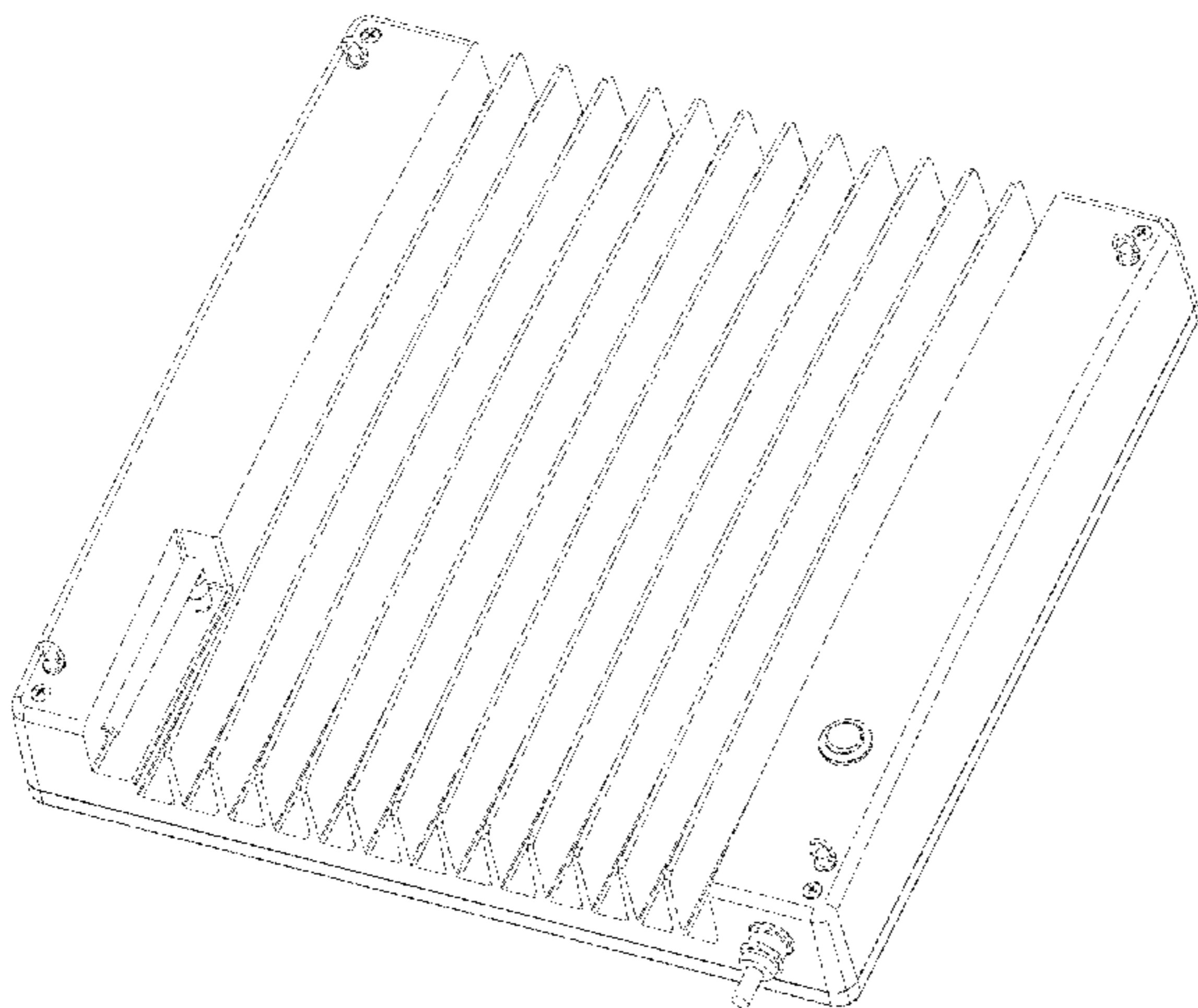
(57) **CLAIM**

The ornamental design for a horticultural lighting unit, as shown and described.

DESCRIPTION

FIG. 1 is a front elevation view of a horticultural lighting unit according to the design;
FIG. 2 is a rear elevation view thereof;
FIG. 3 is a left side elevation view thereof, the right side elevation view being a mirror image of FIG. 3;
FIG. 4 is a top plan view thereof;
FIG. 5 is a bottom plan view thereof;
FIG. 6 is a top rear perspective view thereof; and,
FIG. 7 is a bottom front perspective view thereof.

1 Claim, 7 Drawing Sheets



(56)

References Cited

U.S. PATENT DOCUMENTS

2014/0307444 A1* 10/2014 Gorkinskiy F21V 5/002
362/294
2015/0055353 A1* 2/2015 Hutchens F16M 13/02
362/370
2016/0379853 A1* 12/2016 Schaller H01L 21/67115
361/234
2017/0034895 A1 2/2017 Vogel

OTHER PUBLICATIONS

“Mars II 1600W LED Grow Light.” Found online Mar. 27, 2019 at www.walmart.com. Product reviewed Dec. 29, 2018. Retrieved from URL: <http://tinyurl.com/y2a9pune> (Year: 2018).*

“FECiDA LED Grow Lights Waterproof.” Found online Mar. 27, 2019 at www.amazon.com. Product reviewed Sep. 13, 2018. Retrieved from URL: <http://tinyurl.com/y5ysb53s> (Year: 2018).*

* cited by examiner

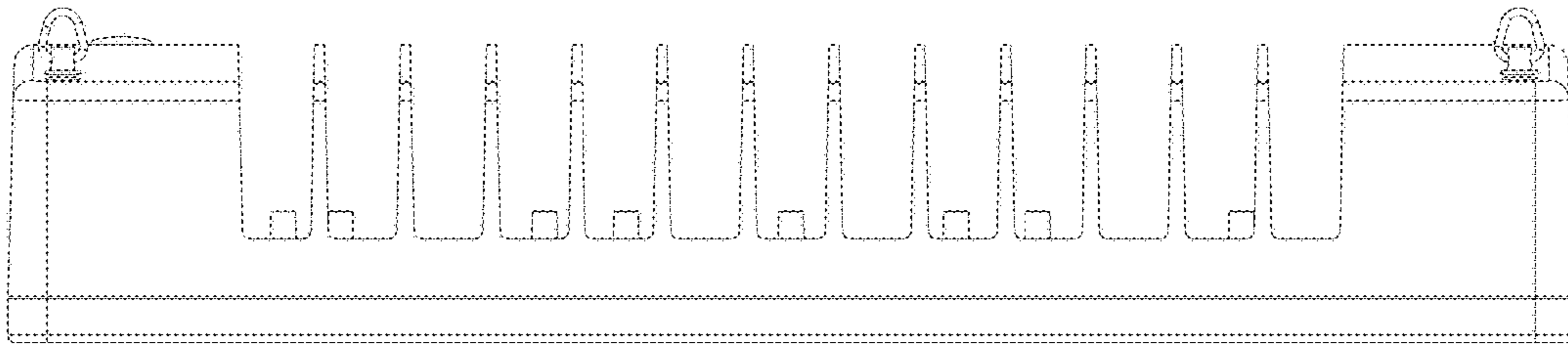


FIG. 1

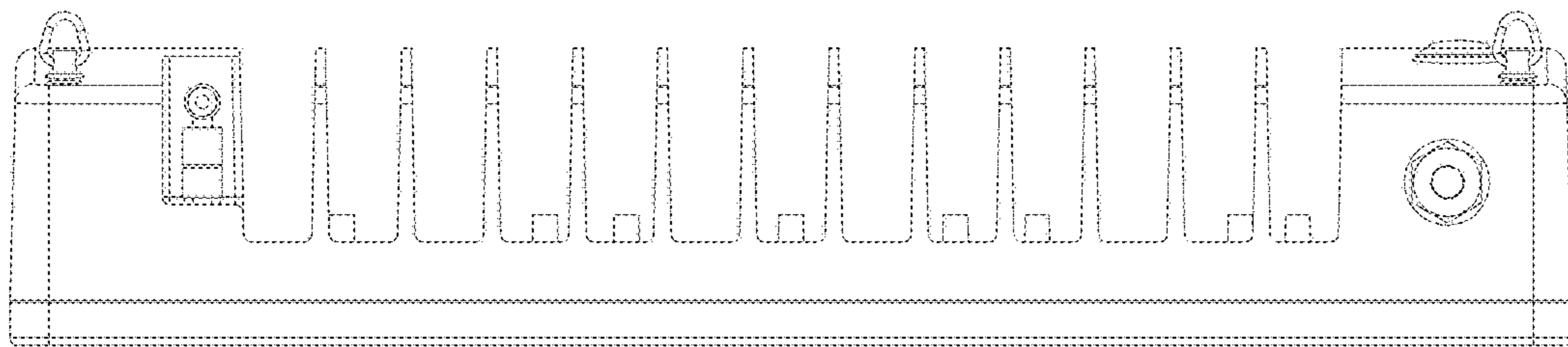


FIG. 2

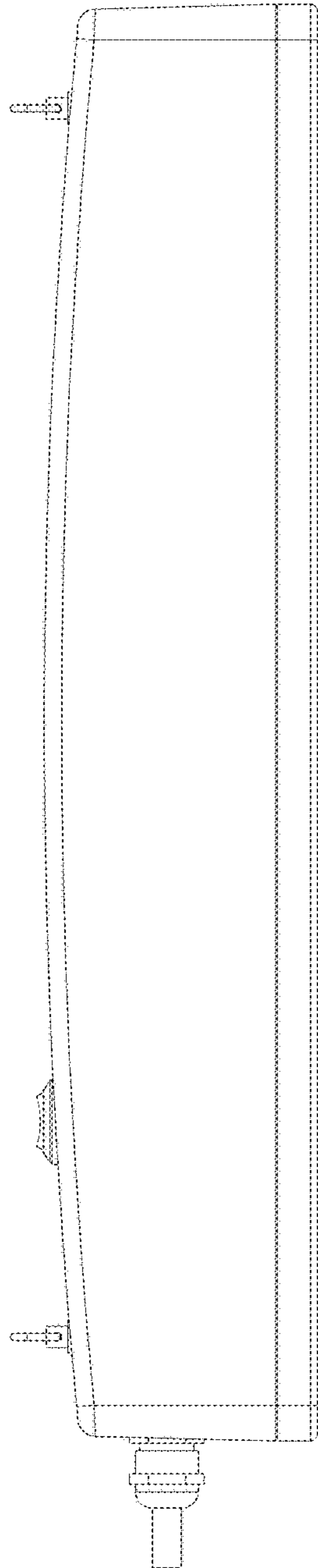


FIG.3

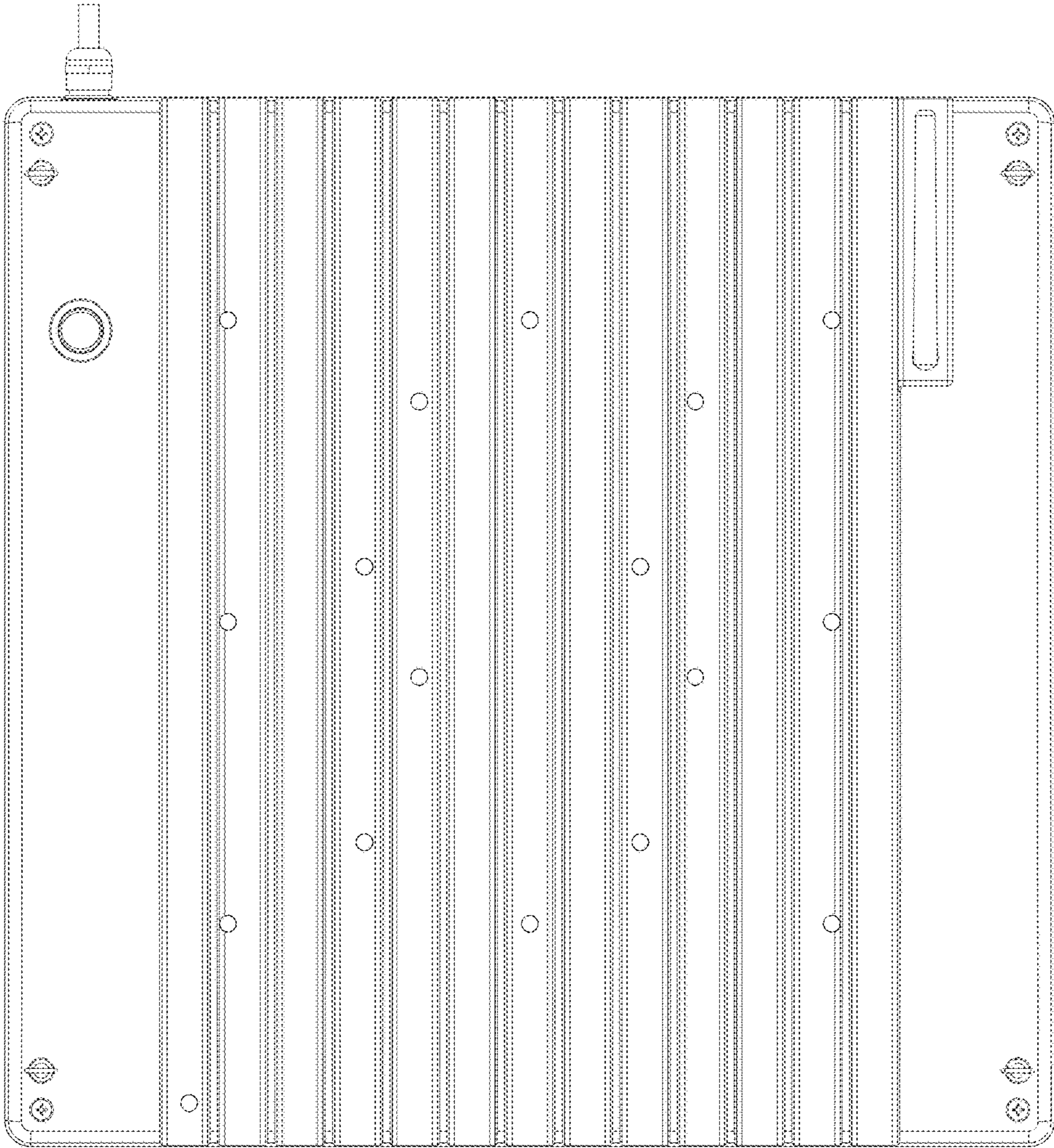


FIG. 4

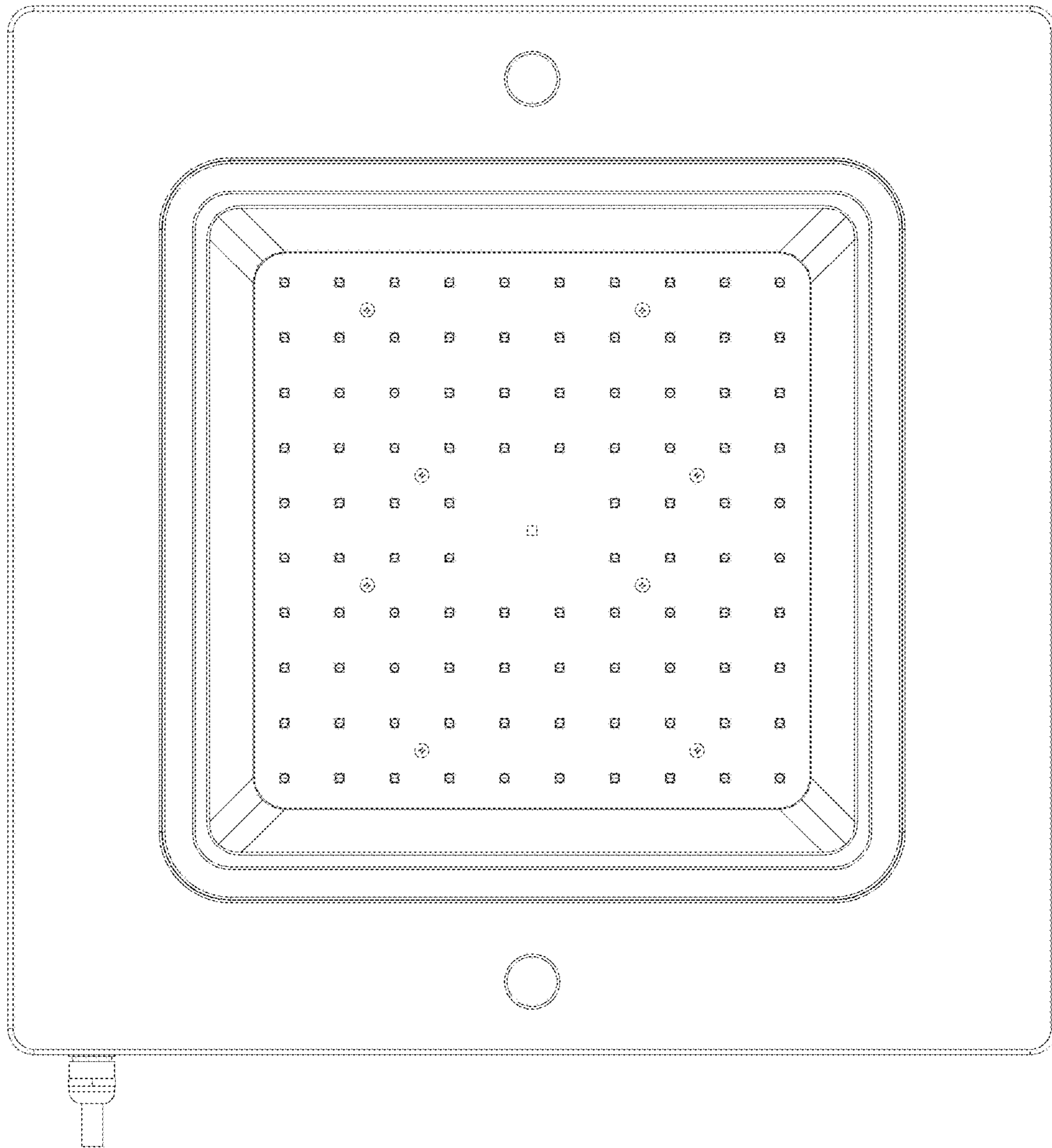


FIG.5

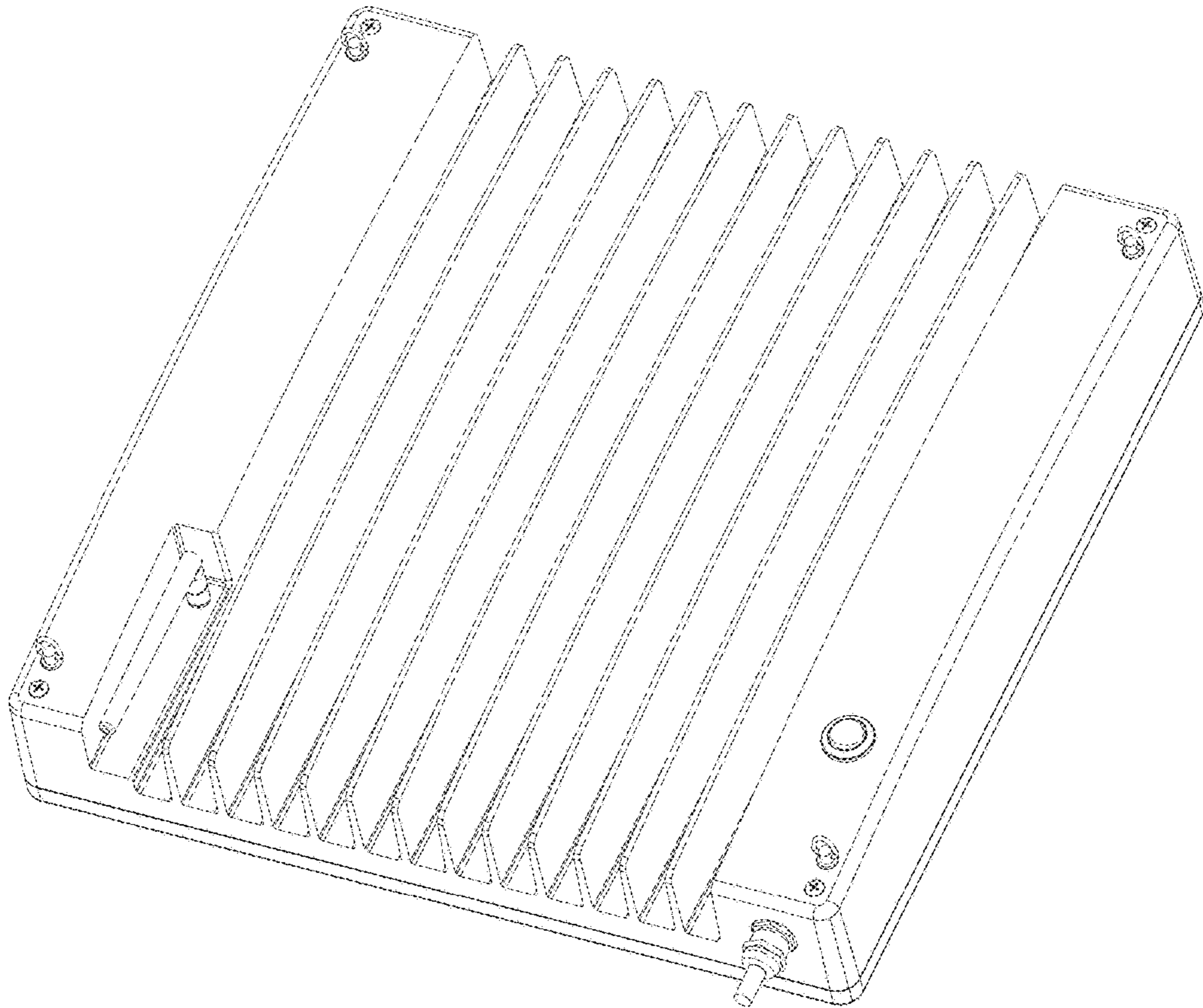


FIG.6

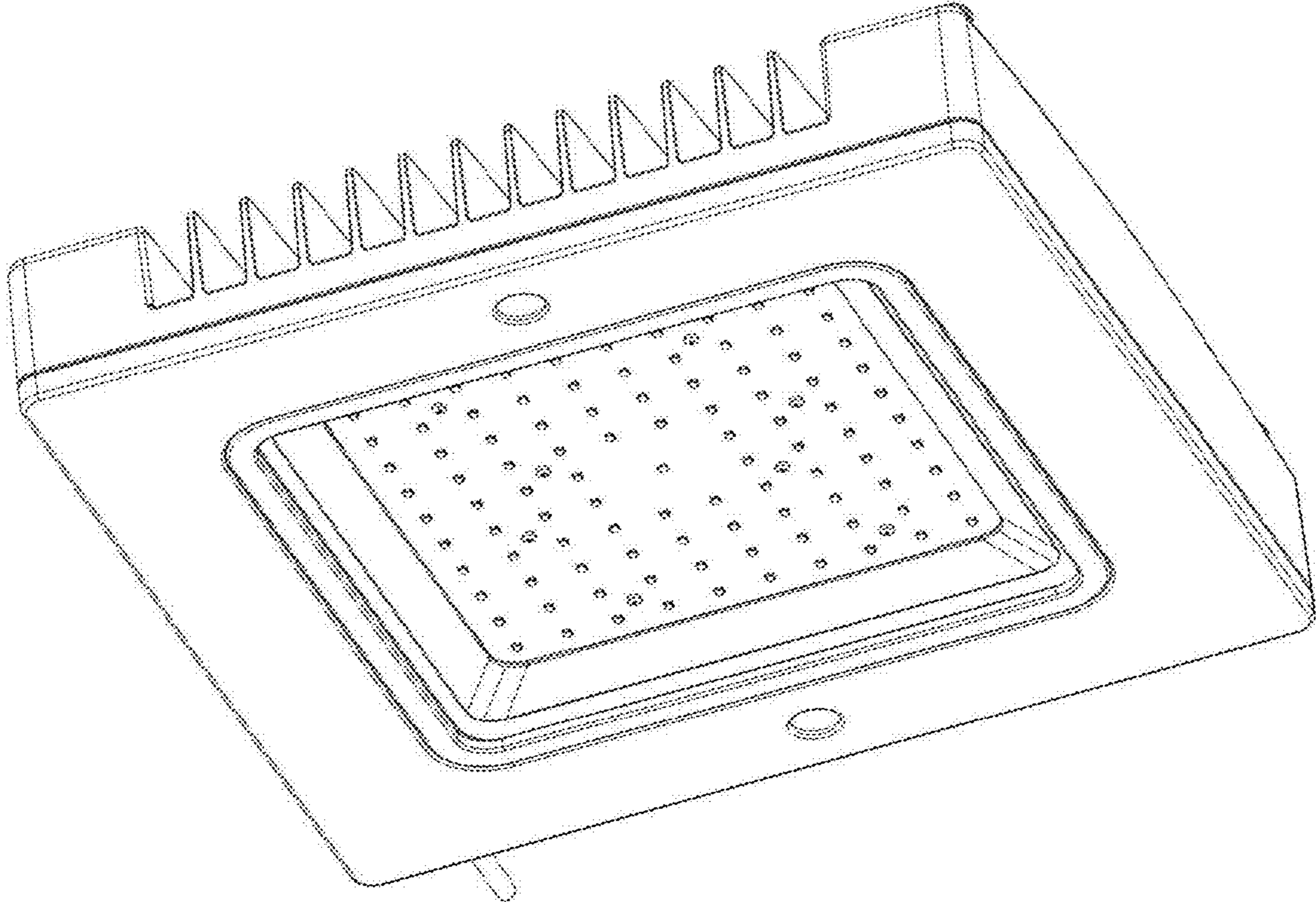


FIG. 7