



US00D870343S

(12) **United States Design Patent** (10) **Patent No.:** **US D870,343 S**
Guzzini (45) **Date of Patent:** **** Dec. 17, 2019**

(54) **LIGHTING APPARATUS**
(71) Applicant: **IGUZZINI ILLUMINAZIONE S.P.A.**,
Recanati (IT)
(72) Inventor: **Adolfo Guzzini**, Recanati (IT)
(73) Assignee: **IGUZZINI ILLUMINAZIONE S.P.A.**,
Recanati (IT)

D768,327 S * 10/2016 Guzzini D26/74
D790,103 S * 6/2017 Czech D26/76
D804,194 S * 12/2017 Thams D6/300
D811,752 S * 3/2018 Ross, III D6/300
D833,663 S * 11/2018 Stromborg D26/74
2006/0198134 A1* 9/2006 Fowler, Jr. F21V 19/02
362/217.12
2011/0051410 A1* 3/2011 Liang F21S 8/02
362/235

(**) Term: **15 Years**

(21) Appl. No.: **29/609,133**

(22) Filed: **Jun. 28, 2017**

(30) **Foreign Application Priority Data**

Dec. 28, 2016 (EM) 003550011-0019

(51) **LOC (12) Cl.** **26-05**

(52) **U.S. Cl.**
USPC **D26/74**

(58) **Field of Classification Search**
USPC D26/24, 28, 63, 66, 67, 74, 118; D6/300
CPC F21S 8/02; F21S 8/024; F21Y 2115/10;
F21Y 2103/10
See application file for complete search history.

(56) **References Cited**

U.S. PATENT DOCUMENTS

D195,012 S * 4/1963 Hoyle D23/388
D203,692 S * 2/1966 Roovaart D26/71
D452,995 S * 1/2002 Barry D6/300
D575,531 S * 8/2008 Paterson D6/300
D614,792 S * 4/2010 Fabbri D26/120
D652,559 S * 1/2012 Beghelli D26/74
D667,157 S * 9/2012 Ferguson D26/76
D698,971 S * 2/2014 Guzzini D26/74
D698,972 S * 2/2014 Guzzini D26/74
D699,385 S * 2/2014 Guzzini D26/74
D711,036 S * 8/2014 Salomon D26/74
D724,774 S * 3/2015 Mayfield, III D26/74

(Continued)

OTHER PUBLICATIONS

“YouTube—Laser Blade Line to Circle—iGuzzini.” Found online
Jan. 3, 2019 at www.youtube.com. Video published Jan. 17, 2014.
Retrieved from URL: https://www.youtube.com/watch?v=
CS0KBwmVjPw (Year: 2014).*

(Continued)

Primary Examiner — Garth Rademaker
Assistant Examiner — Katelin G Kloberg
(74) *Attorney, Agent, or Firm* — Browdy and Neimark,
P.L.L.C.

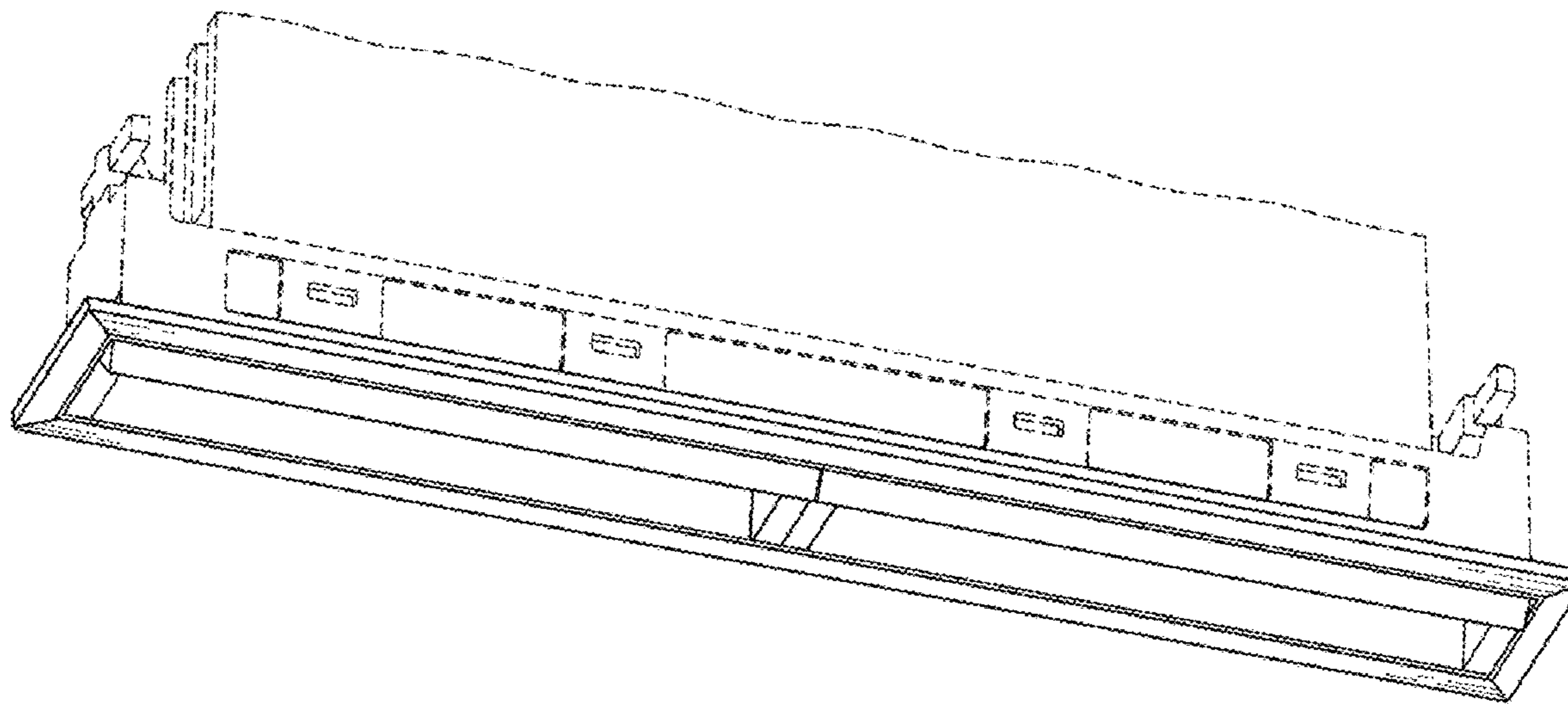
(57) **CLAIM**

The ornamental design for a lighting apparatus, as shown
and described.

DESCRIPTION

FIG. 1 is a perspective view of a lighting apparatus, showing
my new design;
FIG. 2 is a front view thereof;
FIG. 3 is a left hand side view thereof;
FIG. 4 is a right hand side view thereof;
FIG. 5 is a rear view thereof;
FIG. 6 is top view thereof; and,
FIG. 7 is a bottom view thereof.
The broken lines shown in the drawings depict portions of
the article that form no part of the claimed design.

1 Claim, 7 Drawing Sheets



(56)

References Cited

U.S. PATENT DOCUMENTS

2015/0369448 A1* 12/2015 Clauss F21V 31/005
362/311.02

OTHER PUBLICATIONS

“YouTube—Laser Blade wall-washer optika.” Found online Jan. 3, 2019 at www.youtube.com. Video published Jun. 3, 2014. Retrieved from URL: <https://www.youtube.com/watch?v=rL5a0NFVzIM> (Year: 2014).*

“iGuzzini catalog—Laser Blade Line to Circle.” Found online Jan. 3, 2019 at eccarchitectural.co.nz. Document dated 2015. Retrieved from URL: http://eccarchitectural.co.nz/media/uploads/2015_07/Laser_Blade_2015_iGuzzini_EN.pdf (Year: 2015).*

“Laser Blade XS Wall Washer.” Found online Jan. 3, 2019 at www.mialuce.com.au. Page archived Apr. 10, 2018. Retrieved from URL: <https://web.archive.org/web/20180410113842/http://www.mialuce.com.au/products/iguzzini/laser-blade-xs-wall-washer/> (Year: 2018).*

* cited by examiner

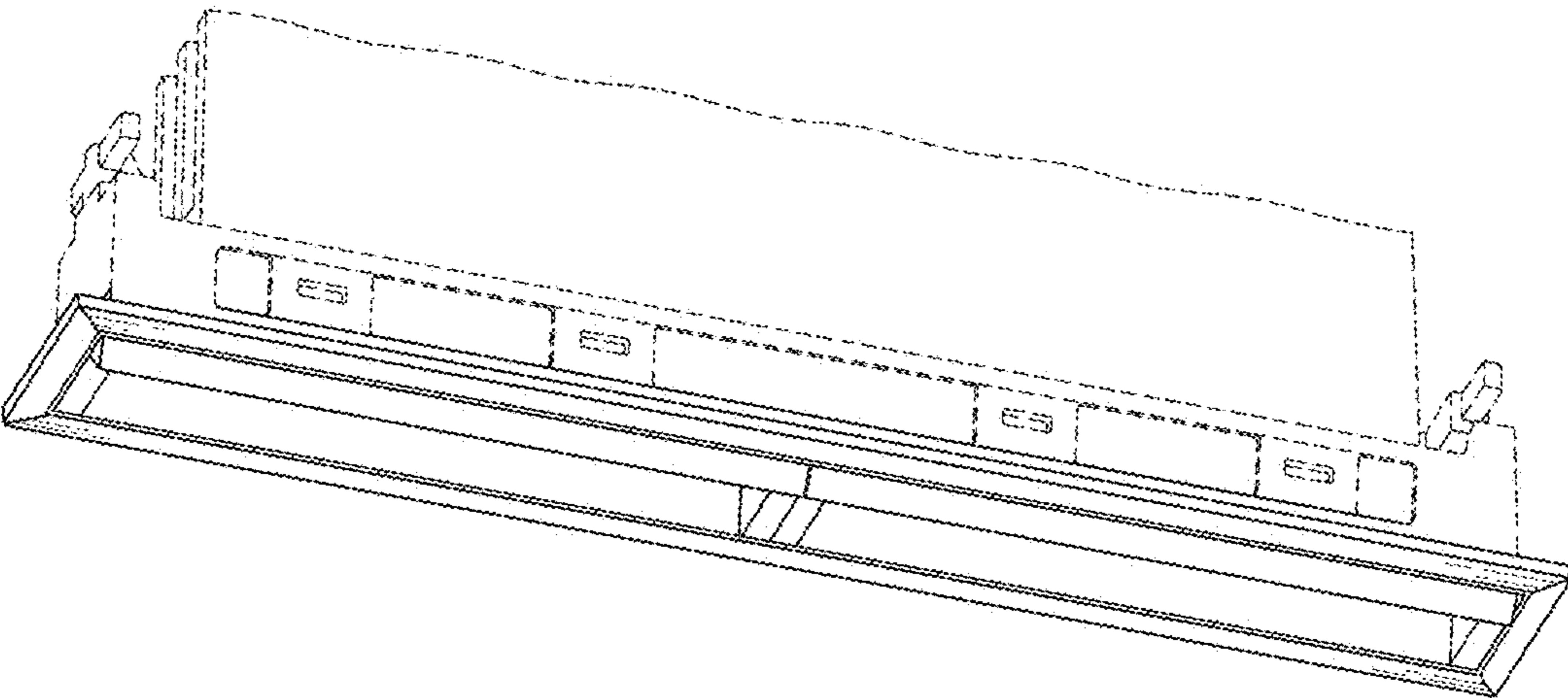


FIG. 1

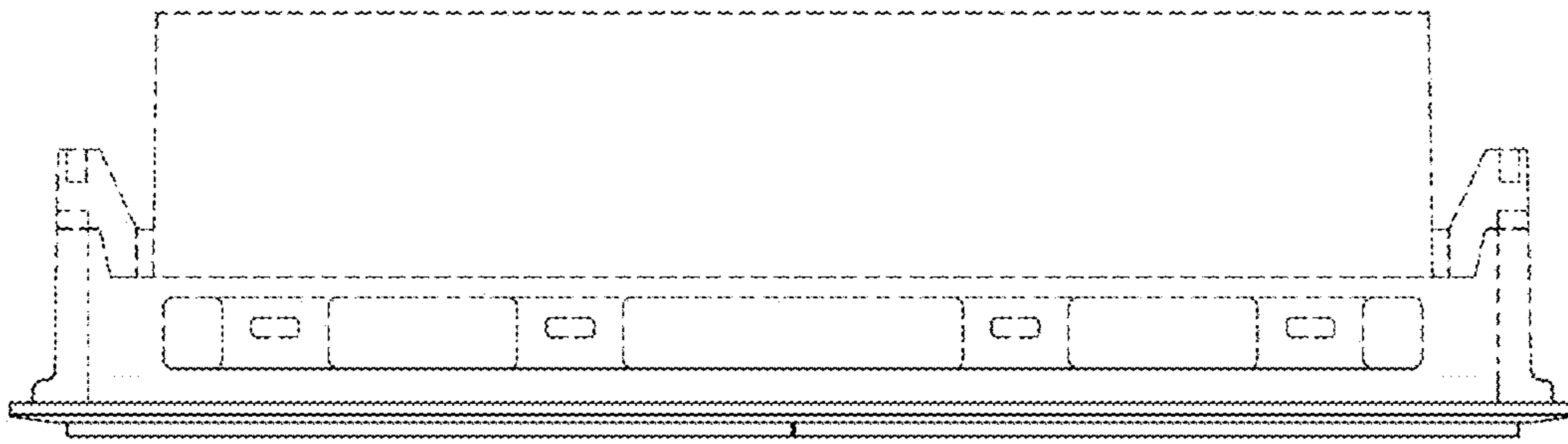


FIG. 2

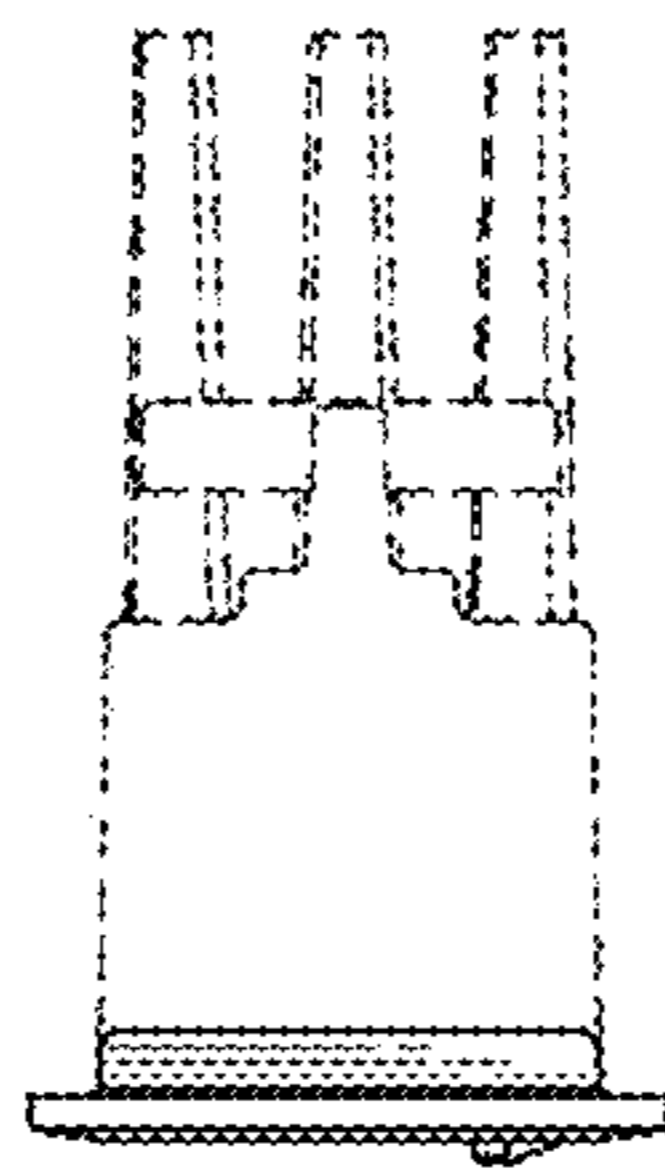


FIG. 3

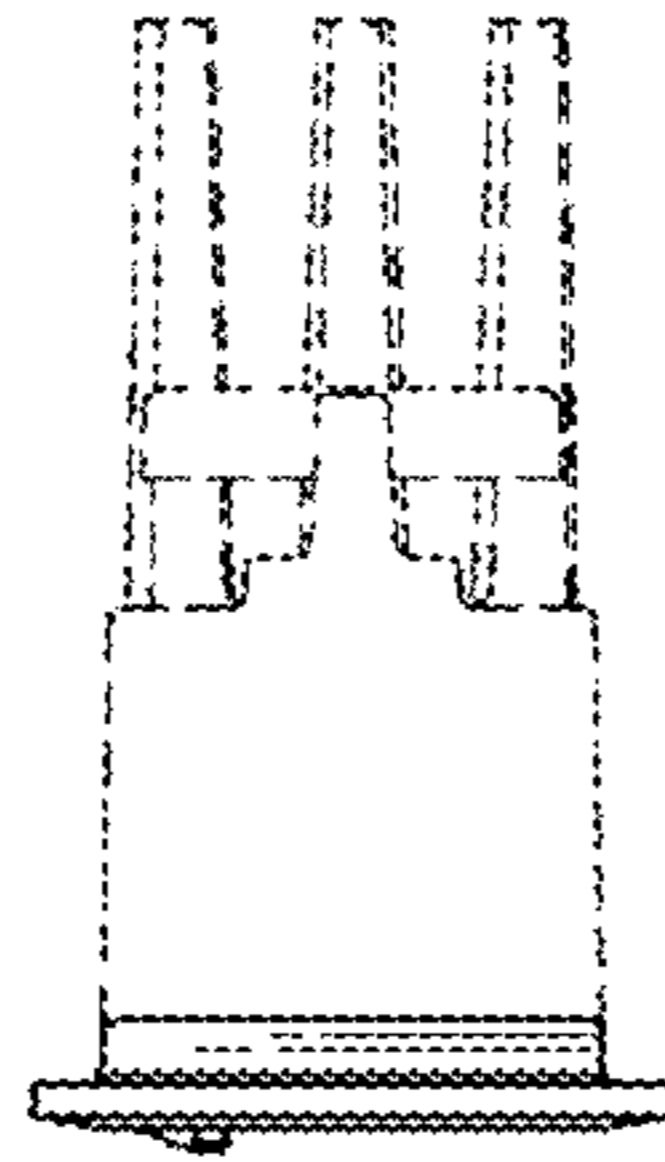


FIG. 4

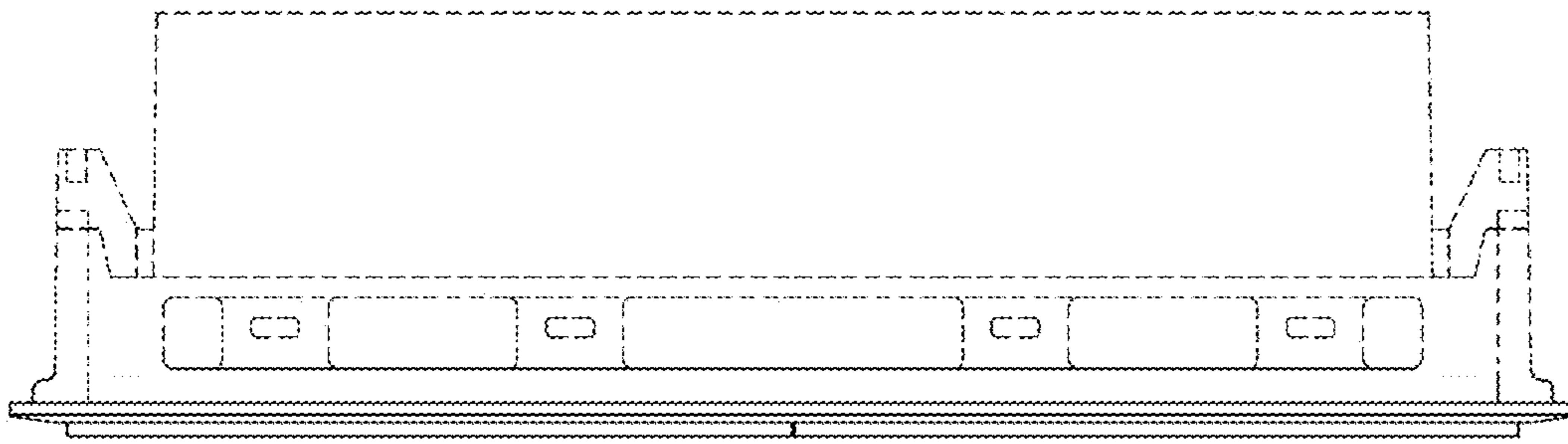


FIG. 5

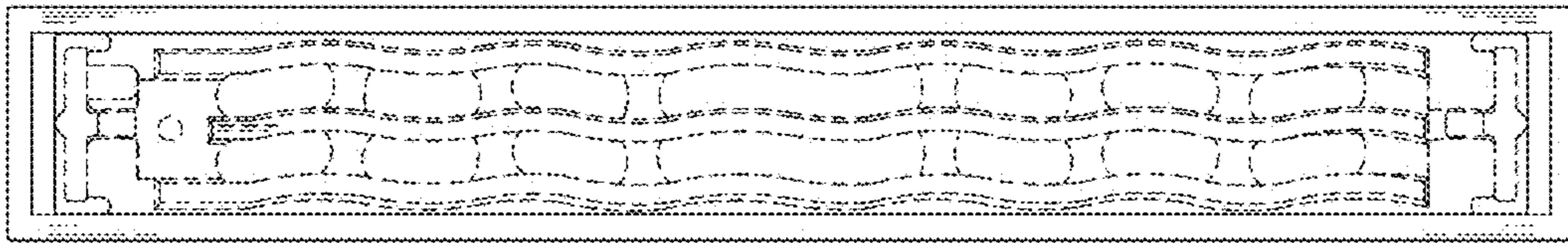


FIG. 6

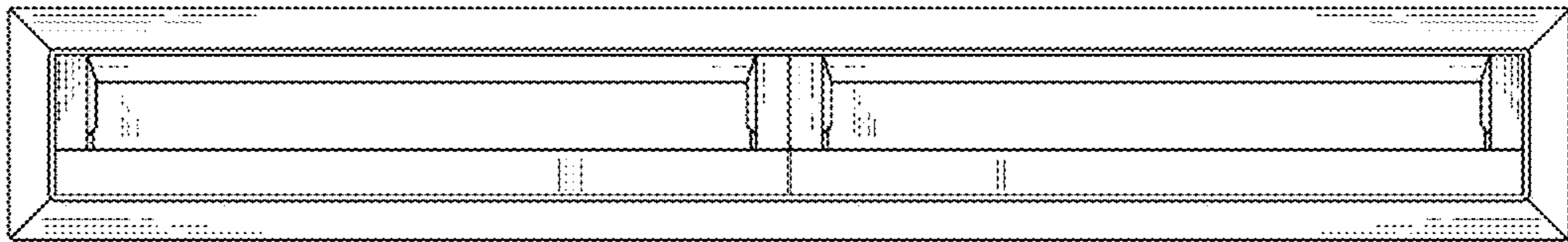


FIG. 7