



US00D870342S

(12) **United States Design Patent**
Xiao

(10) **Patent No.:** **US D870,342 S**

(45) **Date of Patent:** **** Dec. 17, 2019**

(54) **SOLAR POWER LED SECURITY LIGHT**

(71) Applicant: **SHEN ZHEN VICTOR SOLAR TECHNOLOGY CO., LTD**, Shenzhen, Guangdong province (CN)

(72) Inventor: **Zhifeng Xiao**, Ji-An (CN)

(73) Assignee: **SHEN ZHEN VICTOR SOLAR TECHNOLOGY CO., LTD**, Shenzhen, Guangdong province (CN)

(**) Term: **15 Years**

(21) Appl. No.: **29/636,043**

(22) Filed: **Feb. 6, 2018**

(51) **LOC (12) Cl.** **26-03**

(52) **U.S. Cl.**
USPC **D26/71**

(58) **Field of Classification Search**
USPC D26/26, 67-72, 76, 80, 81, 85-88, 92, D26/154; D13/102
CPC .. F21S 8/032; F21S 8/033; F21S 8/036; F21S 9/022; F21S 9/024; F21S 9/03; F21S 9/032; F21S 9/035; F21S 9/037; F21W 2131/10; F21W 2131/103; F21W 2131/107; F21W 2131/109
See application file for complete search history.

(56) **References Cited**

U.S. PATENT DOCUMENTS

D467,225 S * 12/2002 Sudo D13/102
D533,675 S * 12/2006 Didier D26/67

D618,166 S * 6/2010 Sanoner D13/102
D652,376 S * 1/2012 Nomi D13/102
D841,219 S * 2/2019 Chen D26/85
2018/0119940 A1 * 5/2018 Zhou F21V 29/76

* cited by examiner

Primary Examiner — Cathron C Brooks

(74) *Attorney, Agent, or Firm* — Li & Cai Intellectual Property Office

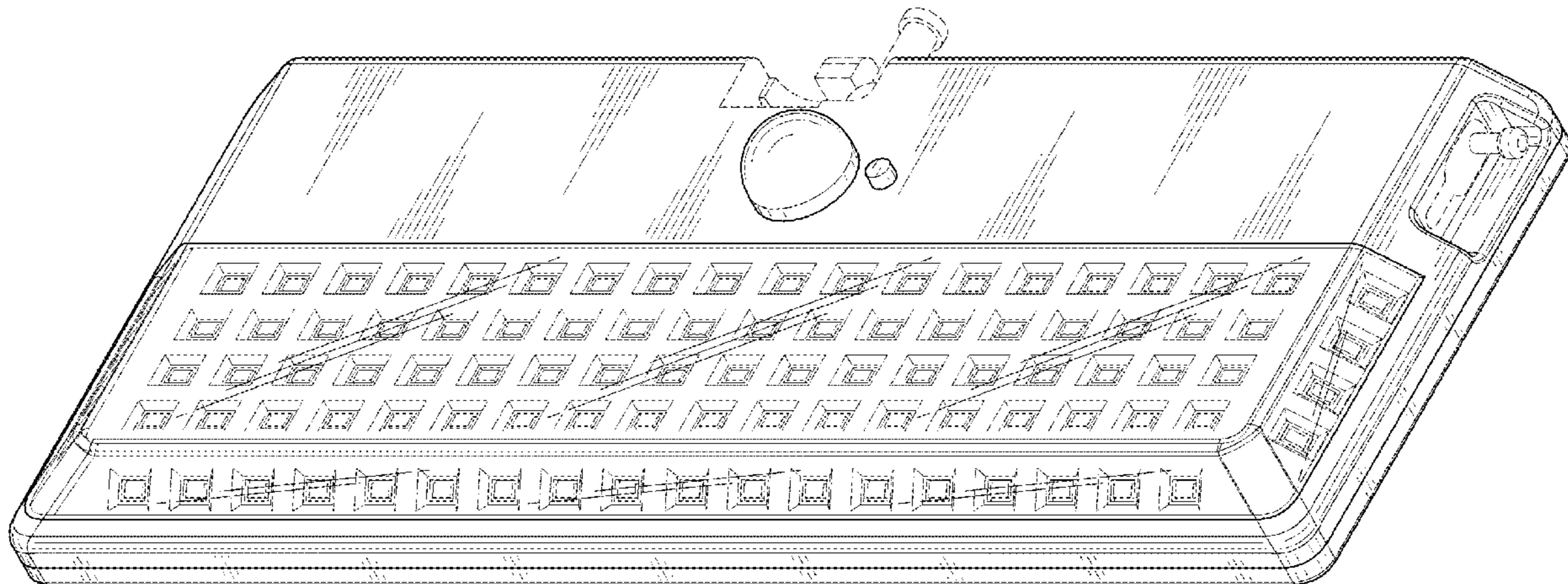
(57) **CLAIM**

The ornamental design for a “solar power LED security light,” as shown and described.

DESCRIPTION

FIG. 1 is a front, bottom and right perspective view of a solar power LED security light showing my new design; FIG. 2 is a front elevational view thereof; FIG. 3 is a rear elevational view thereof; FIG. 4 is a left side elevational view thereof; FIG. 5 is a right side elevational view thereof; FIG. 6 is a top plan view thereof; FIG. 7 is a bottom plan view thereof; FIG. 8 is a rear, top and left perspective view thereof; FIG. 9 is another front, bottom and right perspective view thereof, but showing the broken line universal joint pin in a different position; and, FIG. 10 is another rear, top and left perspective view thereof, but with a broken line showing of a wall-mounted seat connected to the universal joint pin. The broken lines in the drawings illustrate portions of the solar power LED security light that form no part of the claimed design.

1 Claim, 8 Drawing Sheets



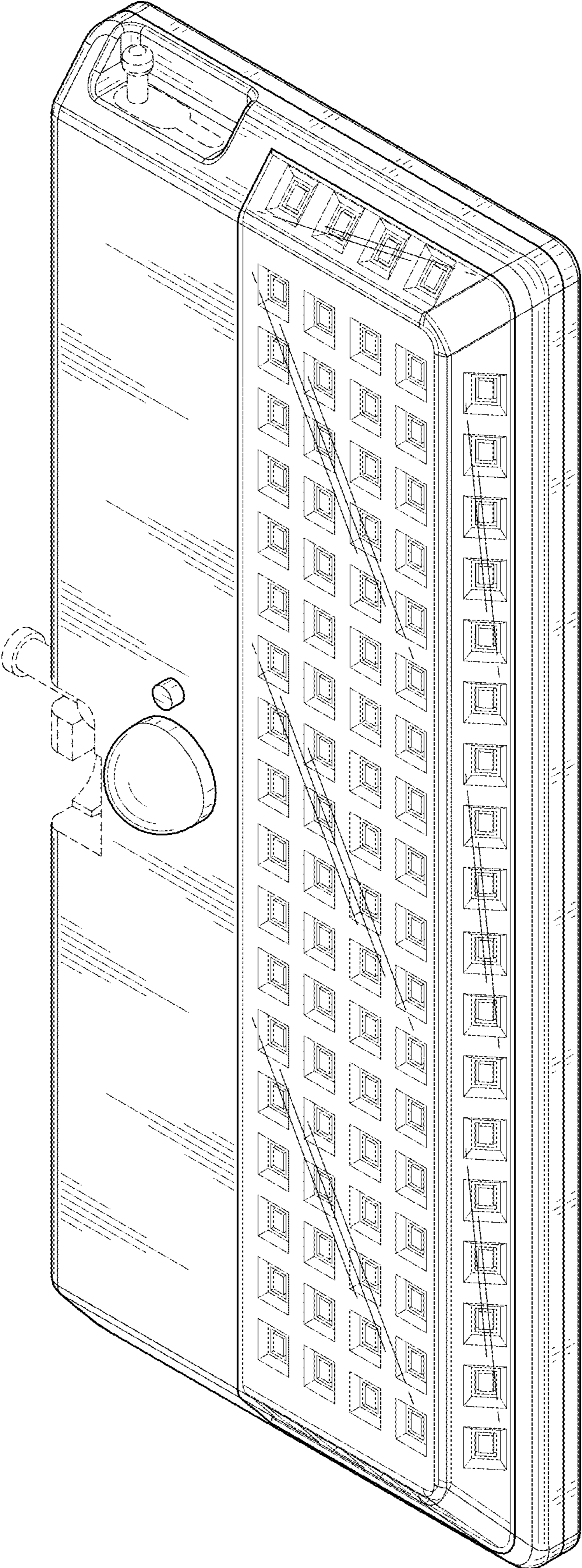


FIG. 1

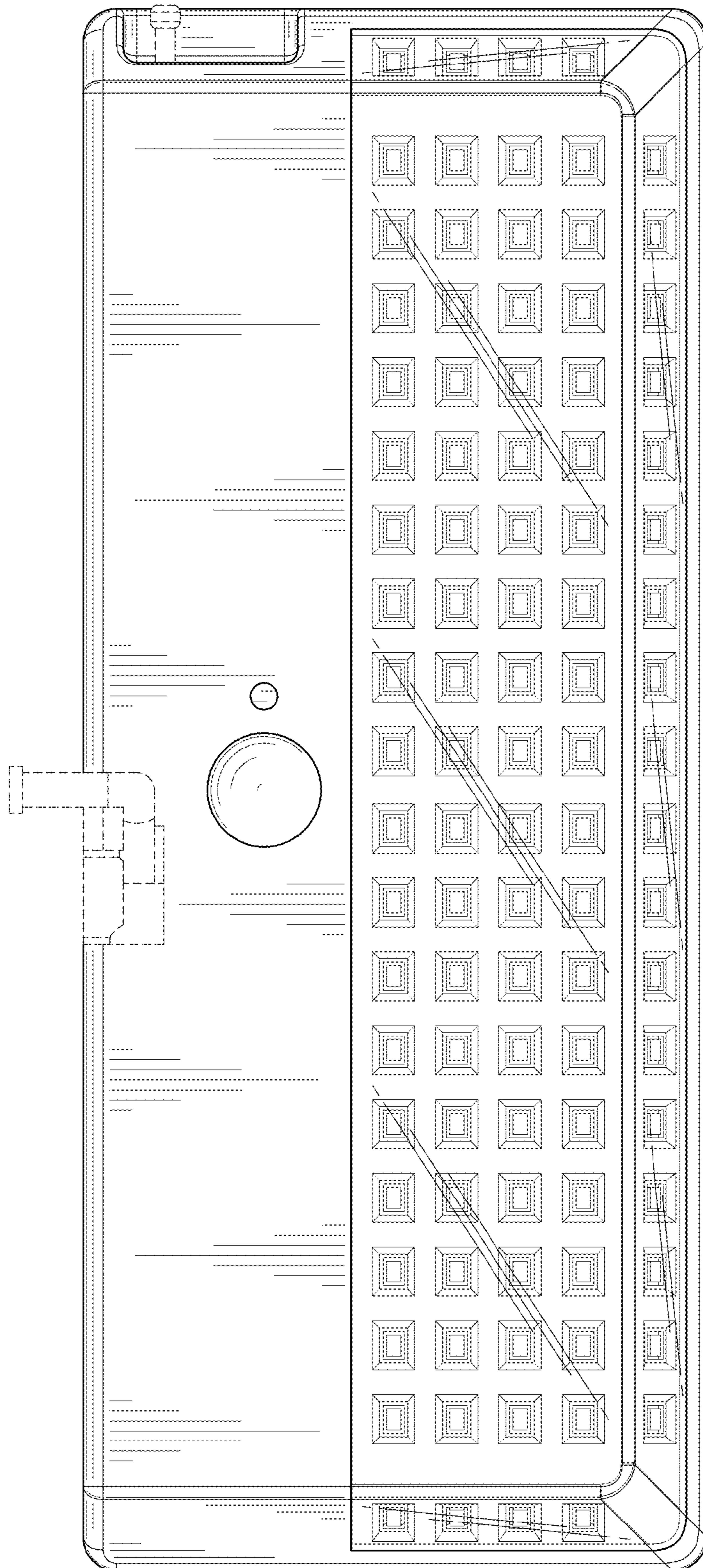


FIG. 2

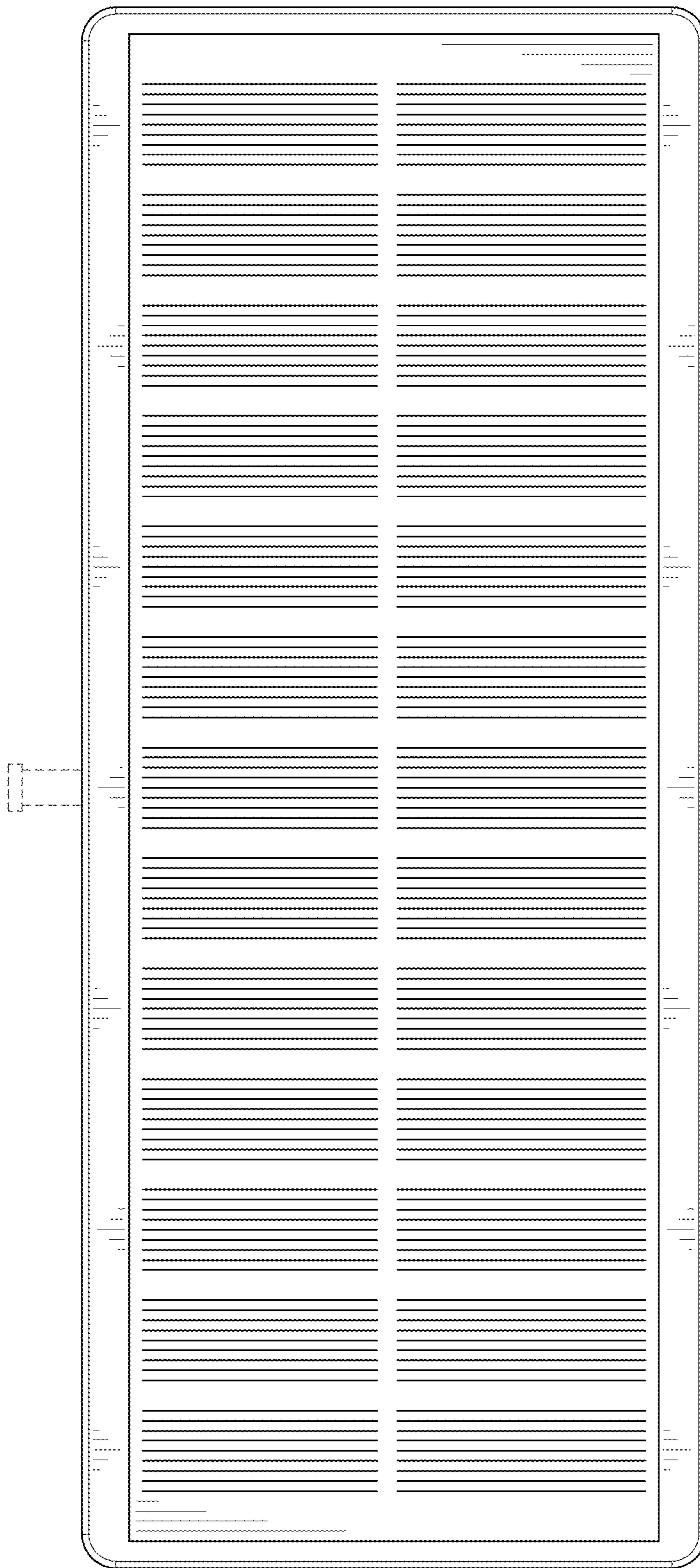


FIG. 3

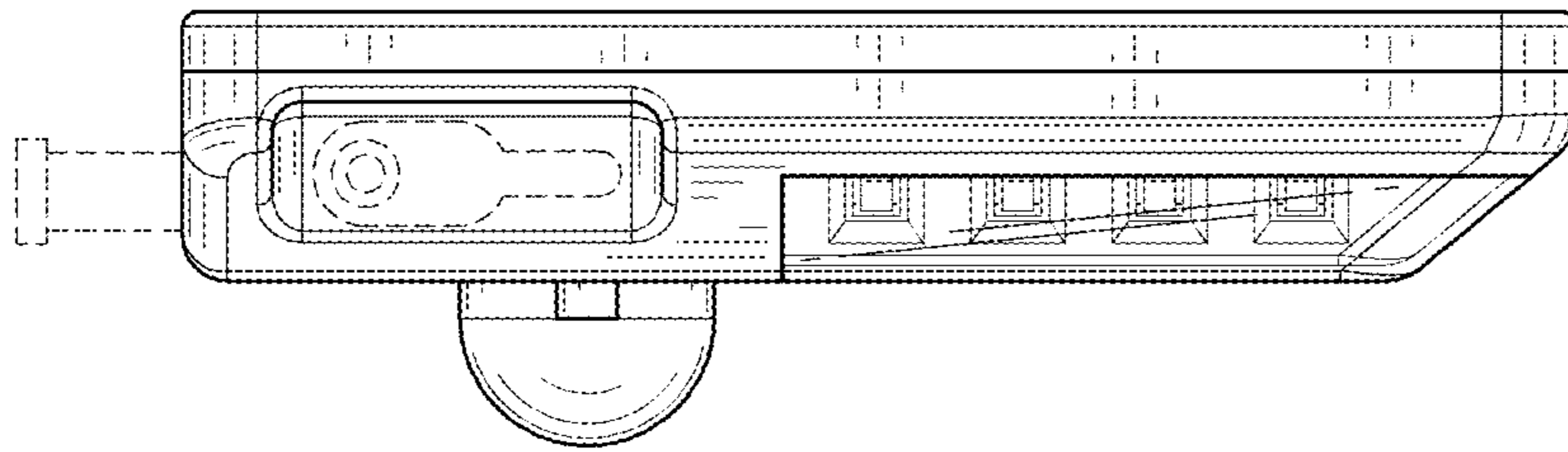


FIG. 5

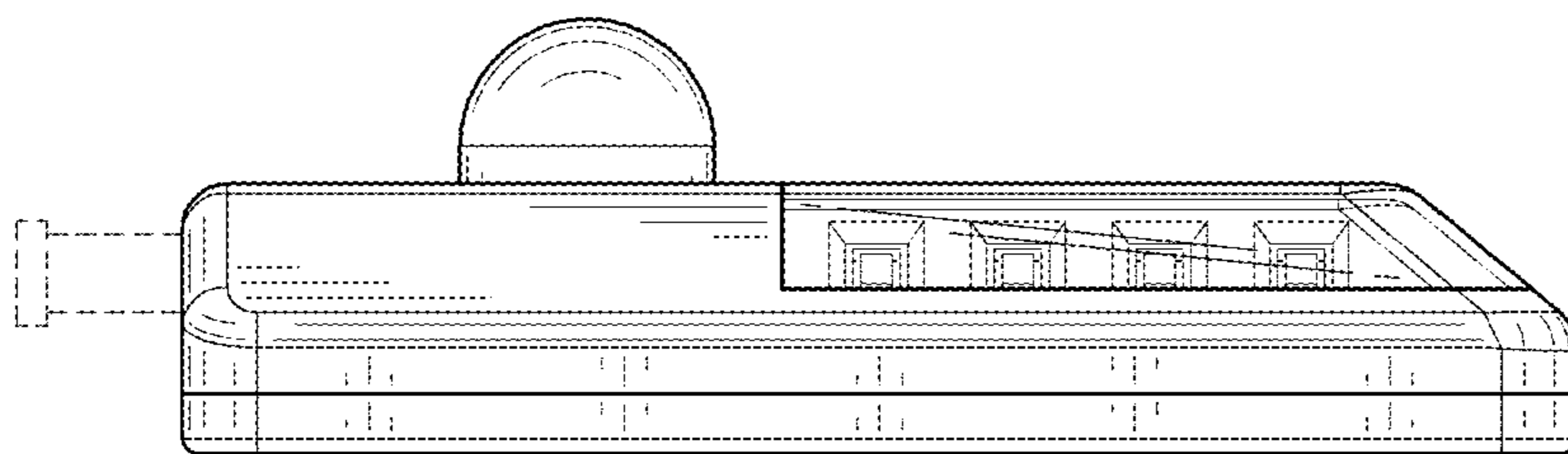


FIG. 4

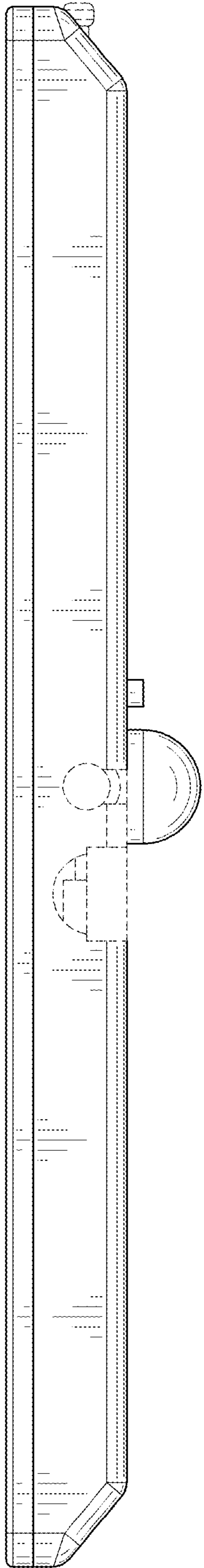


FIG. 6

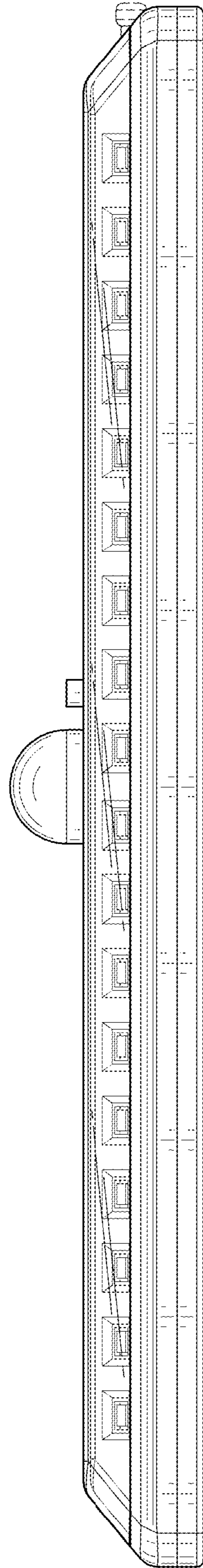


FIG. 7

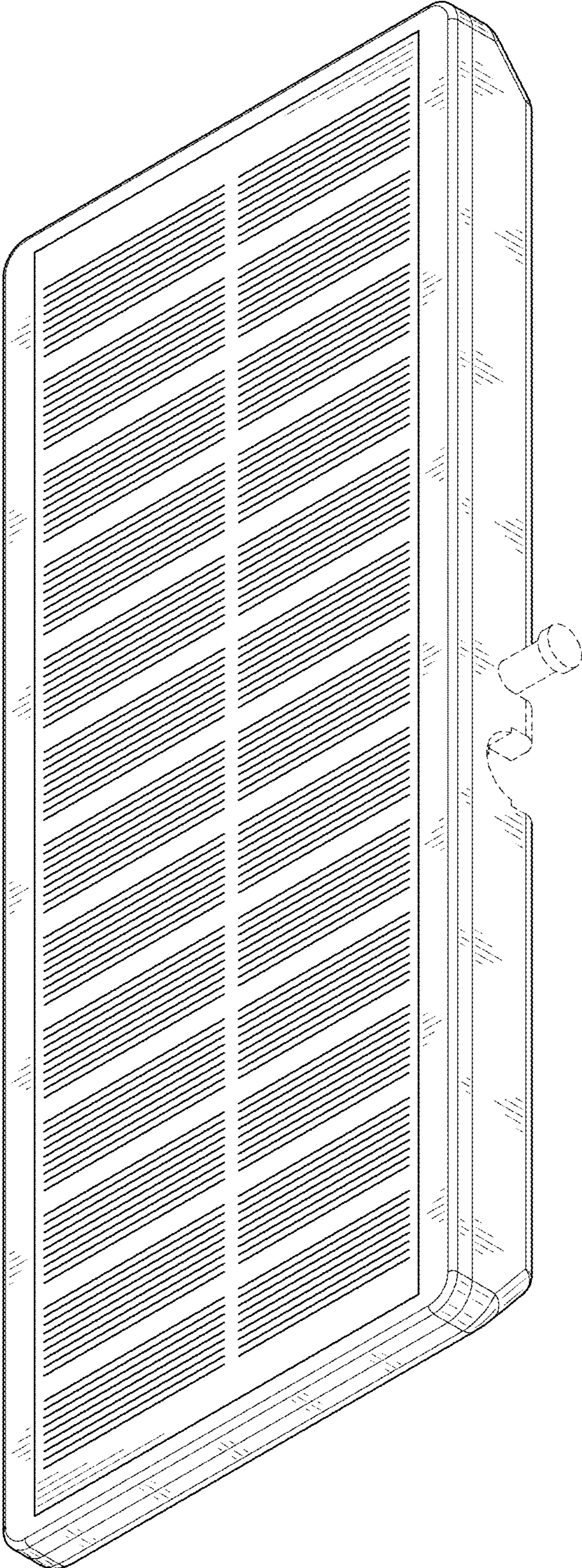


FIG. 8

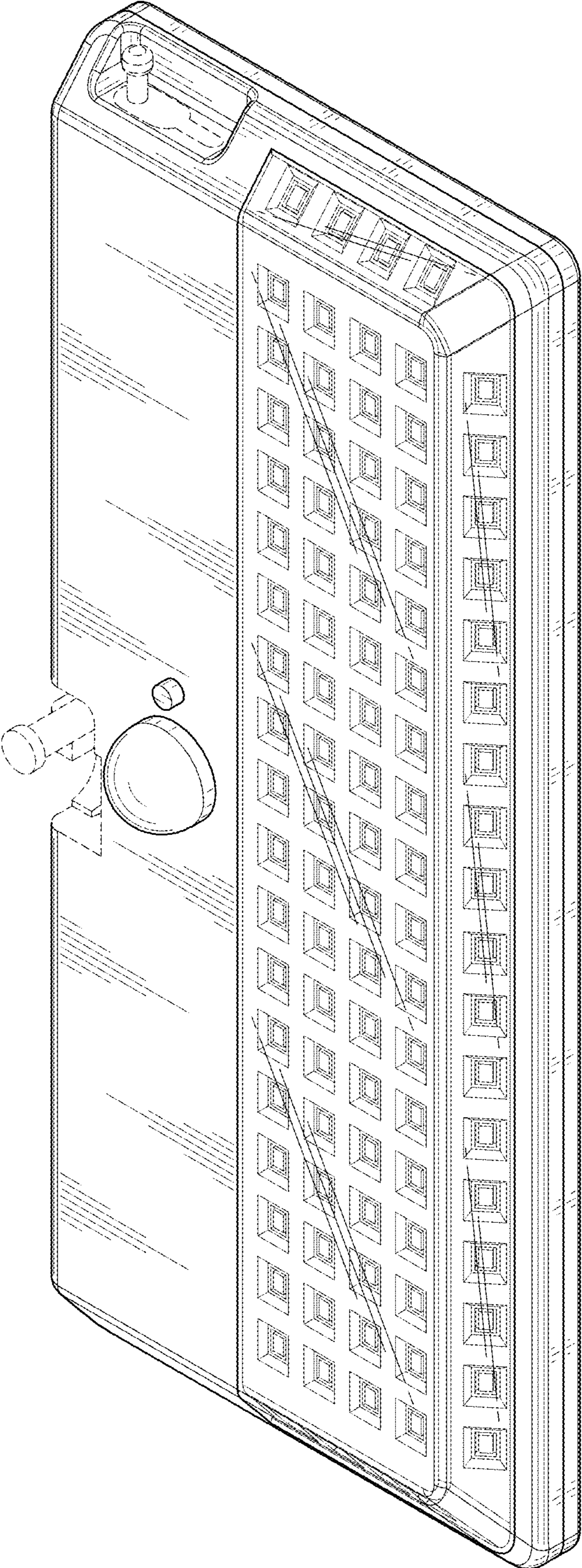


FIG. 9

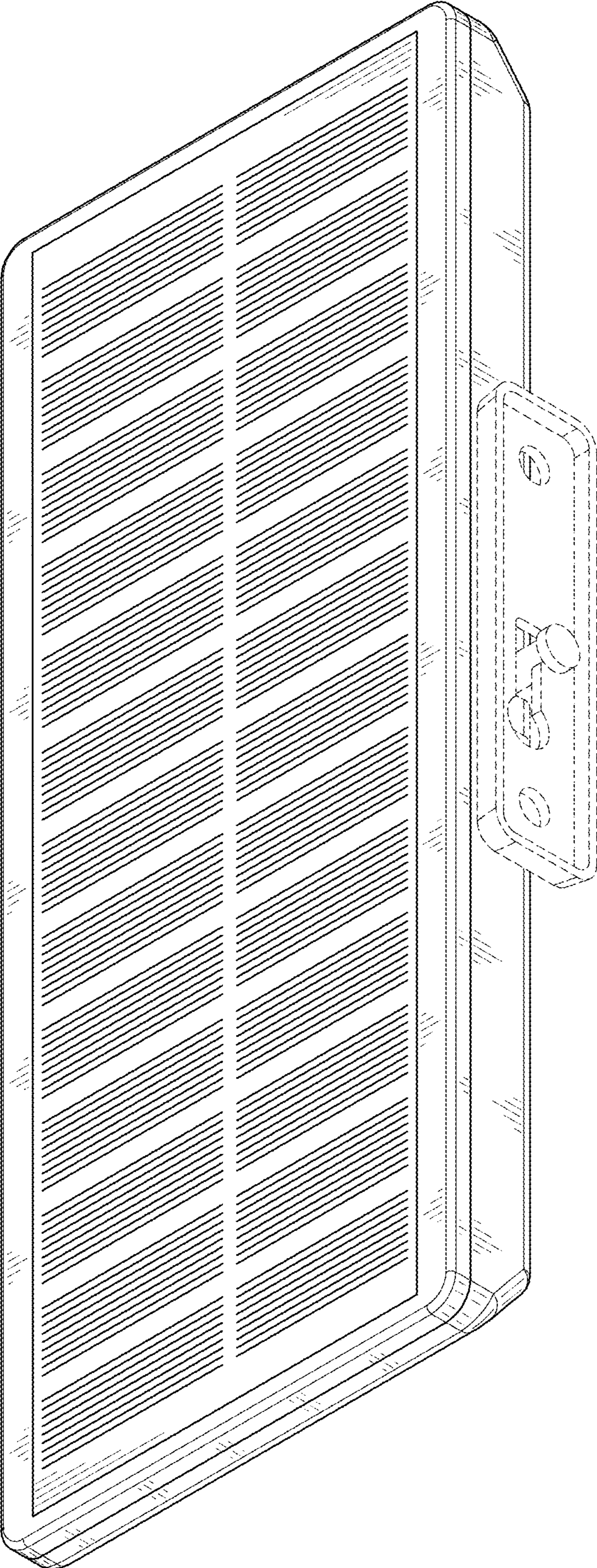


FIG. 10