



US00D870341S

(12) **United States Design Patent** (10) **Patent No.:** **US D870,341 S**
Benghozi et al. (45) **Date of Patent:** **** Dec. 17, 2019**

(54) **LIGHT FIXTURE** 6,402,337 B1 * 6/2002 LeVasseur F21S 8/083
 362/153.1
 (71) Applicant: **BAZZ INC.**, Ville Saint-Laurent (CA) D468,042 S 12/2002 Volpe
 D487,814 S 3/2004 Hoernig
 (72) Inventors: **Simon Benghozi**, Montreal (CA); D520,143 S 5/2006 Yoneda
Sebastien Allen, St-Lazare (CA) D549,383 S 8/2007 Duggan
 D554,790 S 11/2007 Graham et al.
 D558,381 S 12/2007 Horn et al.
 (73) Assignee: **BAZZ Inc.**, Saint-Laurent, Quebec D574,539 S 8/2008 Sanoner
 D599,931 S 9/2009 van Klinken
 (**) Term: **15 Years** D634,049 S 3/2011 Wauters
 D646,426 S 10/2011 Wolk
 (21) Appl. No.: **29/676,968** D671,666 S 11/2012 Chen
 8,585,238 B2 11/2013 Krogman
 (22) Filed: **Jan. 16, 2019** D703,359 S * 4/2014 Thomas D26/63
 (Continued)

Related U.S. Application Data

(62) Division of application No. 29/610,870, filed on Jul. 17, 2017.
 (51) **LOC (12) Cl.** **26-05**
 (52) **U.S. Cl.**
 USPC **D26/63**; D26/67
 (58) **Field of Classification Search**
 USPC D26/63, 67-71
 CPC F21S 8/08; F21S 8/081; F21S 8/083; F21S
 8/088; F21S 9/03; F21S 9/037; F21V
 21/0824; F21V 21/26; F21V 21/30;
 F21W 2111/023; F21W 2111/02; F21W
 2131/109
 See application file for complete search history.

References Cited

(56) **U.S. PATENT DOCUMENTS**
 D119,854 S 4/1940 Gross
 D228,146 S 8/1973 Schwartz
 D253,853 S * 1/1980 Gerber D26/63
 4,317,164 A 2/1982 Karaktin
 D294,645 S 3/1988 Ewing et al.
 D316,303 S * 4/1991 Layne D26/63
 D322,140 S 12/1991 Dacanay et al.
 5,246,285 A 9/1993 Redburn et al.

OTHER PUBLICATIONS

COMI Spot Light IP65 B3A-B0106 from COMI Landscape Light-
 ing © 2018 (Year: 2018).*
 (Continued)

Primary Examiner — Clare E Heflin
 (74) *Attorney, Agent, or Firm* — Lavery, De Billy, LLP;
 Gonzalo Lavin

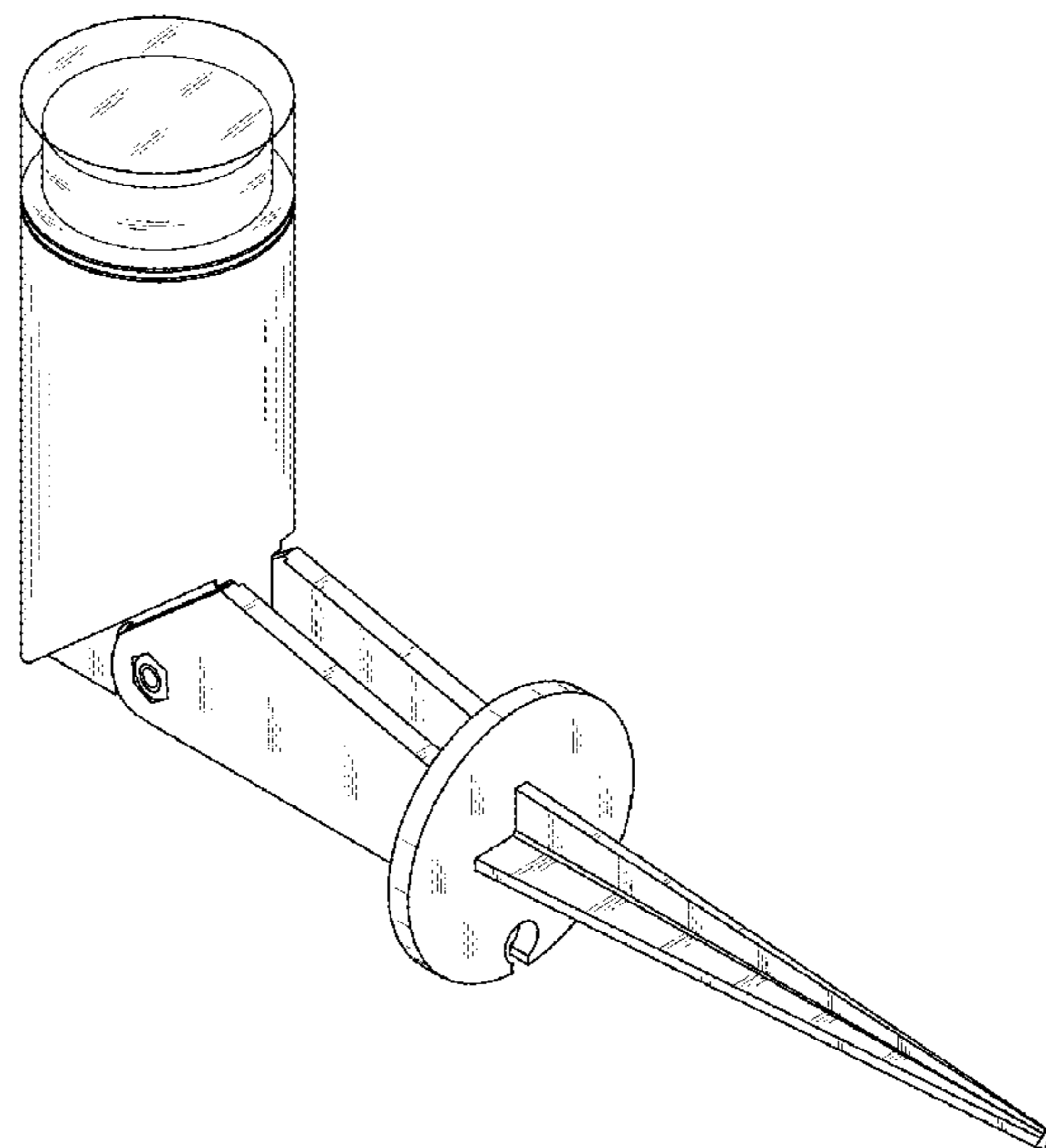
CLAIM

(57) The ornamental design for a “light fixture”, as shown and described.

DESCRIPTION

FIG. 1 is a bottom perspective view of the light fixture showing the new design;
 FIG. 2 is a front view of the light fixture of FIG. 1;
 FIG. 3 is a rear view of the light fixture of FIG. 1;
 FIG. 4 is a side view of the light fixture of FIG. 1;
 FIG. 5 is a top plan view of the light fixture of FIG. 1; and,
 FIG. 6 is a bottom plan view of the light fixture of FIG. 1.

1 Claim, 6 Drawing Sheets



(56)

References Cited

U.S. PATENT DOCUMENTS

D731,694	S	6/2015	Tomlinson	
D742,576	S	11/2015	Blum et al.	
D760,939	S	7/2016	Hoang	
D766,483	S *	9/2016	Khubani	D26/63
D777,963	S	1/2017	Helms	
D812,280	S *	3/2018	Lechtenberg	D26/63
D827,898	S *	9/2018	Li	D26/67
D827,899	S	9/2018	Li	
D833,056	S	11/2018	Sonneman	
D848,653	S *	5/2019	Gines	D26/63
D851,312	S *	6/2019	Hwa	D26/63
2004/0156189	A1 *	8/2004	Opolka	B25D 1/00 362/119
2017/0167695	A1 *	6/2017	Erdener	H05B 33/0845
2017/0198887	A1 *	7/2017	Veloskey	F21V 17/02
2019/0101265	A1 *	4/2019	Steele	F21V 17/12

OTHER PUBLICATIONS

LED outdoor spotlight Anton with ground spike from lights.ie, visited Jul. 19, 2019. (Year: 2019).*

Intermatic CL635R Malibu Low Voltage Metal Capped 20-Watt Landscape Bollard Light, available at amazon.com as early as Jun. 30, 2006 (Year: 2006).

Sunwind LED Solar Pathway Lights—6 Pack Silver Stainless Steel Solar Landscape Lights Garden Outdoor Bollard Decorative Lighting for Path/Yard/Garden/Patio/Lawn/Home. Available at amazon.com as early as Oct. 22, 2018 (Year: 2018).

* cited by examiner

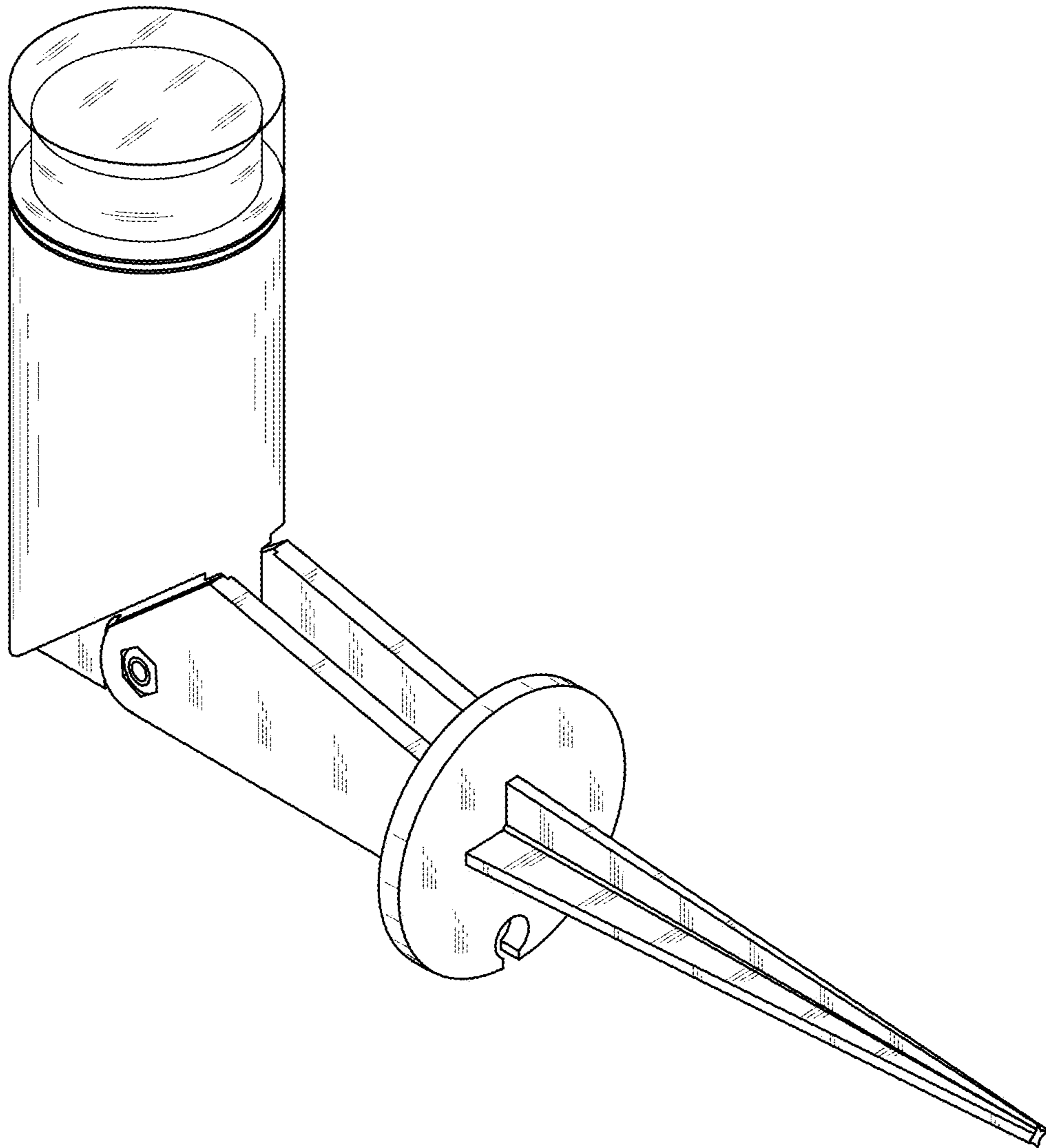


FIG. 1

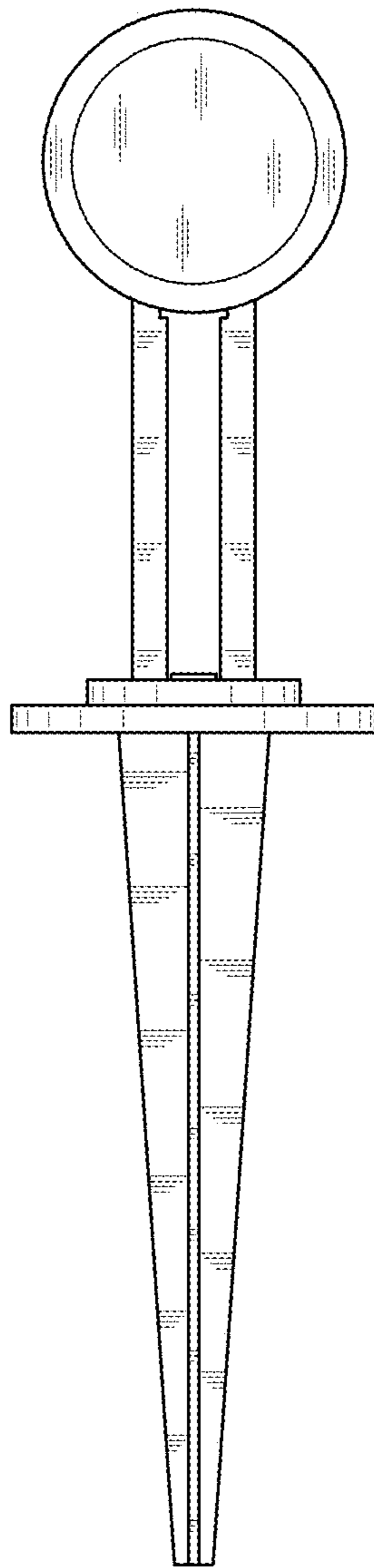


FIG. 2

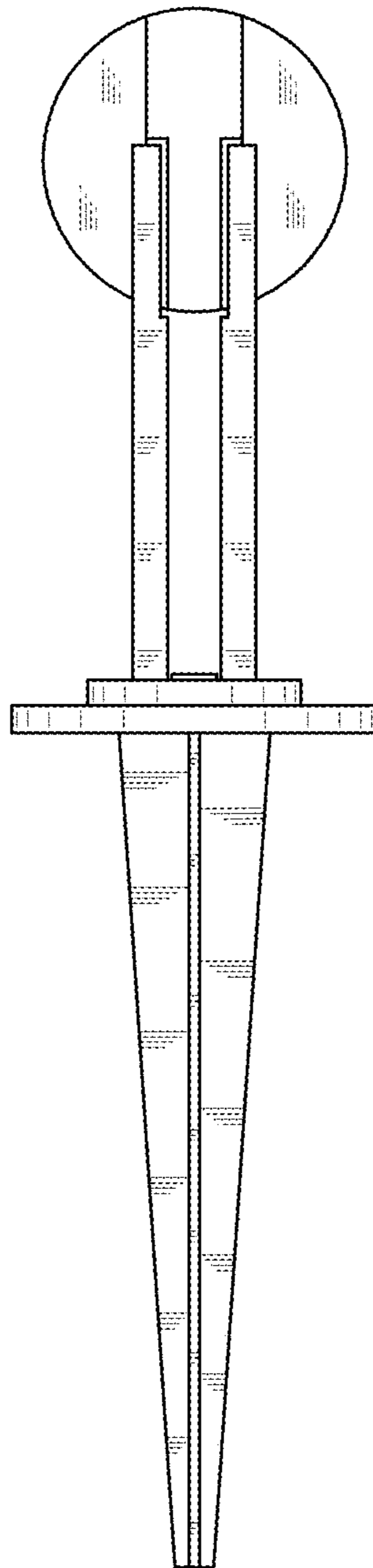


FIG. 3

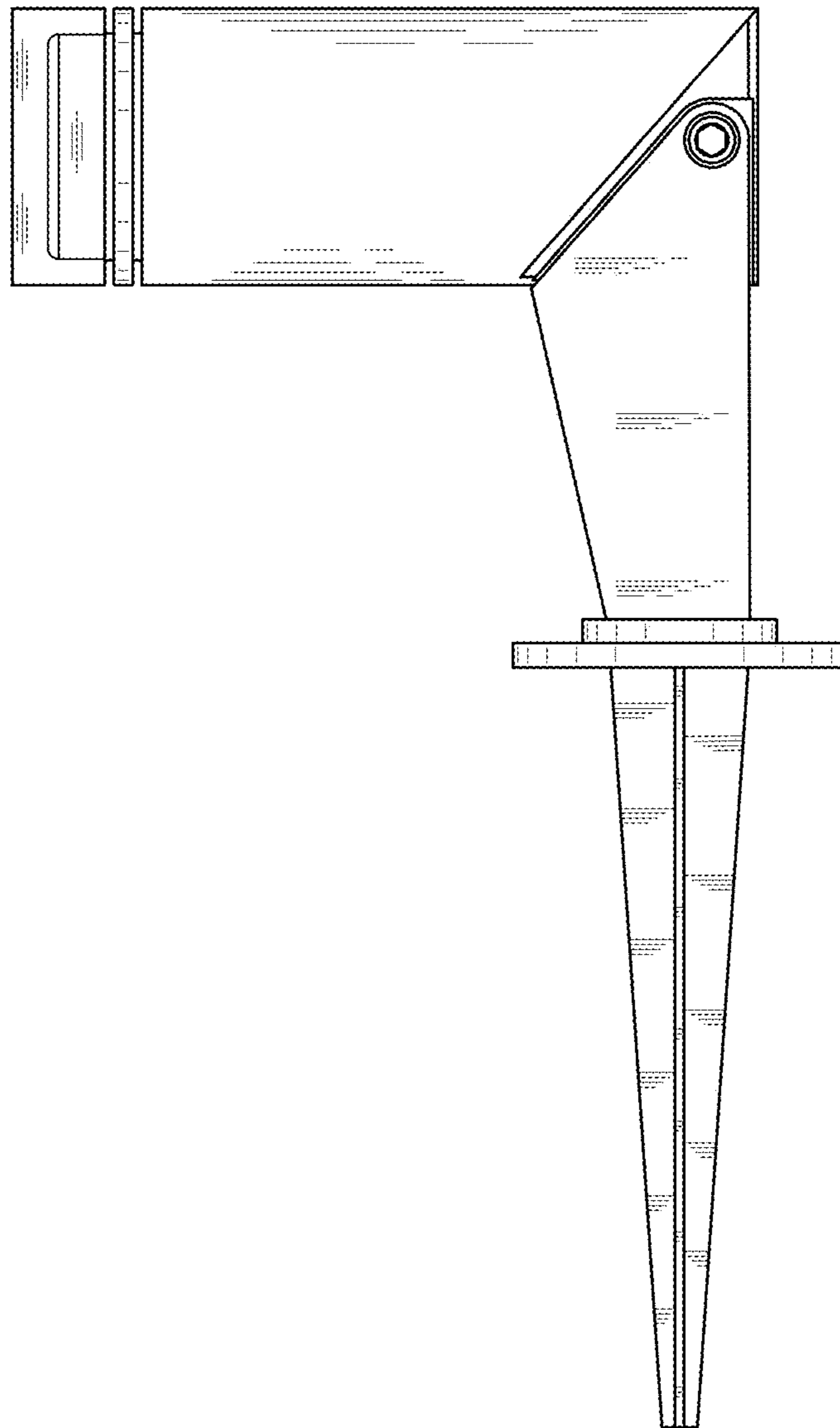


FIG. 4

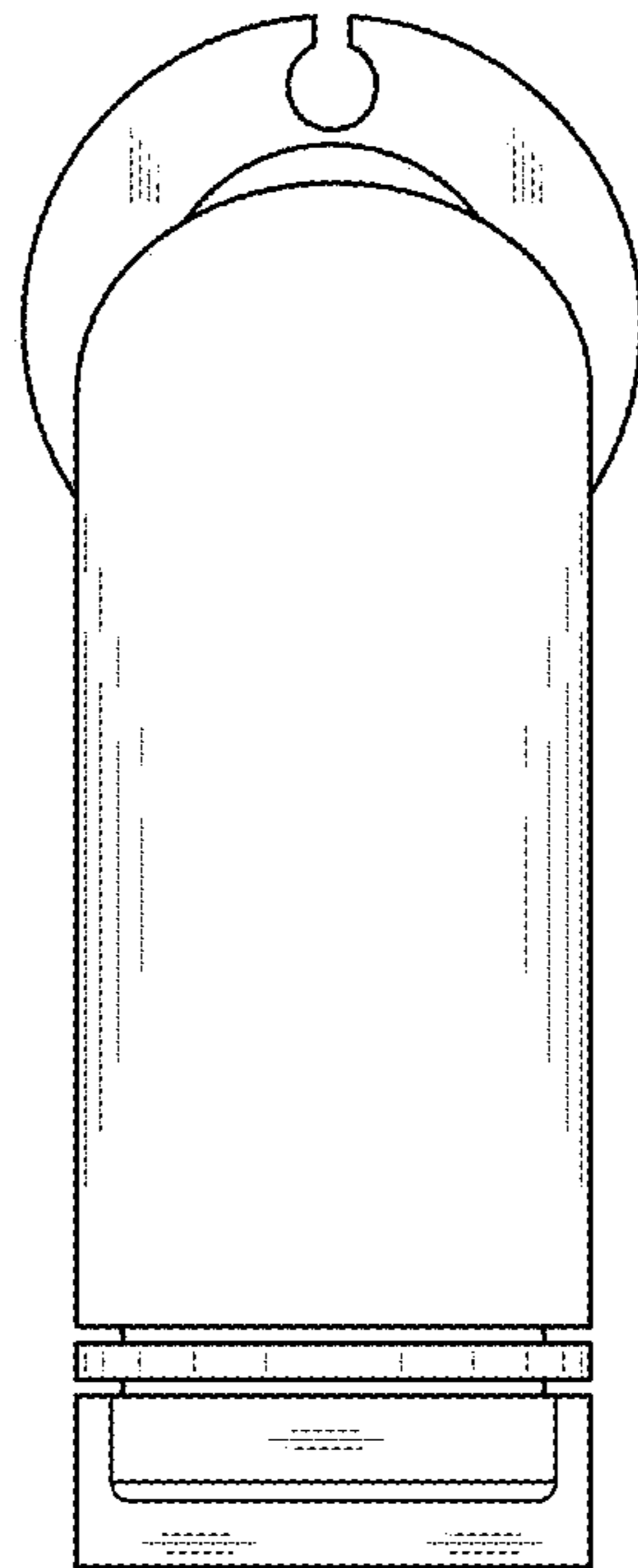


FIG. 5

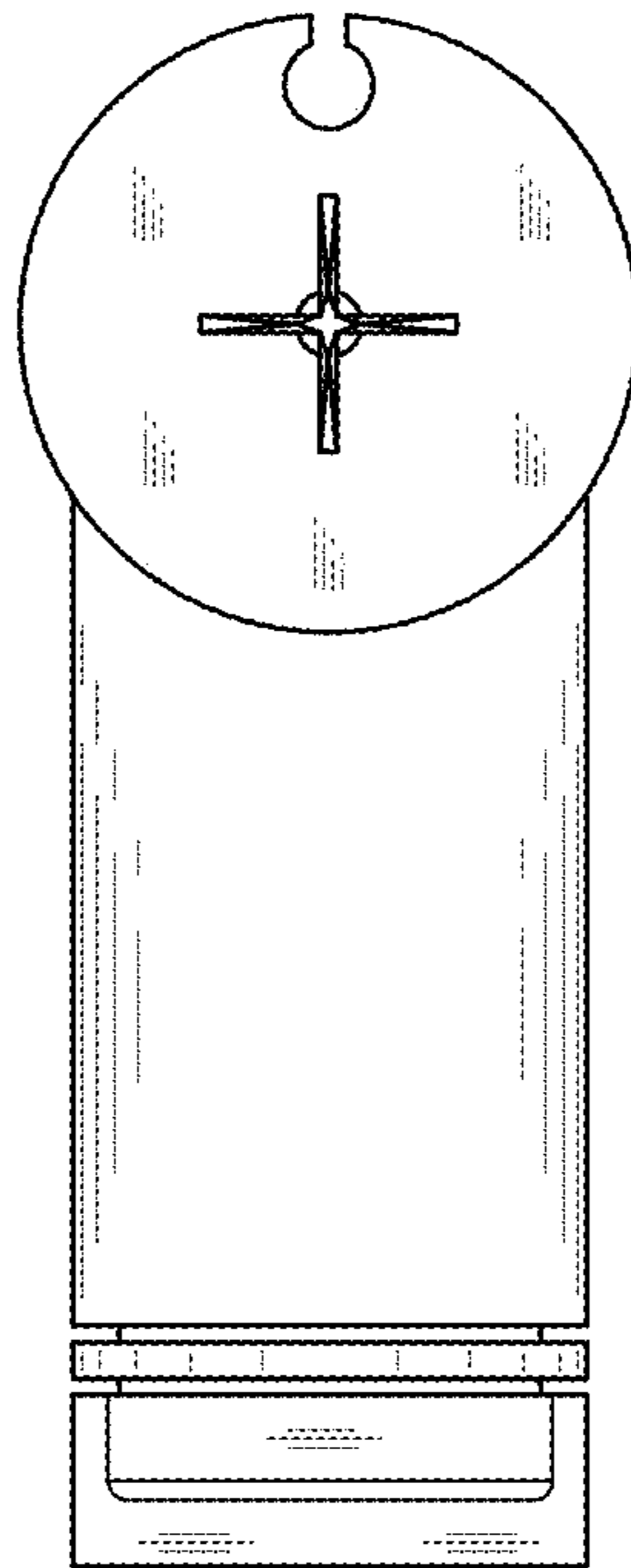


FIG. 6