



US00D870340S

(12) **United States Design Patent**  
**Gruendl et al.**

(10) **Patent No.:** **US D870,340 S**

(45) **Date of Patent:** **\*\* Dec. 17, 2019**

(54) **LUMINAIRE**

(71) Applicant: **ZUMTOBEL LIGHTING GMBH,**  
Lemgo (DE)

(72) Inventors: **Harald Gruendl, Vienna (AT); Gernot Bohmann, Vienna (AT); Martin Bergmann, Vienna (AT)**

(73) Assignee: **ZUMTOBEL LIGHTING GMBH,**  
Dornbirn (AT)

(\*\*) Term: **15 Years**

(21) Appl. No.: **29/663,405**

(22) Filed: **Sep. 14, 2018**

(30) **Foreign Application Priority Data**

Mar. 16, 2018 (EP) ..... 004 761 583

(51) **LOC (12) Cl.** ..... **26-05**

(52) **U.S. Cl.**  
USPC ..... **D26/63**

(58) **Field of Classification Search**  
USPC ..... D26/24, 44, 63, 69, 72, 74, 76, 80, 86,  
D26/88, 102, 110, 119; 362/233,  
362/236-244, 431  
CPC ..... F21V 21/00; F21V 21/02; F21V 21/06;  
F21V 21/005; F21V 21/30; F21V 15/01;  
F21V 15/04; F21V 15/12; F21X 2131/10;  
F21X 2131/017; F21X 2131/101; F21X  
2131/105; F21X 2131/406; F21X  
2131/407; F21S 8/00; F21S 8/02; F21S  
8/03; F21S 8/04; F21S 8/026; F21S  
8/033; F21S 8/035; F21S 8/036; F21S  
8/037

See application file for complete search history.

(56) **References Cited**

**U.S. PATENT DOCUMENTS**

D264,254 S \* 5/1982 Heritage ..... D26/63  
D285,360 S \* 8/1986 Joosten ..... D26/85

D526,735 S \* 8/2006 Targetti ..... D26/63  
D593,695 S \* 6/2009 Levine ..... D26/42  
D650,504 S \* 12/2011 Kim ..... D26/63  
D698,972 S \* 2/2014 Guzzini ..... D26/74  
D699,385 S \* 2/2014 Guzzini ..... D26/74  
D736,444 S \* 8/2015 Boudewyns ..... D26/63  
D775,393 S \* 12/2016 Adams ..... D26/63  
D785,219 S \* 4/2017 Swai ..... D26/63  
D788,345 S \* 5/2017 Salomon ..... D26/74  
D805,241 S \* 12/2017 Fletcher ..... D26/118  
D808,566 S \* 1/2018 Goetz-Schaefer ..... D26/76

(Continued)

*Primary Examiner* — Wan Laymon

*Assistant Examiner* — Clint A Samuel

(74) *Attorney, Agent, or Firm* — Scully Scott Murphy and Presser

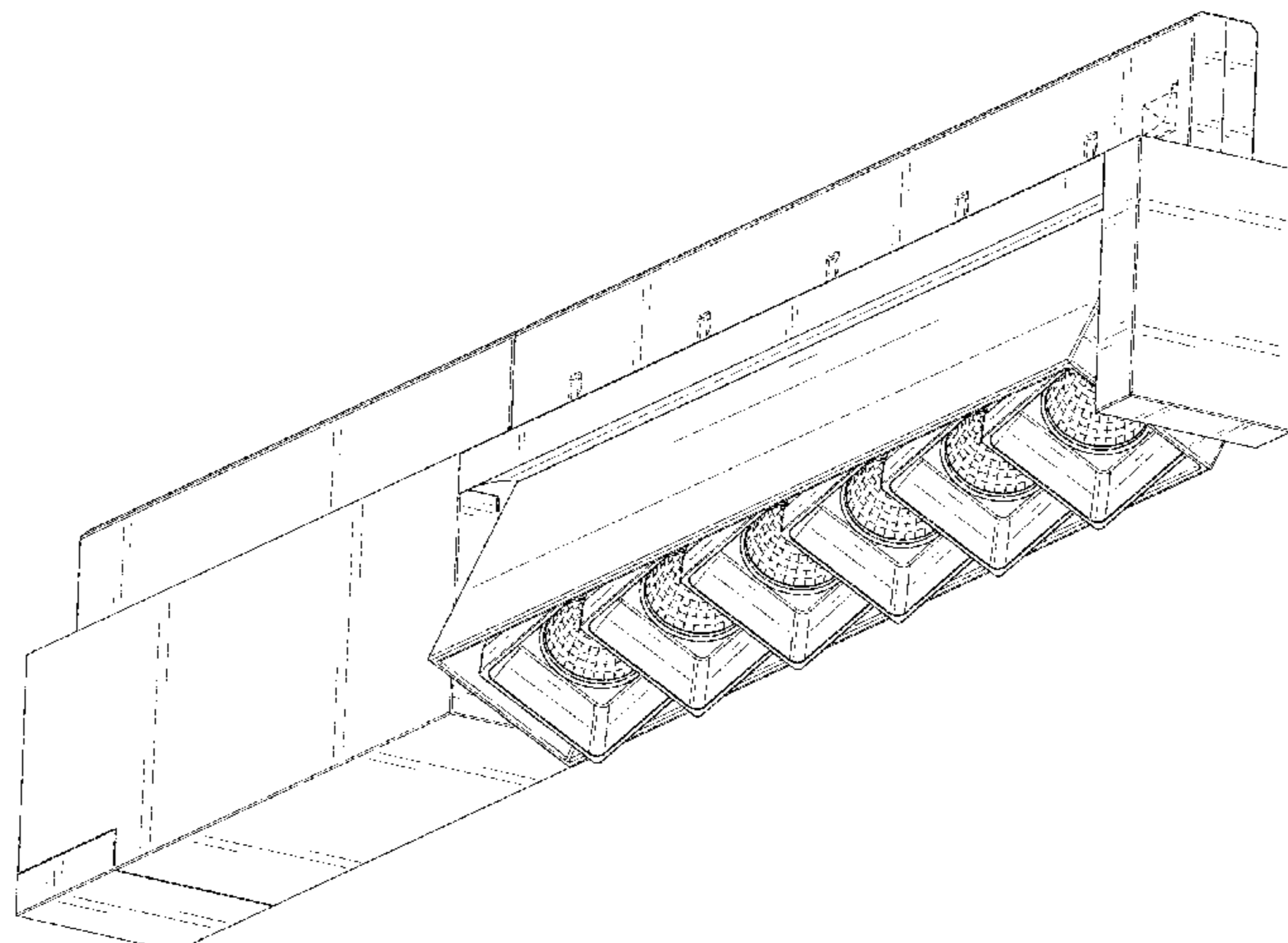
(57) **CLAIM**

The ornamental design for a luminaire, as shown and described.

**DESCRIPTION**

FIG. 1 illustrates a bottom, front perspective view of a luminaire showing our new design;  
FIG. 2 illustrates an alternate bottom, front perspective view thereof;  
FIG. 3 illustrates a top, back perspective view thereof;  
FIG. 4 illustrates a top, front perspective view thereof;  
FIG. 5 illustrates a bottom, side perspective view thereof;  
FIG. 6 illustrates a front elevation view thereof;  
FIG. 7 illustrates a back elevation view thereof;  
FIG. 8 illustrates a bottom plan view thereof;  
FIG. 9 illustrates a top plan view thereof;  
FIG. 10 illustrates a side elevation view thereof; and,  
FIG. 11 illustrates an opposite side elevation view thereof.  
The broken lines are included for the purpose of illustrating portions of the article that form no part of the claimed design.

**1 Claim, 10 Drawing Sheets**



(56)

**References Cited**

U.S. PATENT DOCUMENTS

D814,683	S	*	4/2018	Huyghe	.....	D26/86
D821,011	S	*	6/2018	Yan	.....	D26/63
D833,662	S	*	11/2018	Gordin	.....	D26/63
D835,324	S	*	12/2018	Haubach	.....	D26/86
D853,010	S	*	7/2019	Coirier	.....	D26/74
D853,011	S	*	7/2019	Coirier	.....	D26/74
D855,237	S	*	7/2019	Liu	.....	D26/76
2015/0308642	A1	*	10/2015	Vo	.....	H04N 5/2256 362/648

\* cited by examiner

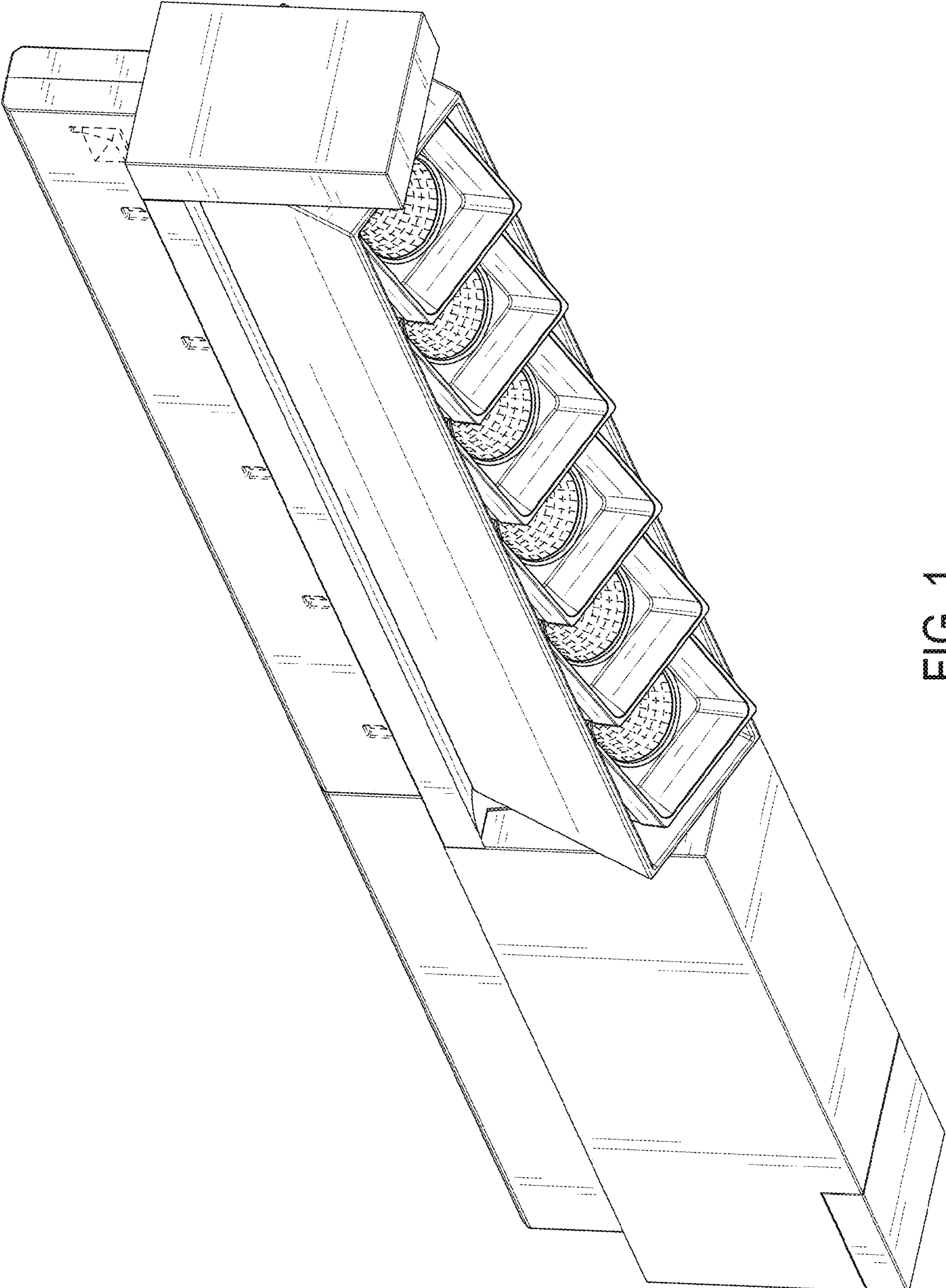


FIG. 1



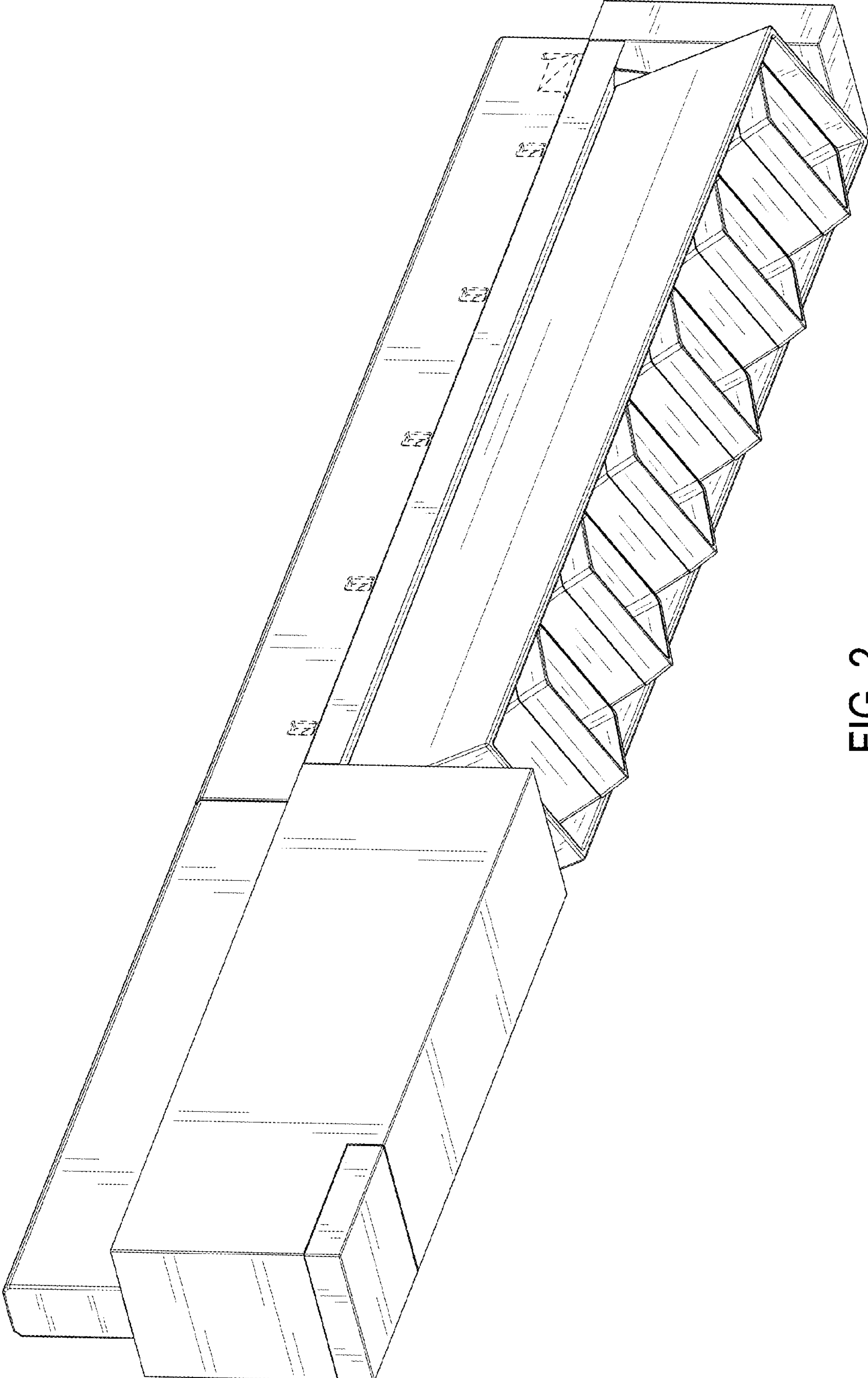


FIG. 2

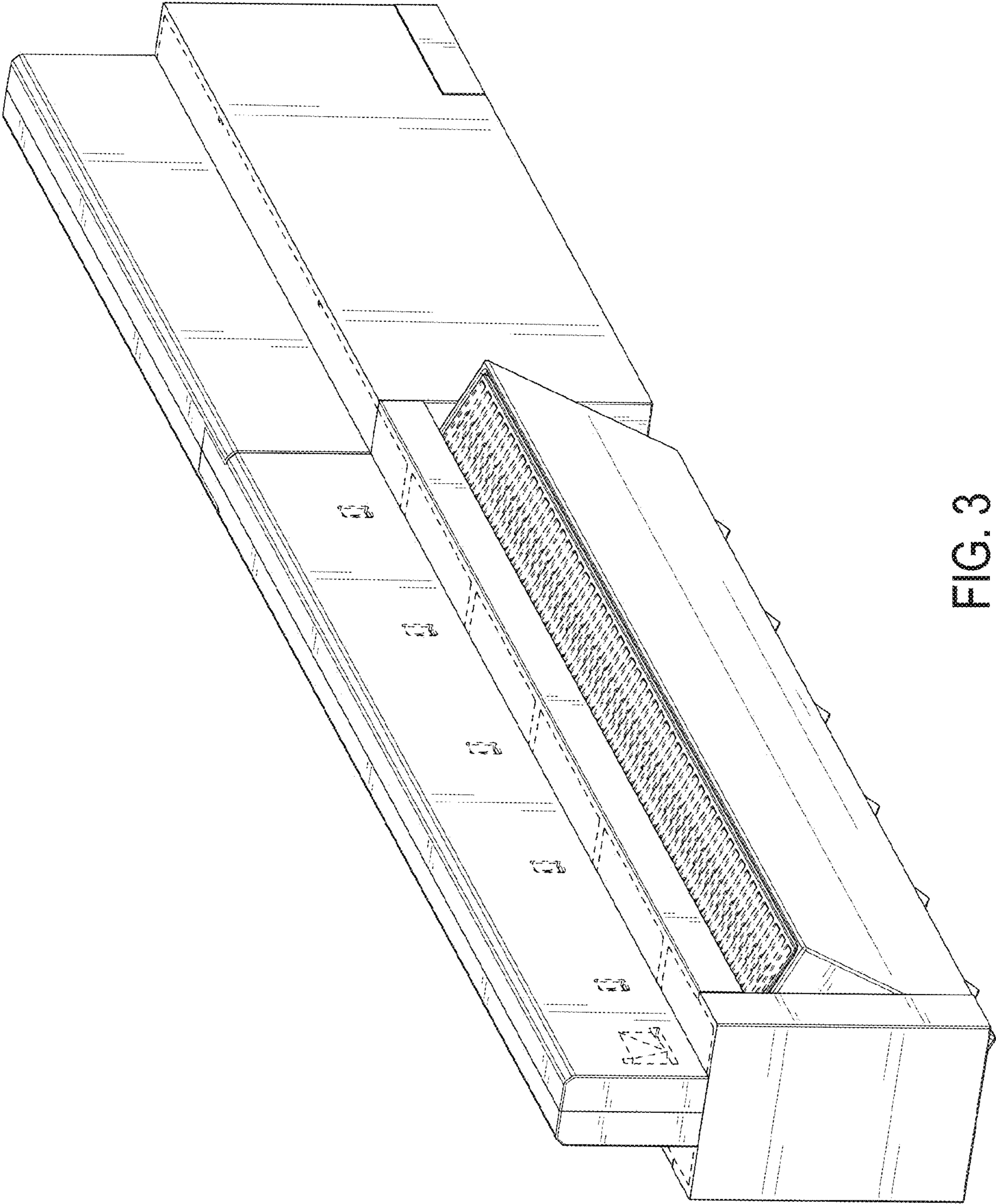


FIG. 3

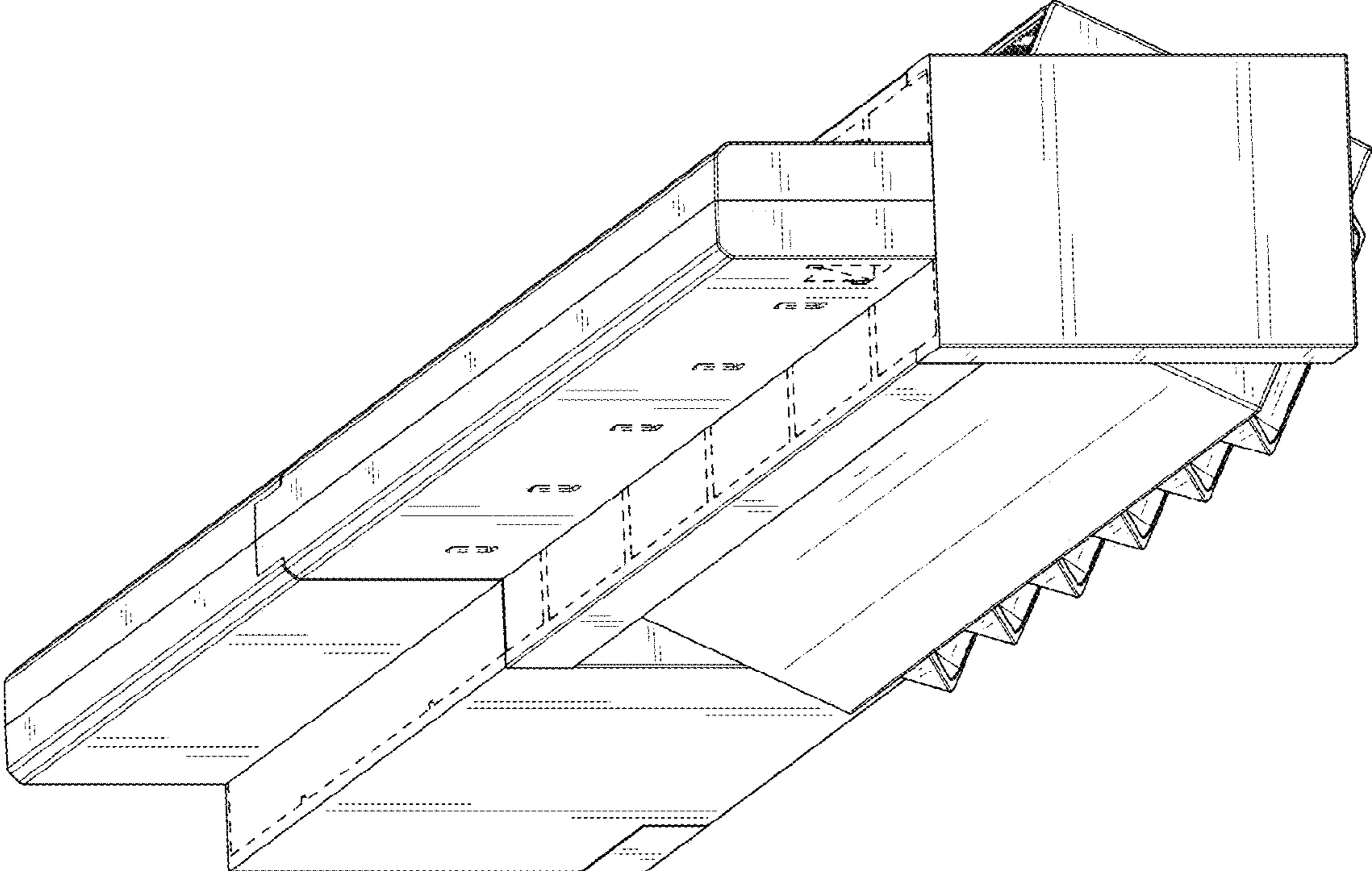


FIG. 4

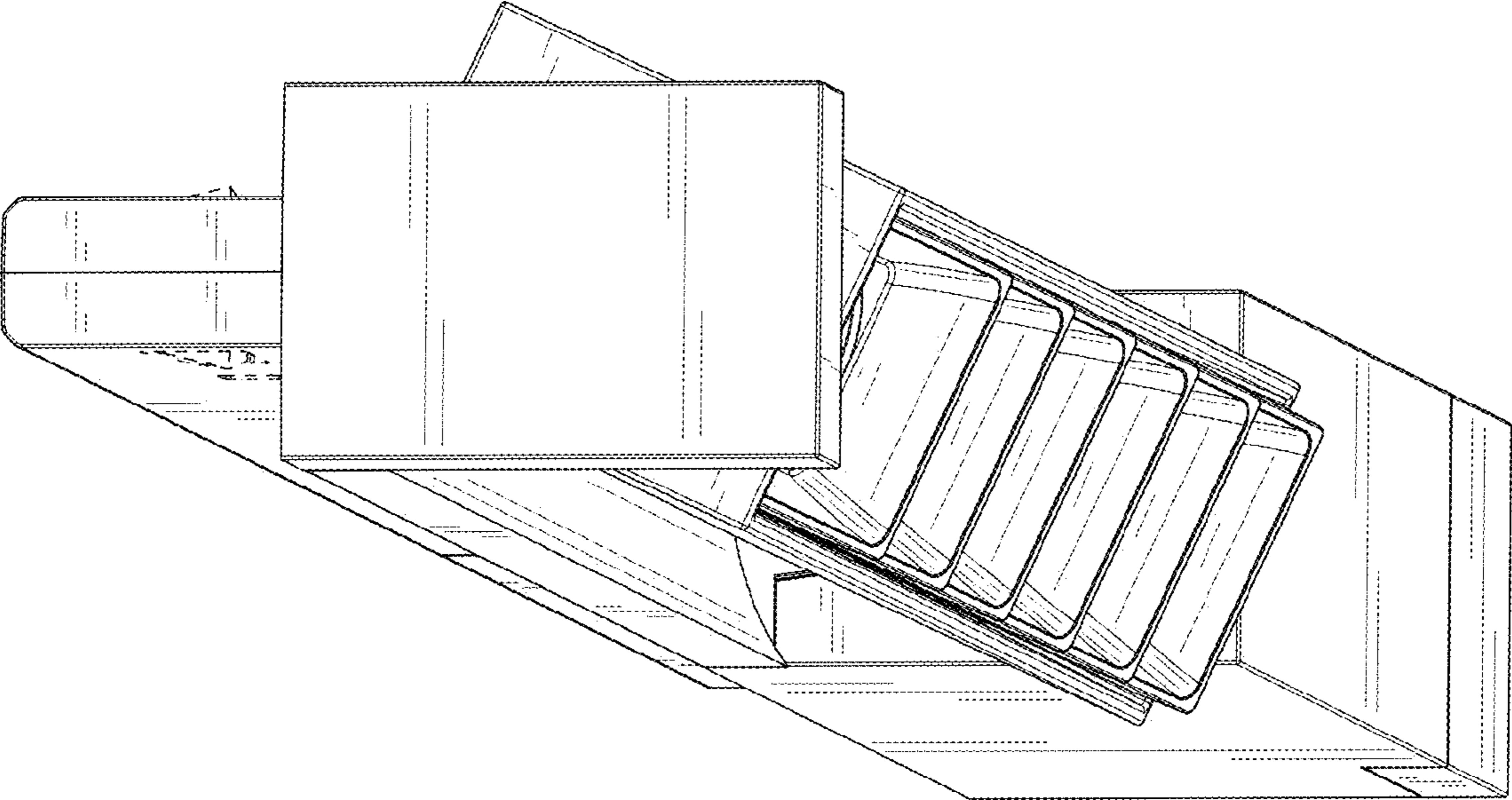


FIG. 5



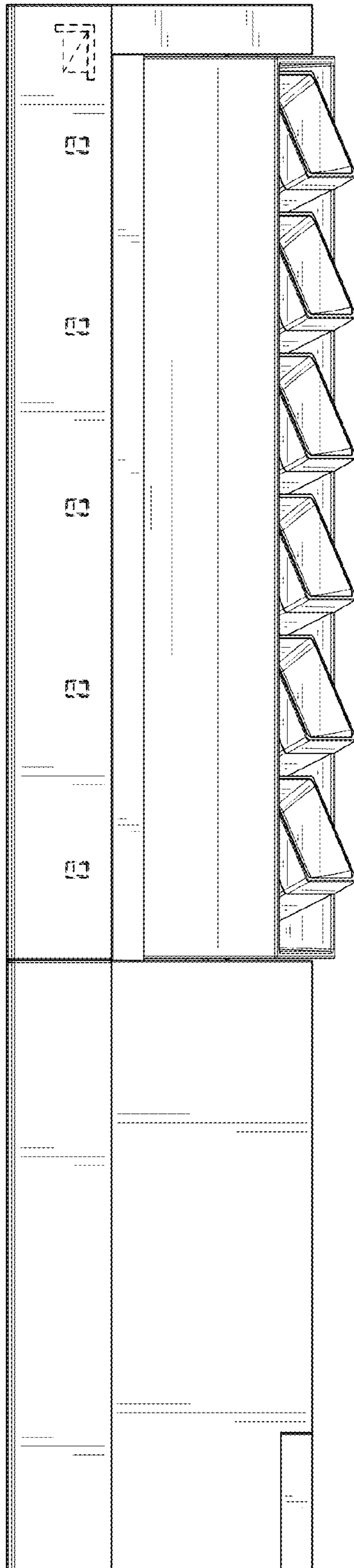


FIG. 6



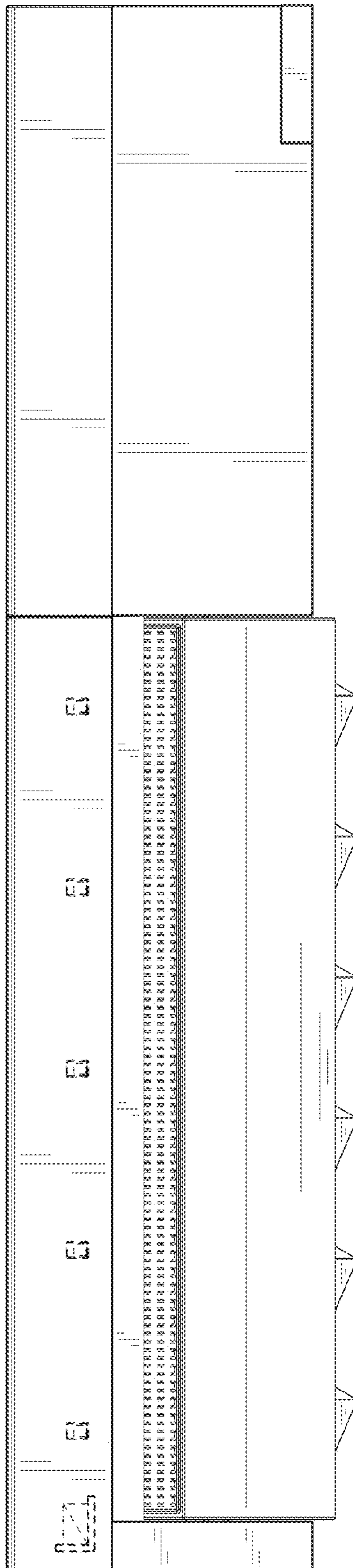


FIG. 7

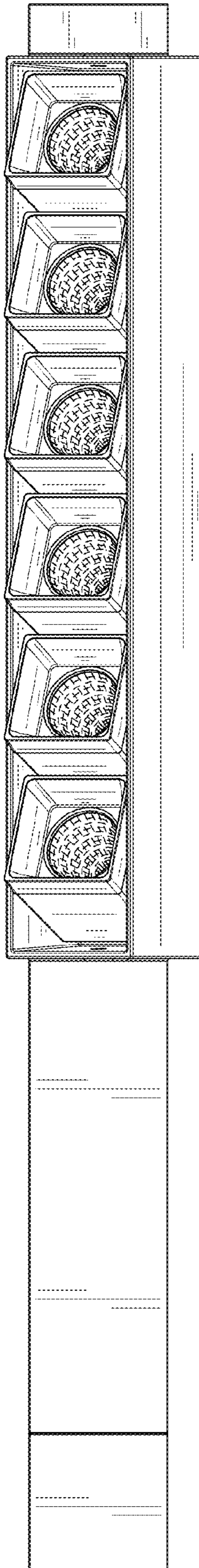


FIG. 8

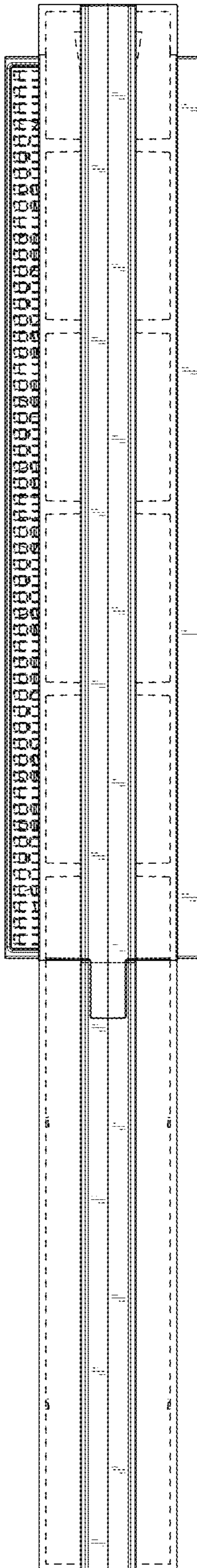


FIG. 9

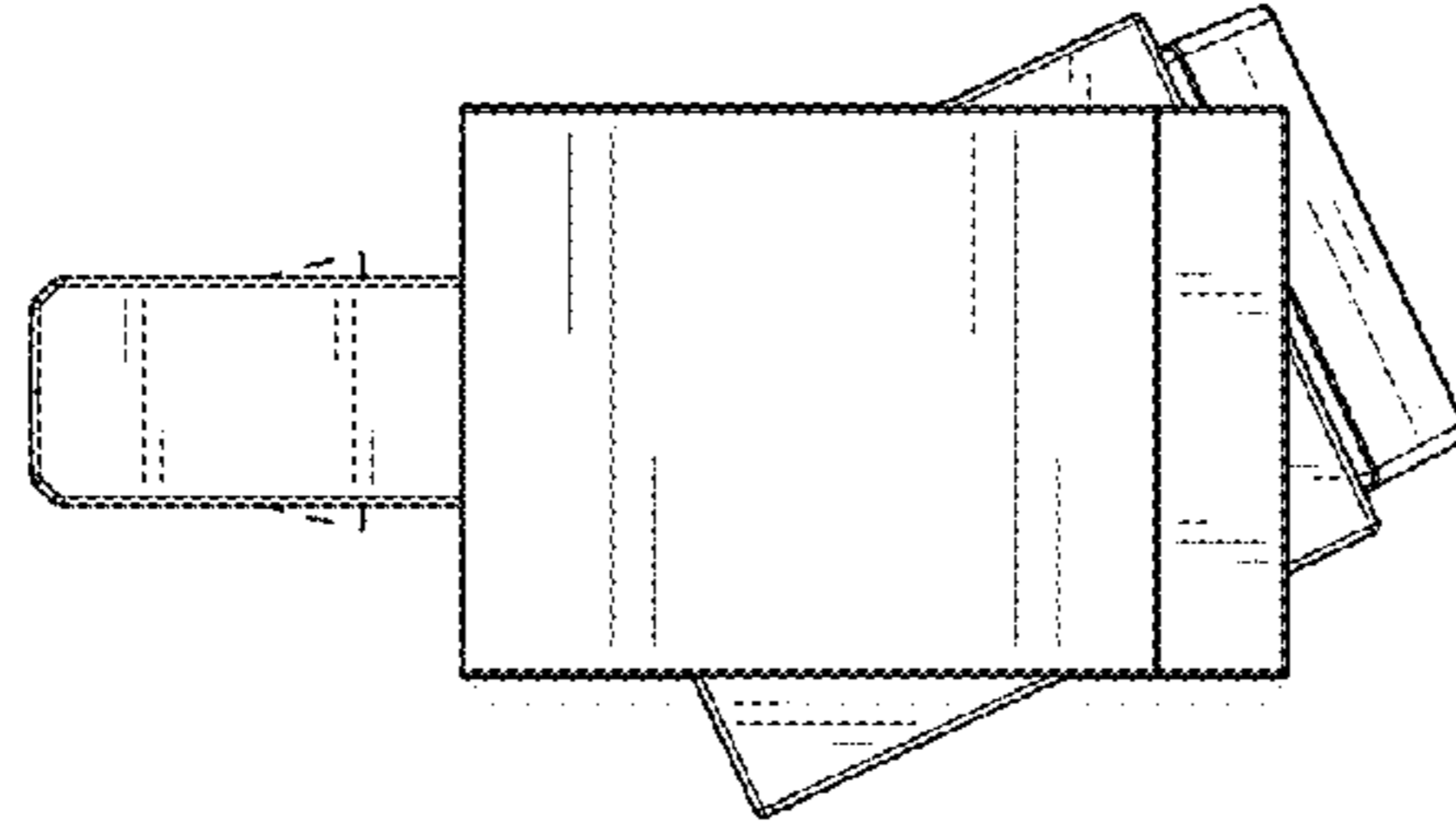


FIG. 11

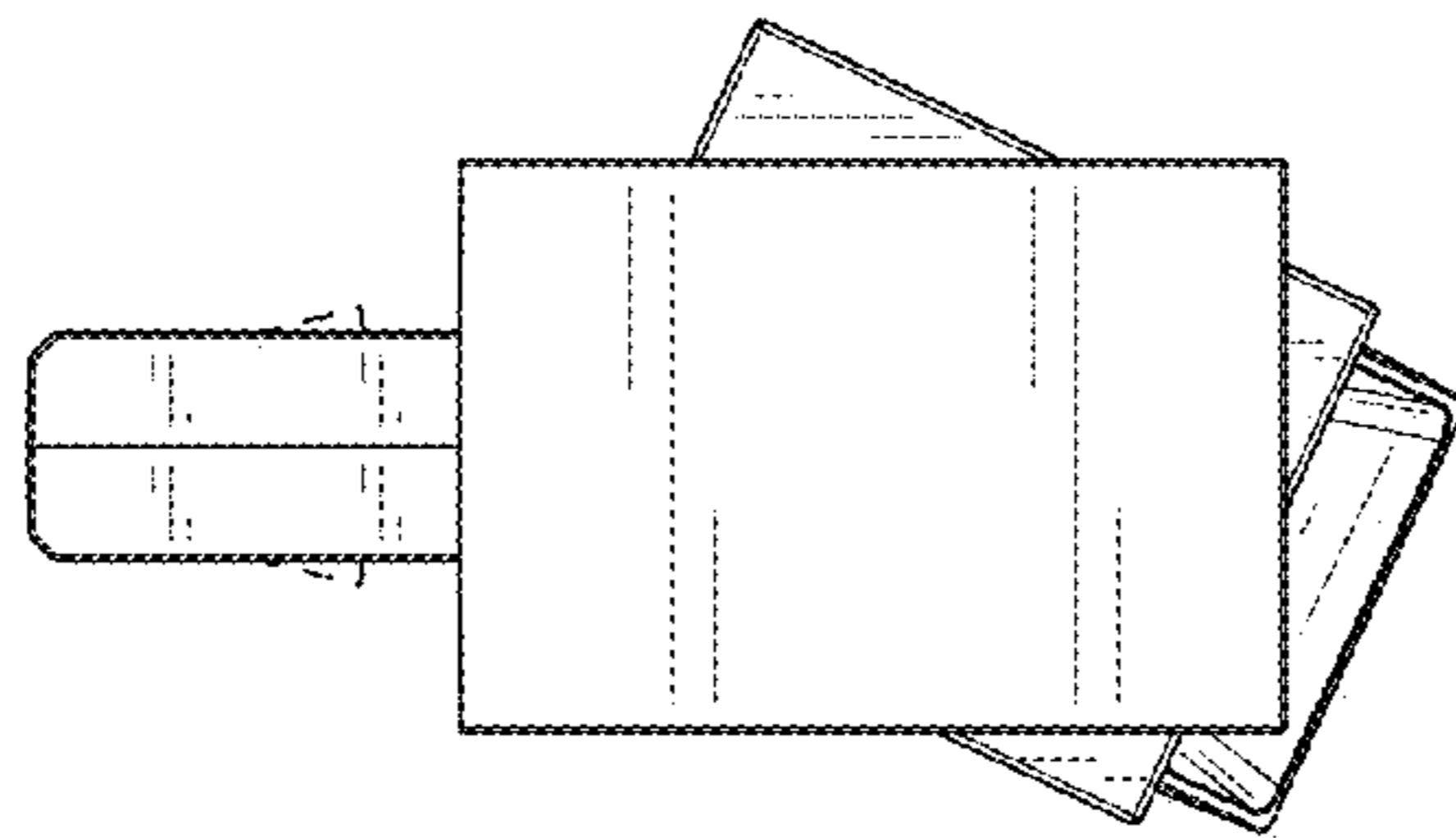


FIG. 10