



US00D870339S

(12) **United States Design Patent** (10) **Patent No.:** **US D870,339 S**
Govindani (45) **Date of Patent:** **** Dec. 17, 2019**

(54) **MAKEUP LIGHT**

(71) Applicant: **Spark Innovators Corp.**, Fairfield, NJ
(US)

(72) Inventor: **Mahesh Govindani**, Montville, NJ
(US)

(73) Assignee: **Spark Innovators Corp.**, Fairfield, NJ
(US)

(**) Term: **15 Years**

(21) Appl. No.: **29/648,173**

(22) Filed: **May 18, 2018**

(51) **LOC (12) Cl.** **26-05**

(52) **U.S. Cl.**
USPC **D26/60; D26/80**

(58) **Field of Classification Search**
USPC D26/72, 80, 85, 86, 87, 92, 60
CPC F21S 8/03; F21S 8/033; F21S 8/036; F21S
8/037; F21S 9/037; F21V 1/04; F21V
17/102; F21V 21/092; F21V 21/0925;
F21W 2131/302

See application file for complete search history.

(56) **References Cited**

U.S. PATENT DOCUMENTS

| | | | | |
|----------------|---------|-------------|-------|------------------------|
| D261,436 S * | 10/1981 | Palka | | D26/80 |
| D299,550 S * | 1/1989 | Payne | | D26/42 |
| 5,295,055 A * | 3/1994 | Brock | | F21V 21/092 362/128 |
| D359,374 S * | 6/1995 | Weinstock | | D26/80 |
| D428,182 S * | 7/2000 | Dolan | | D26/87 |
| 6,364,502 B1 * | 4/2002 | Johnson | | F21V 21/00 362/127 |
| D530,844 S * | 10/2006 | Tran | | D26/60 |
| D612,973 S * | 3/2010 | Munstermann | | D26/80 |

| | | | | |
|-------------------|---------|---------------|-------|------------------------|
| D620,630 S * | 7/2010 | Sabernig | | D26/86 |
| D642,726 S * | 8/2011 | Khubani | | D26/37 |
| D662,636 S * | 6/2012 | Katsaros | | D26/60 |
| D674,948 S * | 1/2013 | Vigil | | D26/60 |
| D745,989 S * | 12/2015 | Katz | | D26/60 |
| D843,045 S * | 3/2019 | Vanslambrouck | | D26/72 |
| 2014/0078724 A1 * | 3/2014 | Bendit | | F21V 14/085 362/184 |
| 2016/0215966 A1 * | 7/2016 | Heller | | A45D 44/04 |
| 2017/0303373 A1 * | 10/2017 | Vicknair | | F21K 9/00 |

OTHER PUBLICATIONS

YouTube video of the "Studio Glow" from Spark Innovators, published Aug. 8, 2018. (Year: 2018).*

* cited by examiner

Primary Examiner — Clare E Heflin

(74) *Attorney, Agent, or Firm* — Venable LLP; Michele V. Frank; Laura G. Remus

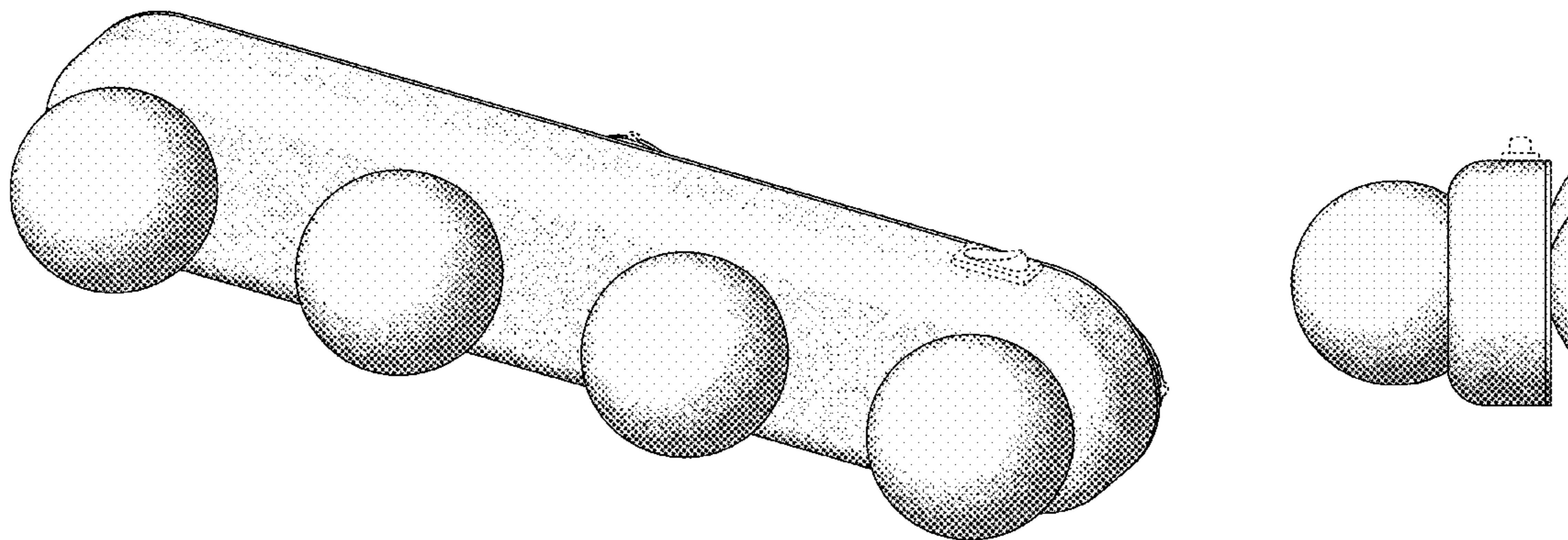
(57) **CLAIM**

The ornamental design for a makeup light, as shown and described.

DESCRIPTION

FIG. 1 is a perspective view of a makeup light showing my new design;
FIG. 2 is a front elevational view thereof;
FIG. 3 is a back elevational view thereof;
FIG. 4 is a left side elevational view thereof;
FIG. 5 is a right side elevational view thereof;
FIG. 6 is a top plan view thereof; and,
FIG. 7 is a bottom plan view thereof.
The broken lines in the drawings depict unclaimed environmental structure.

1 Claim, 6 Drawing Sheets



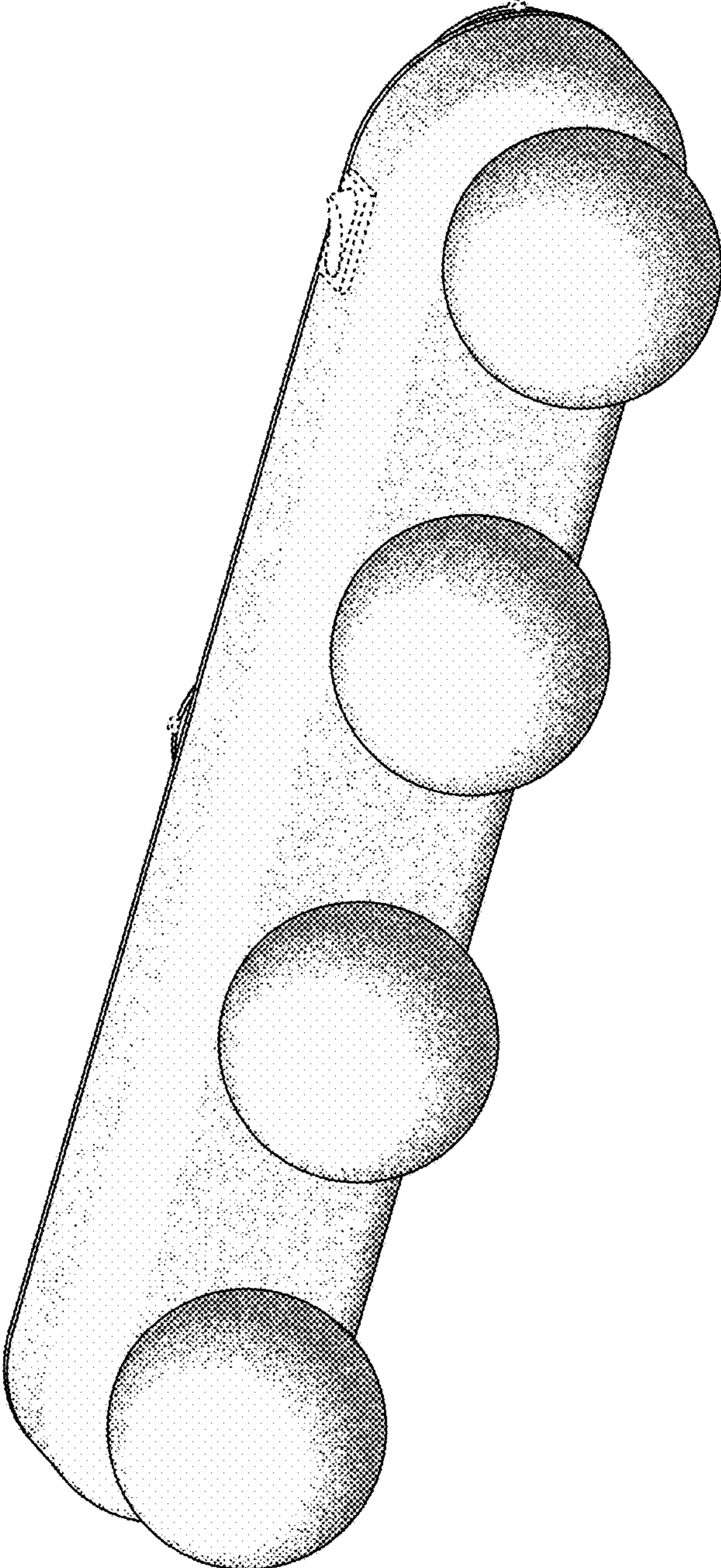


Fig. 1

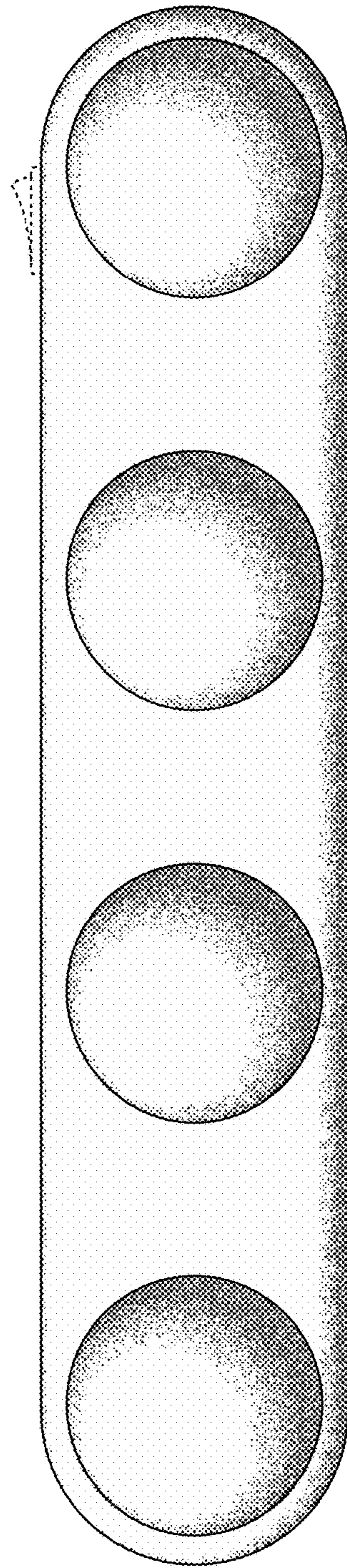


Fig. 2

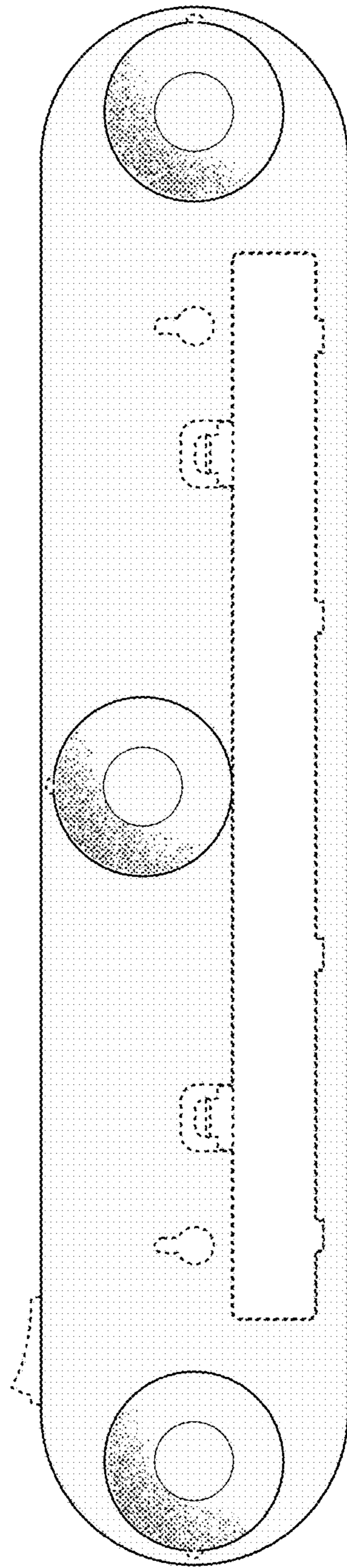


Fig. 3

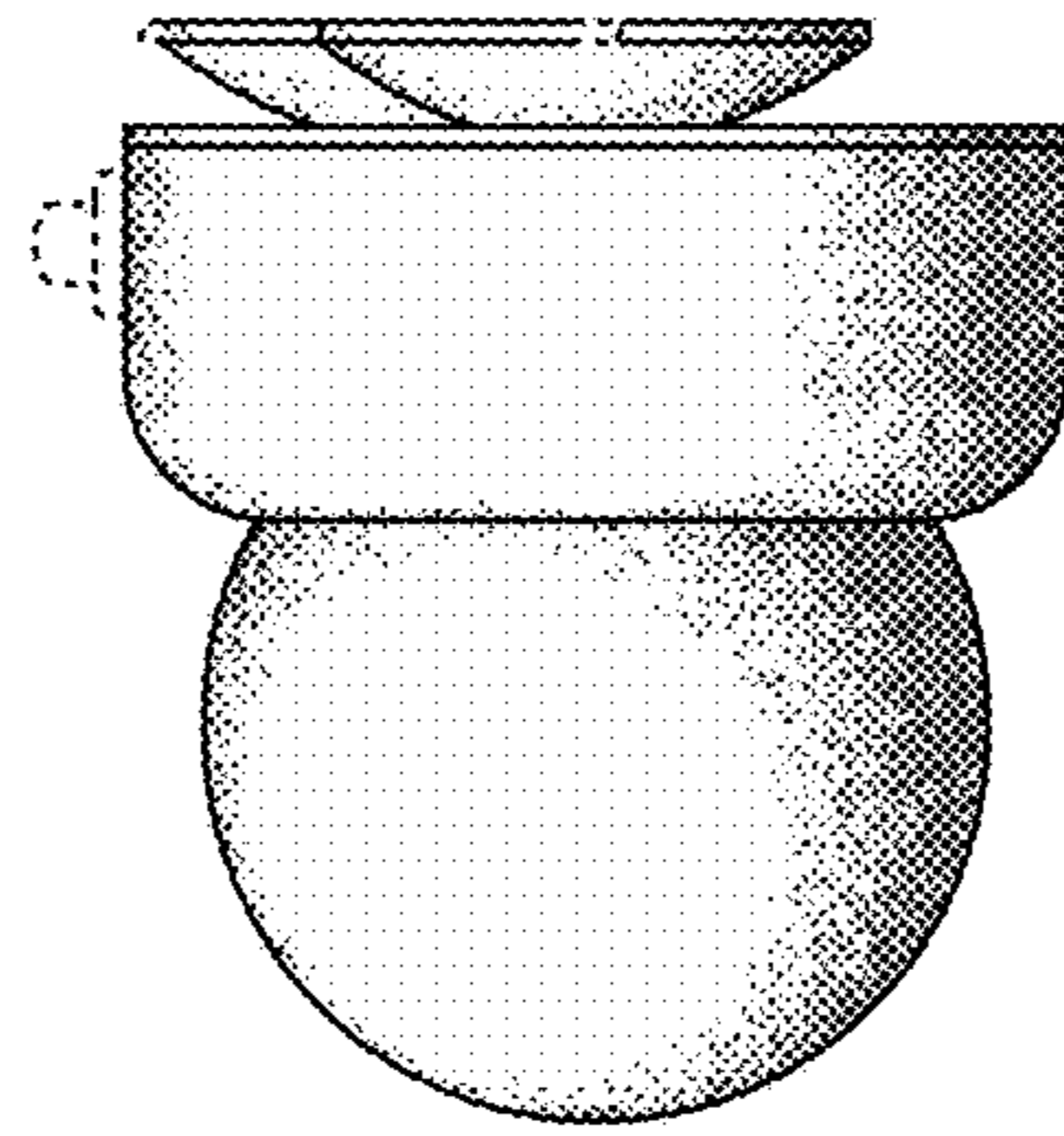


Fig. 5

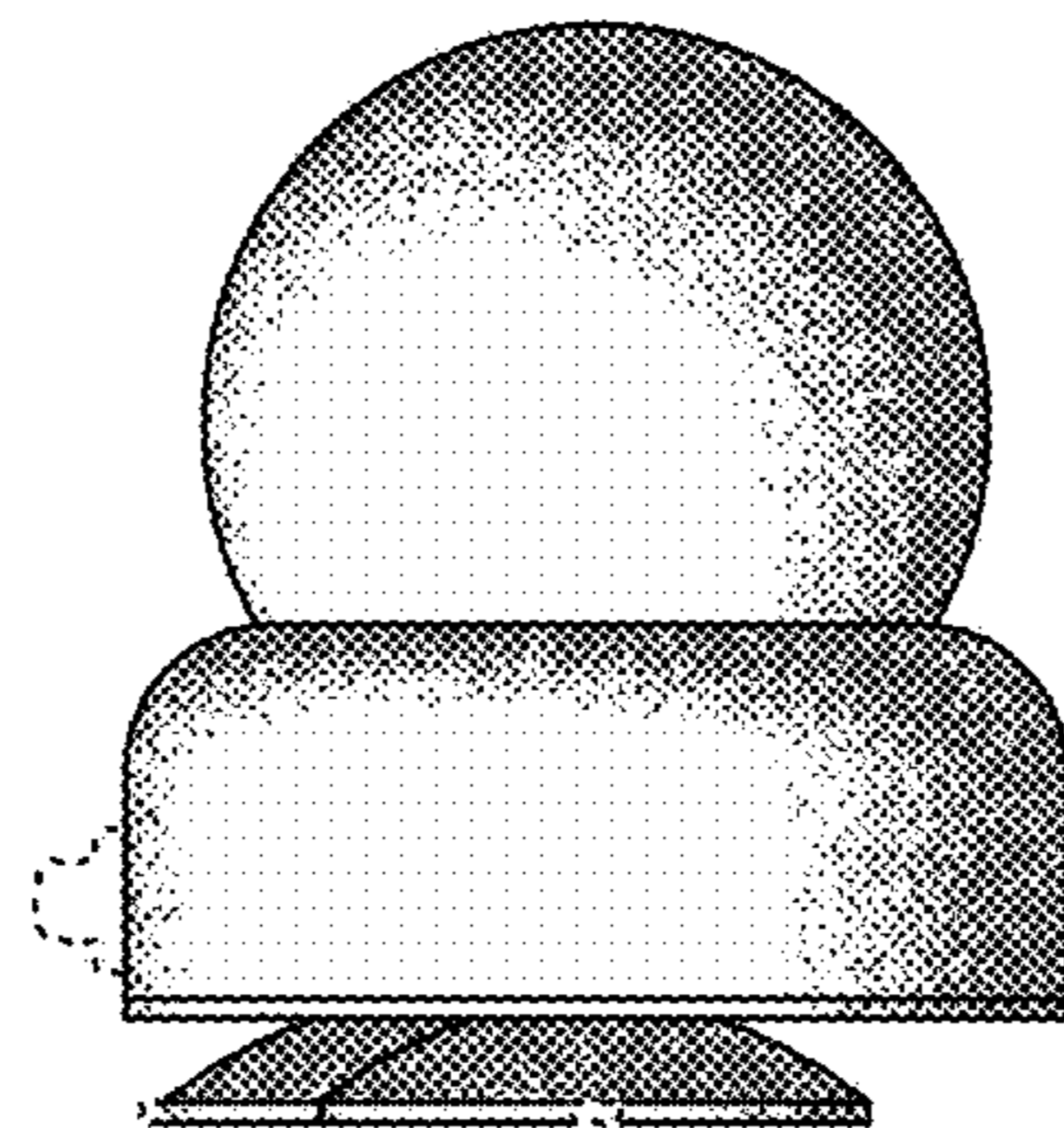


Fig. 4

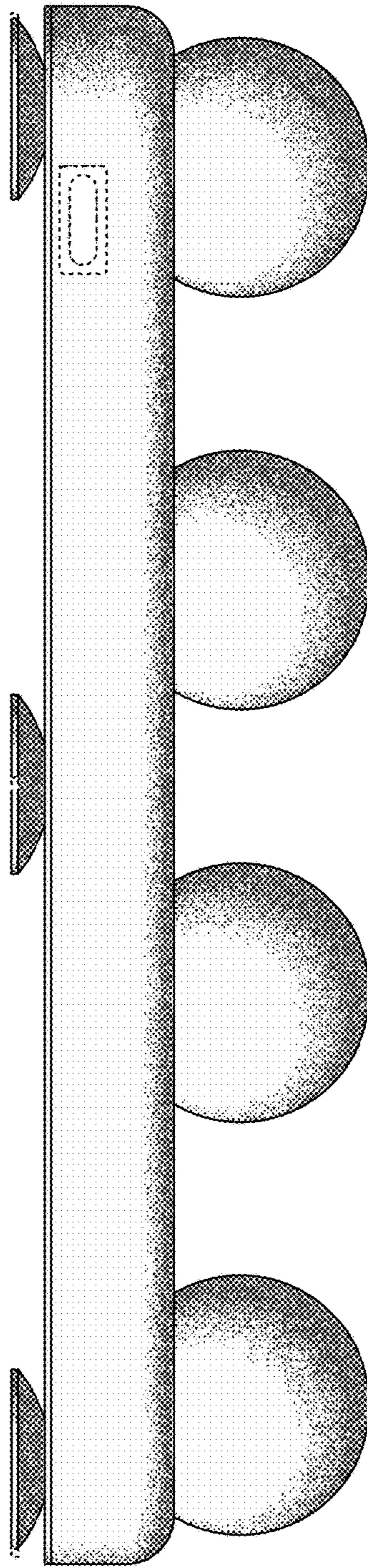


Fig. 6

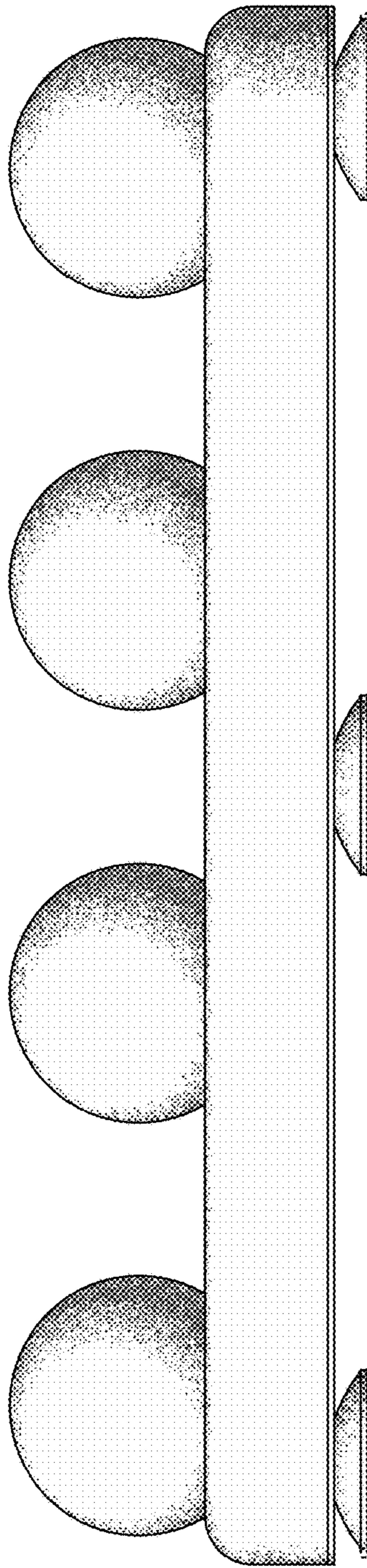


Fig. 7