



US00D870337S

(12) **United States Design Patent**
Green et al.

(10) **Patent No.:** **US D870,337 S**

(45) **Date of Patent:** **** Dec. 17, 2019**

(54) **FLASHLIGHT**

(71) Applicant: **HOME DEPOT PRODUCT AUTHORITY, LLC**, Atlanta, GA (US)

(72) Inventors: **Adam R. Green**, Marietta, GA (US);
Darryl W. Ticken, Woodstock, GA (US)

(73) Assignee: **Home Depot Product Authority, LLC**, Atlanta, GA (US)

(**) Term: **15 Years**

(21) Appl. No.: **29/544,154**

(22) Filed: **Oct. 30, 2015**

(51) **LOC (12) Cl.** **26-02**

(52) **U.S. Cl.**
USPC **D26/49**

(58) **Field of Classification Search**
USPC D26/37, 38, 44, 42, 43, 46, 48, 49, 51
CPC F21L 2003/00; F21L 4/00; F21L 4/005;
F21L 4/02; F21L 4/025; F21L 4/027;
F21L 4/04; F21L 4/08; F21L 2005/00;
F21L 7/00; F21L 11/00; F21L 13/00;
F21L 13/04; F21L 13/08; F21L 14/02;
F21L 17/00; F21L 19/00
See application file for complete search history.

(56) **References Cited**

U.S. PATENT DOCUMENTS

D197,082 S 12/1963 Oakley et al.
D430,323 S 8/2000 Yuen
(Continued)

OTHER PUBLICATIONS

U.S. Appl. No. 29/500,242, filed Aug. 2014, Green.
(Continued)

Primary Examiner — Lakiya Rogers
Assistant Examiner — Carissa C Fitts

(74) *Attorney, Agent, or Firm* — Greenberg Traurig, LLP

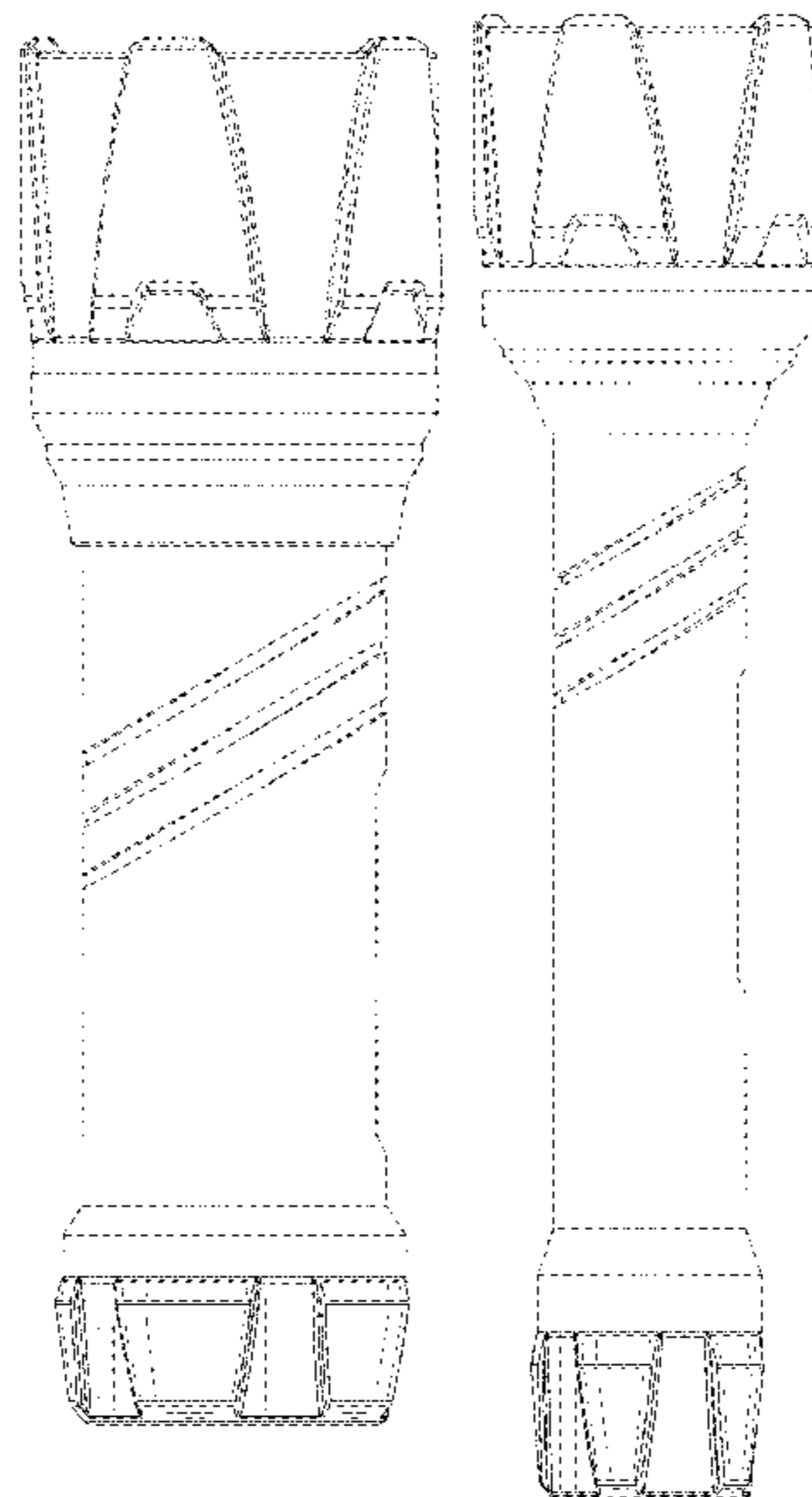
(57) **CLAIM**

The ornamental design for a flashlight, as shown and described.

DESCRIPTION

FIG. 1 is a front view of a first embodiment of our design; FIG. 2 is a back view thereof; FIG. 3 is a left side view thereof; FIG. 4 is a right side view thereof; FIG. 5 is a bottom view thereof; FIG. 6 is a front view of a second embodiment of our design; FIG. 7 is a back view thereof; FIG. 8 is a left side view thereof; FIG. 9 is a right side view thereof; FIG. 10 is a bottom view thereof; FIG. 11 is a front view of a third embodiment of our design; FIG. 12 is a back view thereof; FIG. 13 is a left side view thereof; FIG. 14 is a right side view thereof; FIG. 15 is a bottom view thereof; FIG. 16 is a front view of a fourth embodiment of our design; FIG. 17 is a back view thereof; FIG. 18 is a left side view thereof; FIG. 19 is a right side view thereof; FIG. 20 is a bottom view thereof; FIG. 21 is a front view of a fifth embodiment of our design; FIG. 22 is a back view thereof; FIG. 23 is a left side view thereof; FIG. 24 is a right side view thereof; and, FIG. 25 is a bottom view thereof.
The dashed lines in the figures form no part of the claimed design.

1 Claim, 15 Drawing Sheets



(56)

References Cited

U.S. PATENT DOCUMENTS

D481,482 S * 10/2003 Mah D26/37
 D486,937 S * 2/2004 Shiu D26/49
 D496,115 S * 9/2004 Lin D26/49
 D506,559 S * 6/2005 Chen D26/37
 D527,476 S 8/2006 Craft
 D565,769 S 4/2008 Shiu
 D566,314 S * 4/2008 Jen D26/49
 D566,315 S * 4/2008 Shiu D26/49
 D574,982 S 8/2008 Lau
 D574,984 S 8/2008 Hesse
 D579,135 S 10/2008 Shiu
 D579,594 S 10/2008 Hesse
 D589,635 S 3/2009 Rugendyke et al.
 D590,972 S * 4/2009 Palmer D26/49
 D604,437 S 11/2009 Yang
 D608,033 S 1/2010 Hesse
 D608,034 S 1/2010 Hesse
 D610,727 S 2/2010 Nyssen
 D617,022 S 6/2010 Kung
 D619,743 S 7/2010 Liu
 D623,323 S * 9/2010 Kung D26/45
 D625,865 S 10/2010 Poon
 D629,544 S 12/2010 Deguglimo
 D629,938 S 12/2010 Yuen
 D640,400 S 6/2011 Huang
 D645,592 S 9/2011 Brands
 D656,261 S 3/2012 Lee
 D659,270 S 5/2012 Nguyen
 D659,272 S 5/2012 Nguyen
 D671,249 S 11/2012 Sheikh
 D709,231 S * 7/2014 Nguyen D26/49

D710,526 S 8/2014 Lee
 D713,078 S 9/2014 Shen
 D733,951 S * 7/2015 Kent D26/39
 D734,519 S * 7/2015 Shen D26/49
 D740,988 S 10/2015 Robinson et al.
 D745,200 S * 12/2015 Inskeep D26/49
 D745,987 S * 12/2015 Nawaz D22/117
 D748,837 S * 2/2016 Cacciabeve D26/49
 D750,305 S * 2/2016 Sheikh D26/38
 D752,263 S 3/2016 Keeley et al.
 D757,319 S 5/2016 Green
 D767,188 S 9/2016 Jigamian
 D769,495 S 10/2016 Bertken
 D769,496 S 10/2016 Inskeep

OTHER PUBLICATIONS

U.S. Appl. No. 29/500,257, filed Aug. 2014, Green.
 U.S. Appl. No. 29/544,142, filed Oct. 2015, Green et al.
 U.S. Appl. No. 29/544,146, filed Oct. 2015, Green et al.
 U.S. Appl. No. 29/544,147, filed Oct. 2015, Green et al.
 Images of Rayovac Indestructible 2 AA Flashlight, DIY2AA-B, publicly available prior to Aug. 22, 2014.
 Office Action received in Chinese Counterpart Application 201630153665.6 dated Aug. 12, 2016 (3 pages).
 Office Action received in Chinese Counterpart Application 2016301453657.1 dated Aug. 12, 2016 (3 pages).
 Office action received in related U.S. Appl. No. 29/544,147 dated Mar. 24, 2017, nine pages.
 Office Action received in related U.S. Appl. No. 29/544,147, dated Aug. 16, 2017, 10 pgs.

* cited by examiner

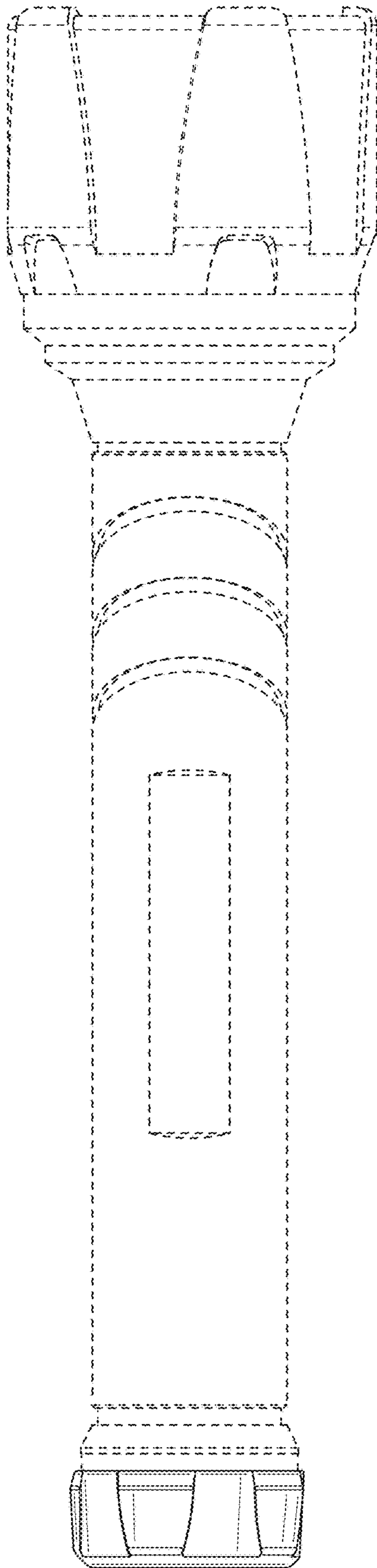


FIG. 1

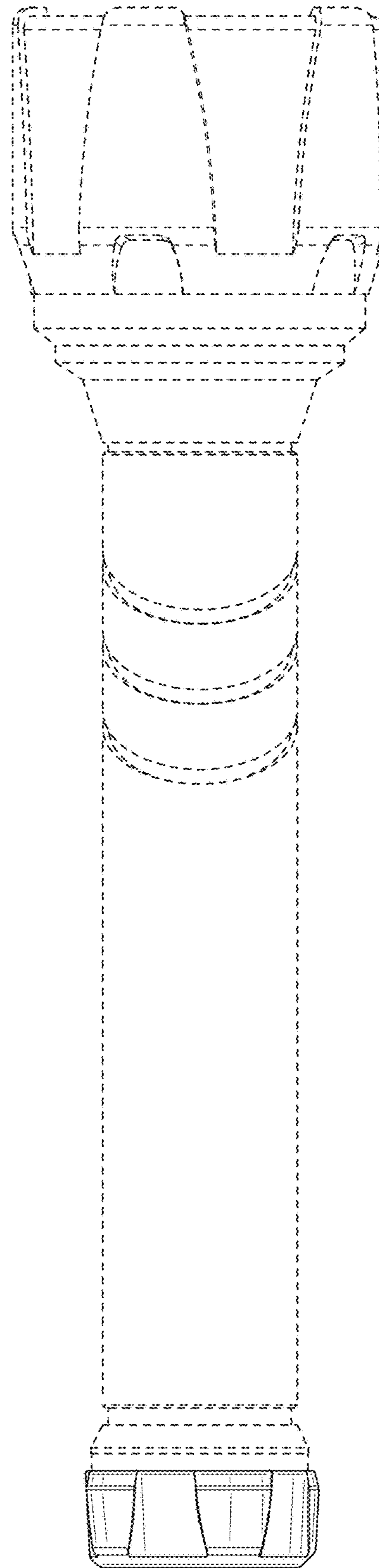


FIG. 2

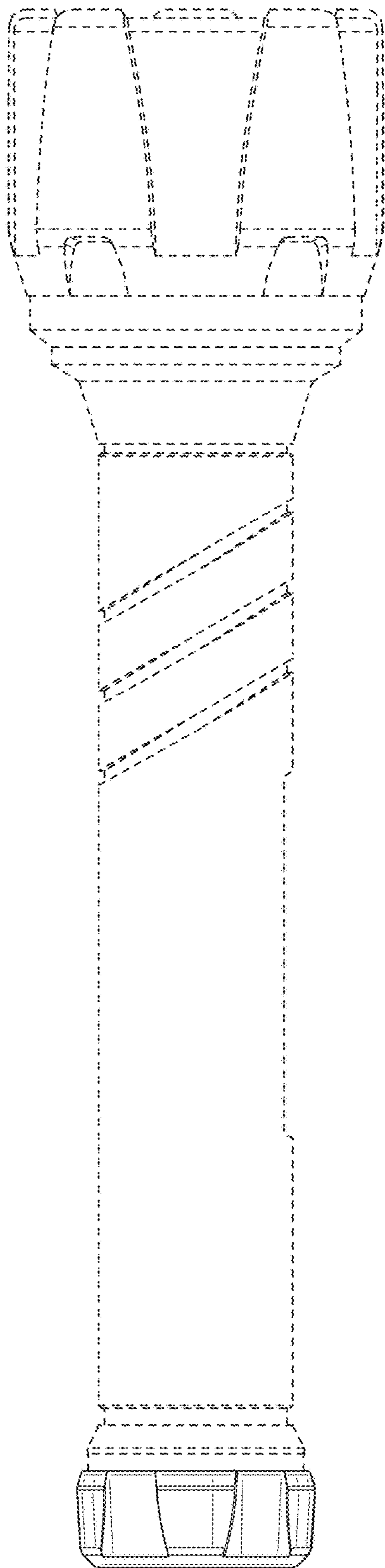


FIG. 3

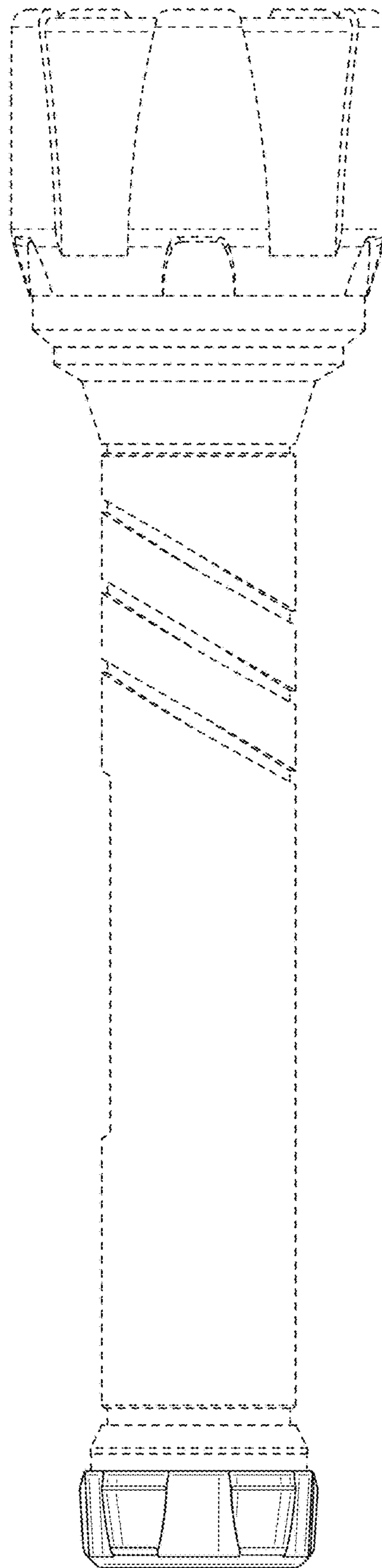


FIG. 4

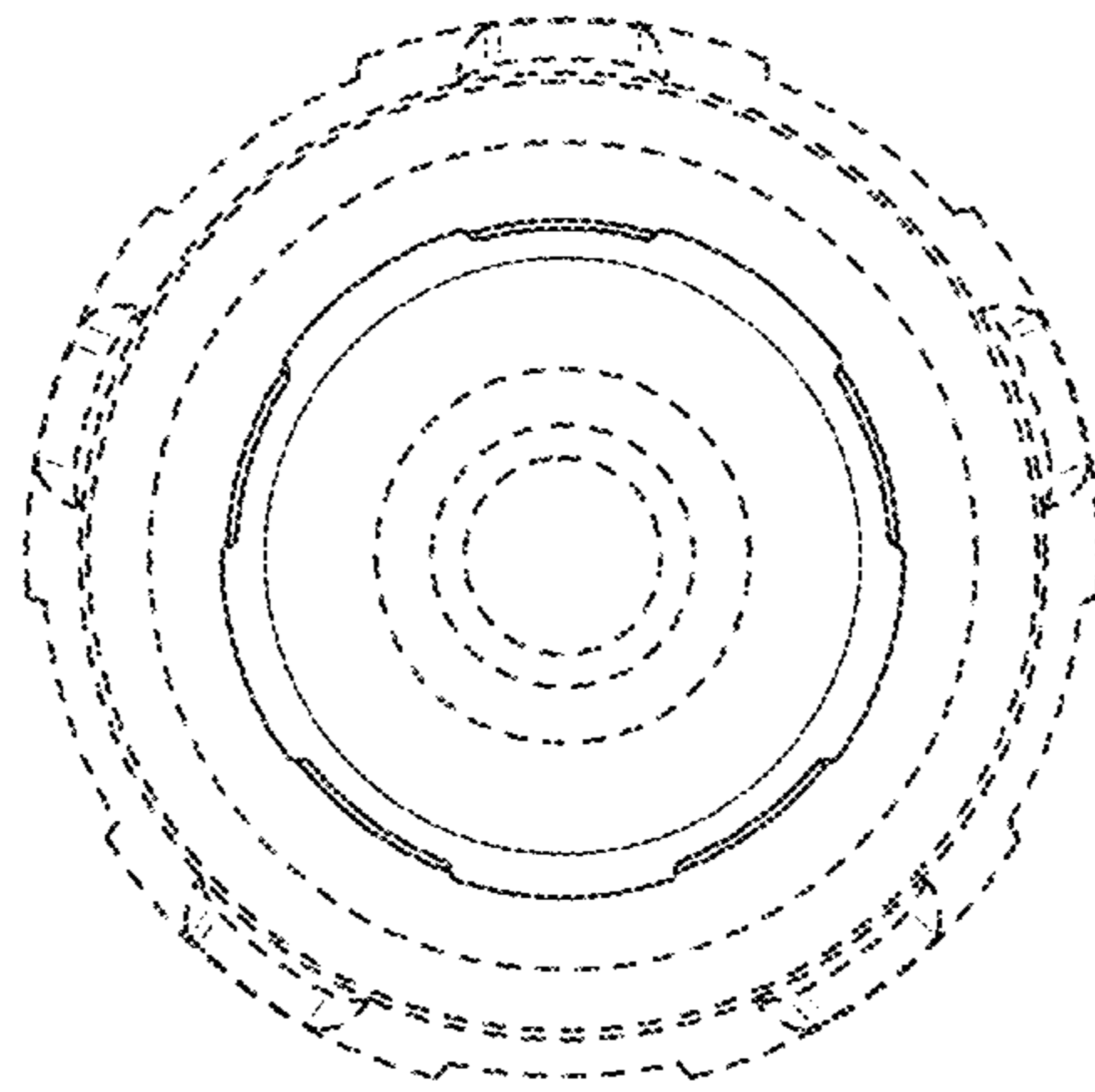


FIG. 5

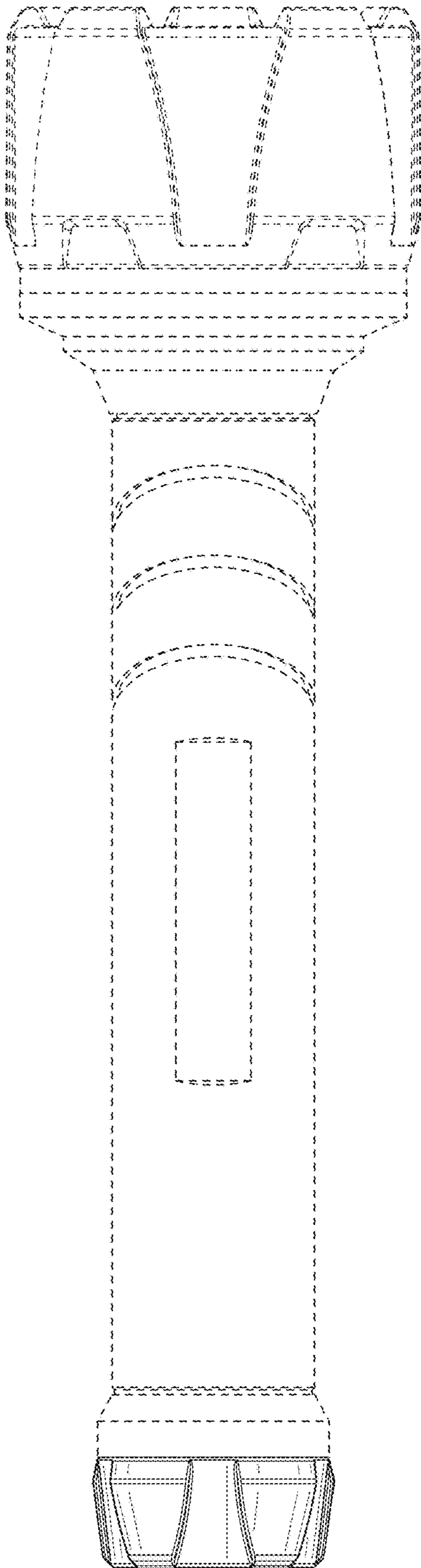


FIG. 6

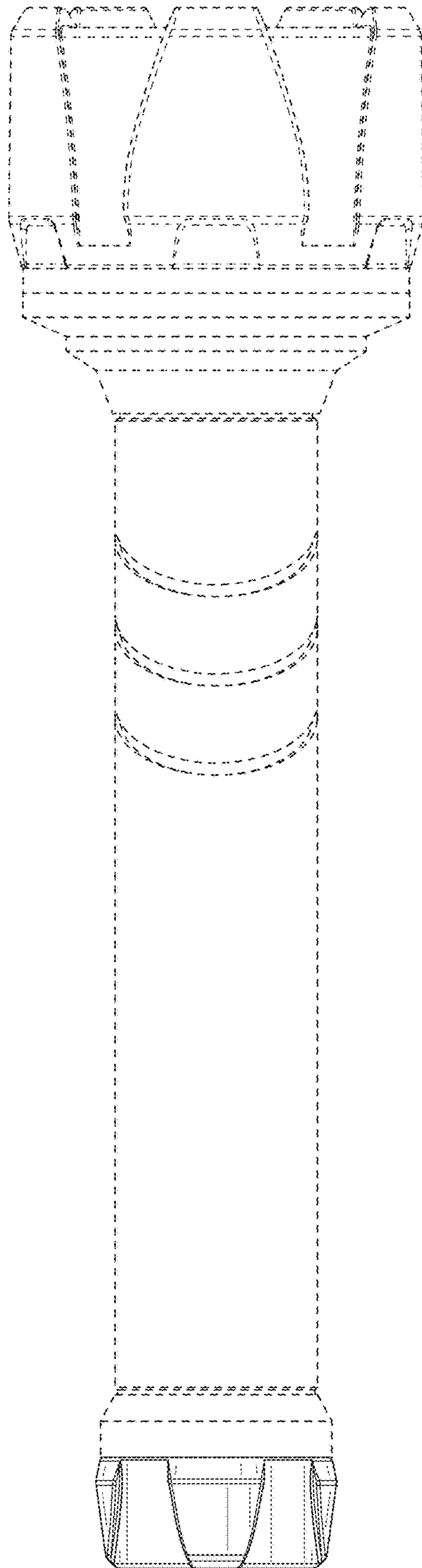


FIG. 7

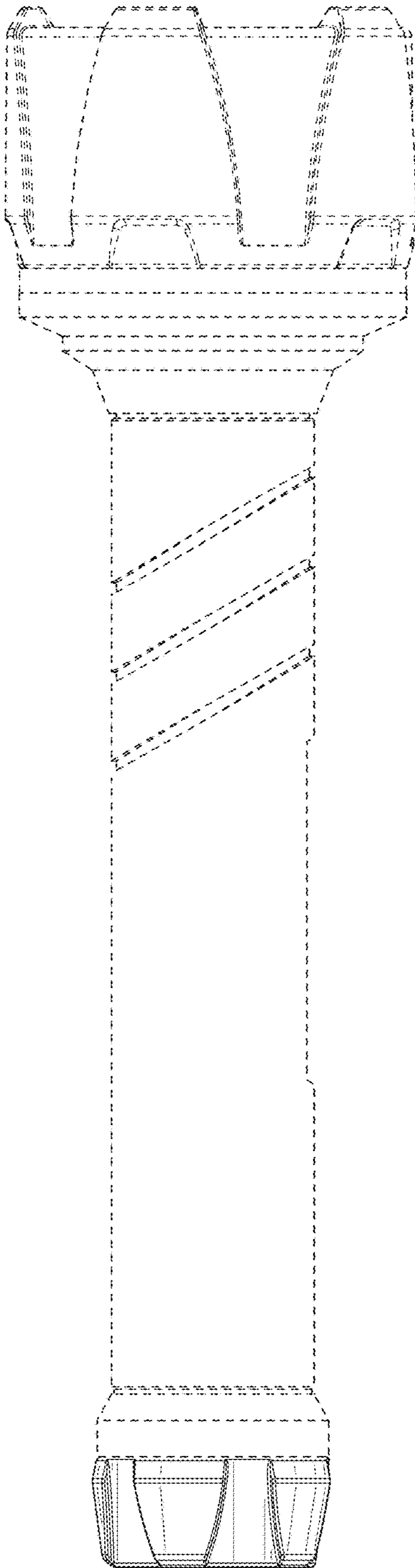


FIG. 8

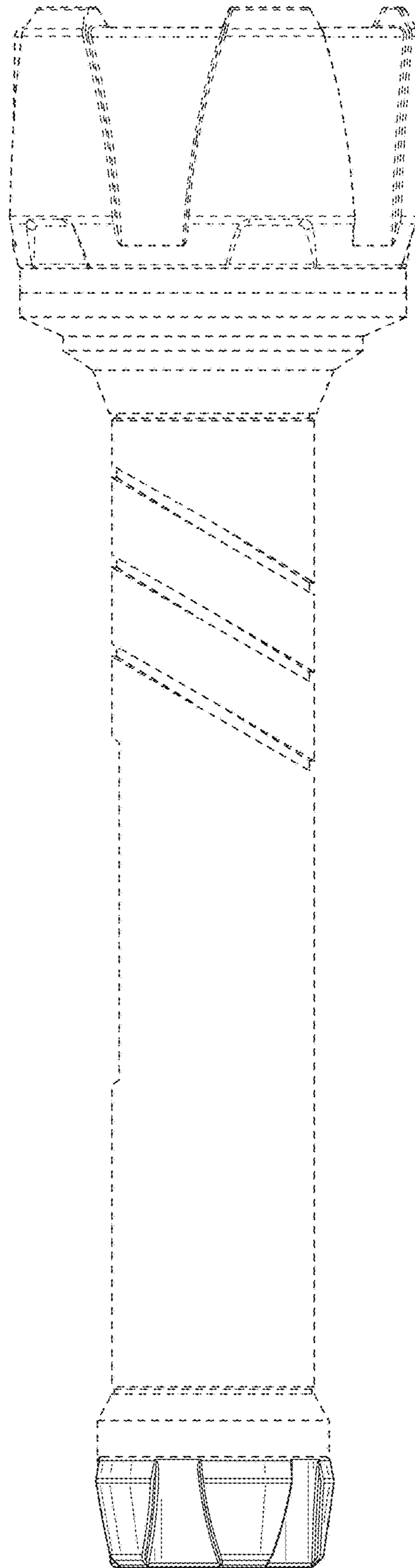


FIG. 9

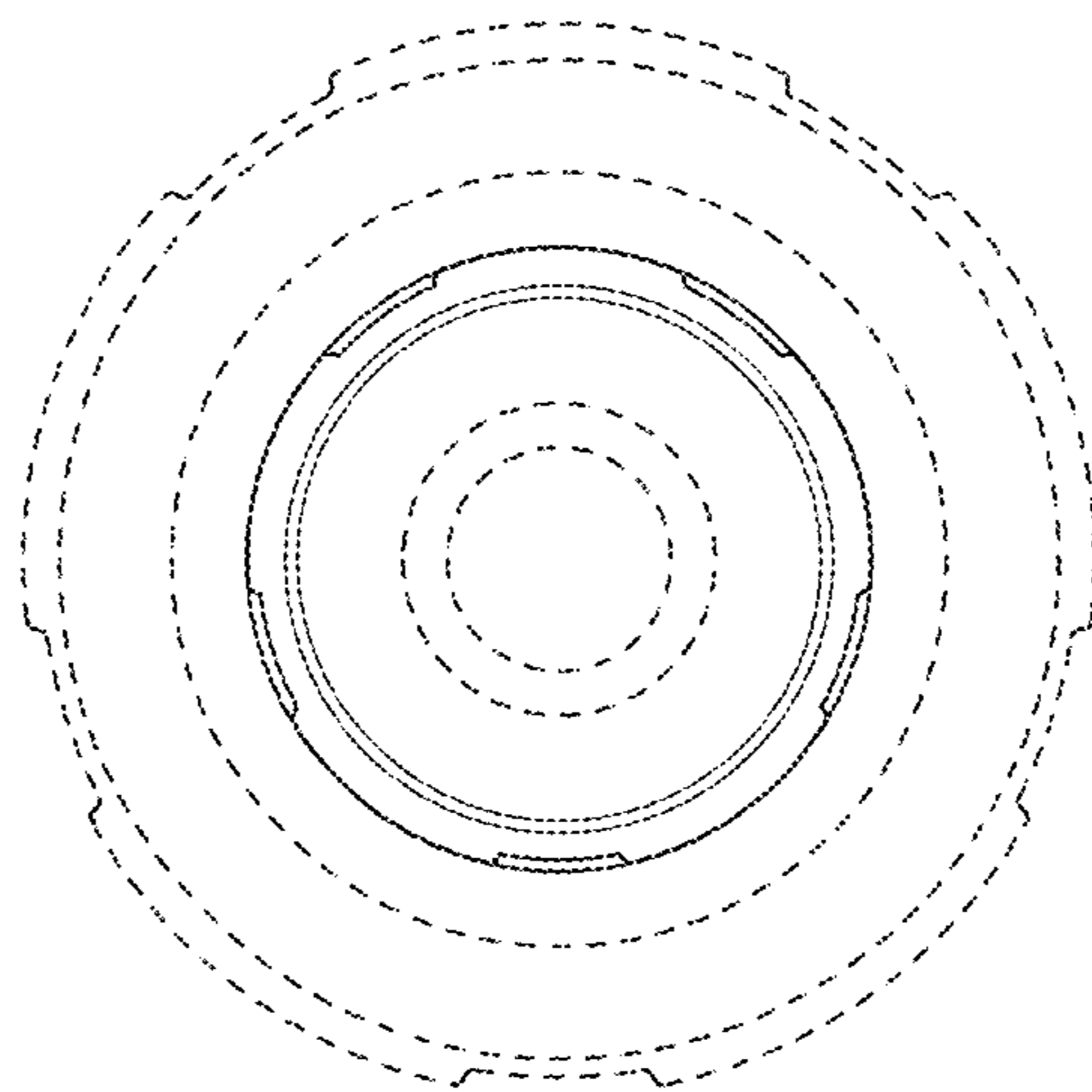


FIG. 10

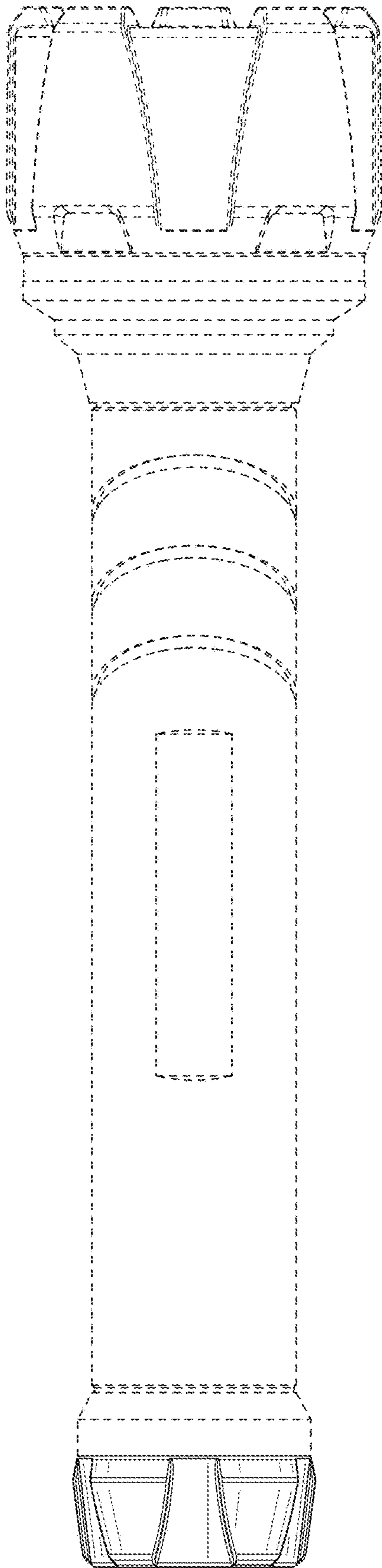


FIG. 11

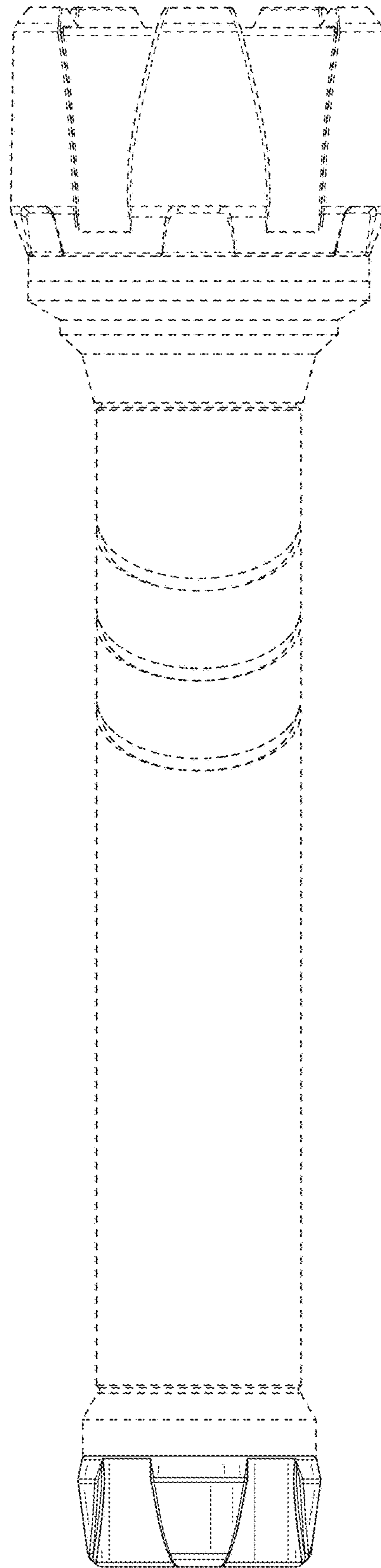


FIG. 12

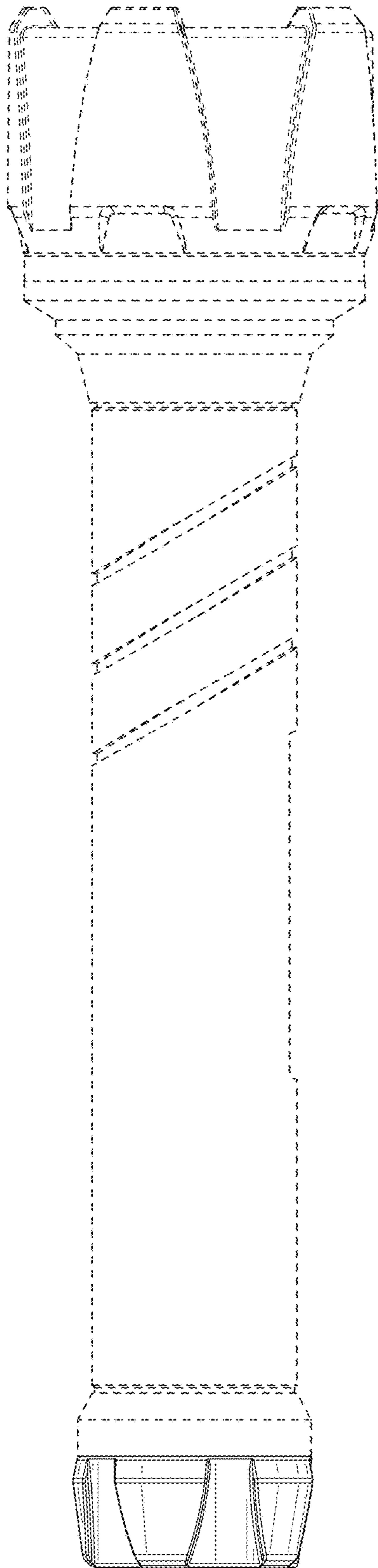


FIG. 13

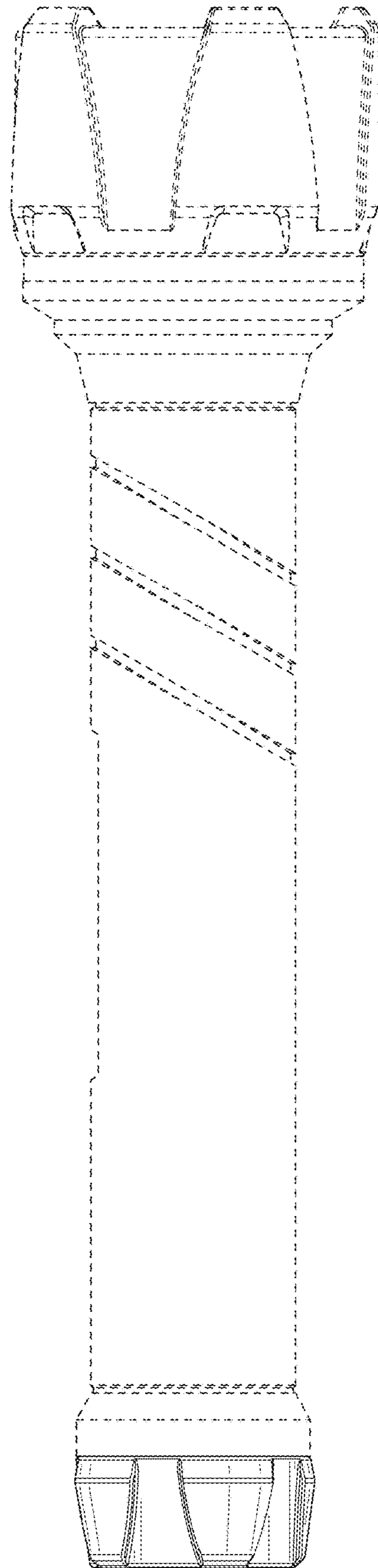


FIG. 14

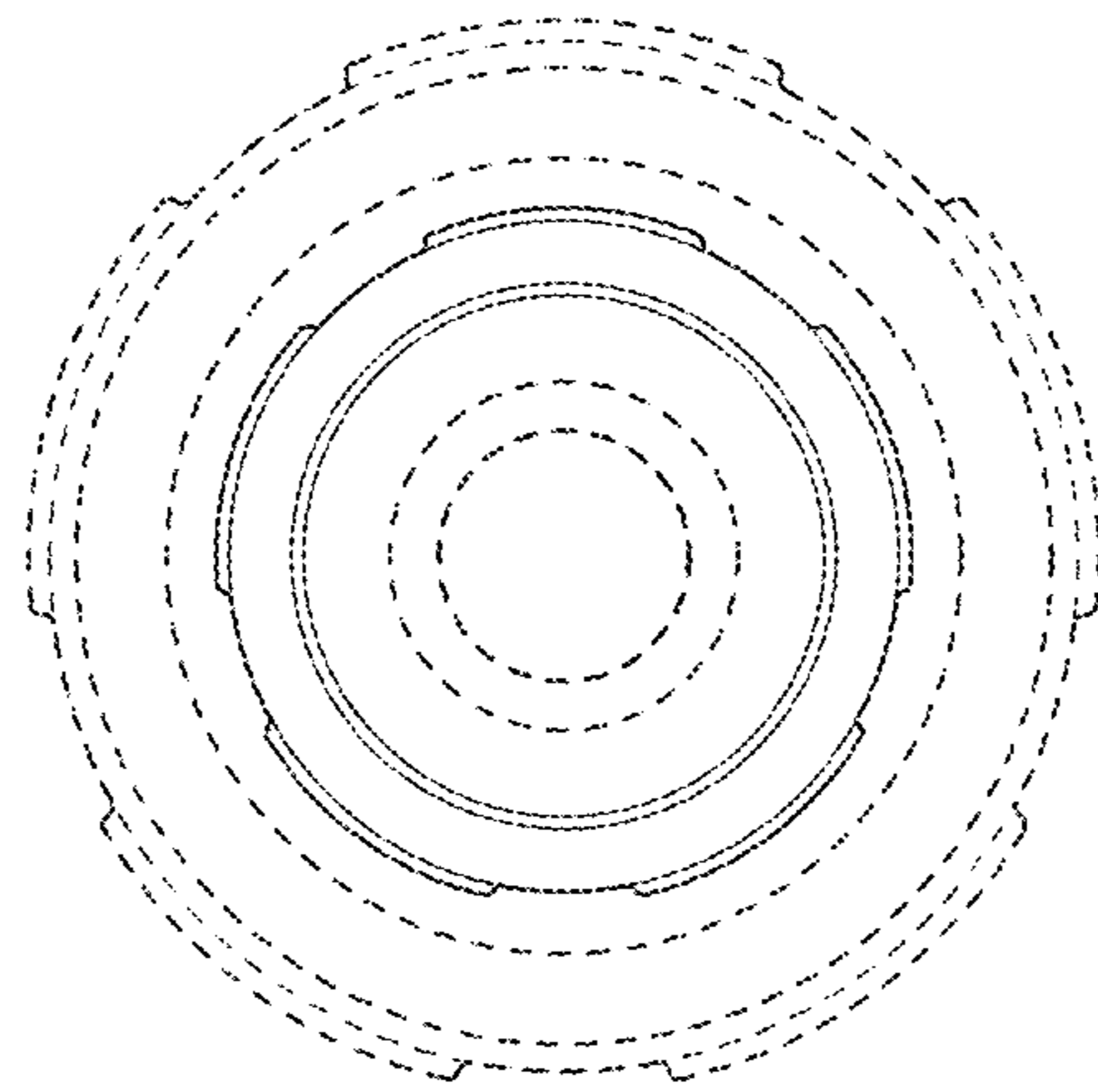


FIG. 15

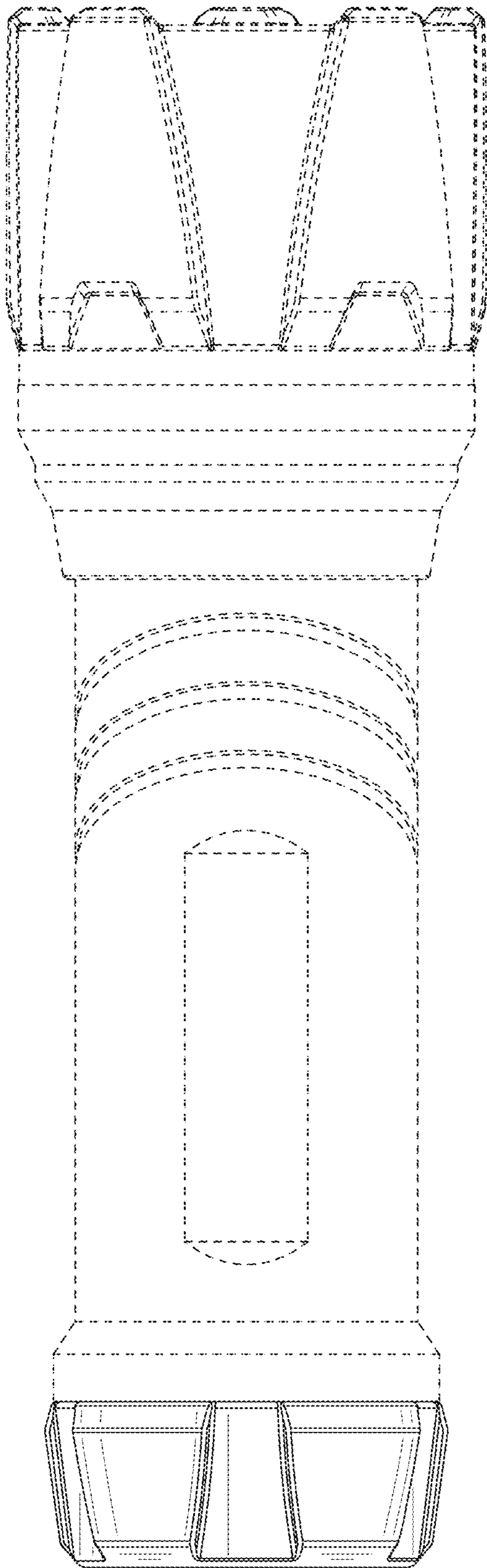


FIG. 16

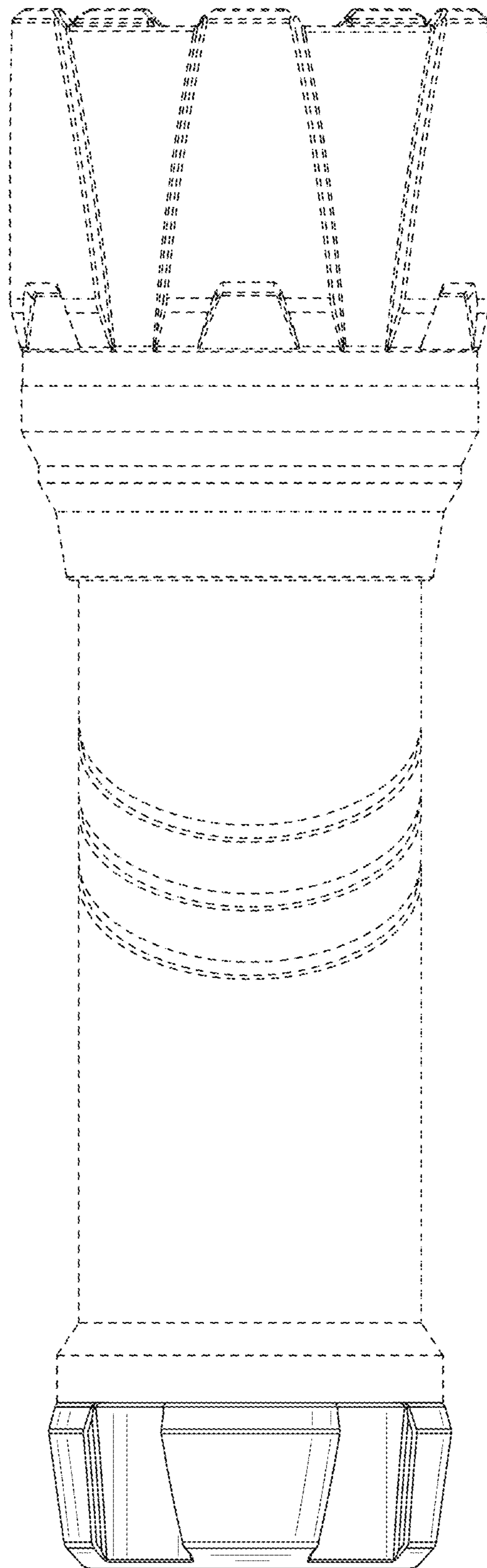


FIG. 17

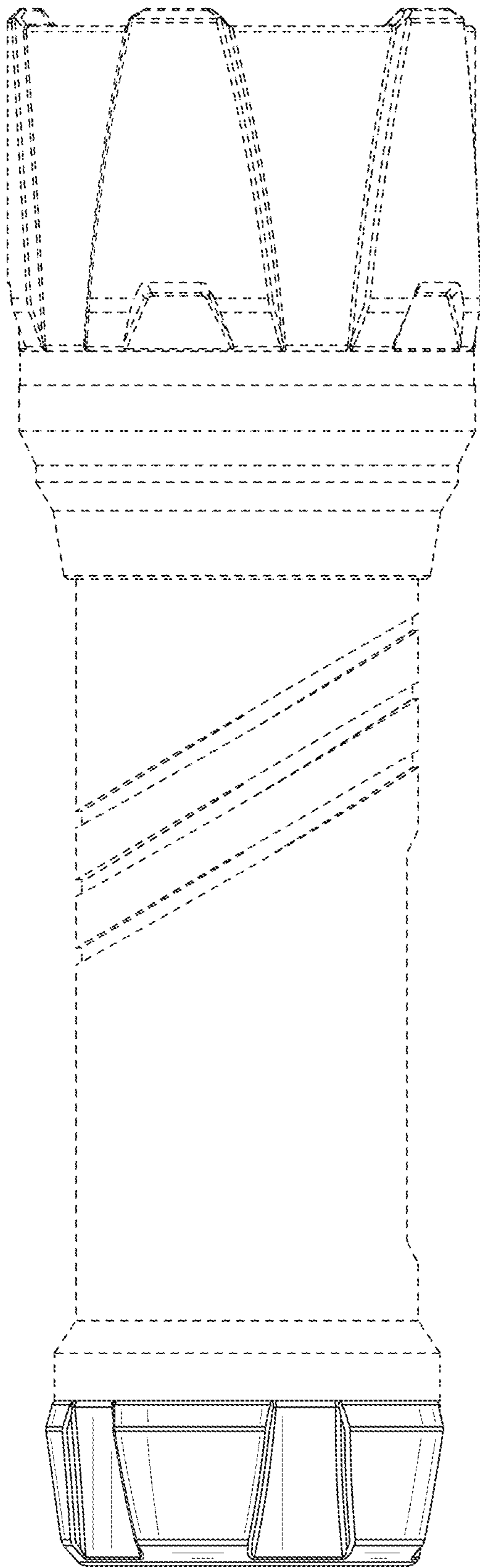


FIG. 18

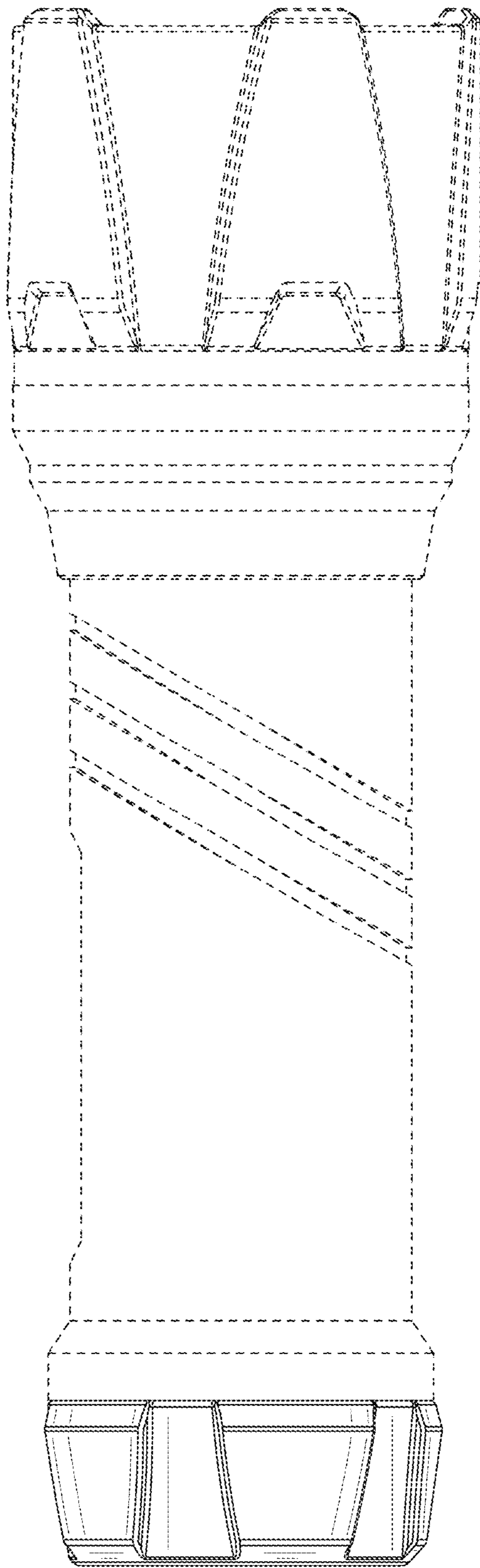


FIG. 19

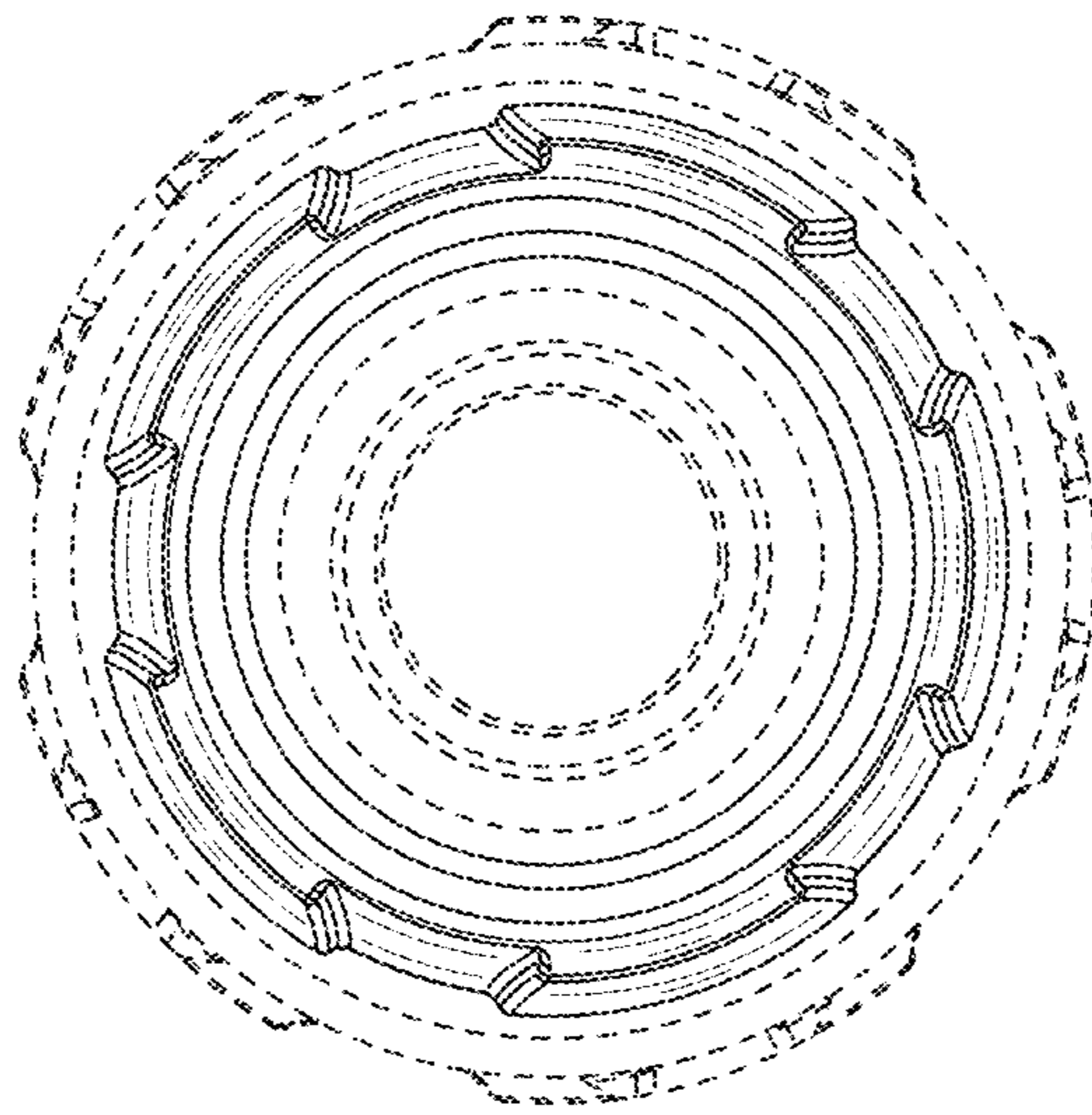


FIG. 20

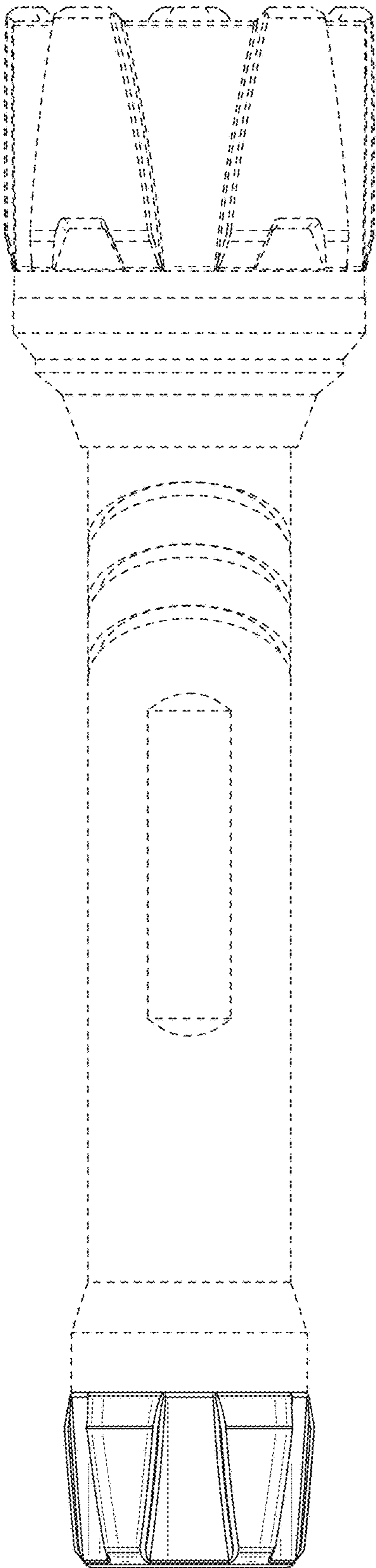


FIG. 21

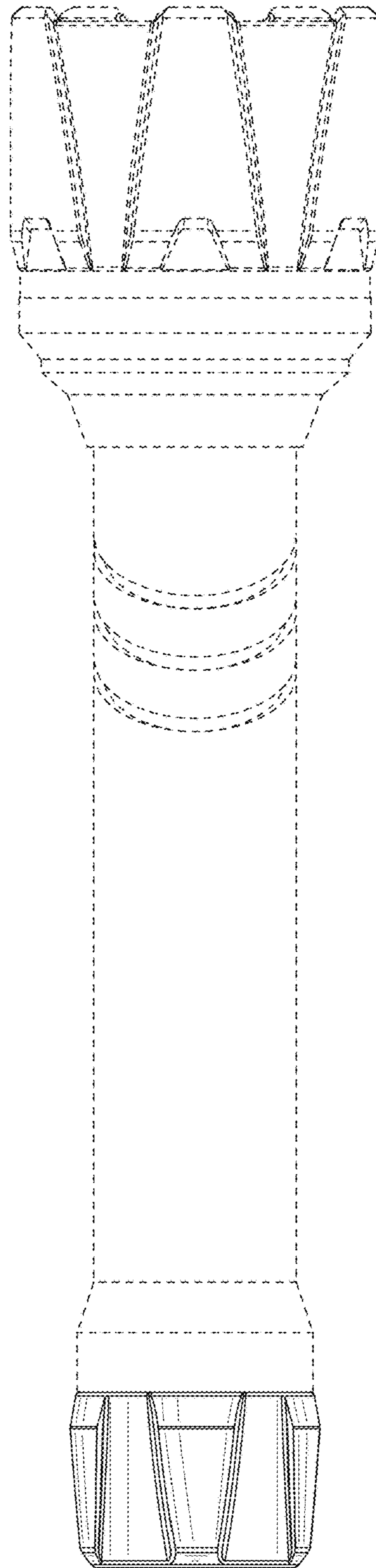


FIG. 22

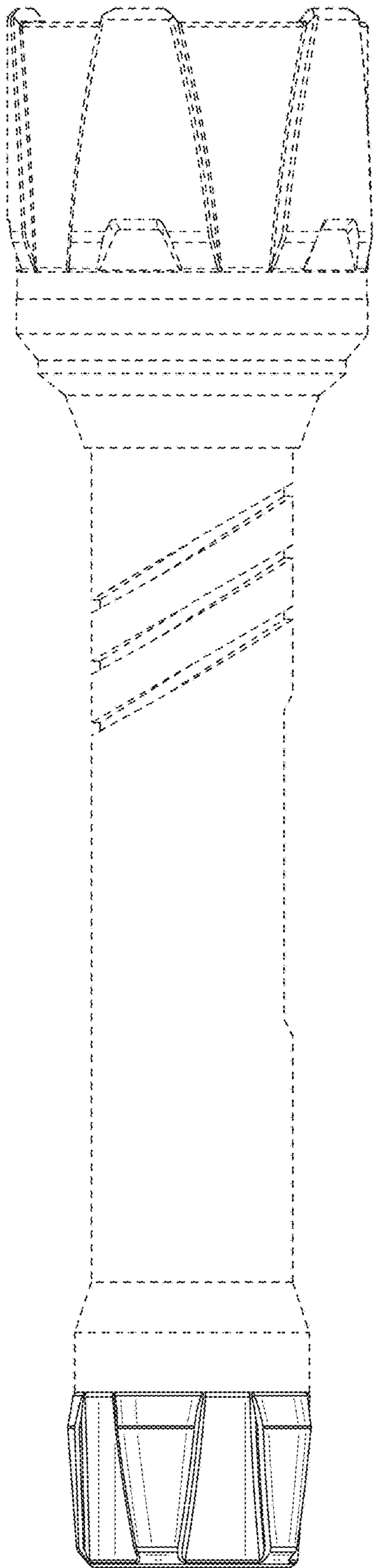


FIG. 23

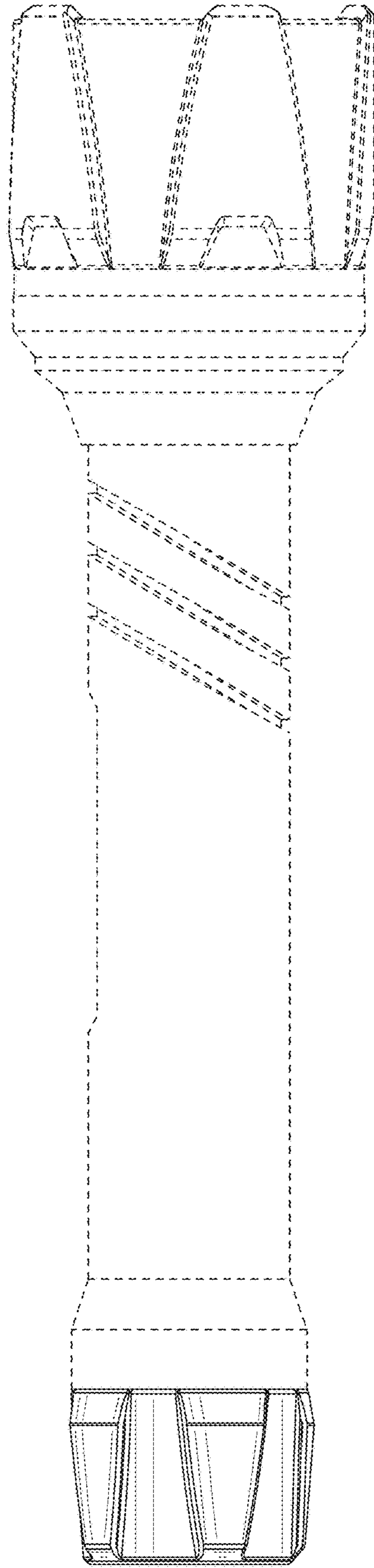


FIG. 24

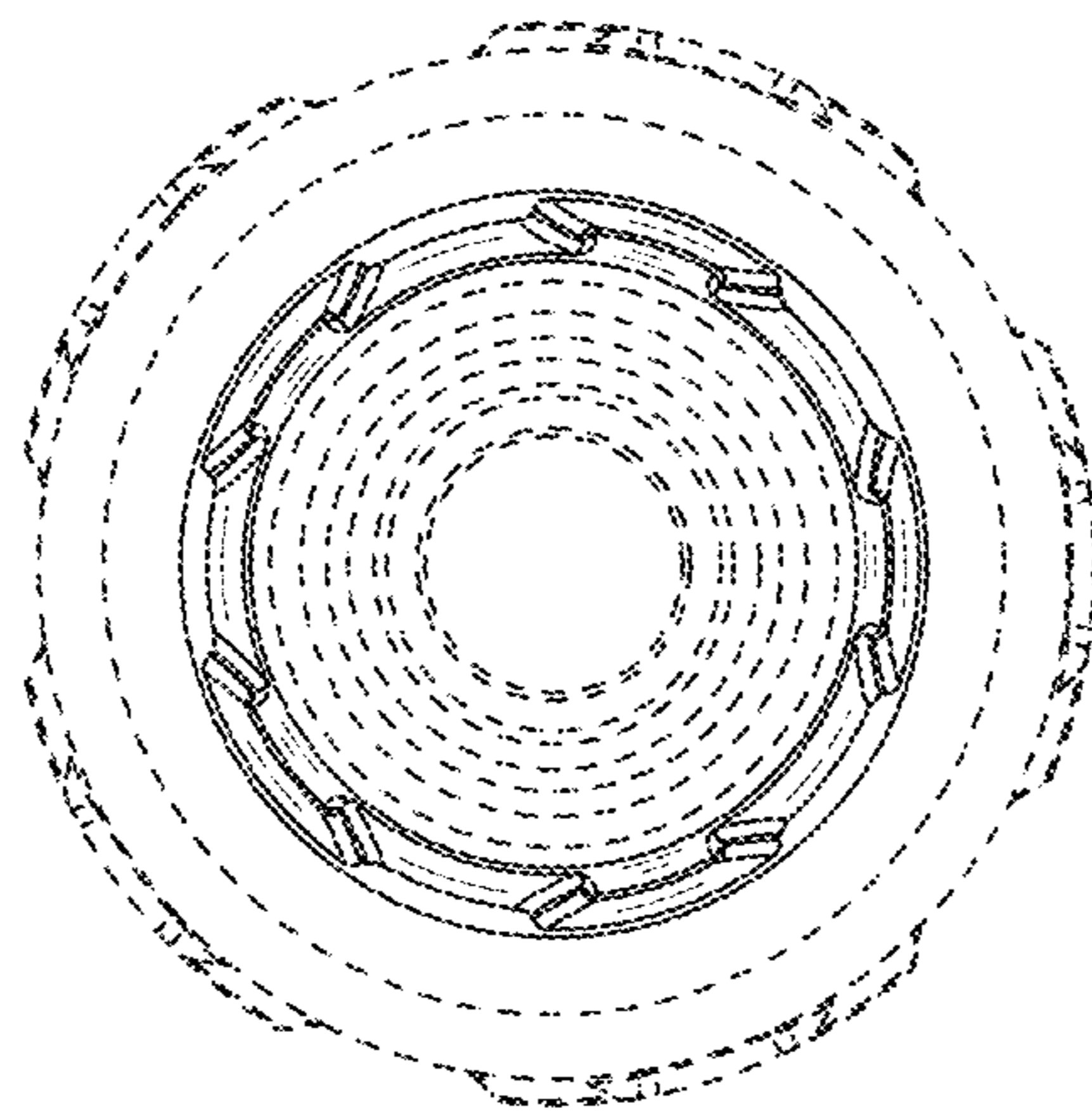


FIG. 25