



US00D870336S

(12) **United States Design Patent** (10) **Patent No.:** **US D870,336 S**  
**Shim et al.** (45) **Date of Patent:** **\*\* Dec. 17, 2019**

(54) <b>HEADLIGHT FOR CARS</b>	D819,848 S * 6/2018 Lin ..... D26/28
	D819,849 S * 6/2018 Lin ..... D26/28
(71) Applicants: <b>HYUNDAI MOTOR COMPANY,</b> Seoul (KR); <b>KIA MOTORS</b> <b>CORPORATION,</b> Seoul (KR)	D819,854 S * 6/2018 Lai ..... D26/28
	D827,884 S * 9/2018 Hannemann ..... D26/28
(72) Inventors: <b>Joon-Bo Shim,</b> Anyang-si (KR); <b>Seung-Yeon Lee,</b> Gwacheon-si (KR)	D843,034 S * 3/2019 Kim ..... D26/28
	D846,777 S * 4/2019 Hwang ..... D26/28
	D851,299 S * 6/2019 Woodhouse ..... D26/28
	D851,300 S * 6/2019 Lin ..... D26/28
	D852,995 S * 7/2019 Suzuki ..... D26/28
	D853,607 S * 7/2019 Allmendinger ..... D26/28

(\*\*) Term: **15 Years**

(21) Appl. No.: **35/506,017**

(22) Filed: **Sep. 14, 2018**

(80) **Hague Agreement Data**

Int. Filing Date: **Sep. 14, 2018**  
 Int. Reg. No.: **DM/103443**  
 Int. Reg. Date: **Sep. 14, 2018**  
 Int. Reg. Pub. Date: **Nov. 9, 2018**

(30) **Foreign Application Priority Data**

Apr. 16, 2018 (KR) ..... 3020180017656

(51) **LOC (12) Cl.** ..... **26-06**

(52) **U.S. Cl.**  
USPC ..... **D26/36**

(58) **Field of Classification Search**  
 USPC ..... D12/196; D26/28, 35, 36; D21/433  
 CPC .. F21S 41/00; F21S 41/20; F21S 41/30; F21S  
 43/14; F21S 43/15; F21S 43/20  
 See application file for complete search history.

(56) **References Cited**

U.S. PATENT DOCUMENTS

D758,626 S \* 6/2016 Sperling ..... D26/28  
 D774,222 S \* 12/2016 Lim ..... D26/28  
 D783,189 S \* 4/2017 Nishii ..... D26/28  
 D818,164 S \* 5/2018 Ha ..... D26/28

OTHER PUBLICATIONS

Screenshot excerpt dated Jan. 4, 2018 from newcartestdrive.com. Found online Aug. 2, 2019 at <https://www.newcartestdrive.com/reviews/2018-hyundai-tucson/>. (Year: 2018).\*

\* cited by examiner

*Primary Examiner* — Robert M. Spear

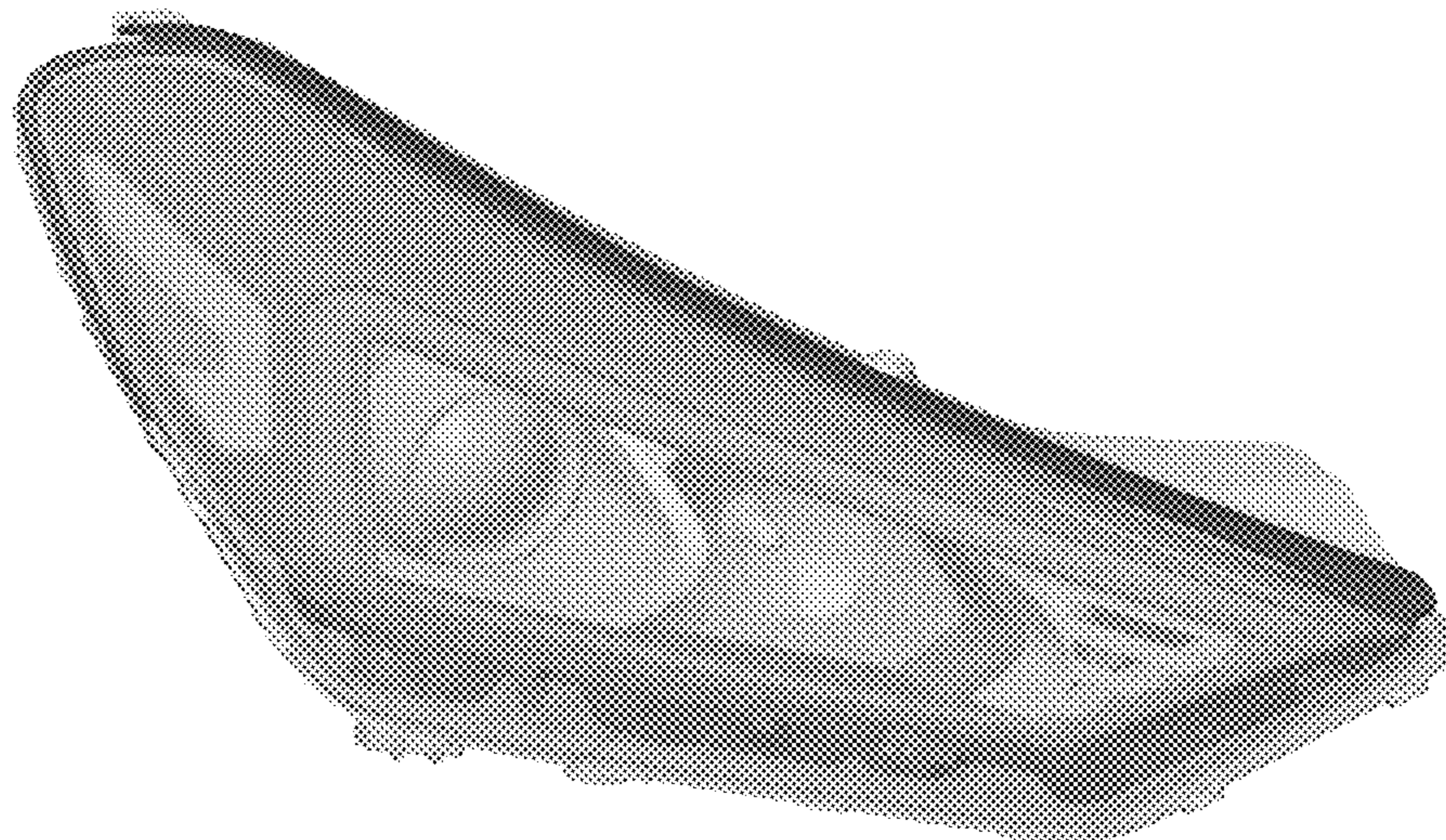
(57) **CLAIM**

The ornamental design for headlight for cars, as shown and described.

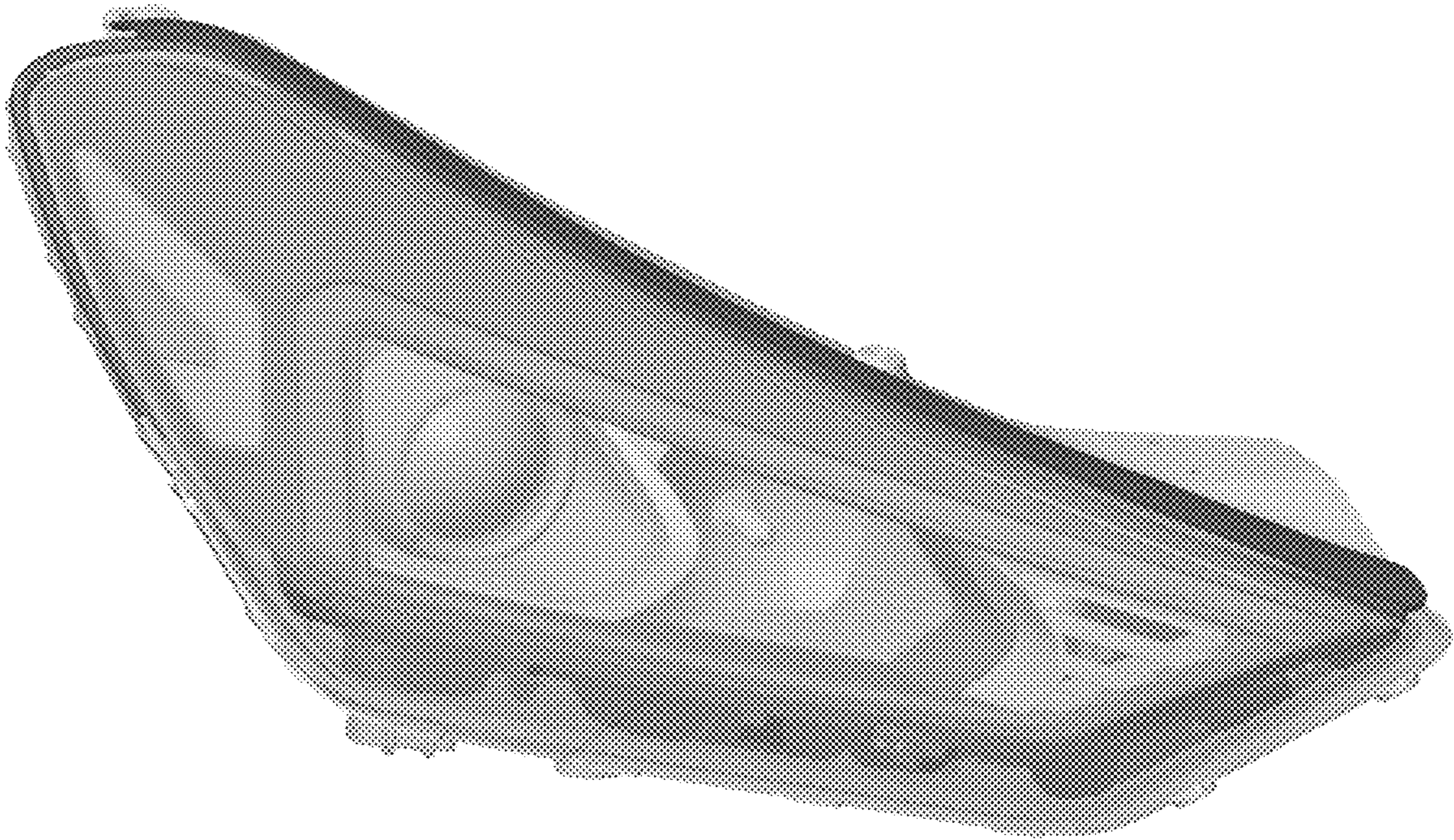
**DESCRIPTION**

1. Headlight for cars  
 1.1 : Perspective  
 1.2 : Front  
 1.3 : Back  
 1.4 : Left  
 1.5 : Right  
 1.6 : Top  
 1.7 : Bottom  
 1.1 is a perspective view of a headlight for cars showing our new design; 1.2 is a front elevation view thereof; 1.3 is a rear elevation view thereof; 1.4 is a left side elevation view thereof; 1.5 is a right side elevation view thereof; 1.6 is a top plan view thereof; and 1.7 is a bottom plan view thereof.

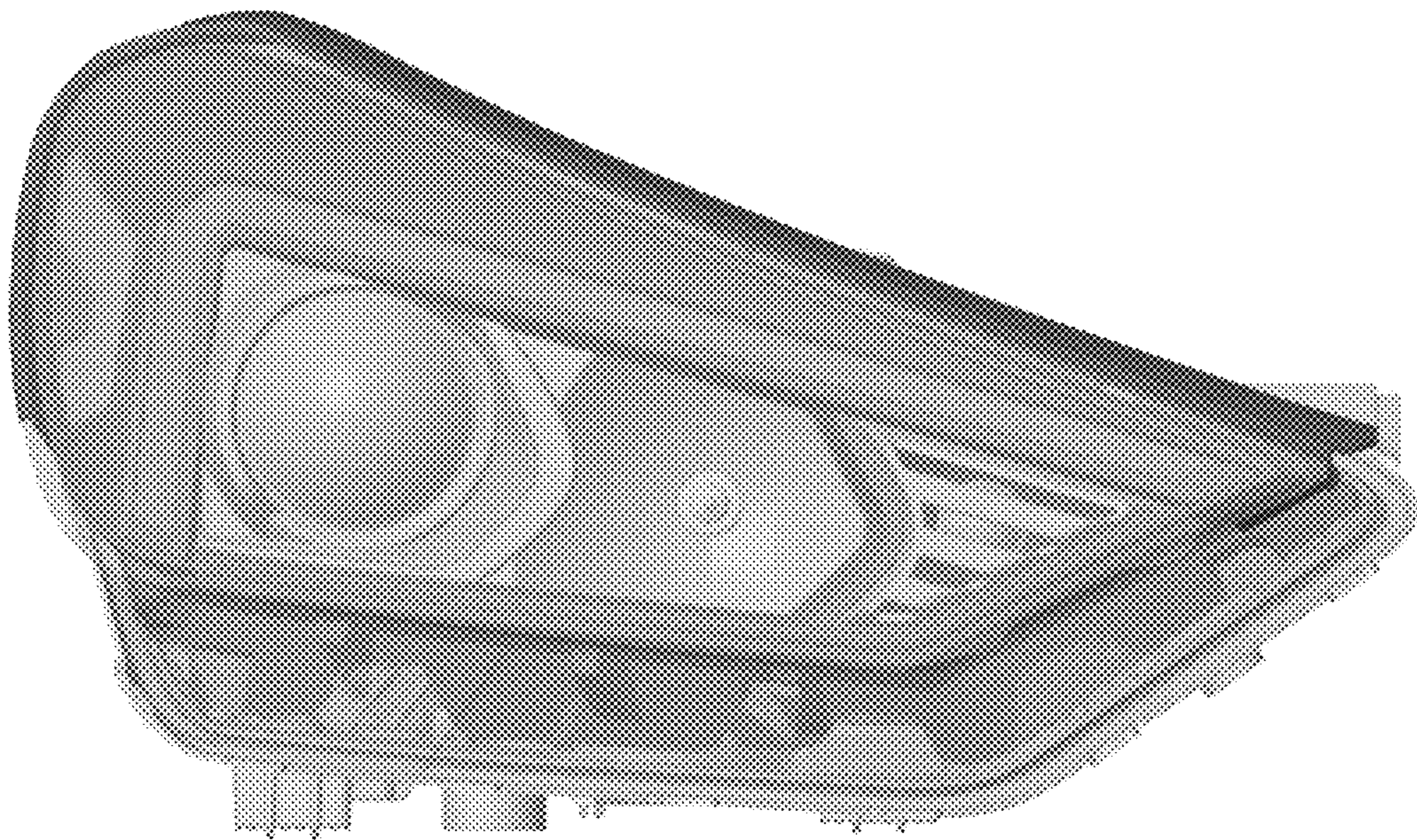
**1 Claim, 7 Drawing Sheets**



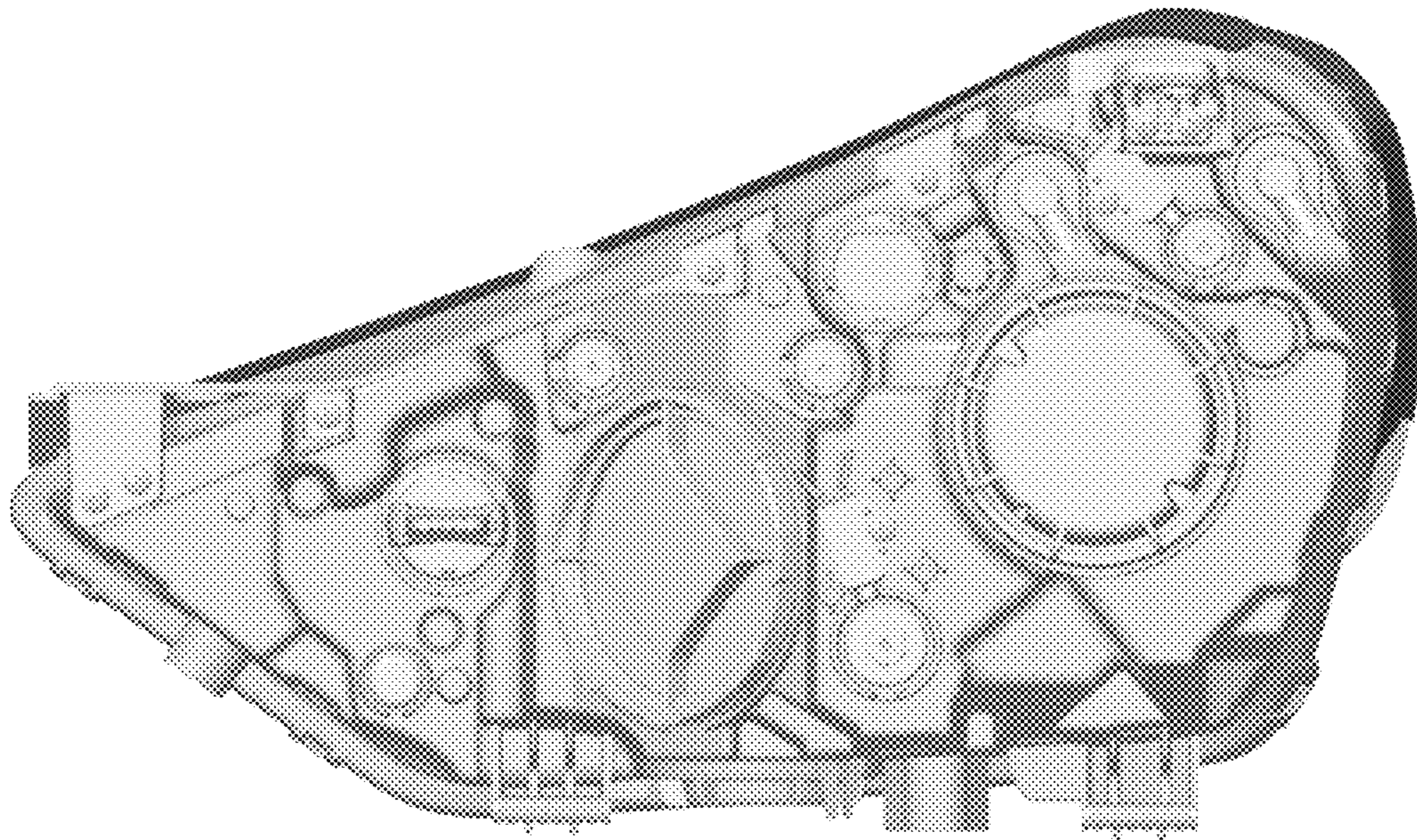
1.1



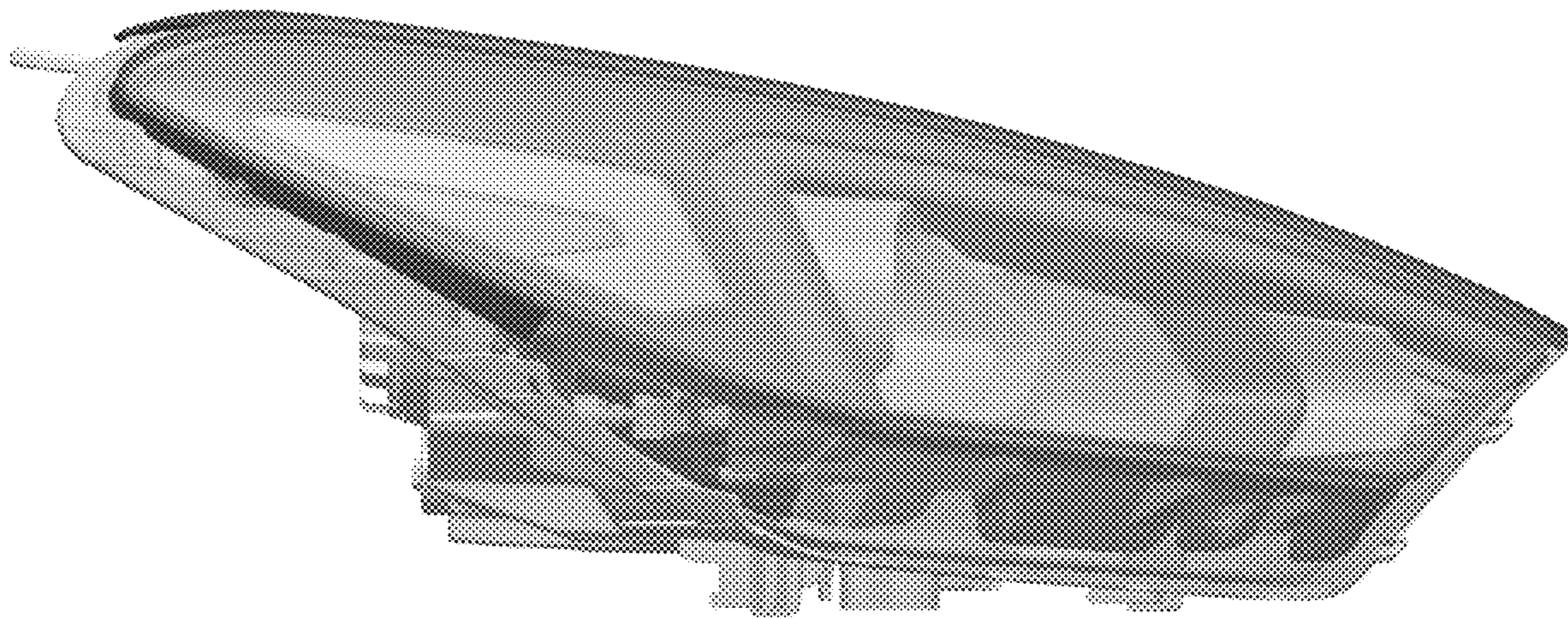
1.2



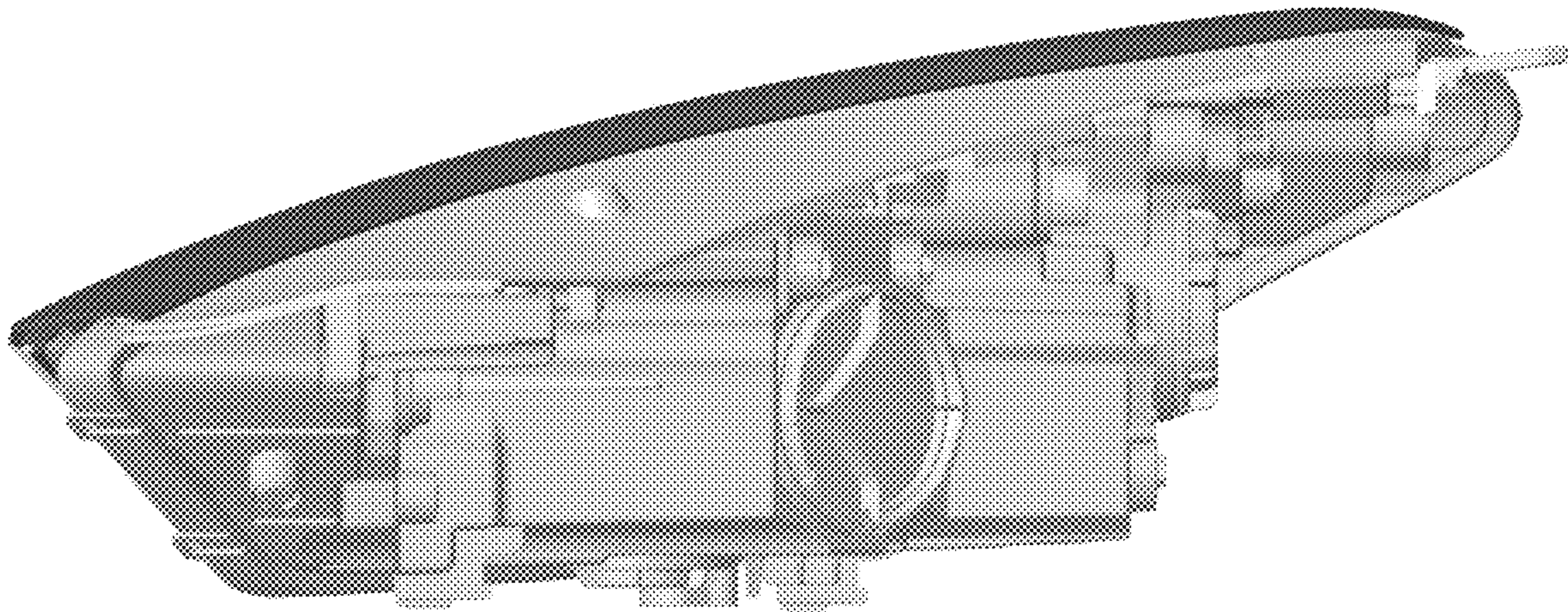
1.3



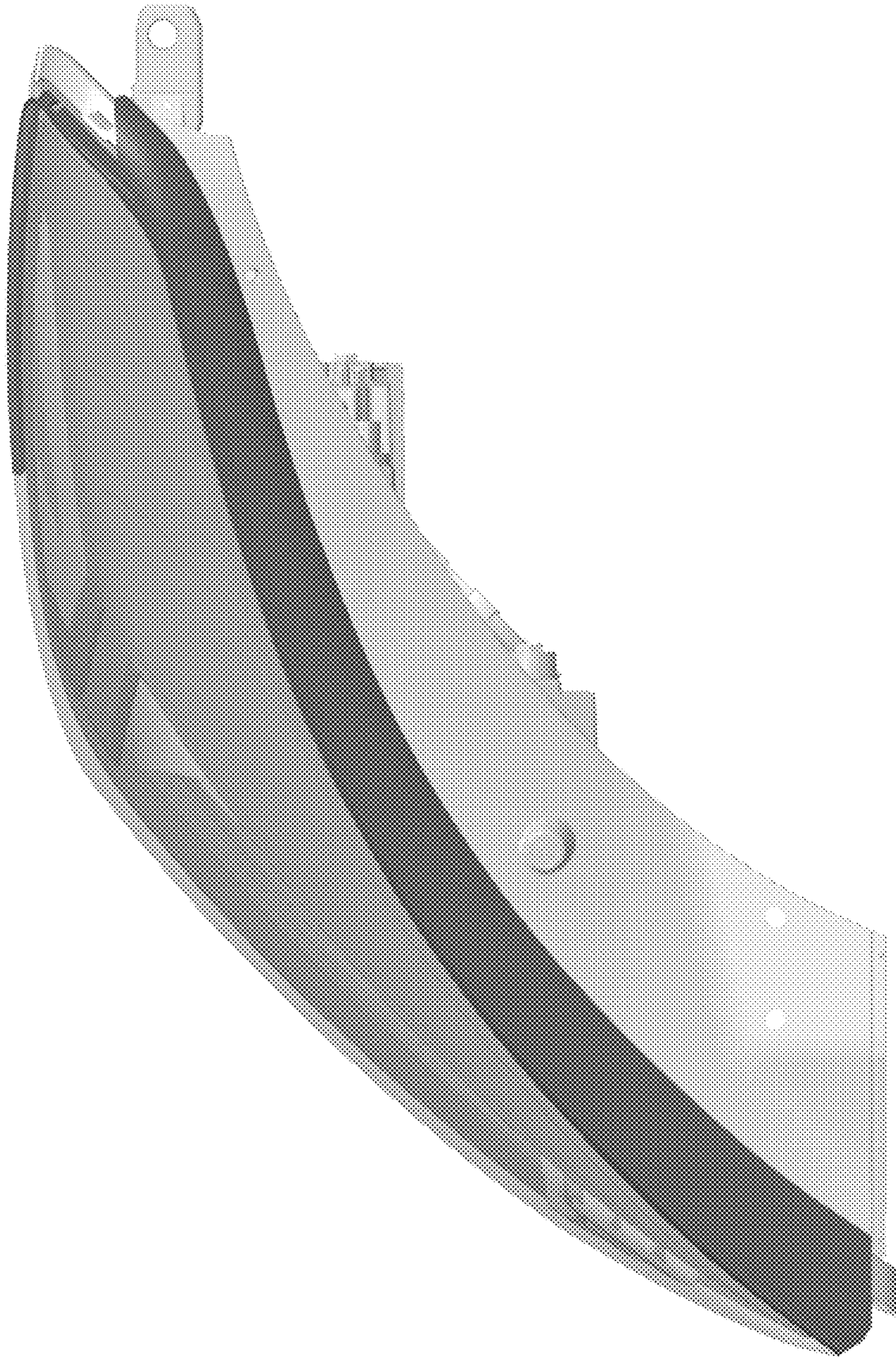
1.4



1.5



1.6



1.7

