



US00D870335S

(12) **United States Design Patent** (10) **Patent No.:** **US D870,335 S**
Choi et al. (45) **Date of Patent:** **** Dec. 17, 2019**

(54) **REAR COMBINATION LAMP FOR VEHICLES**

(71) Applicants: **HYUNDAI MOTOR COMPANY**, Seoul (KR); **KIA MOTORS CORPORATION**, Seoul (KR)

(72) Inventors: **Chang-Hoon Choi**, Hwaseong-si (KR); **Tae-Hoon Kim**, Seoul (KR)

(73) Assignees: **Hyundai Motor Company**, Seoul (KR); **Kia Motors Corporation**, Seoul (KR)

(**) Term: **15 Years**

(21) Appl. No.: **35/506,150**

(22) Filed: **Nov. 6, 2018**

(80) **Hague Agreement Data**

Int. Filing Date: **Nov. 6, 2018**
Int. Reg. No.: **DM/103820**
Int. Reg. Date: **Nov. 6, 2018**
Int. Reg. Pub. Date: **Nov. 30, 2018**

(51) **LOC (12) Cl.** **26-06**

(52) **U.S. Cl.**
USPC **D26/28**

(58) **Field of Classification Search**
USPC D12/196; D21/433; D26/28, 35, 36
CPC .. F21S 41/00; F21S 41/20; F21S 41/30; F21S 43/14; F21S 43/15; F21S 43/20
See application file for complete search history.

(56) **References Cited**

U.S. PATENT DOCUMENTS

D674,939 S * 1/2013 Lai D26/28
D681,245 S * 4/2013 Colborne D26/28

D683,486 S * 5/2013 Kogawa D26/28
D710,044 S * 7/2014 Lai D26/28
D710,523 S * 8/2014 Kaneda D26/28
D713,572 S * 9/2014 Campbell D26/28
D776,312 S * 1/2017 Han D26/28
D787,724 S * 5/2017 Hong D26/28
D842,509 S * 3/2019 Yoon D26/28
D846,779 S * 4/2019 Hwang D26/28

* cited by examiner

Primary Examiner — Robert M. Spear

(74) *Attorney, Agent, or Firm* — Mintz Levin Cohn Ferris Glovsky and Popeo, P.C.; Peter F. Corless; Carolina E. Säve

(57) **CLAIM**

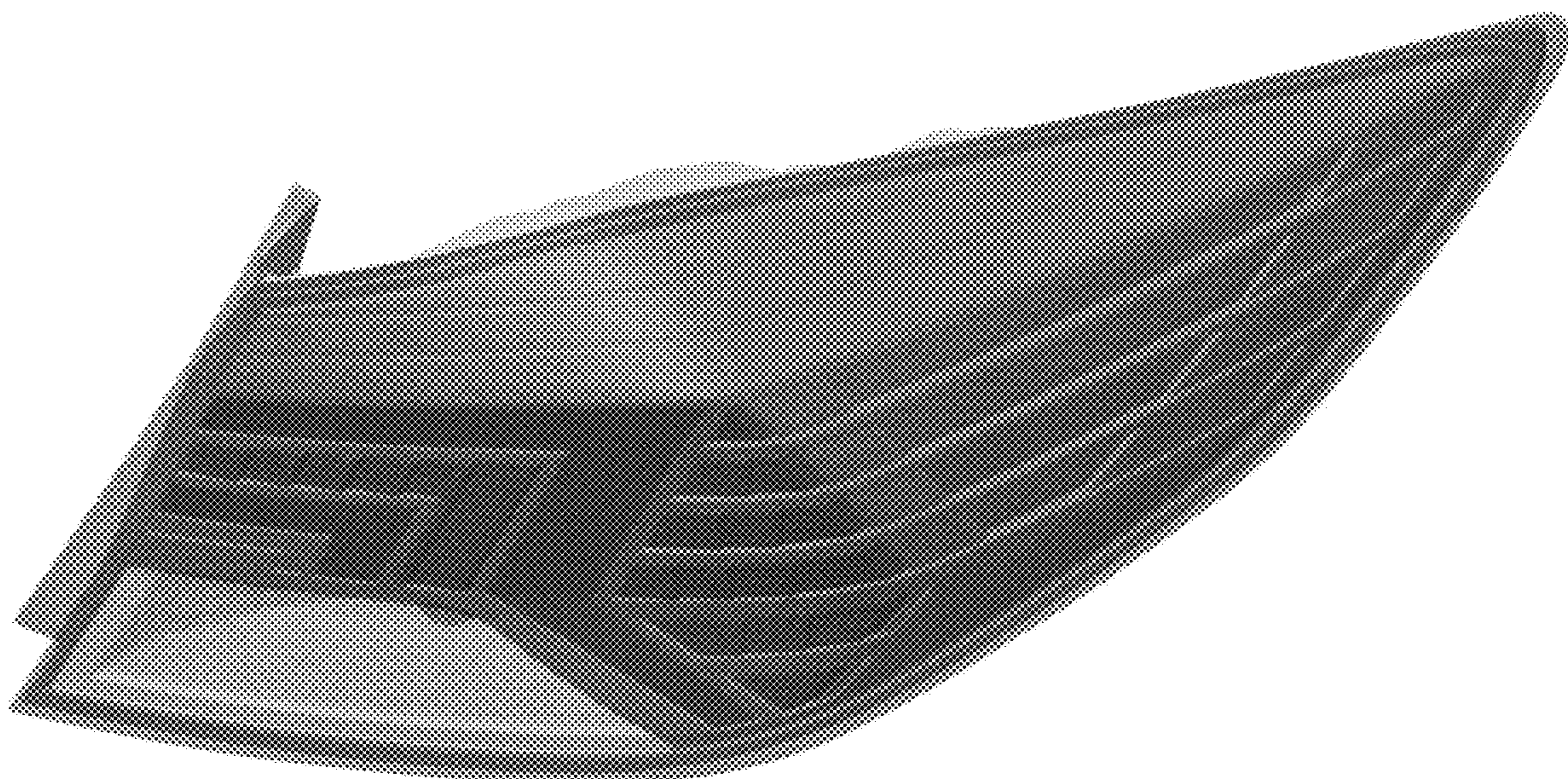
The ornamental design for a rear combination lamp for vehicles, as shown and described.

DESCRIPTION

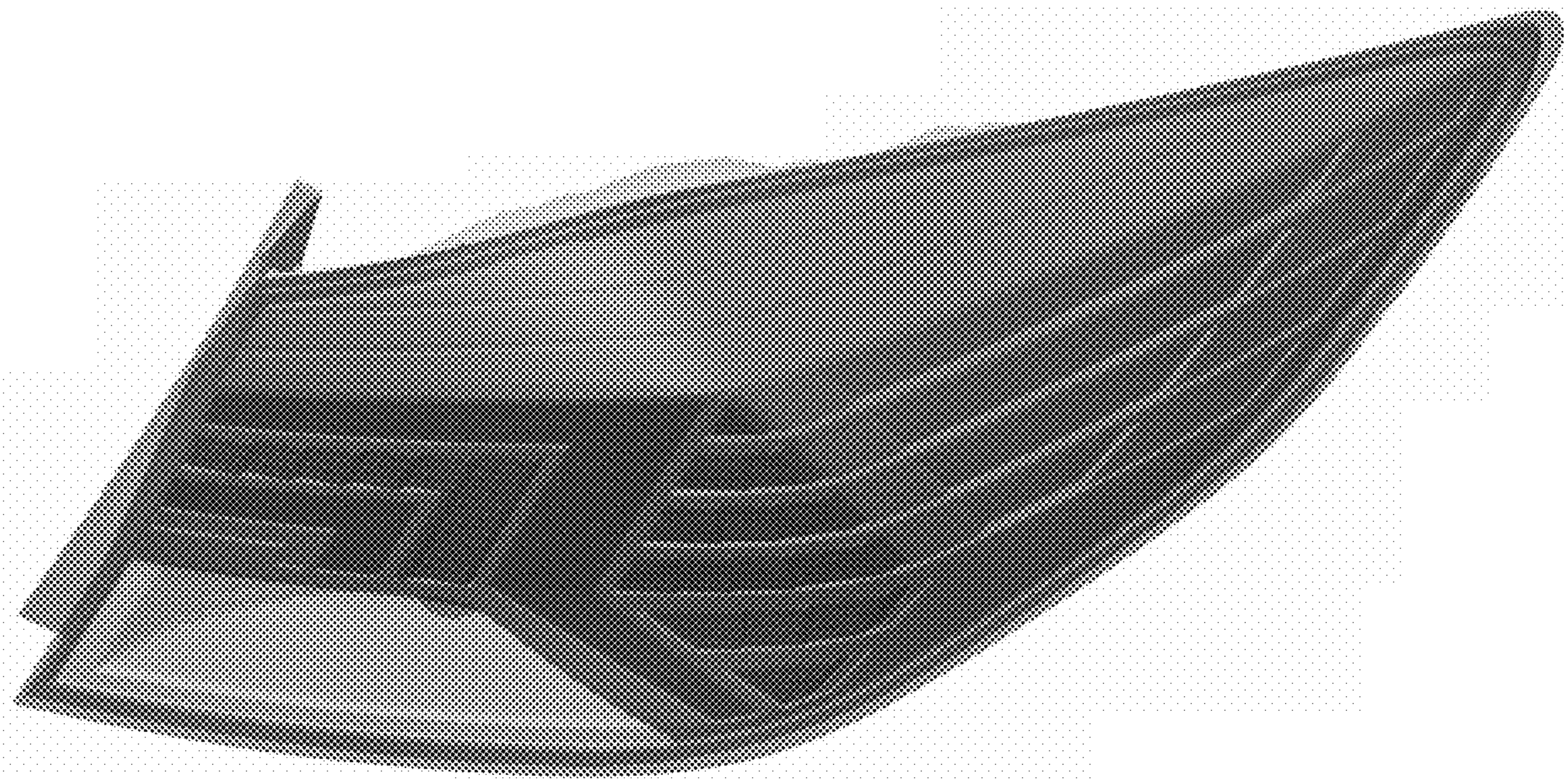
- 1. Rear combination lamp for vehicles
- 1.1 : Perspective
- 1.2 : Front
- 1.3 : Back
- 1.4 : Left
- 1.5 : Right
- 1.6 : Top
- 1.7 : Bottom

Reproduction 1.1 is a perspective view of a rear combination lamp for vehicles showing our new design; reproduction 1.2 is a front elevation view thereof; reproduction 1.3 is a rear elevation view thereof; reproduction 1.4 is a left side elevation view thereof; reproduction 1.5 is a right side elevation view thereof; reproduction 1.6 is a top plan view thereof; and reproduction 1.7 is a bottom plan view thereof.

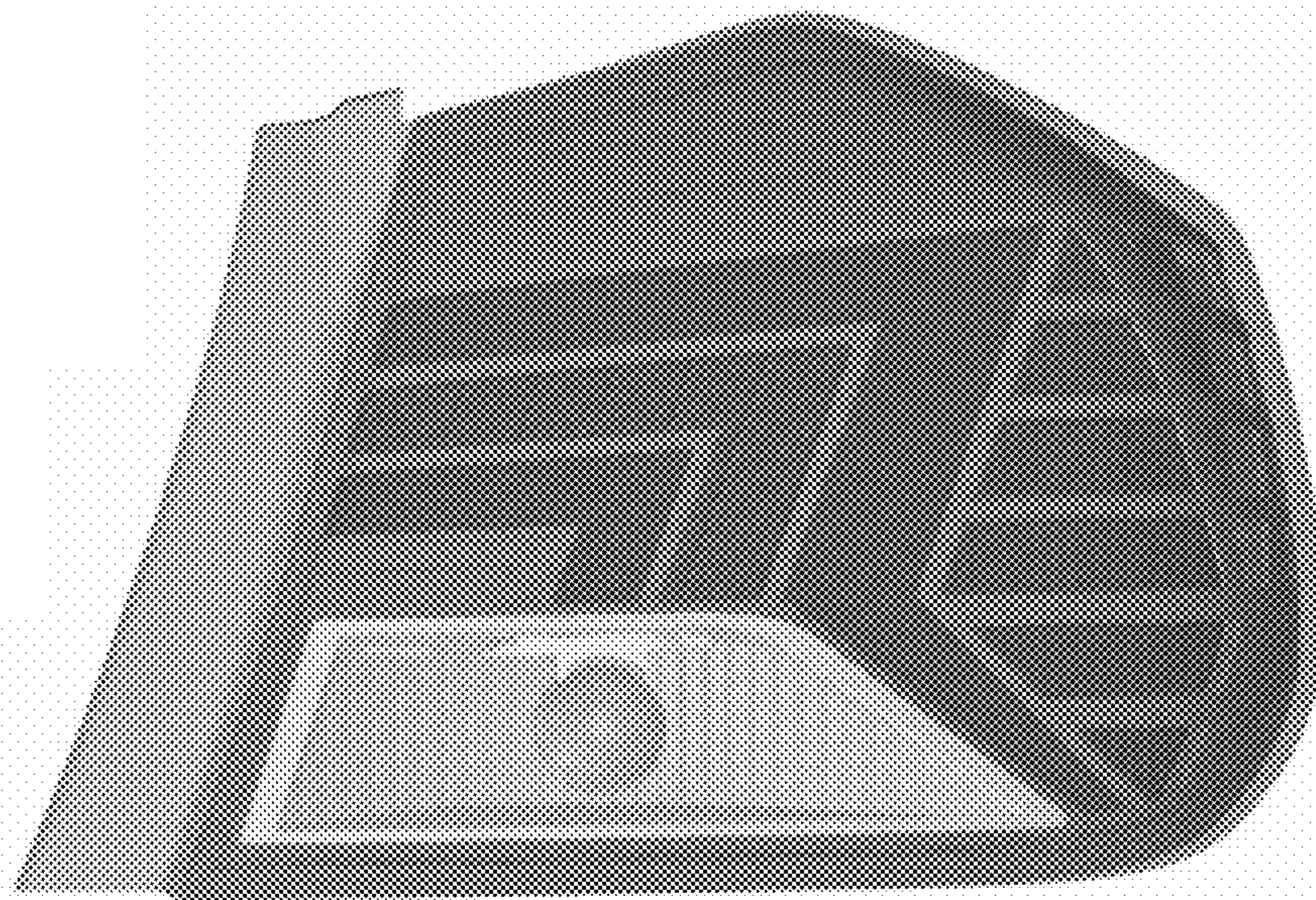
1 Claim, 7 Drawing Sheets



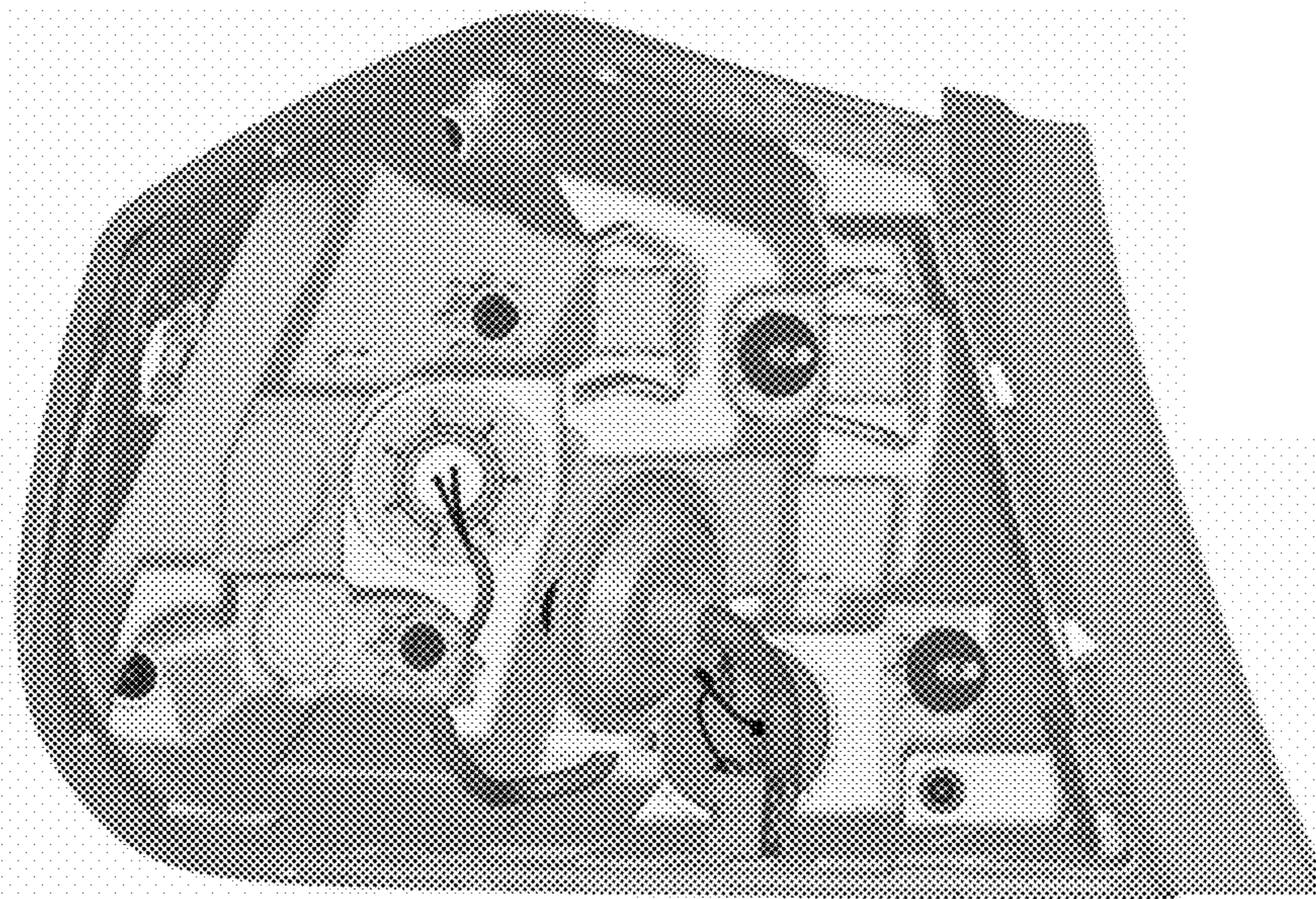
1.1



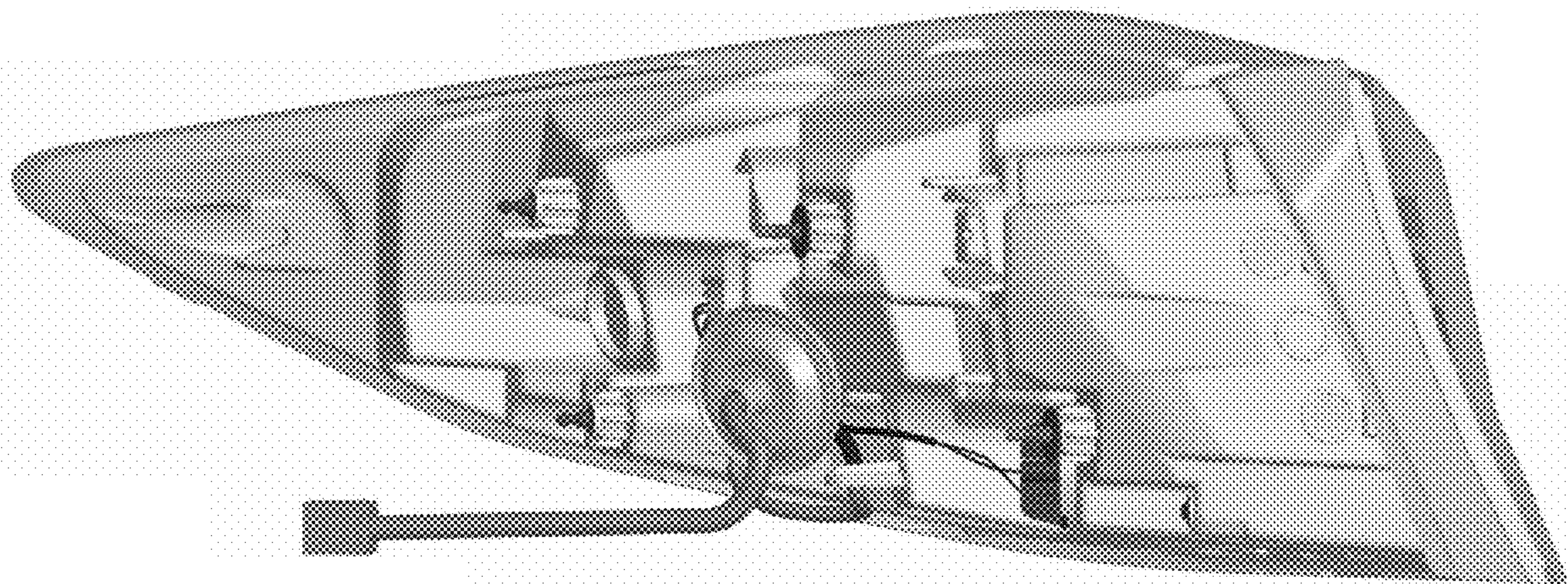
1.2



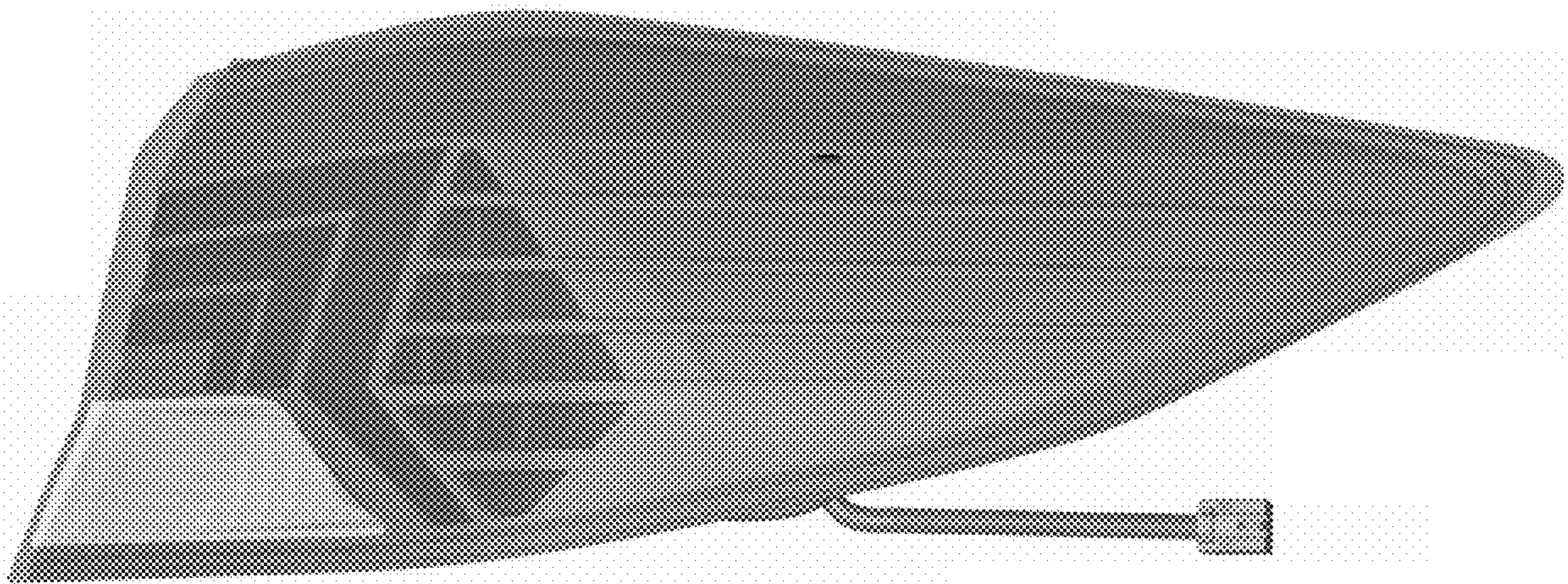
1.3



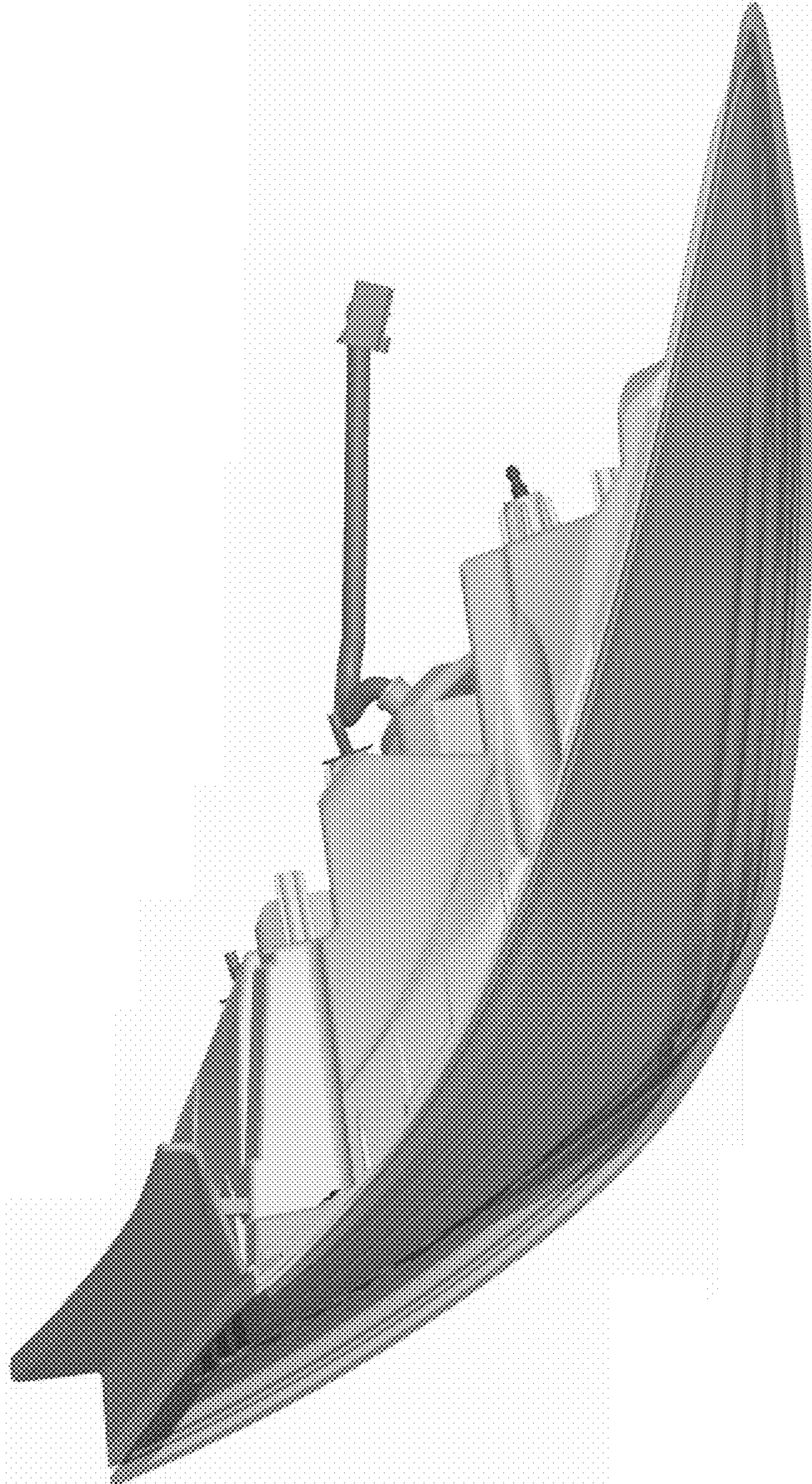
1.4



1.5



1.6



1.7

