

US00D870331S

(12) **United States Design Patent** (10) **Patent No.:** **US D870,331 S**
Binder (45) **Date of Patent:** **** Dec. 17, 2019**

(54) **TAILLIGHT FOR A VEHICLE**
(71) Applicant: **Bayerische Motoren Werke Aktiengesellschaft, Munich (DE)**
(72) Inventor: **Thomas Binder, Stockdorf (DE)**
(73) Assignee: **Bayerische Motoren Werke Aktiengesellschaft, Munich (DE)**

D827,885 S * 9/2018 Hannemann D26/28
D835,313 S * 12/2018 Jung D26/28
D841,207 S * 2/2019 Yang D26/28
10,195,927 B2 * 2/2019 Dockweiler B60J 5/101
(Continued)

(**) Term: **15 Years**
(21) Appl. No.: **29/630,709**
(22) Filed: **Dec. 22, 2017**

FOREIGN PATENT DOCUMENTS

WO WO DM/092771 3/2017

(30) **Foreign Application Priority Data**

Jun. 30, 2017 (DE) 40 2017 100 779
(51) **LOC (12) Cl.** **26-06**
(52) **U.S. Cl.**
USPC **D26/28**
(58) **Field of Classification Search**
USPC D26/28
CPC F21S 41/00
See application file for complete search history.

OTHER PUBLICATIONS

“YouTube—The First-Ever BMW X7. Official Launch Film.” Found online Jul. 25, 2019 at www.youtube.com. Video published Oct. 16, 2018. Retrieved from URL: https://www.youtube.com/watch?v=9X_uPjJW9mY (Year: 2018).*
(Continued)

Primary Examiner — Garth Rademaker
Assistant Examiner — Katelin G Kloberg
(74) *Attorney, Agent, or Firm* — Crowell & Moring LLP

(56) **References Cited**

U.S. PATENT DOCUMENTS

D548,376 S * 8/2007 Markefka D26/28
D581,560 S * 11/2008 Leclercq D26/28
D591,877 S * 5/2009 Gabath D26/28
D694,440 S * 11/2013 Johnson D26/28
D694,441 S * 11/2013 Johnson D26/28
D716,978 S * 11/2014 Selvaag D26/28
D746,497 S * 12/2015 Behmer D26/28
D761,459 S * 7/2016 Binder D26/28
D767,177 S * 9/2016 Faghihzadeh D26/28
D780,966 S * 3/2017 Binder D26/28
D796,709 S * 9/2017 Lai D26/28
D802,812 S * 11/2017 Lai D26/28
D803,433 S * 11/2017 Yang D26/28
D814,081 S * 3/2018 Ha D26/28

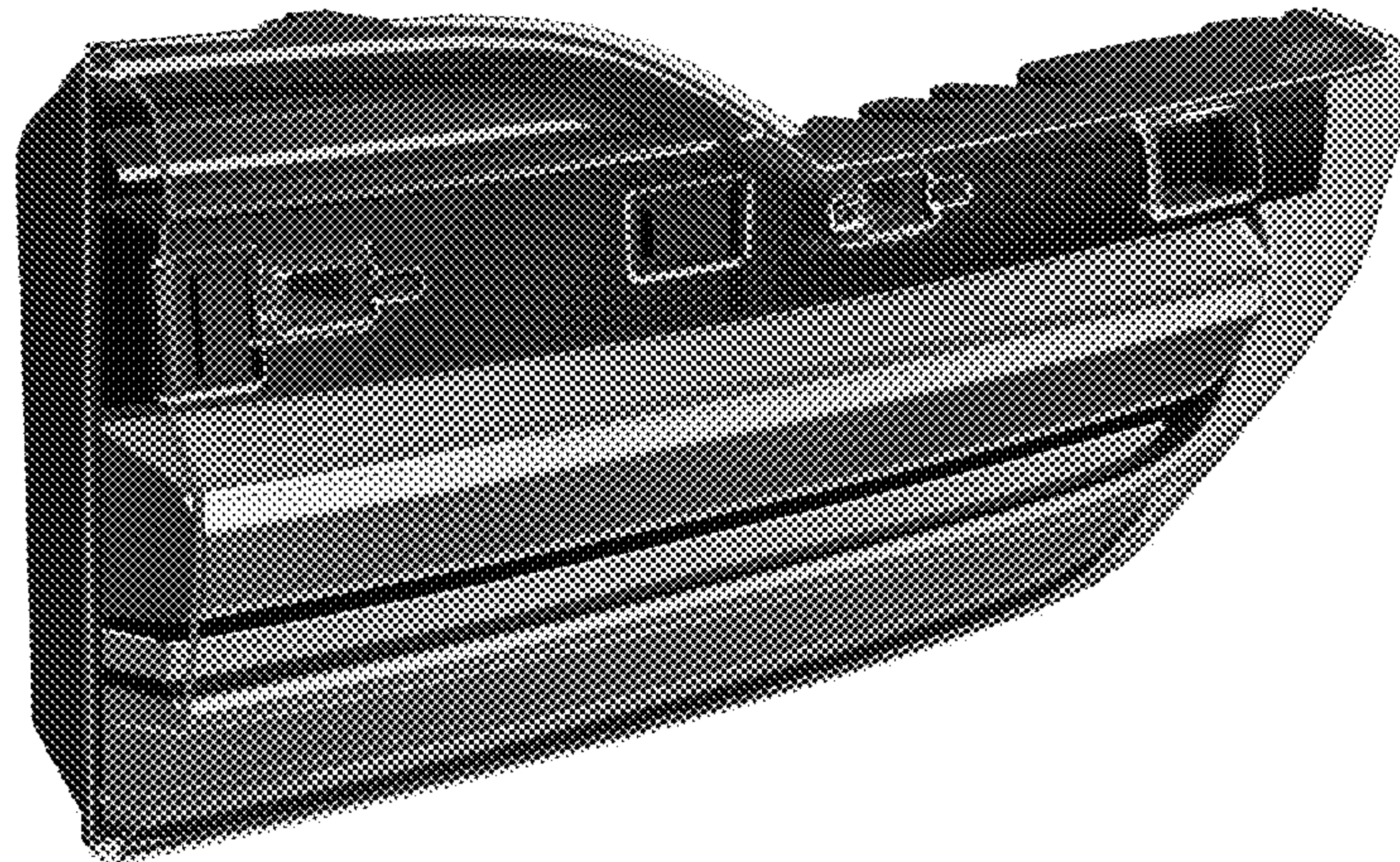
(57) **CLAIM**

The ornamental design for a taillight for a vehicle, as shown and described.

DESCRIPTION

This application contains subject matter related to the following co-pending U.S. design patent application: Application Ser. No. 29/630,695, filed herewith and entitled “Vehicle, Toy, and/or Replicas Thereof”.
FIG. 1 is a front view of a taillight for a vehicle according to the design;
FIG. 2 is a left perspective view thereof;
FIG. 3 is a right perspective view thereof;
FIG. 4 is a left side view thereof;
FIG. 5 is a right side view thereof;
FIG. 6 is a top view thereof;
FIG. 7 is a bottom view thereof; and,
FIG. 8 is a rear view thereof.

1 Claim, 8 Drawing Sheets



(56)

References Cited

U.S. PATENT DOCUMENTS

D843,615	S	*	3/2019	Nordmann	D26/28
D844,188	S	*	3/2019	Nordmann	D26/28
D844,189	S	*	3/2019	Nordmann	D26/28
D844,190	S	*	3/2019	Nordmann	D26/28
D844,191	S	*	3/2019	Nordmann	D26/28
D844,192	S	*	3/2019	Nordmann	D26/28
D845,521	S	*	4/2019	Binder	D26/28
D845,834	S	*	4/2019	Sarremejean	D12/91
D846,164	S	*	4/2019	Lin	D26/28
D846,769	S	*	4/2019	Koo	D26/28
D846,772	S	*	4/2019	Pinazzo	D26/28
D846,779	S	*	4/2019	Hwang	D26/28
D848,040	S	*	5/2019	Binder	D26/28
D849,289	S	*	5/2019	Lai	D26/28
D851,301	S	*	6/2019	Lin	D26/28
D851,302	S	*	6/2019	Lin	D26/28
D852,999	S	*	7/2019	Allmendinger	D26/28
D853,606	S	*	7/2019	Nordmann	D26/28

OTHER PUBLICATIONS

“YouTube—BMW Concept X7 iPerformance Headlights With Laser Light & Tail Lights.” Found online Jul. 25, 2019 at www.youtube.com. Video published Sep. 8, 2017. Retrieved from URL: <https://www.youtube.com/watch?v=z77aIHREHzs> (Year: 2017).*

“AutoExpress—New BMW X7 revealed—pictures.” Found online Jul. 25, 2019 at www.autoexpress.co.uk. Page dated Oct. 16, 2018. Retrieved from URL: <https://www.autoexpress.co.uk/bmw/x7/104997/new-bmw-x7-revealed-pictures> (Year: 2018).*

“Car and Driver—View Photos of the 2019 BMW X7.” Found online Jul. 25, 2019 at www.caranddriver.com. Page dated Mar. 19, 2019. Retrieved from URL: <https://www.caranddriver.com/photos/g26841537/2019-bmw-x7-suv-first-drive-gallery/?slide=12> (Year: 2019).*

* cited by examiner

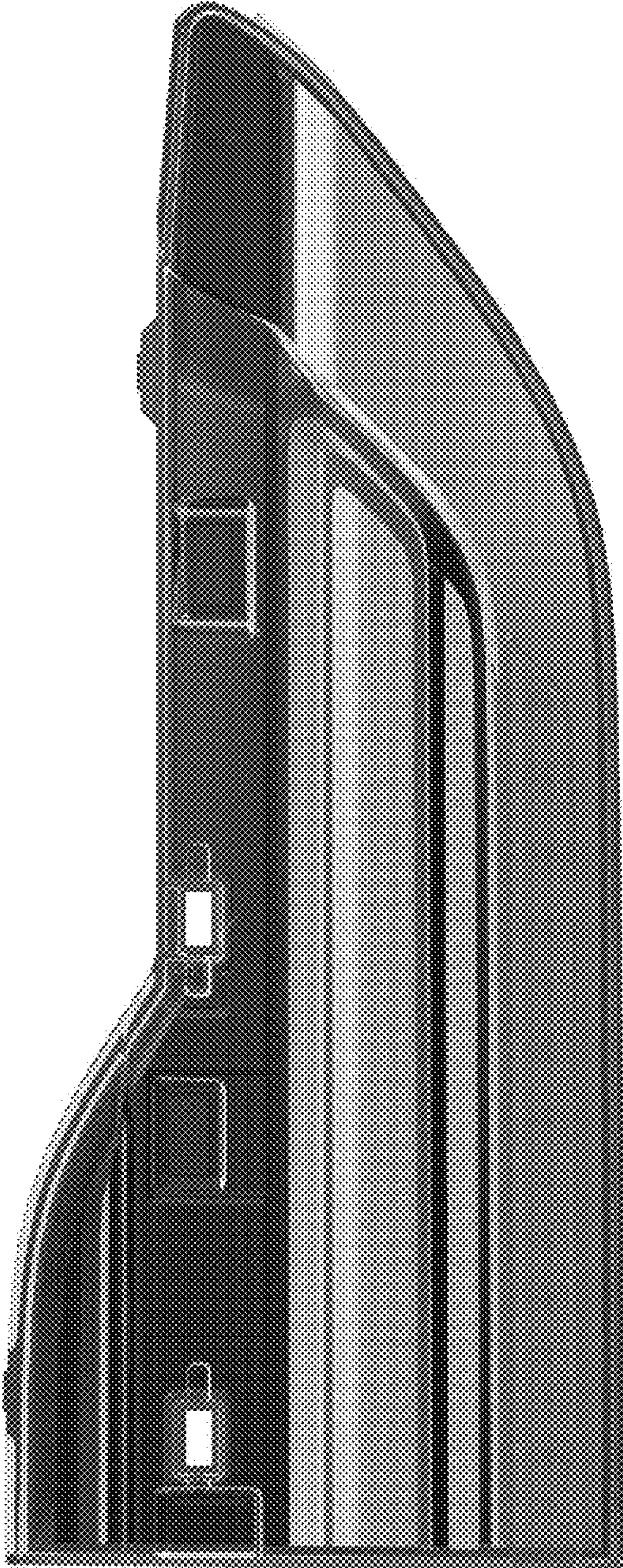


Fig. 1



Fig. 2

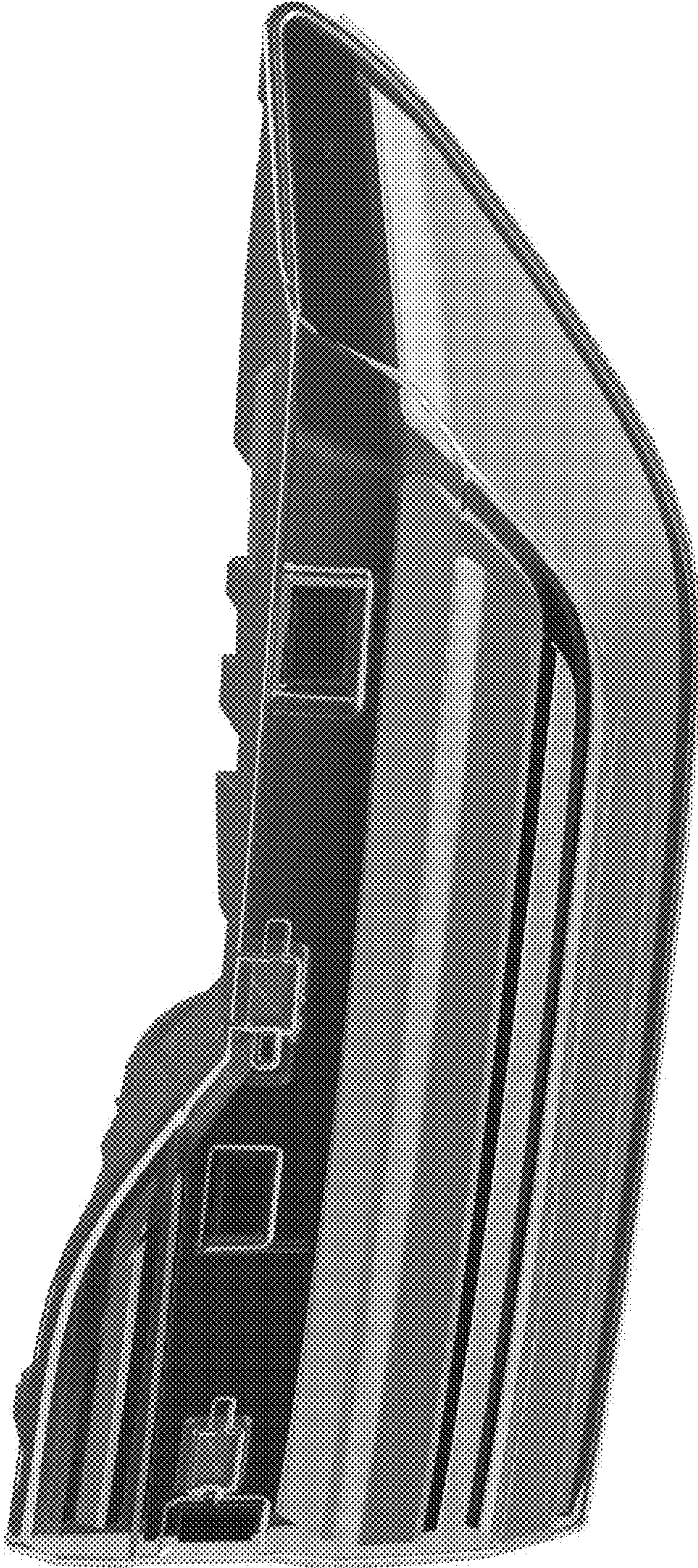


Fig. 3

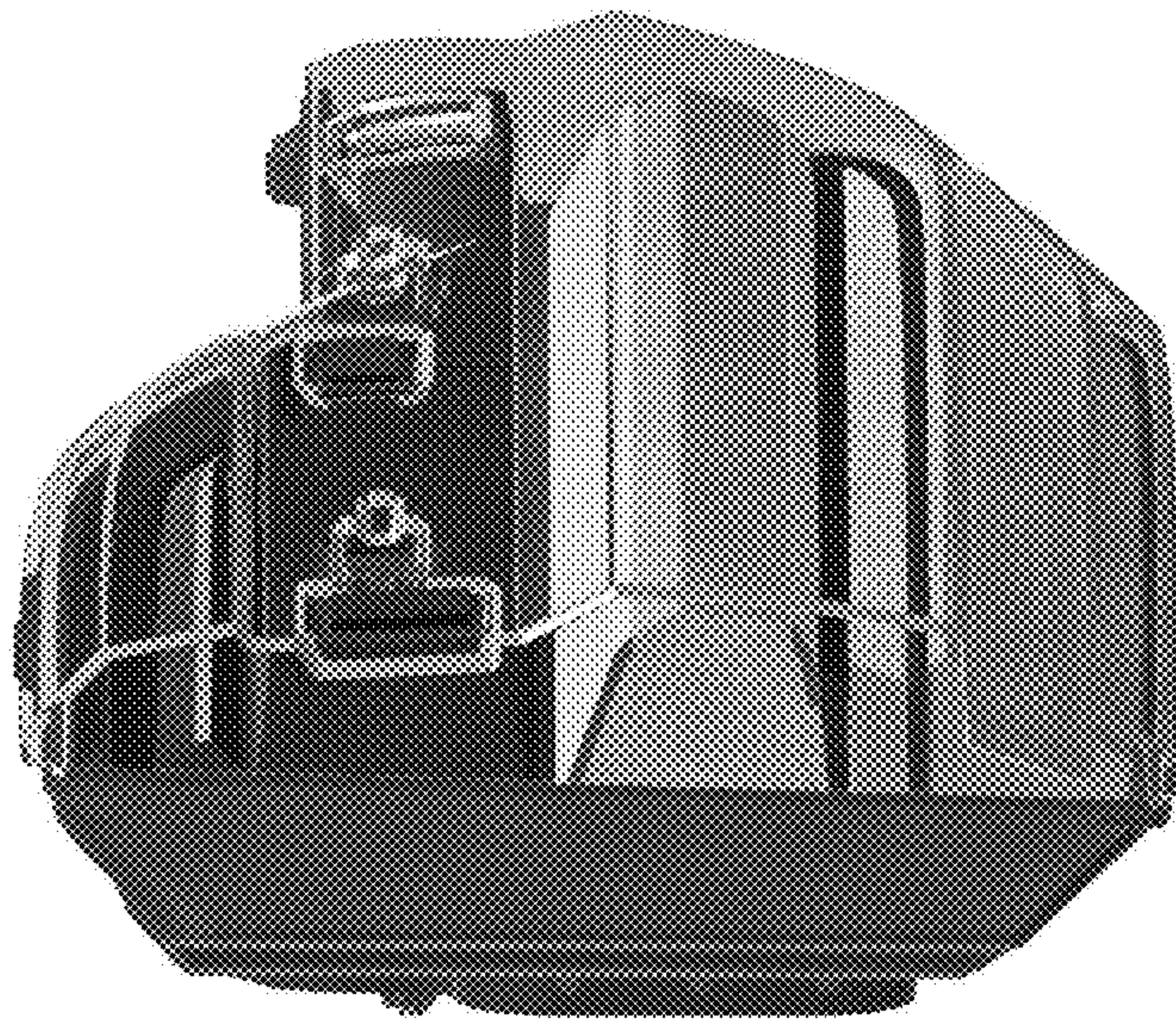


Fig. 4

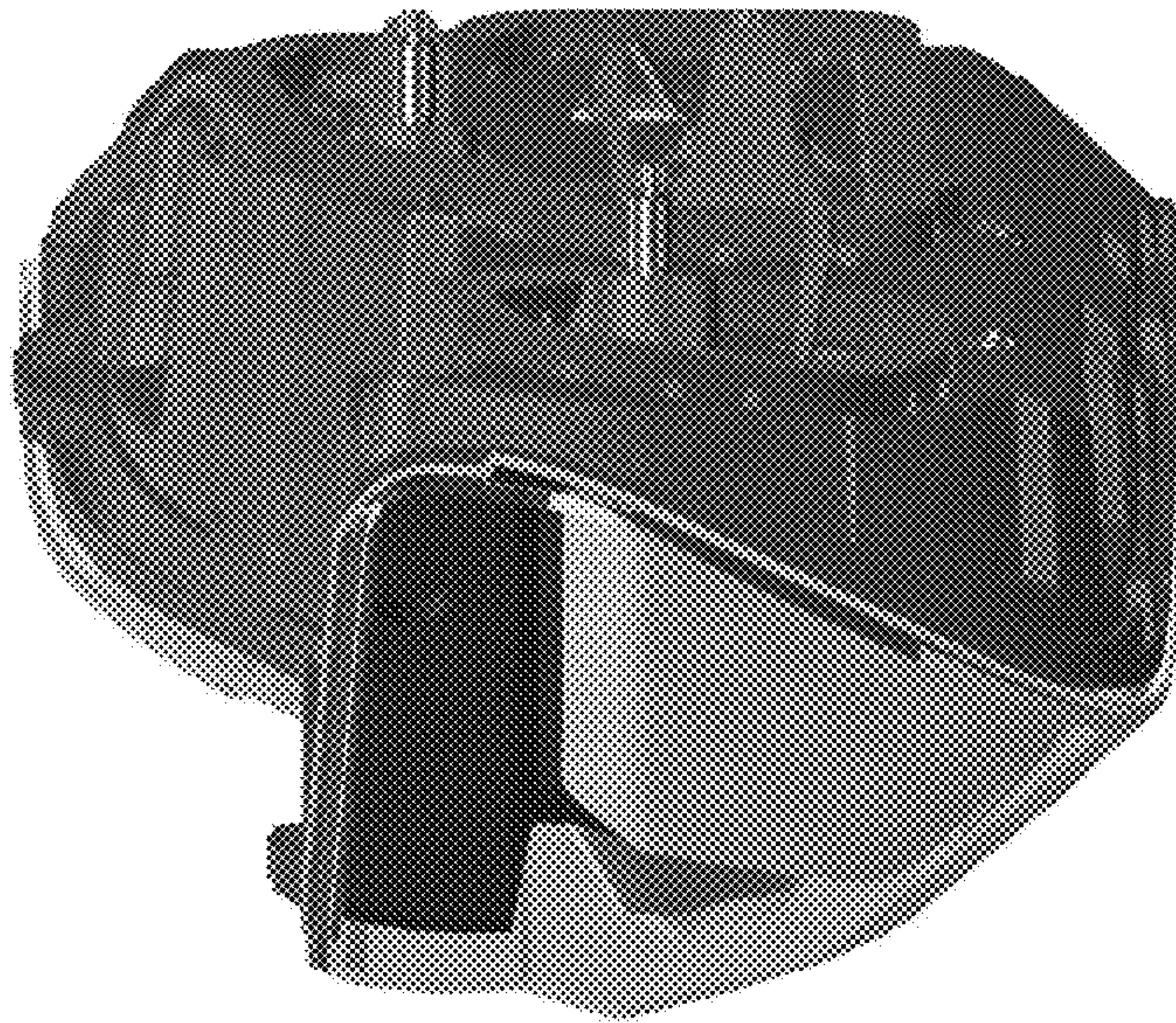


Fig. 5

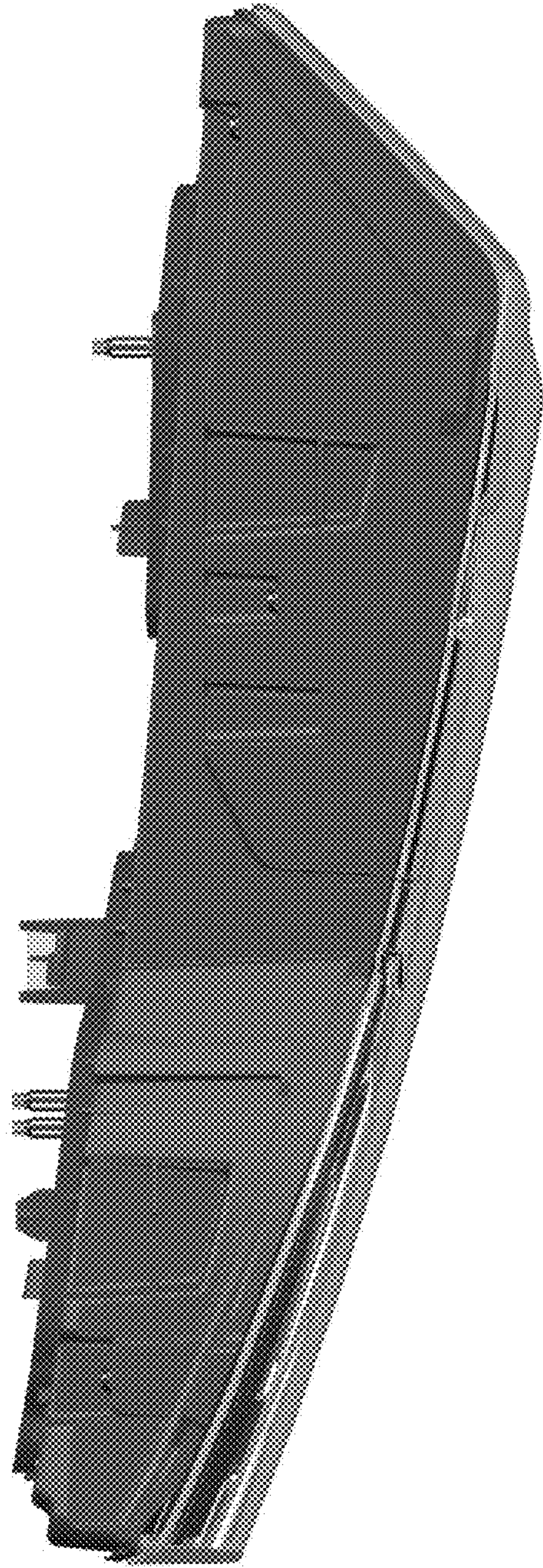


Fig. 6

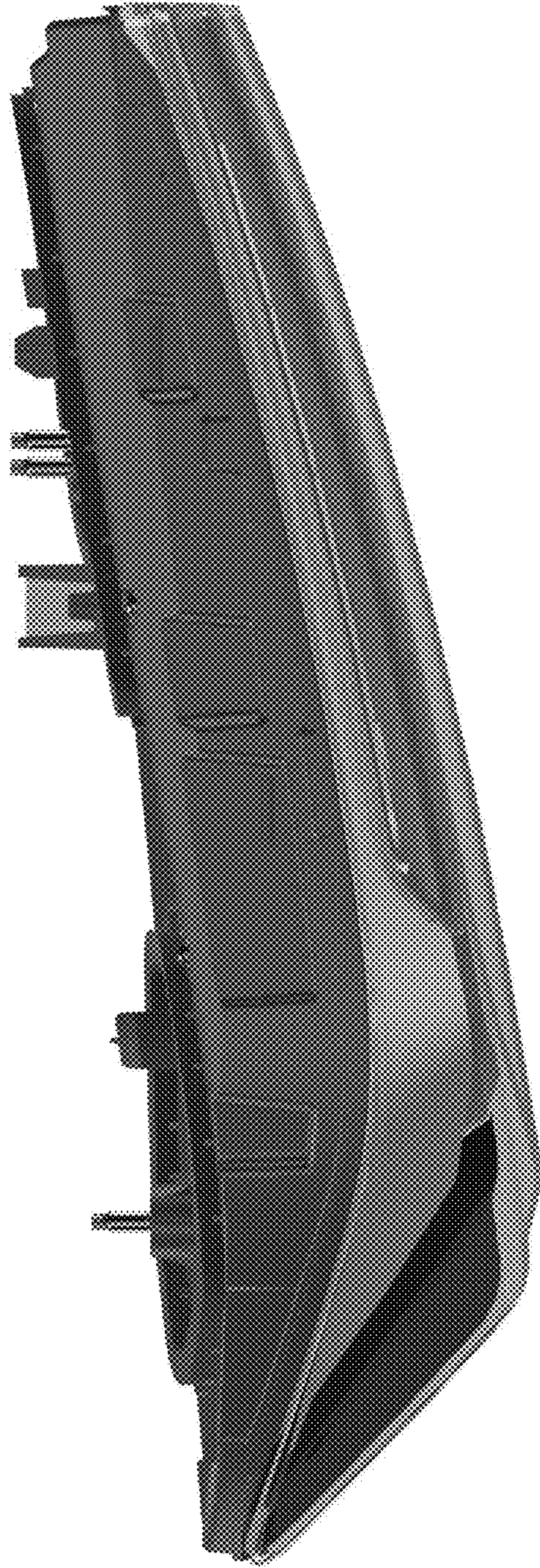


Fig. 7

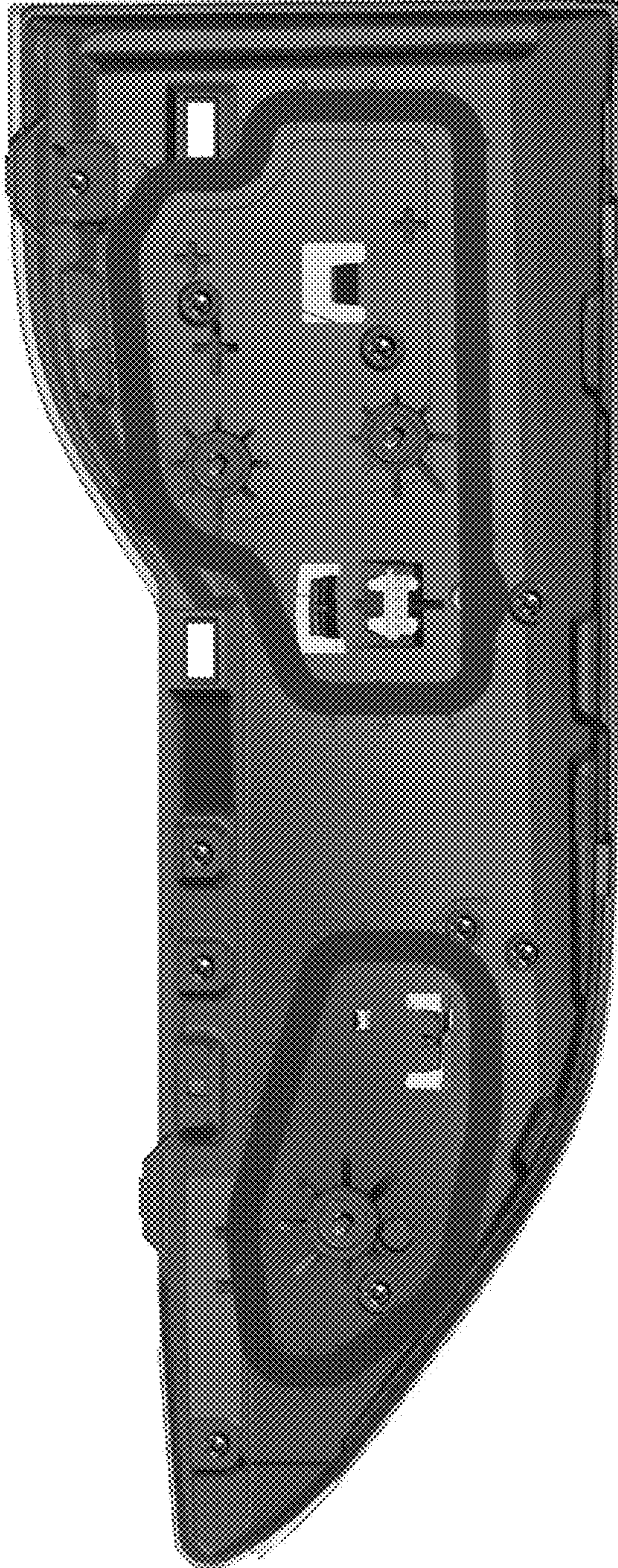


Fig. 8