

US00D870330S

(12) **United States Design Patent** (10) **Patent No.:** **US D870,330 S**  
**Binder** (45) **Date of Patent:** **\*\* Dec. 17, 2019**

(54) **TAILLIGHT FOR A VEHICLE**  
(71) Applicant: **Bayerische Motoren Werke Aktiengesellschaft, Munich (DE)**  
(72) Inventor: **Thomas Binder, Stockdorf (DE)**  
(73) Assignee: **Bayerische Motoren Werke Aktiengesellschaft, Munich (DE)**

D814,081 S \* 3/2018 Ha ..... D26/28  
D827,885 S \* 9/2018 Hannemann ..... D26/28  
D835,313 S \* 12/2018 Jung ..... D26/28  
D841,207 S \* 2/2019 Yang ..... D26/28

(Continued)

**FOREIGN PATENT DOCUMENTS**

WO WO DM/092771 3/2017

**OTHER PUBLICATIONS**

“YouTube—The First-Ever BMW X7. Official Launch Film.” Found online Jul. 25, 2019 at [www.youtube.com](http://www.youtube.com). Video published Oct. 16, 2018. Retrieved from URL: [https://www.youtube.com/watch?v=9X\\_uPjJW9mY](https://www.youtube.com/watch?v=9X_uPjJW9mY) (Year: 2018).\*

(Continued)

*Primary Examiner* — Garth Rademaker  
*Assistant Examiner* — Katelin G Kloberg  
(74) *Attorney, Agent, or Firm* — Crowell & Moring LLP

(\*\*) Term: **15 Years**  
(21) Appl. No.: **29/630,708**

(22) Filed: **Dec. 22, 2017**

(30) **Foreign Application Priority Data**

Jun. 30, 2017 (DE) ..... 40 2017 100 779

(51) **LOC (12) Cl.** ..... **26-06**

(52) **U.S. Cl.**  
USPC ..... **D26/28**

(58) **Field of Classification Search**  
USPC ..... D26/28  
CPC ..... F21S 41/00  
See application file for complete search history.

(57) **CLAIM**

The ornamental design for a taillight for a vehicle, as shown and described.

**DESCRIPTION**

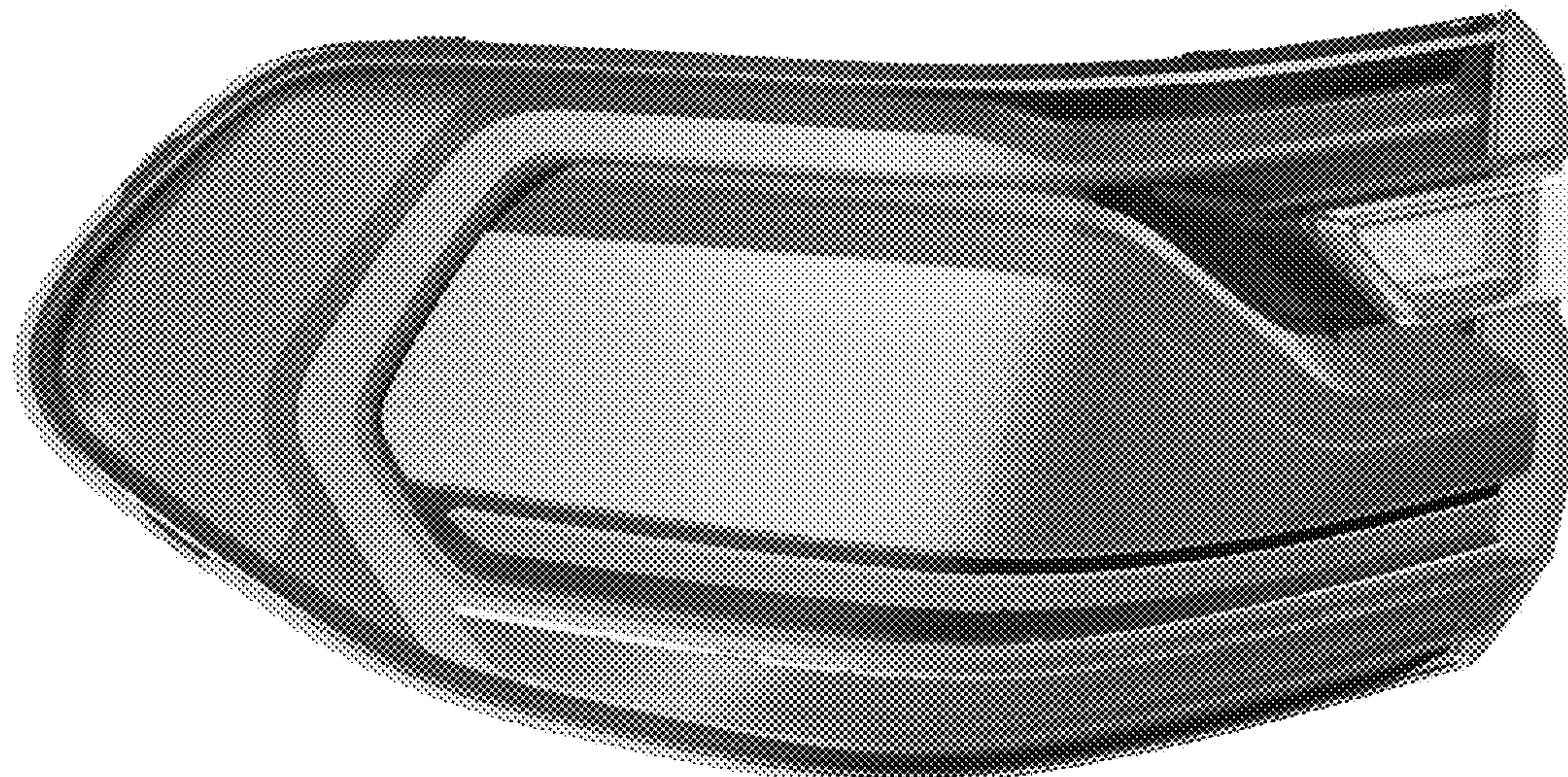
This application contains subject matter related to the following co-pending U.S. design patent application: Application Ser. No. 29/630,695, filed herewith and entitled “Vehicle, Toy, and/or Replicas Thereof”. FIG. 1 is a front view of a taillight for a vehicle according to the design; FIG. 2 is a left perspective view thereof; FIG. 3 is a right perspective view thereof; FIG. 4 is a left side view thereof; FIG. 5 is a right side view thereof; FIG. 6 is a top view thereof; FIG. 7 is a bottom view thereof; and, FIG. 8 is a rear view thereof.

**1 Claim, 8 Drawing Sheets**

(56) **References Cited**

**U.S. PATENT DOCUMENTS**

D548,376 S \* 8/2007 Markefka ..... D26/28  
D581,560 S \* 11/2008 Leclercq ..... D26/28  
D591,877 S \* 5/2009 Gabath ..... D26/28  
D694,440 S \* 11/2013 Johnson ..... D26/28  
D694,441 S \* 11/2013 Johnson ..... D26/28  
D716,978 S \* 11/2014 Selvaag ..... D26/28  
D746,497 S \* 12/2015 Behmer ..... D26/28  
D761,459 S \* 7/2016 Binder ..... D26/28  
D765,289 S 8/2016 Luk  
D767,177 S \* 9/2016 Faghihzadeh ..... D26/28  
D780,966 S \* 3/2017 Binder ..... D26/28  
D796,709 S \* 9/2017 Lai ..... D26/28  
D802,812 S \* 11/2017 Lai ..... D26/28  
D803,433 S \* 11/2017 Yang ..... D26/28





(56)

References Cited

U.S. PATENT DOCUMENTS

10,195,927 B2 \* 2/2019 Dockweiler ..... B60J 5/101  
 D843,615 S \* 3/2019 Nordmann ..... D26/28  
 D844,188 S \* 3/2019 Nordmann ..... D26/28  
 D844,189 S \* 3/2019 Nordmann ..... D26/28  
 D844,190 S \* 3/2019 Nordmann ..... D26/28  
 D844,191 S \* 3/2019 Nordmann ..... D26/28  
 D844,192 S \* 3/2019 Nordmann ..... D26/28  
 D845,521 S \* 4/2019 Binder ..... D26/28  
 D845,834 S \* 4/2019 Sarremejean ..... D12/91  
 D846,164 S \* 4/2019 Lin ..... D26/28  
 D846,769 S \* 4/2019 Koo ..... D26/28  
 D846,772 S \* 4/2019 Pinazzo ..... D26/28  
 D846,779 S \* 4/2019 Hwang ..... D26/28  
 D848,040 S \* 5/2019 Binder ..... D26/28  
 D849,289 S \* 5/2019 Lai ..... D26/28  
 D851,301 S \* 6/2019 Lin ..... D26/28

D851,302 S \* 6/2019 Lin ..... D26/28  
 D852,999 S \* 7/2019 Allmendinger ..... D26/28  
 D853,606 S \* 7/2019 Nordmann ..... D26/28

OTHER PUBLICATIONS

“YouTube—BMW Concept X7 iPerformance Headlights With Laser Light & Tail Lights.” Found online Jul. 25, 2019 at [www.youtube.com](http://www.youtube.com). Video published Sep. 8, 2017. Retrieved from URL: <https://www.youtube.com/watch?v=z77aIHREHzs> (Year: 2017).\*

“AutoExpress—New BMW X7 revealed—pictures.” Found online Jul. 25, 2019 at [www.autoexpress.co.uk](http://www.autoexpress.co.uk). Page dated Oct. 16, 2018. Retrieved from URL: <https://www.autoexpress.co.uk/bmw/x7/104997/new-bmw-x7-revealed-pictures> (Year: 2018).\*

“Car and Driver—View Photos of the 2019 BMW X7.” Found online Jul. 25, 2019 at [www.caranddriver.com](http://www.caranddriver.com). Page dated Mar. 19, 2019. Retrieved from URL: <https://www.caranddriver.com/photos/g26841537/2019-bmw-x7-suv-first-drive-gallery/?slide=12> (Year: 2019).\*

\* cited by examiner

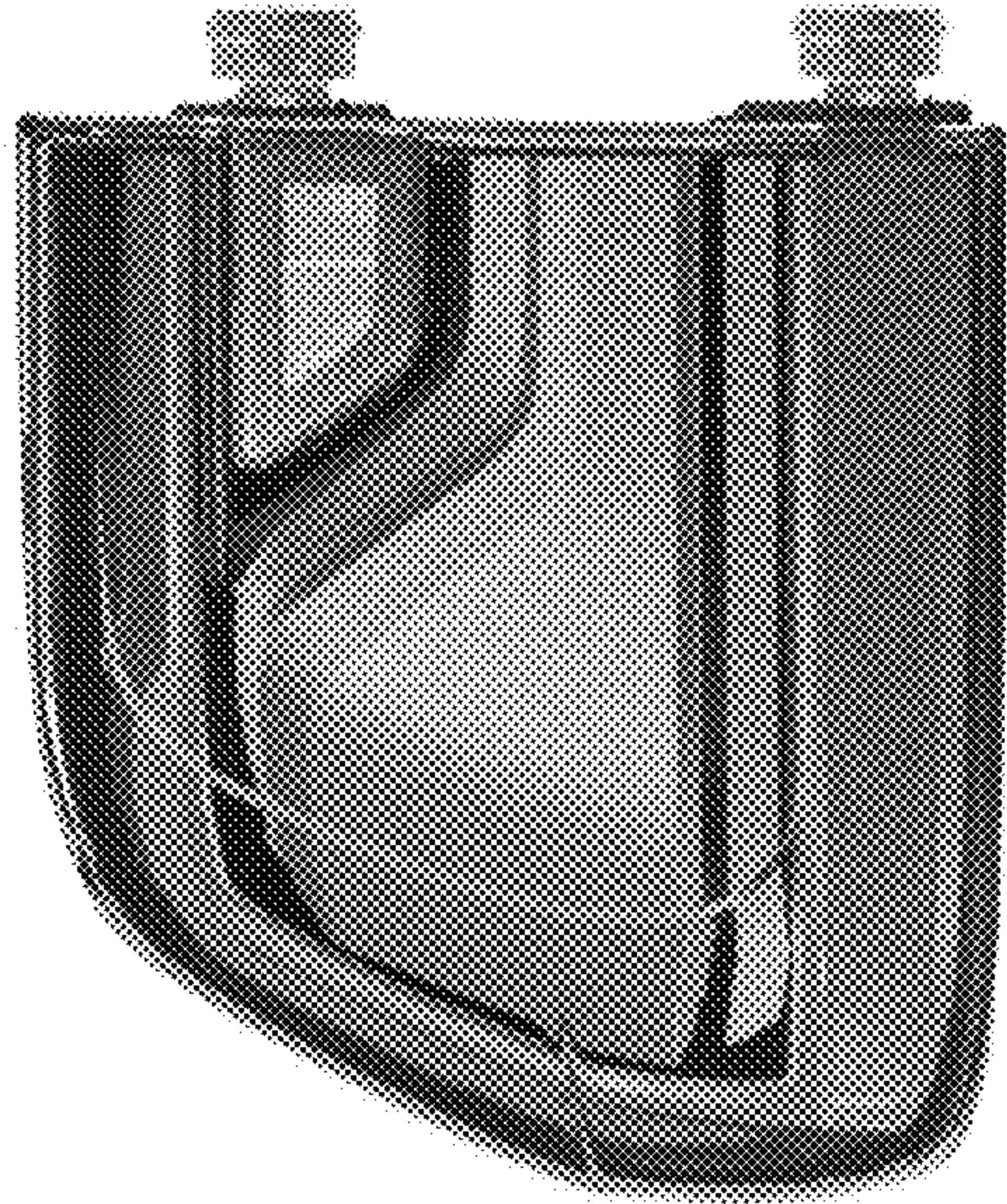


Fig. 1





Fig. 2





Fig. 3



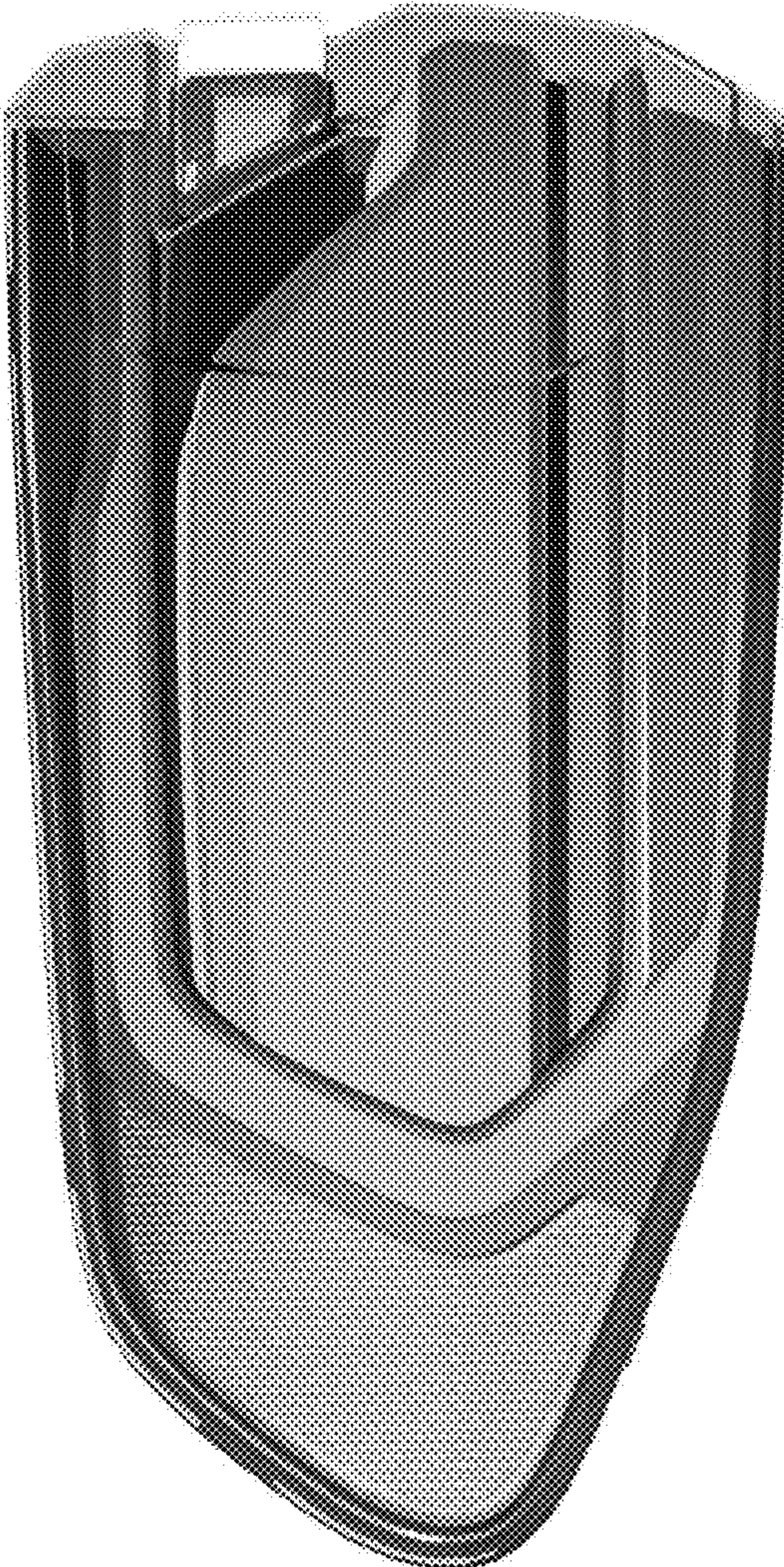


Fig. 4





Fig. 5



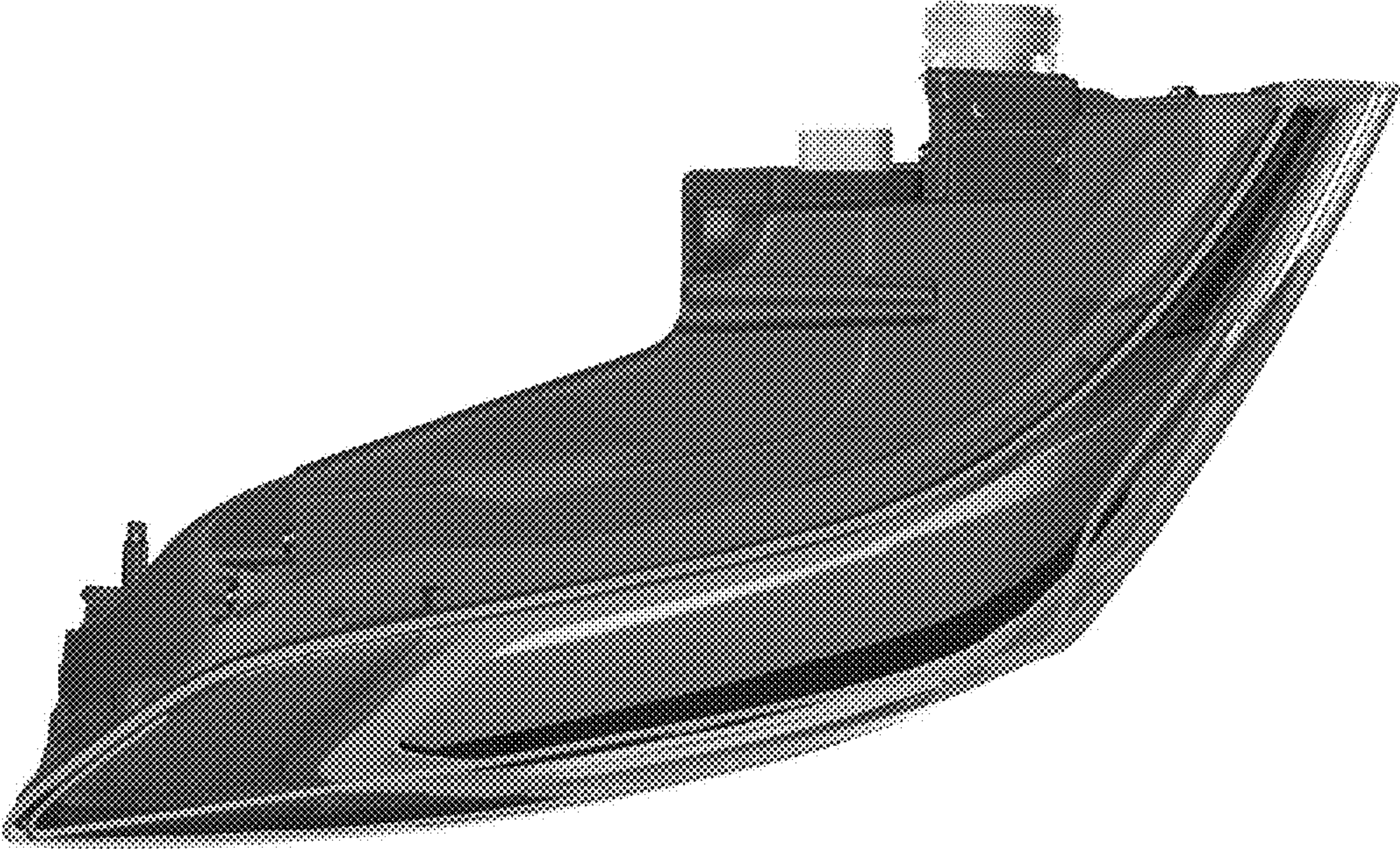


Fig. 6



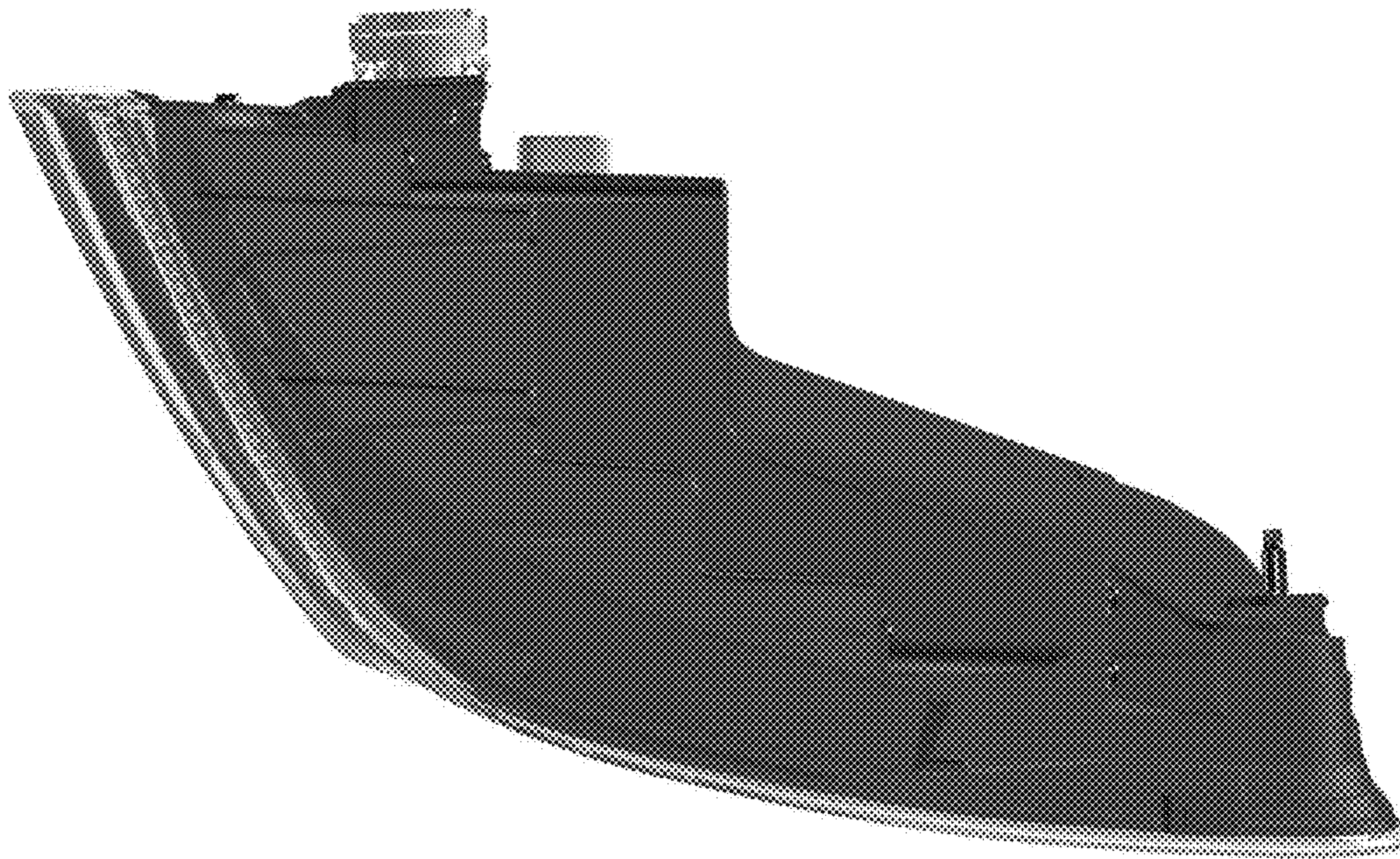


Fig. 7



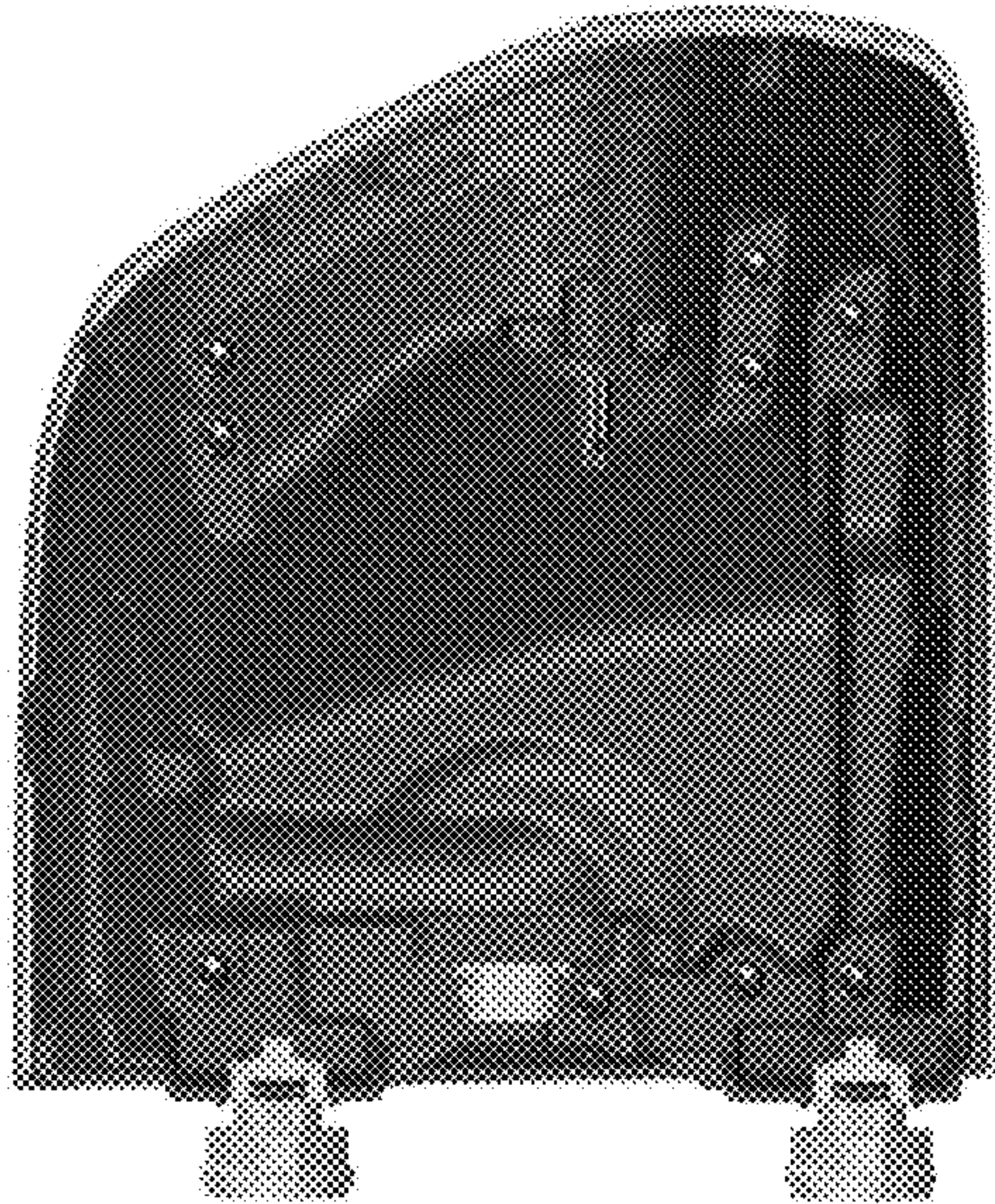


Fig. 8