



US00D870329S

(12) **United States Design Patent** (10) **Patent No.:** **US D870,329 S**  
**Binder** (45) **Date of Patent:** **\*\* Dec. 17, 2019**

(54) **HEADLIGHT FOR A VEHICLE**

FOREIGN PATENT DOCUMENTS

(71) Applicant: **Bayerische Motoren Werke Aktiengesellschaft, Munich (DE)**

WO WO DM/076561 2/2012  
WO WO DM/079708 6/2013  
WO WO DM/098388 11/2017

(72) Inventor: **Thomas Binder, Stockdorf (DE)**

(73) Assignee: **Bayerische Motoren Werke Aktiengesellschaft, Munich (DE)**

(\*\*) Term: **15 Years**

(21) Appl. No.: **29/630,707**

(22) Filed: **Dec. 22, 2017**

(30) **Foreign Application Priority Data**

Jun. 30, 2017 (DE) ..... 40 2017 100 779

(51) **LOC (12) Cl.** ..... **26-06**

(52) **U.S. Cl.**  
USPC ..... **D26/28**

(58) **Field of Classification Search**  
USPC ..... D26/28  
CPC ..... F21S 41/00

See application file for complete search history.

(56) **References Cited**

U.S. PATENT DOCUMENTS

D548,376 S \* 8/2007 Markefka ..... D26/28  
D581,560 S \* 11/2008 Leclercq ..... D26/28  
D591,877 S \* 5/2009 Gabath ..... D26/28  
D686,355 S 7/2013 Morgenstern  
D694,440 S \* 11/2013 Johnson ..... D26/28  
D694,441 S \* 11/2013 Johnson ..... D26/28  
D716,978 S \* 11/2014 Selvaag ..... D26/28  
D746,497 S \* 12/2015 Behmer ..... D26/28  
D761,459 S \* 7/2016 Binder ..... D26/28  
D767,177 S \* 9/2016 Faghihzadeh ..... D26/28  
D780,966 S \* 3/2017 Binder ..... D26/28  
D796,709 S \* 9/2017 Lai ..... D26/28  
D801,563 S 10/2017 Hannemann

(Continued)

OTHER PUBLICATIONS

“The 2018 BMW X7 shows us what will be their definitive headlights.” Found online Jul. 25, 2019 at [www.bmwblog.com](http://www.bmwblog.com). Page dated Aug. 13, 2017. Retrieved from URL: <https://www.bmwblog.com/2017/08/13/2018-bmw-x7-shows-us-will-definitive-headlights/> (Year: 2017).\*

(Continued)

*Primary Examiner* — Garth Rademaker

*Assistant Examiner* — Katelin G Kloberg

(74) *Attorney, Agent, or Firm* — Crowell & Moring LLP

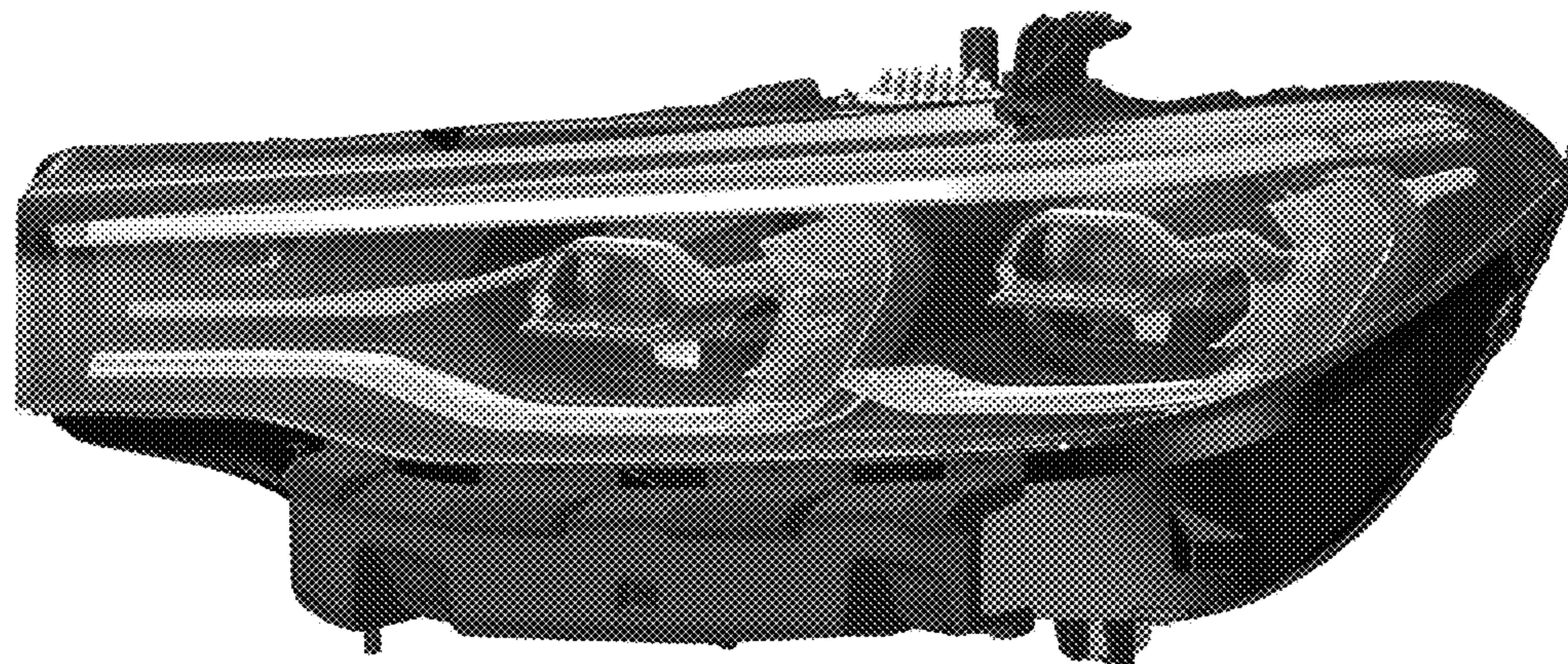
(57) **CLAIM**

The ornamental design for a headlight for a vehicle, as shown and described.

**DESCRIPTION**

This application contains subject matter related to the following co-pending U.S. design patent applications: Application Ser. No. 29/624,712, filed Nov. 3, 2017 and entitled “Headlight for a Vehicle”; and Application Ser. No. 29/630,695, filed herewith and entitled “Vehicle, Toy, and/or Replicas Thereof”. FIG. 1 is a front view of a headlight for a vehicle according to the design; FIG. 2 is a right perspective view thereof; FIG. 3 is a left perspective view thereof; FIG. 4 is a right side view thereof; FIG. 5 is a left side view thereof; FIG. 6 is a top view thereof; FIG. 7 is a bottom view thereof; and, FIG. 8 is a rear view thereof.

**1 Claim, 8 Drawing Sheets**



(56)

References Cited

U.S. PATENT DOCUMENTS

D802,812 S \* 11/2017 Lai ..... D26/28  
 D803,433 S \* 11/2017 Yang ..... D26/28  
 D814,081 S \* 3/2018 Ha ..... D26/28  
 D827,885 S \* 9/2018 Hannemann ..... D26/28  
 D835,313 S \* 12/2018 Jung ..... D26/28  
 D841,207 S \* 2/2019 Yang ..... D26/28  
 10,195,927 B2 \* 2/2019 Dockweiler ..... B60J 5/101  
 D843,615 S \* 3/2019 Nordmann ..... D26/28  
 D844,188 S \* 3/2019 Nordmann ..... D26/28  
 D844,189 S \* 3/2019 Nordmann ..... D26/28  
 D844,190 S \* 3/2019 Nordmann ..... D26/28  
 D844,191 S \* 3/2019 Nordmann ..... D26/28  
 D844,192 S \* 3/2019 Nordmann ..... D26/28  
 D845,521 S \* 4/2019 Binder ..... D26/28  
 D845,834 S \* 4/2019 Sarremejean ..... D12/91  
 D846,164 S \* 4/2019 Lin ..... D26/28  
 D846,769 S \* 4/2019 Koo ..... D26/28  
 D846,772 S \* 4/2019 Pinazzo ..... D26/28  
 D846,779 S \* 4/2019 Hwang ..... D26/28  
 D848,040 S \* 5/2019 Binder ..... D26/28  
 D849,289 S \* 5/2019 Lai ..... D26/28  
 D851,301 S \* 6/2019 Lin ..... D26/28

D851,302 S \* 6/2019 Lin ..... D26/28  
 D852,999 S \* 7/2019 Allmendinger ..... D26/28  
 D853,606 S \* 7/2019 Nordmann ..... D26/28

OTHER PUBLICATIONS

“Motortrend—2019 BMW X7 Headlight.” Found online Jul. 25, 2019 at [www.motortrend.com](http://www.motortrend.com). Page dated Oct. 15, 2018. Retrieved from URL: <https://www.motortrend.com/2019-bmw-x7-headlight/> (Year: 2018).\*

“YouTube—The First-Ever BMW X7. Official Launch Film.” Found online Jul. 25, 2019 at [www.youtube.com](http://www.youtube.com). Video published Oct. 16, 2018. Retrieved from URL: [https://www.youtube.com/watch?v=9X\\_uPjJW9mY](https://www.youtube.com/watch?v=9X_uPjJW9mY) (Year: 2018).\*

“YouTube—BMW Concept X7 iPerformance Headlights With Laser Light & Tail Lights.” Found online Jul. 25, 2019 at [www.youtube.com](http://www.youtube.com). Video published Sep. 8, 2017. Retrieved from URL: <https://www.youtube.com/watch?v=z77aIHREHzs> (Year: 2017).\*

“AutoExpress—New BMW X7 revealed—pictures.” Found online Jul. 25, 2019 at [www.autoexpress.co.uk](http://www.autoexpress.co.uk). Page dated Oct. 16, 2018. Retrieved from URL: <https://www.autoexpress.co.uk/bmw/x7/104997/new-bmw-x7-revealed-pictures> (Year: 2018).\*

\* cited by examiner

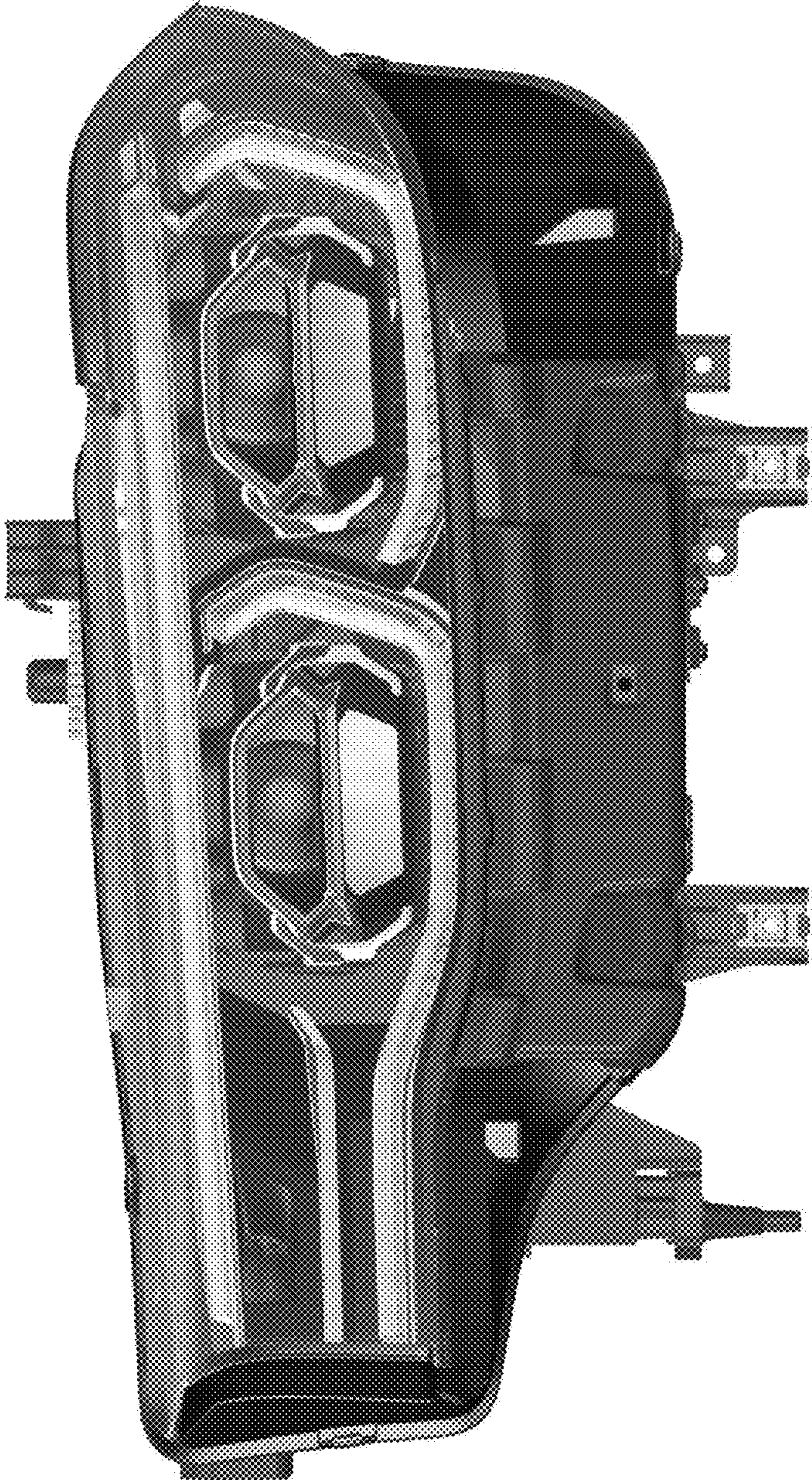


Fig. 1

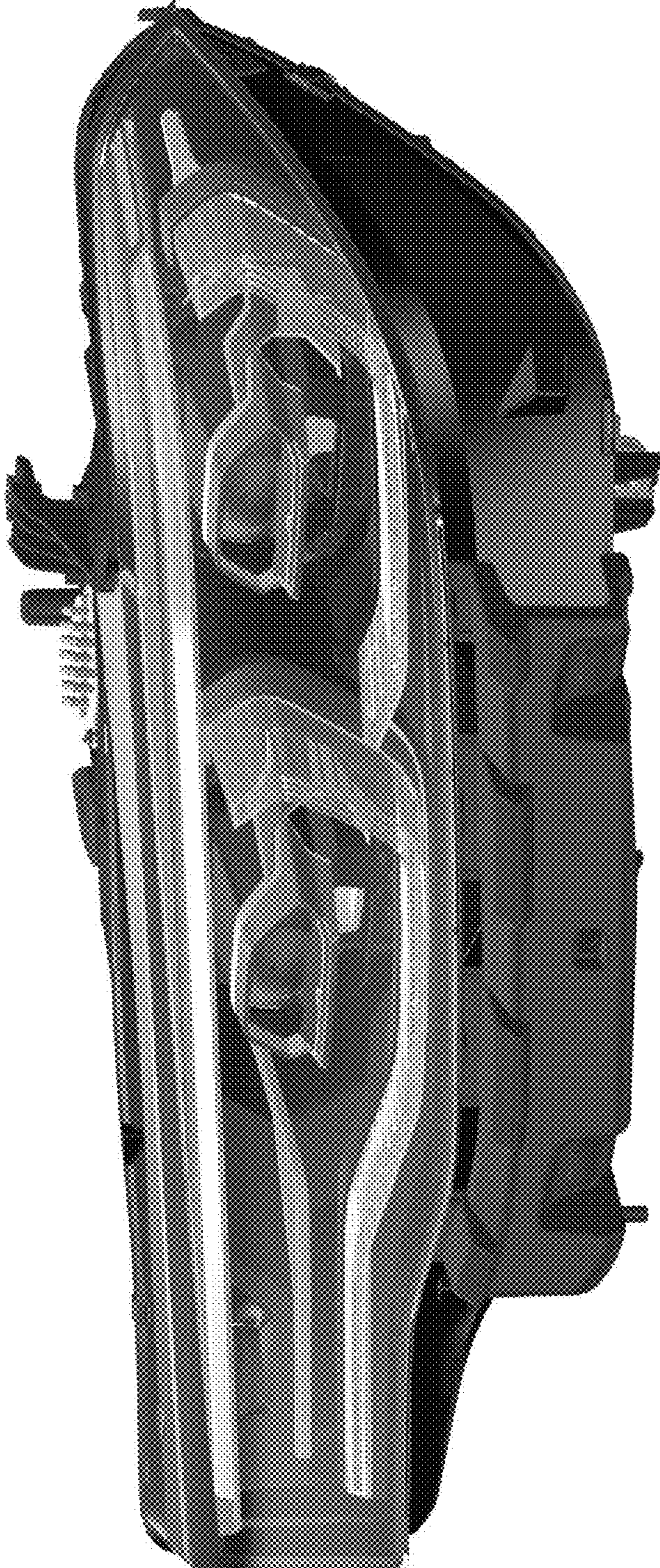


Fig. 2

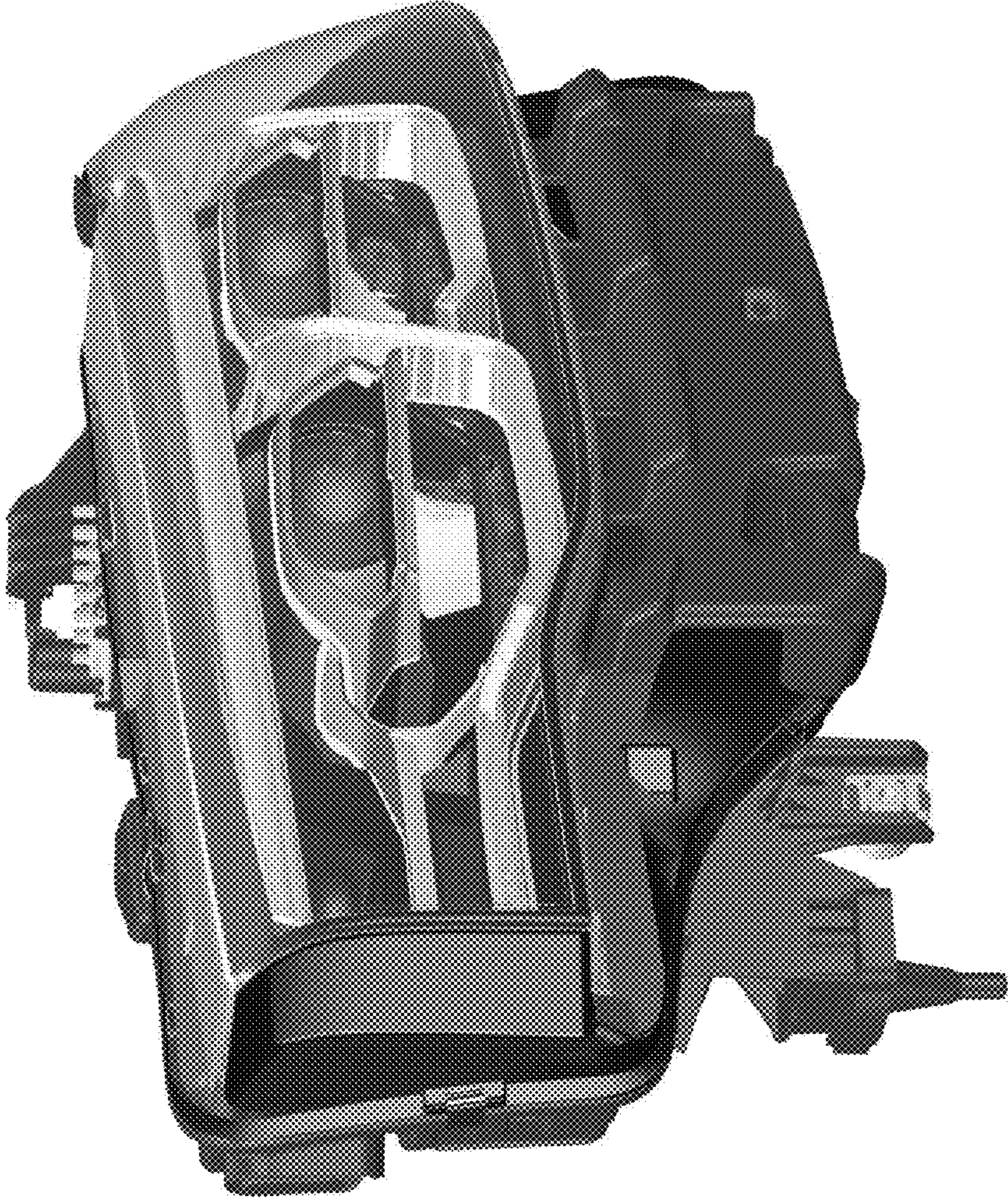


Fig. 3

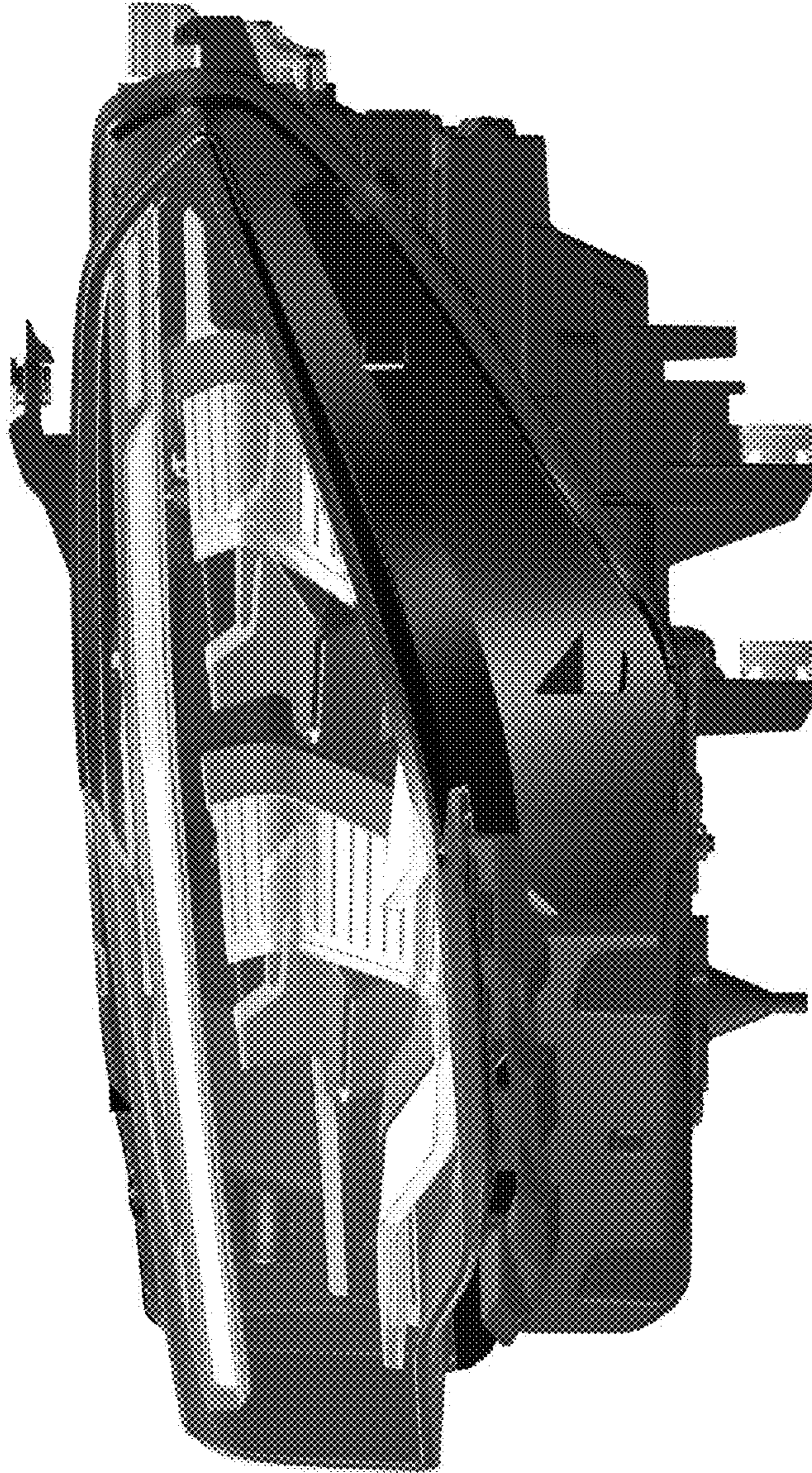


Fig. 4

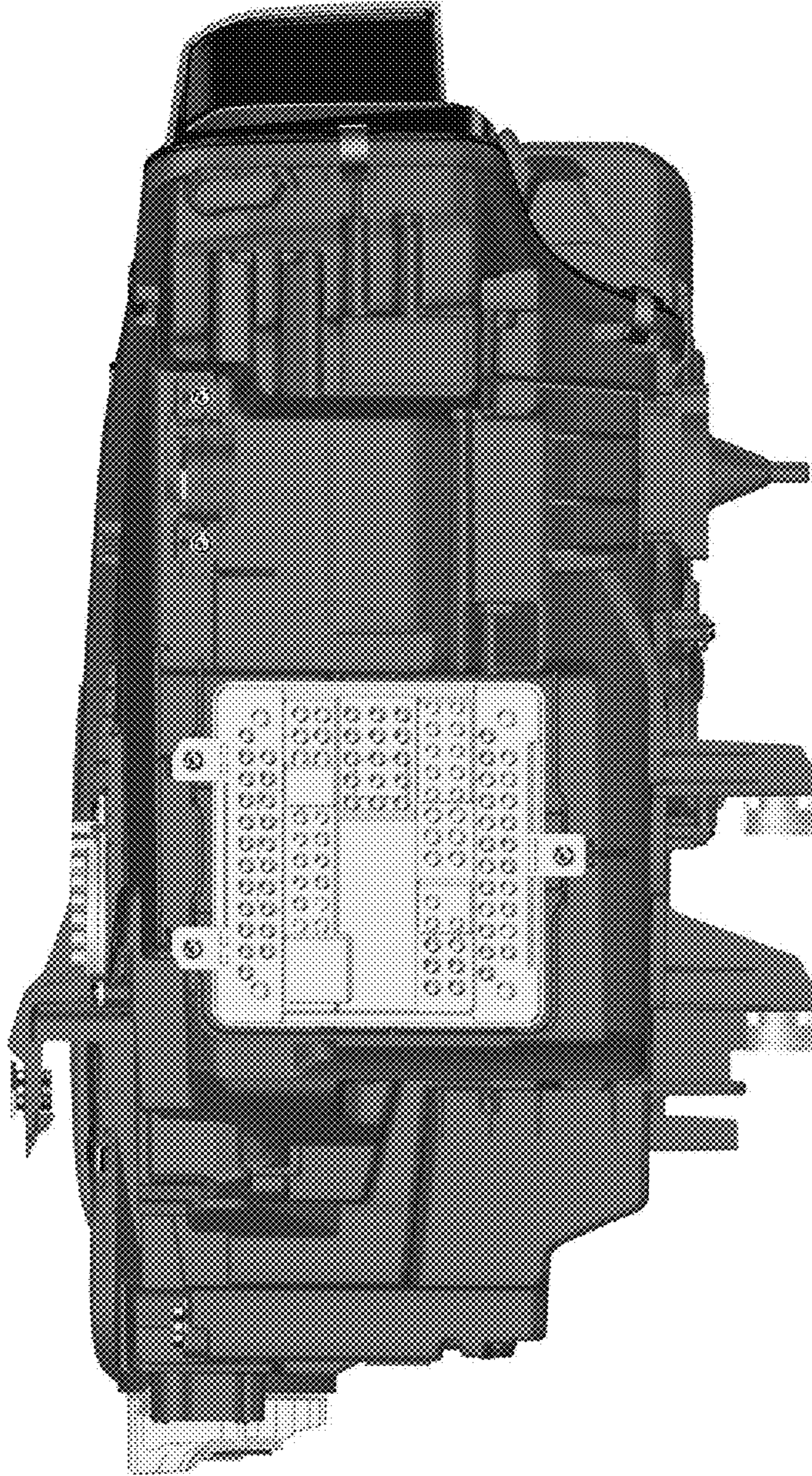


Fig. 5

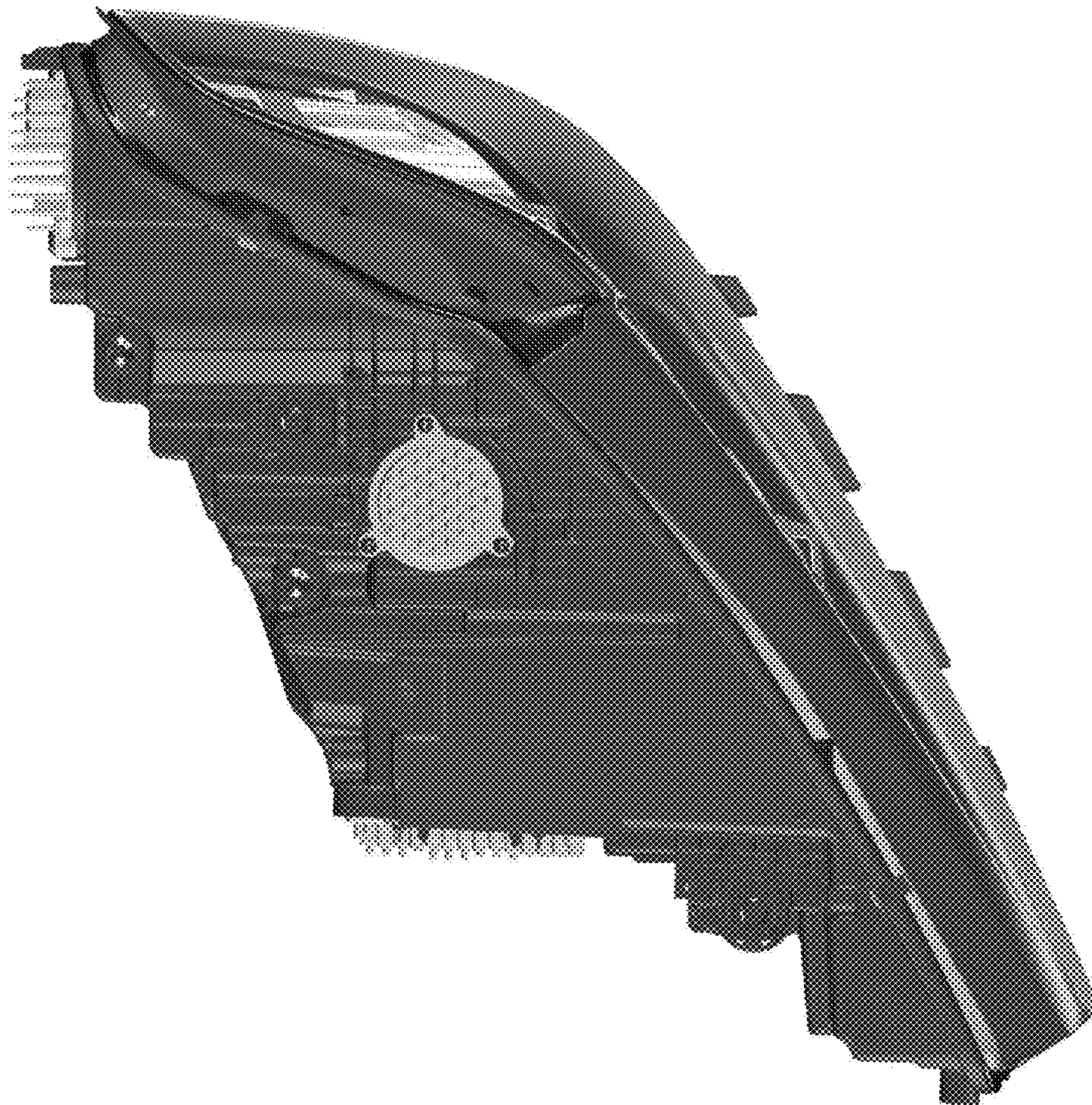


Fig. 6



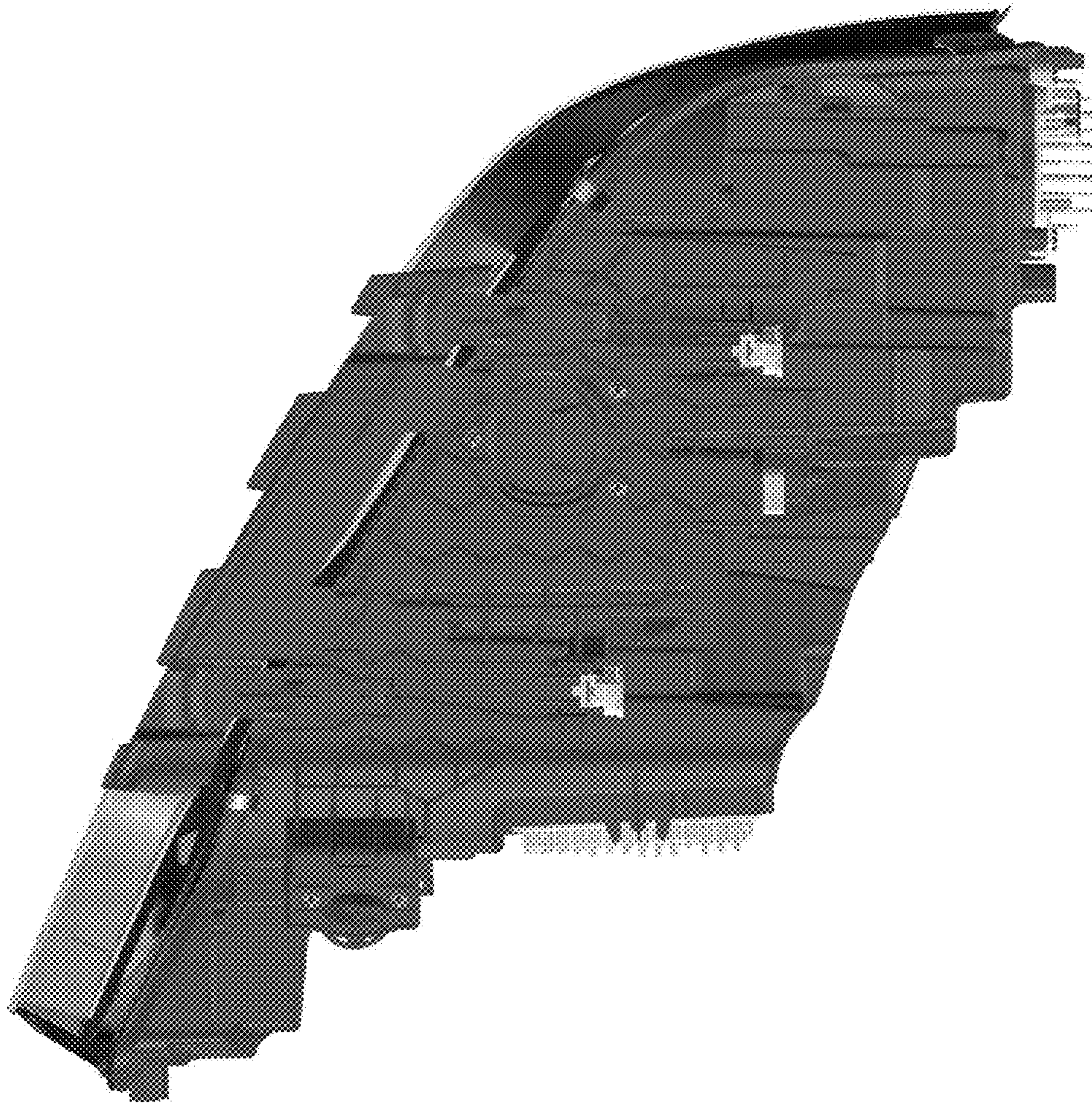


Fig. 7

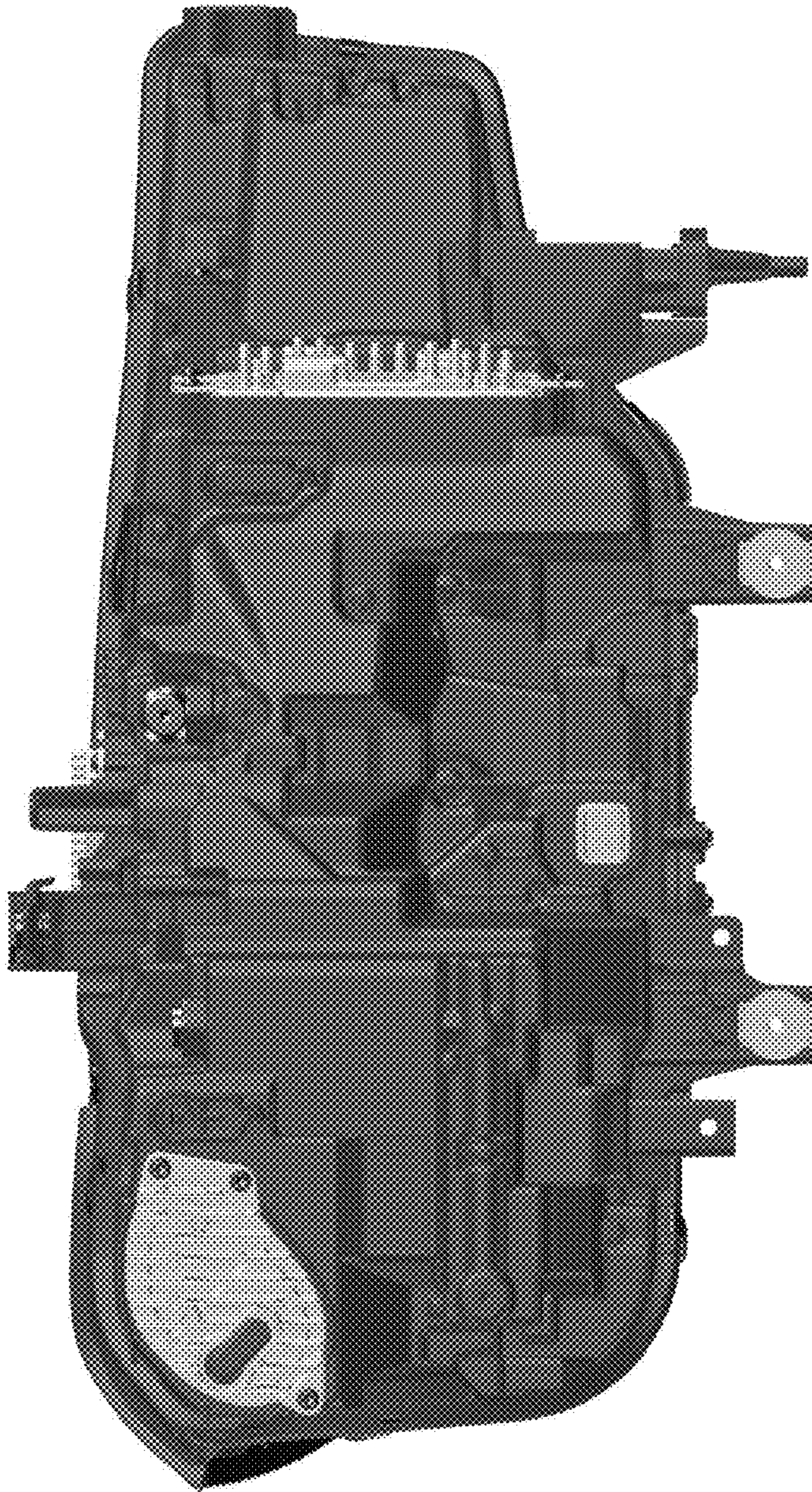


Fig. 8