



US00D870326S

(12) **United States Design Patent** (10) **Patent No.:** **US D870,326 S**  
**Chen** (45) **Date of Patent:** **\*\* Dec. 17, 2019**

(54) **LED NIGHT LIGHT**  
(71) Applicant: **Huaxin Chen**, Longyan (CN)  
(72) Inventor: **Huaxin Chen**, Longyan (CN)  
(\*\*) Term: **15 Years**  
(21) Appl. No.: **29/672,948**  
(22) Filed: **Dec. 11, 2018**  
(51) **LOC (12) Cl.** ..... **26-05**  
(52) **U.S. Cl.**  
USPC ..... **D26/26**  
(58) **Field of Classification Search**  
USPC ..... D26/26, 24, 113, 118, 119, 120;  
D23/366, 367, 369; 362/640-644,  
362/650-653, 659  
CPC ..... F21S 8/035; F21V 23/06; F21V 23/0442;  
F21W 2121/00; H01R 2103/00  
See application file for complete search history.

D426,657 S \* 6/2000 Joss ..... D26/26  
D534,301 S \* 12/2006 Roland ..... D26/118  
D644,362 S \* 8/2011 Kingston ..... D26/26  
D698,018 S \* 1/2014 Choi ..... D23/366  
D715,468 S \* 10/2014 Dai ..... D26/26  
D806,915 S \* 1/2018 Burke ..... D26/26  
D813,429 S \* 3/2018 Li ..... D26/26  
D818,155 S \* 5/2018 Trice ..... D26/26

\* cited by examiner

*Primary Examiner* — Angela J Lee  
(74) *Attorney, Agent, or Firm* — Zanip

(57) **CLAIM**

The ornamental design for an LED night light, as shown and described.

**DESCRIPTION**

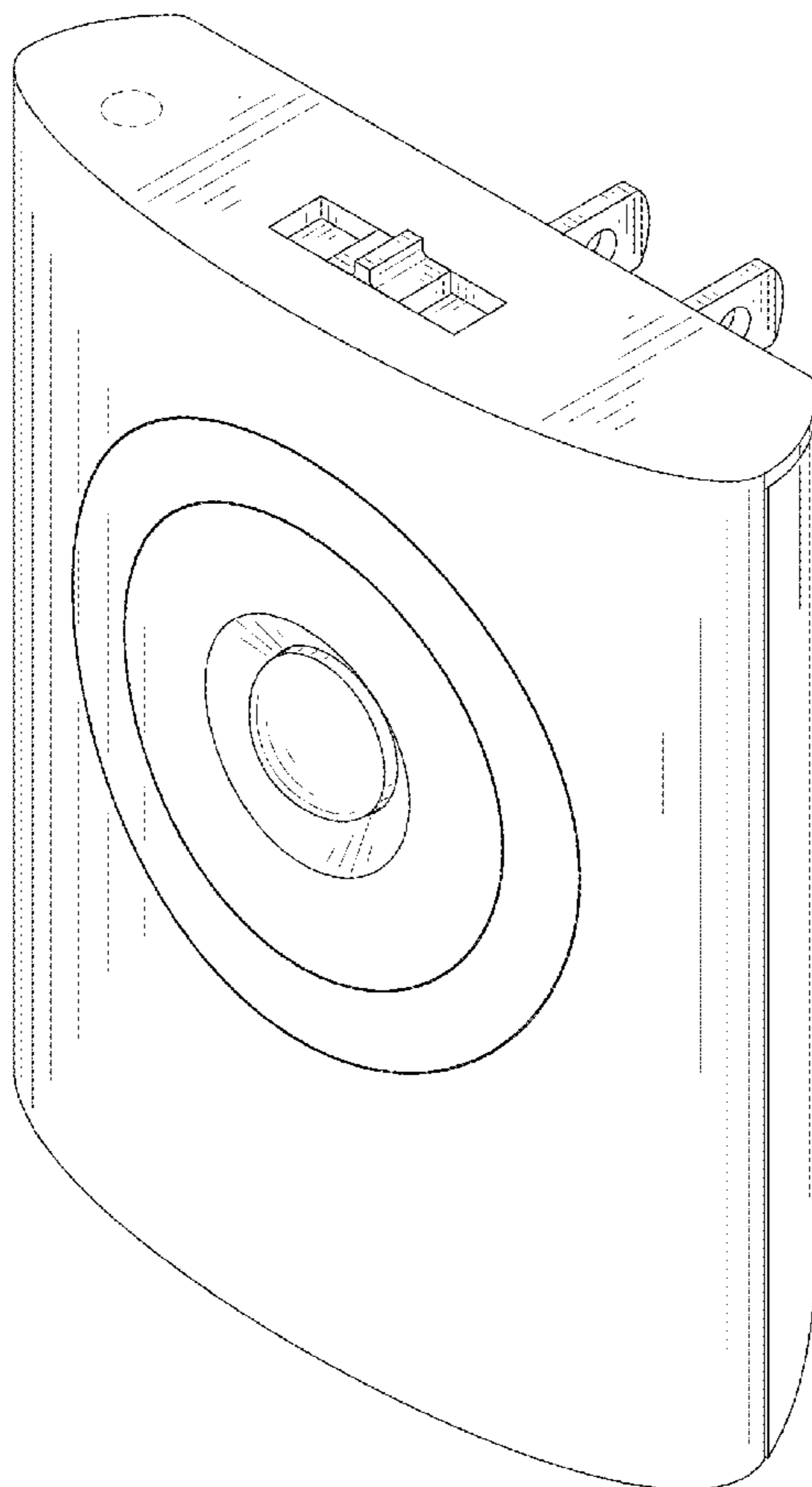
FIG. 1 is a perspective view of an LED night light showing my new design;  
FIG. 2 is another perspective view thereof;  
FIG. 3 is a front elevational view thereof;  
FIG. 4 is a rear elevational view thereof;  
FIG. 5 is a left side elevational view thereof;  
FIG. 6 is a right side elevational view thereof;  
FIG. 7 is a top plan view thereof; and,  
FIG. 8 is a bottom plan view thereof.  
The broken lines illustrate portions of the LED night light that form no part of the claimed design.

**1 Claim, 8 Drawing Sheets**

(56) **References Cited**

U.S. PATENT DOCUMENTS

D366,127 S \* 1/1996 Yuen ..... D26/26  
D376,214 S \* 12/1996 Pinchuk ..... D26/26  
D378,617 S \* 3/1997 Yuen ..... D26/26  
D403,442 S \* 12/1998 Joss ..... D26/26  
D404,508 S \* 1/1999 Marischen ..... D26/26



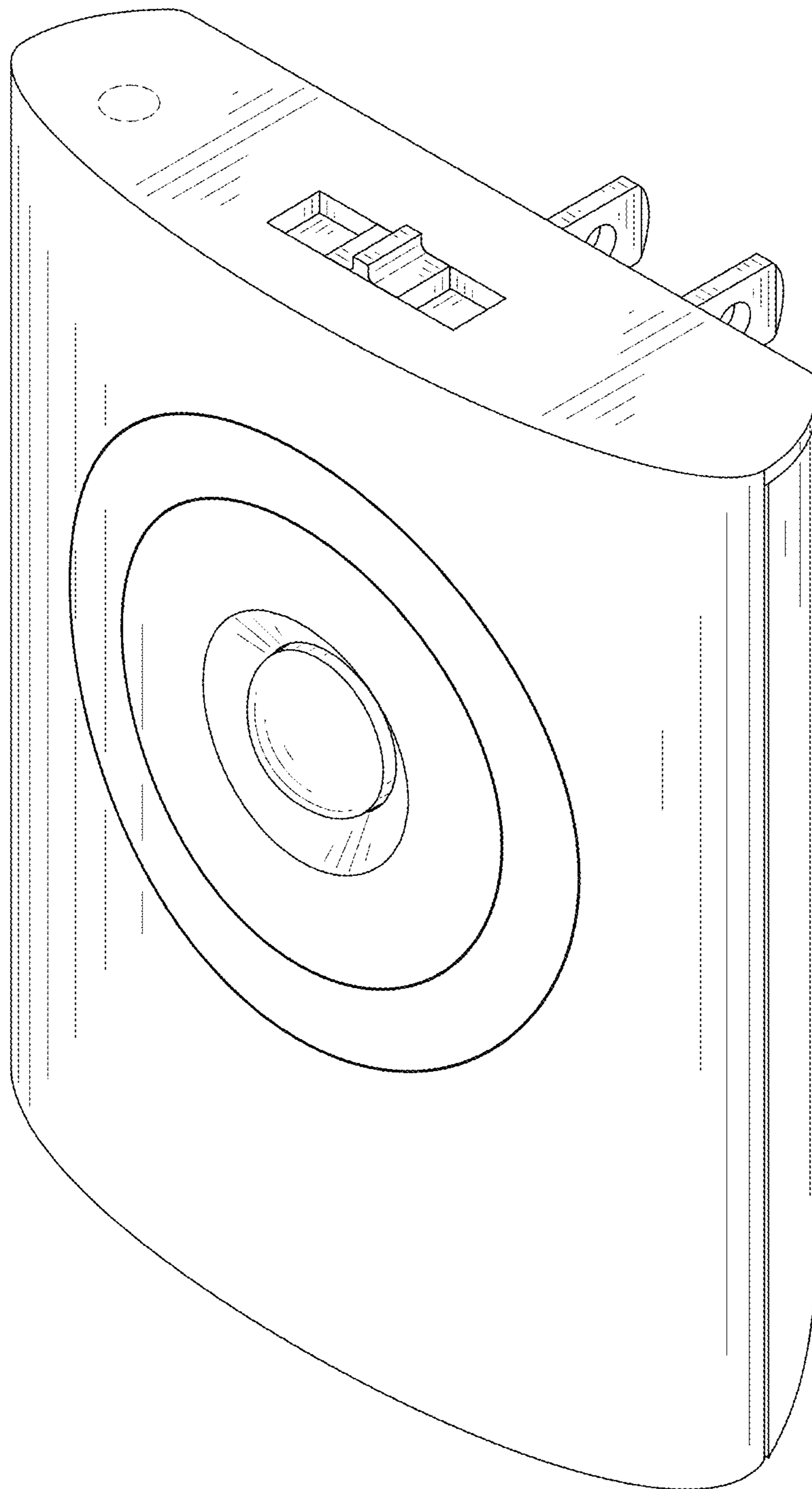


FIG. 1

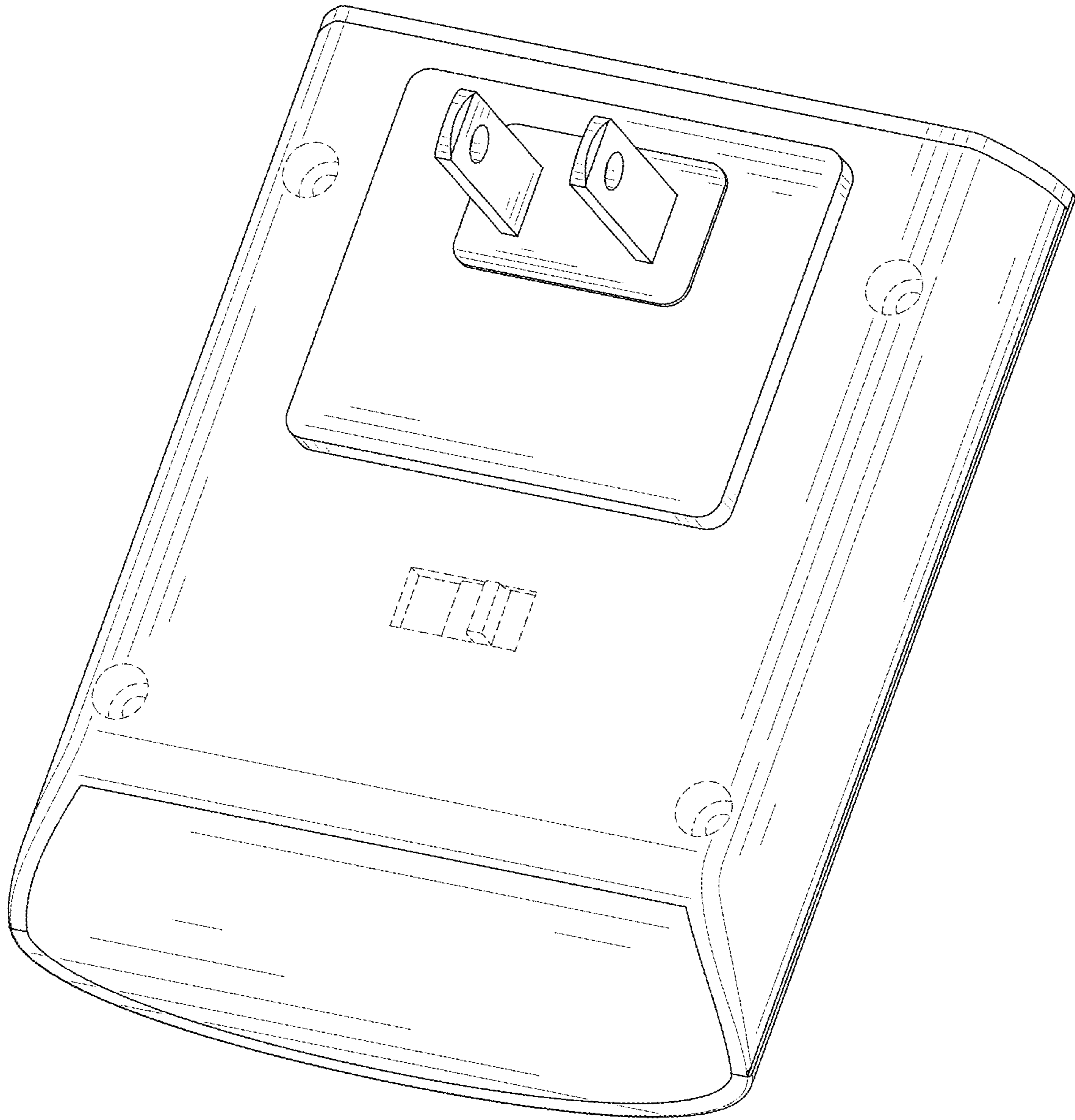


FIG. 2

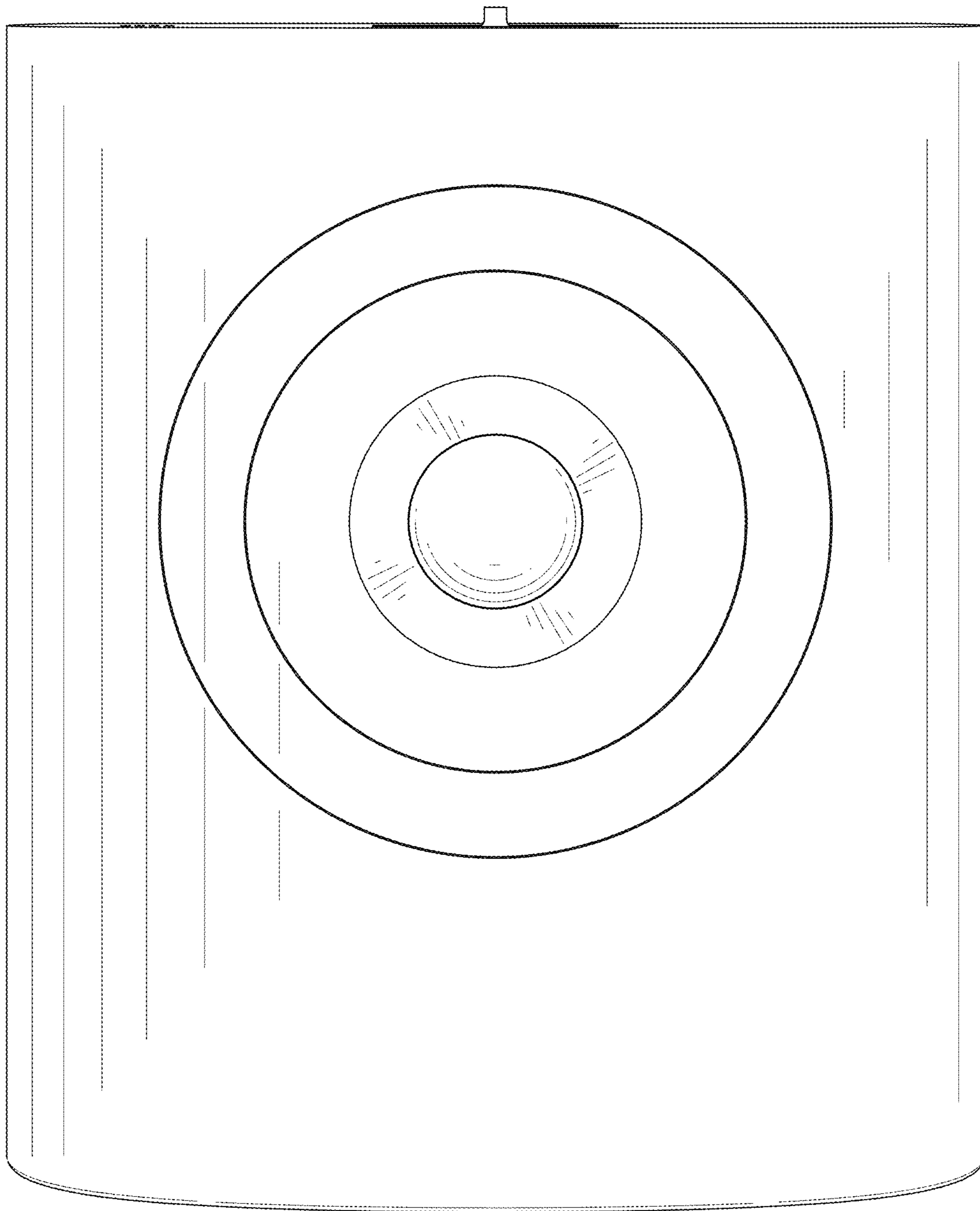


FIG. 3

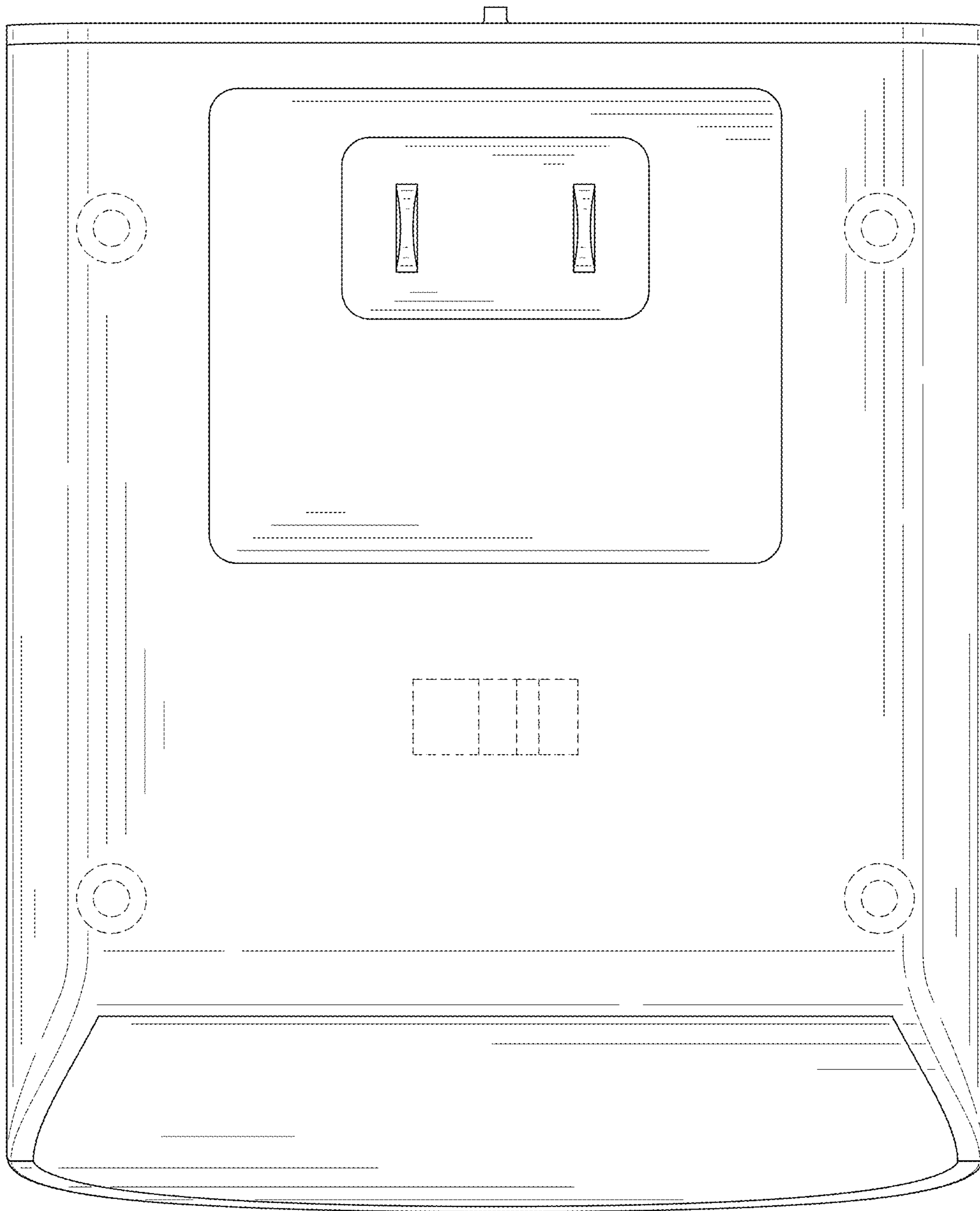


FIG. 4



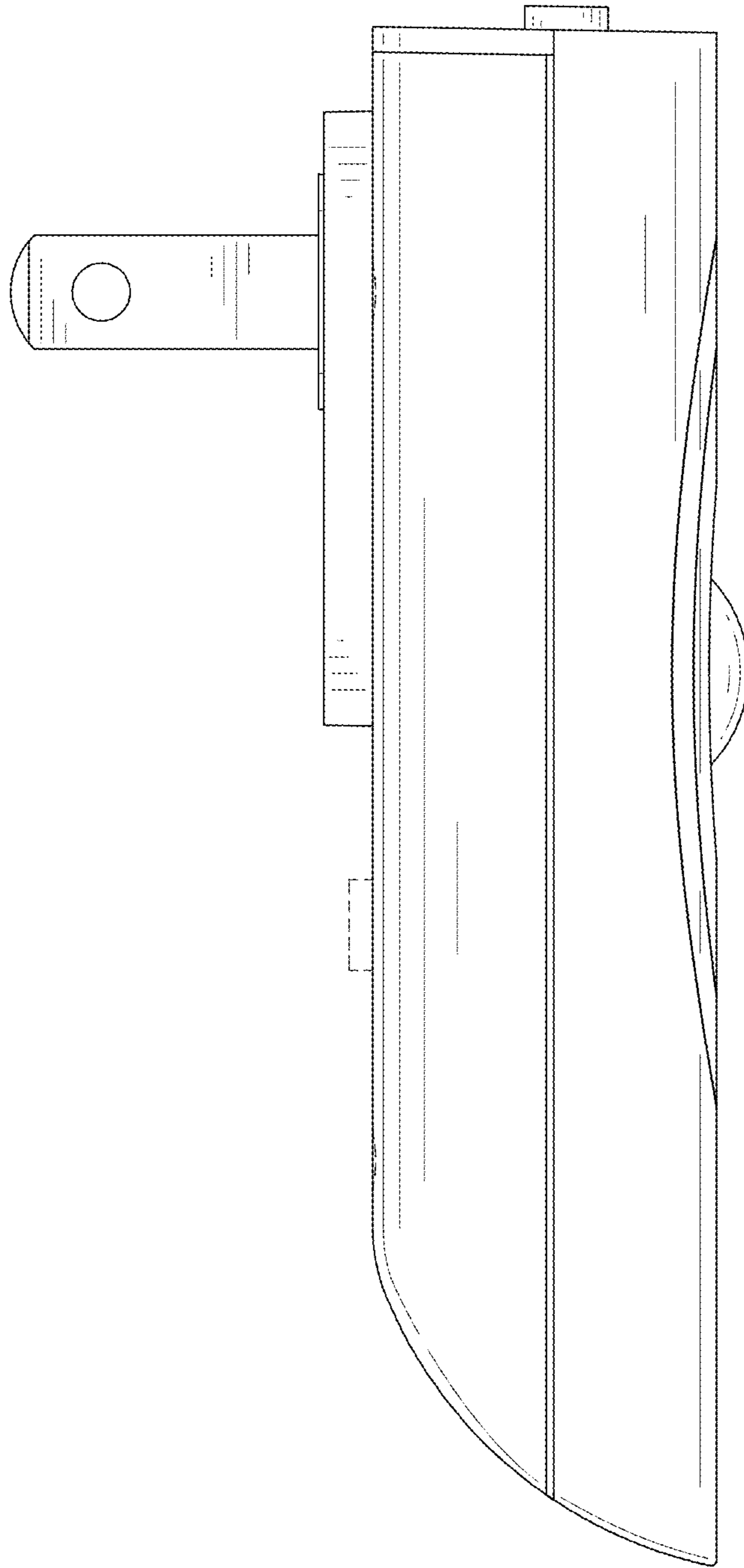


FIG. 5

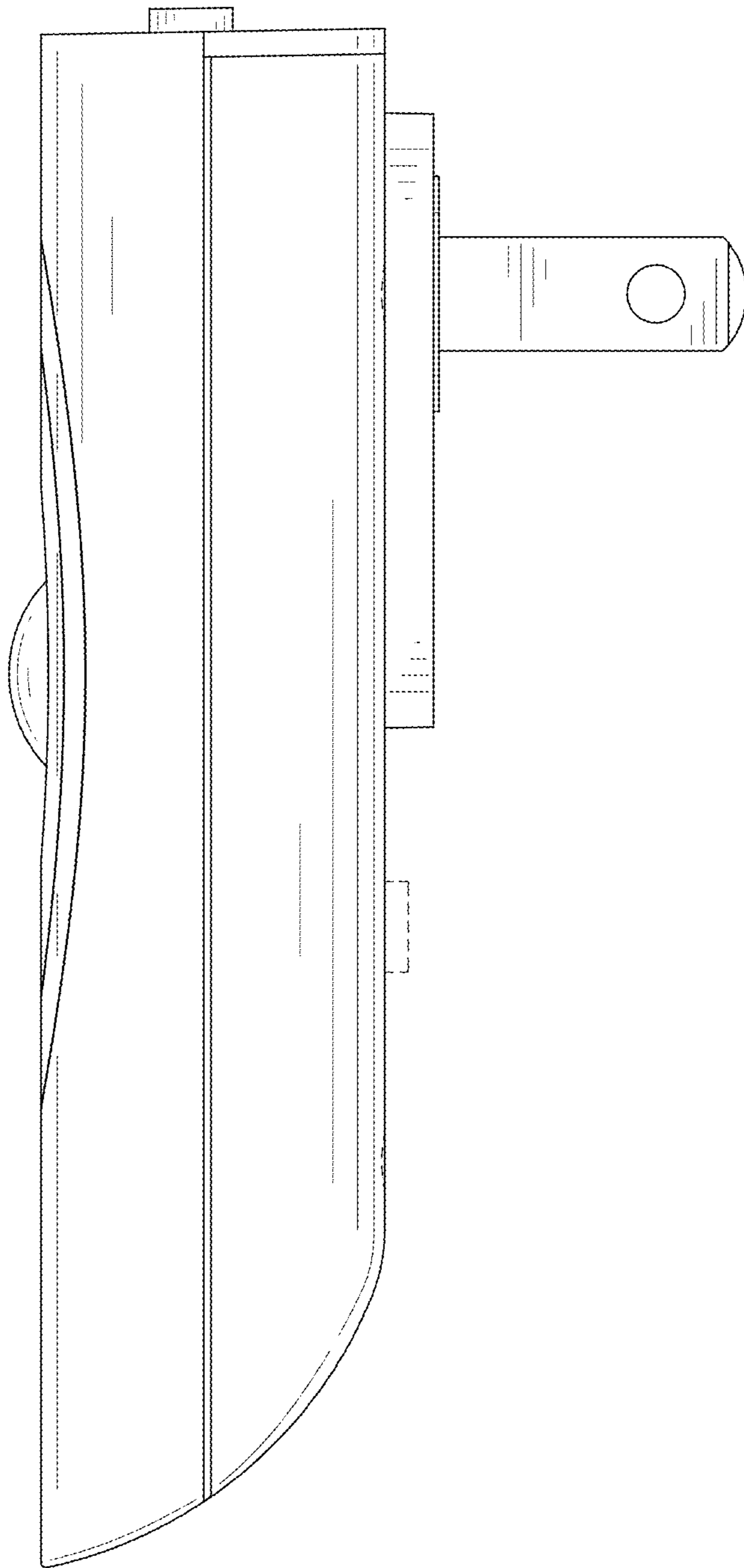


FIG. 6

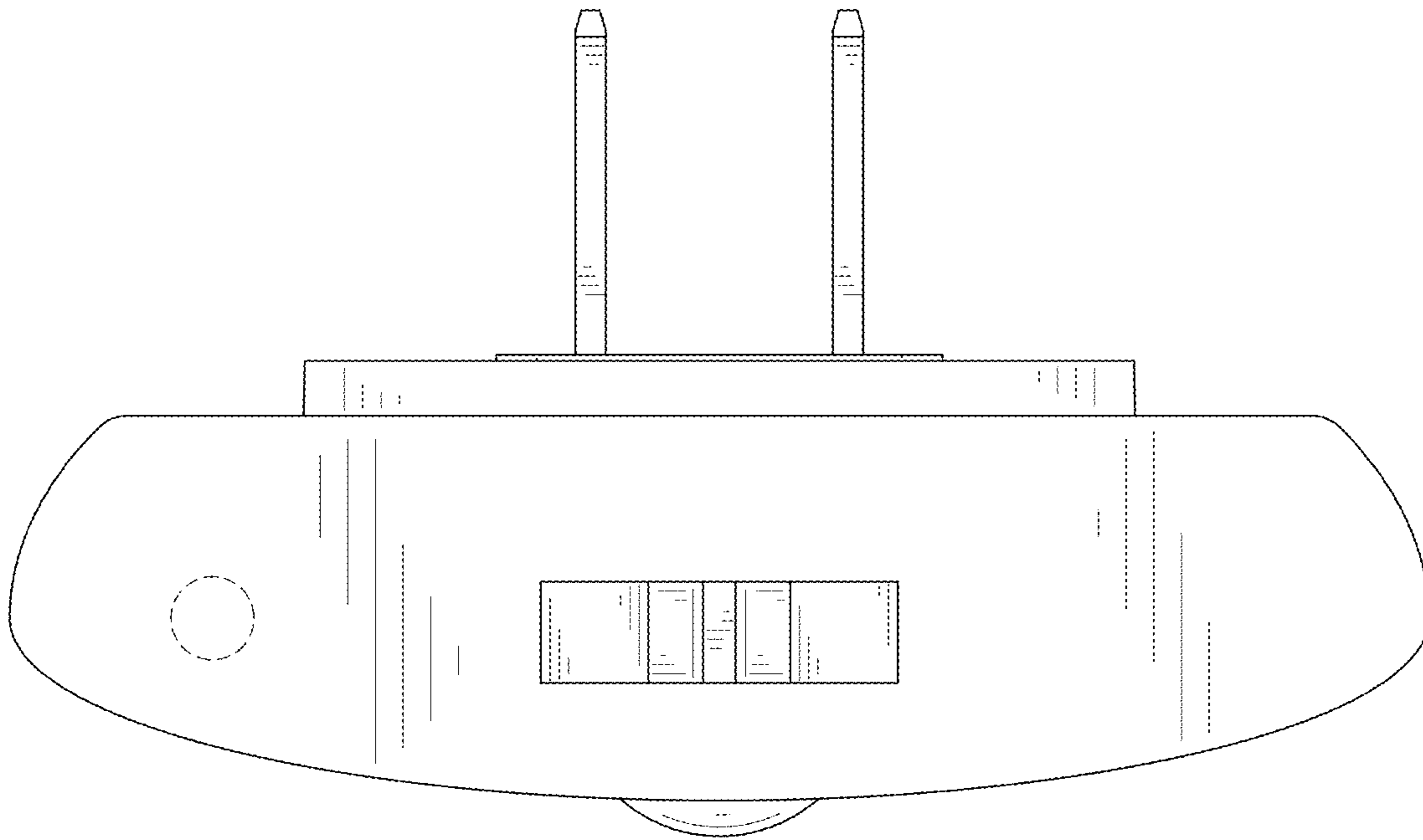


FIG. 7



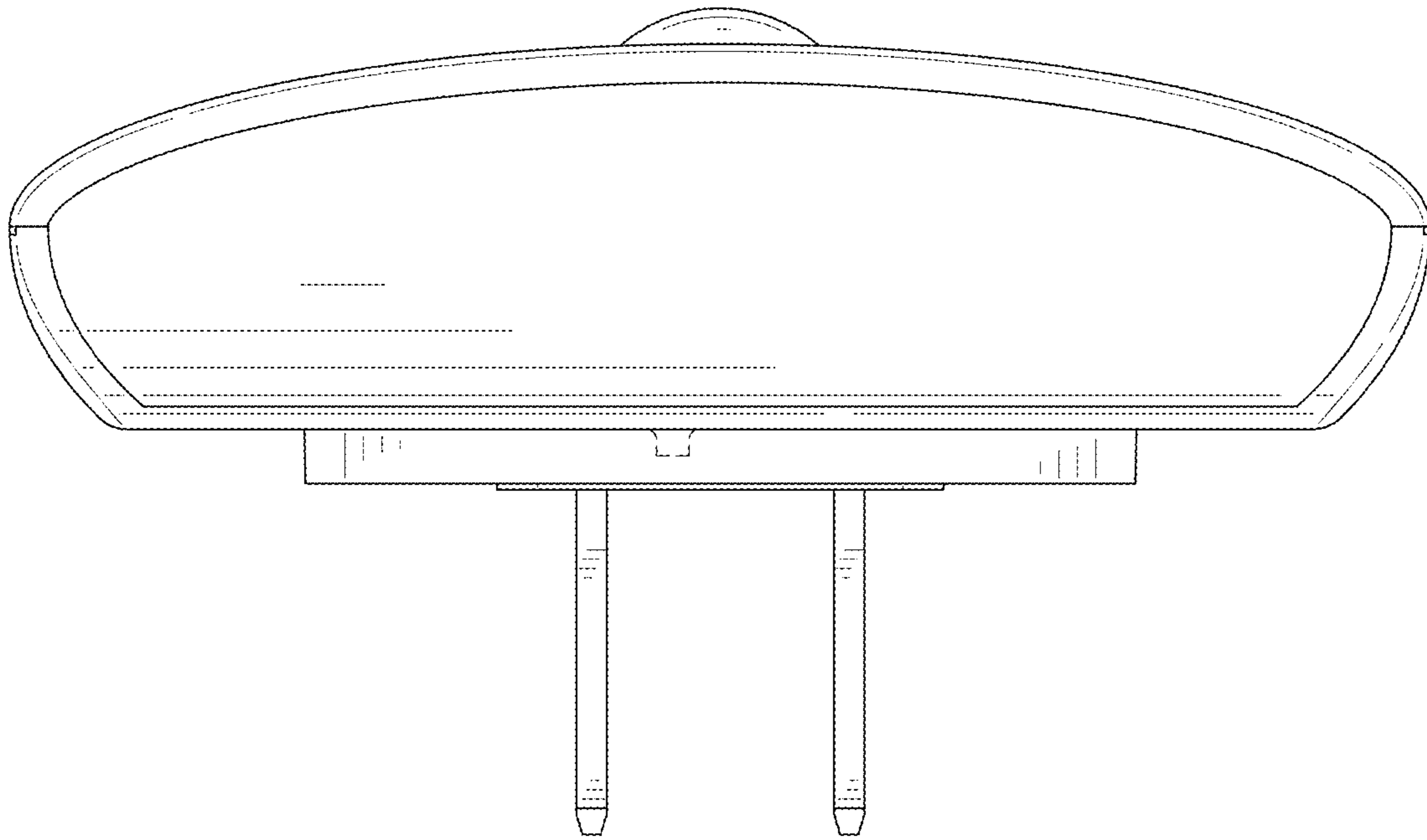


FIG. 8