



US00D870325S

(12) **United States Design Patent**  
**Zheng**

(10) **Patent No.:** **US D870,325 S**

(45) **Date of Patent:** **\*\* Dec. 17, 2019**

(54) **LED NIGHT LIGHT WITH DUSK TO DAWN**

(71) Applicant: **Lin Zheng**, Fuzhou (CN)

(72) Inventor: **Lin Zheng**, Fuzhou (CN)

(\*\*) Term: **15 Years**

(21) Appl. No.: **29/644,746**

(22) Filed: **Apr. 20, 2018**

(51) **LOC (12) Cl.** ..... **26-03**

(52) **U.S. Cl.**  
USPC ..... **D26/24**

(58) **Field of Classification Search**  
USPC ..... D26/1, 24, 36, 40, 72, 81, 83, 118, 123,  
D26/124, 128, 137; D10/104.1, 114.1,  
D10/114.2, 106.1; D24/187  
CPC ..... F21V 1/00; F21V 1/02; F21V 1/04; F21V  
1/14; F21V 3/00; F21V 3/02; F21V 5/00;  
F21V 5/002; F21V 15/00; F21V 15/01;  
F21V 15/02; F21V 21/02; F21K 9/23;  
F21K 9/232; F21K 9/237; F21S 9/022;  
F21S 9/024; F21S 6/00; F21S 6/002;  
F21S 8/02; F21S 8/03; F21S 8/04; F21S  
8/003; F21S 8/033; F21S 8/036  
See application file for complete search history.

(56) **References Cited**

**U.S. PATENT DOCUMENTS**

D247,665 S *	4/1978	Larsen	.....	D10/106.1
D426,250 S *	6/2000	Lefkowitz	.....	396/427
D481,822 S *	11/2003	Wang	.....	D26/72
D549,385 S *	8/2007	Lissoni	.....	D26/89
D583,967 S *	12/2008	Leunis	.....	D26/24
D585,580 S *	1/2009	Riffel	.....	D26/72
D633,231 S *	2/2011	Morrison	.....	D26/24

D647,227 S *	10/2011	Kaule	.....	D26/24
D678,100 S *	3/2013	Hwang	.....	D10/114.1
D684,269 S *	6/2013	Wang	.....	D24/209
D727,552 S *	4/2015	Stolte	.....	D26/89
D736,449 S *	8/2015	Getty	.....	D26/110
D742,041 S *	10/2015	Garcia	.....	D26/110
D759,877 S *	6/2016	Hewitt	.....	D26/89
D764,079 S *	8/2016	Wu	.....	D26/24
9,541,270 B2 *	1/2017	Van Winkle	.....	F21V 3/0625
D786,112 S *	5/2017	Kucala	.....	D10/106.1
D803,410 S *	11/2017	Im	.....	D24/187
D810,952 S *	2/2018	Hsu	.....	D24/200
D814,096 S *	3/2018	Hewitt	.....	D26/89
9,970,647 B2 *	5/2018	Kim	.....	F21K 9/00
2010/0172143 A1 *	7/2010	Cunius	.....	F21S 8/04 362/373
2017/0184260 A1 *	6/2017	Munoz Abogabir	.....	F21L 4/08

\* cited by examiner

*Primary Examiner* — Wan Laymon

*Assistant Examiner* — Clint A Samuel

(74) *Attorney, Agent, or Firm* — Erson IP (Nelson IP)

(57) **CLAIM**

The ornamental design for an LED night light with dusk to dawn, shown and described.

**DESCRIPTION**

FIG. 1 is a perspective view for an LED night light with dusk to dawn;

FIG. 2 is a front view thereof;

FIG. 3 is a back view thereof;

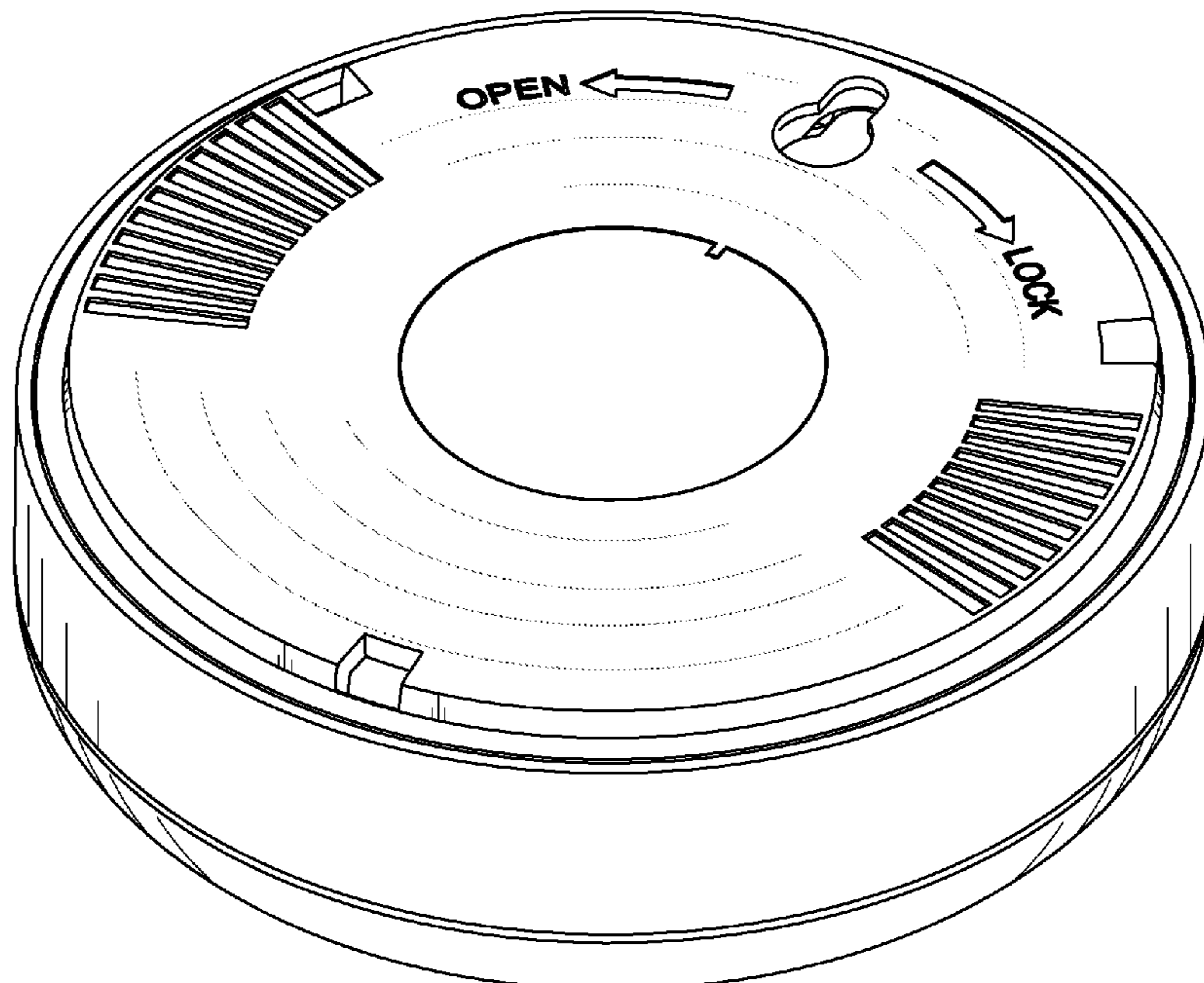
FIG. 4 is a left side view thereof;

FIG. 5 is a right side view thereof;

FIG. 6 is a top plan view thereof; and,

FIG. 7 is a bottom plan view thereof.

**1 Claim, 7 Drawing Sheets**



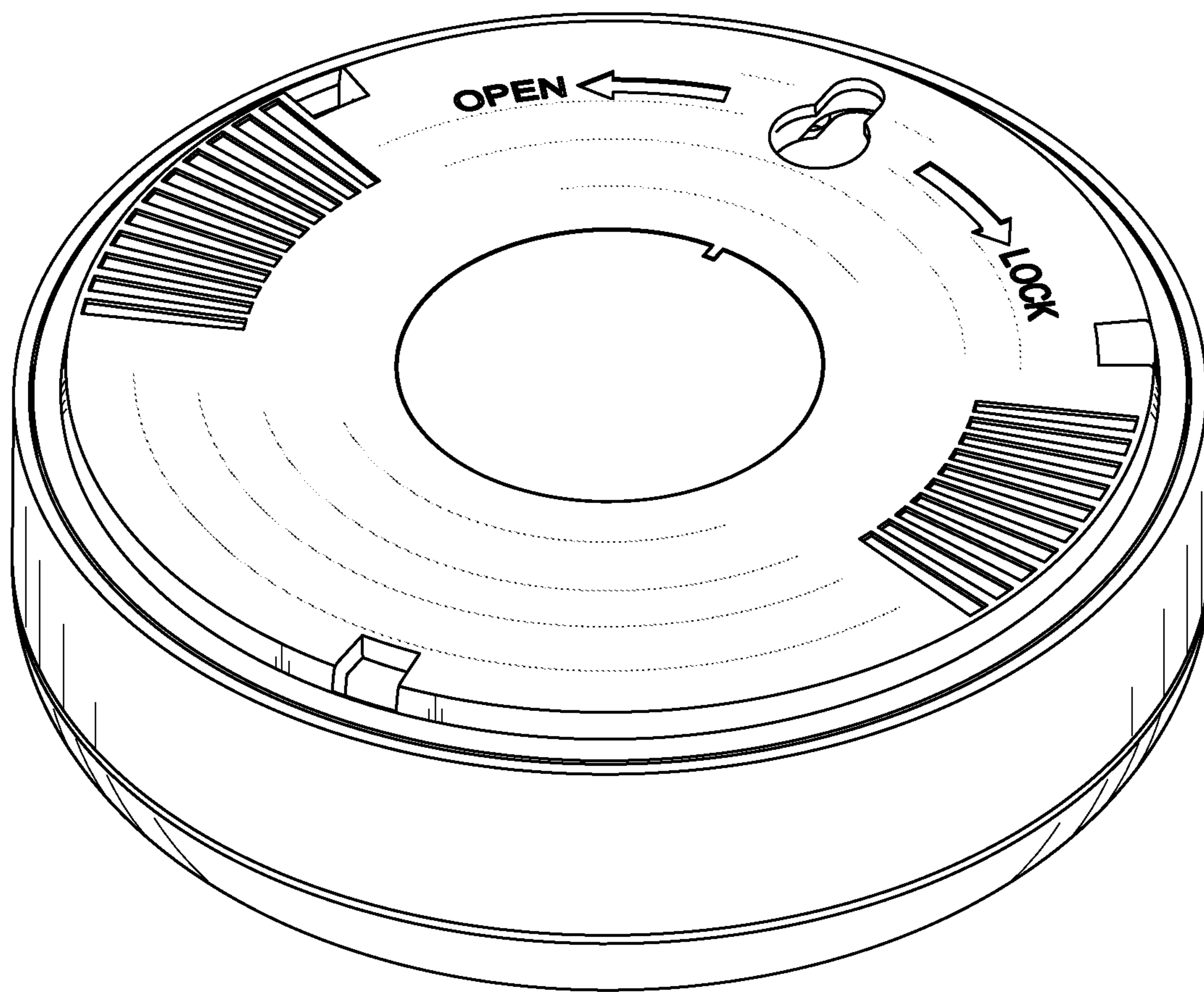
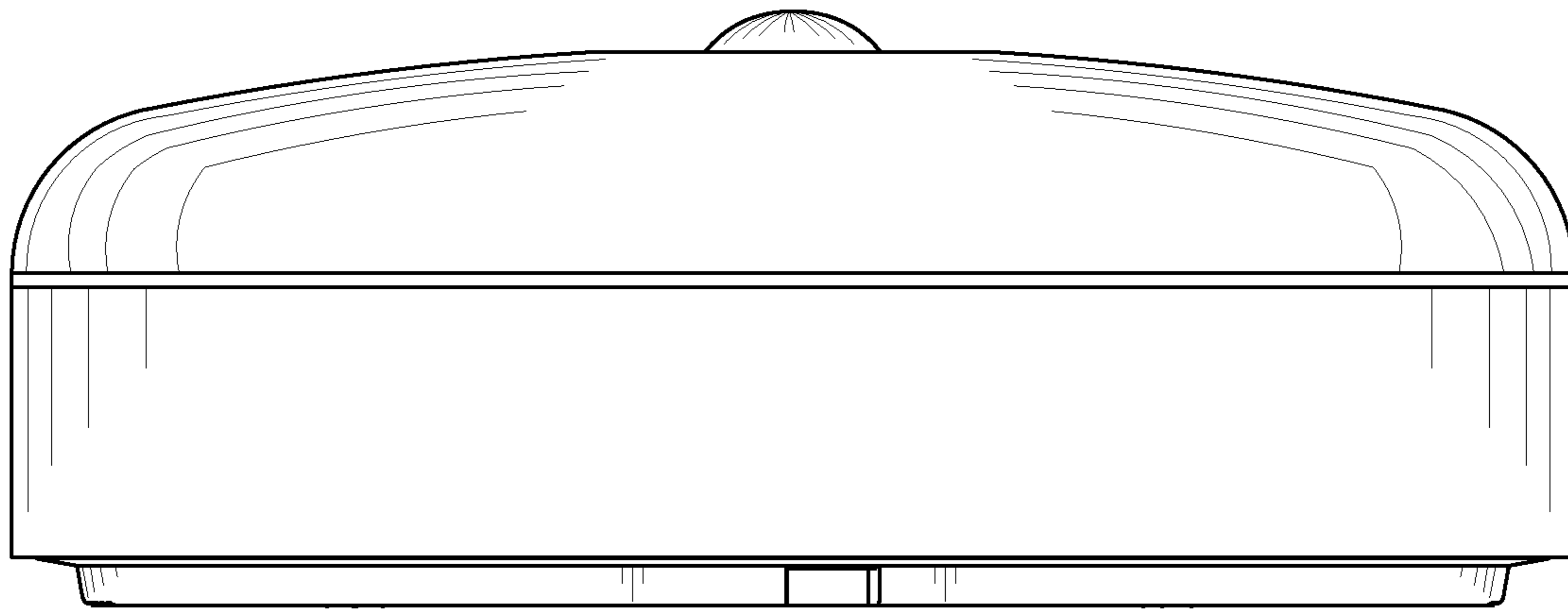
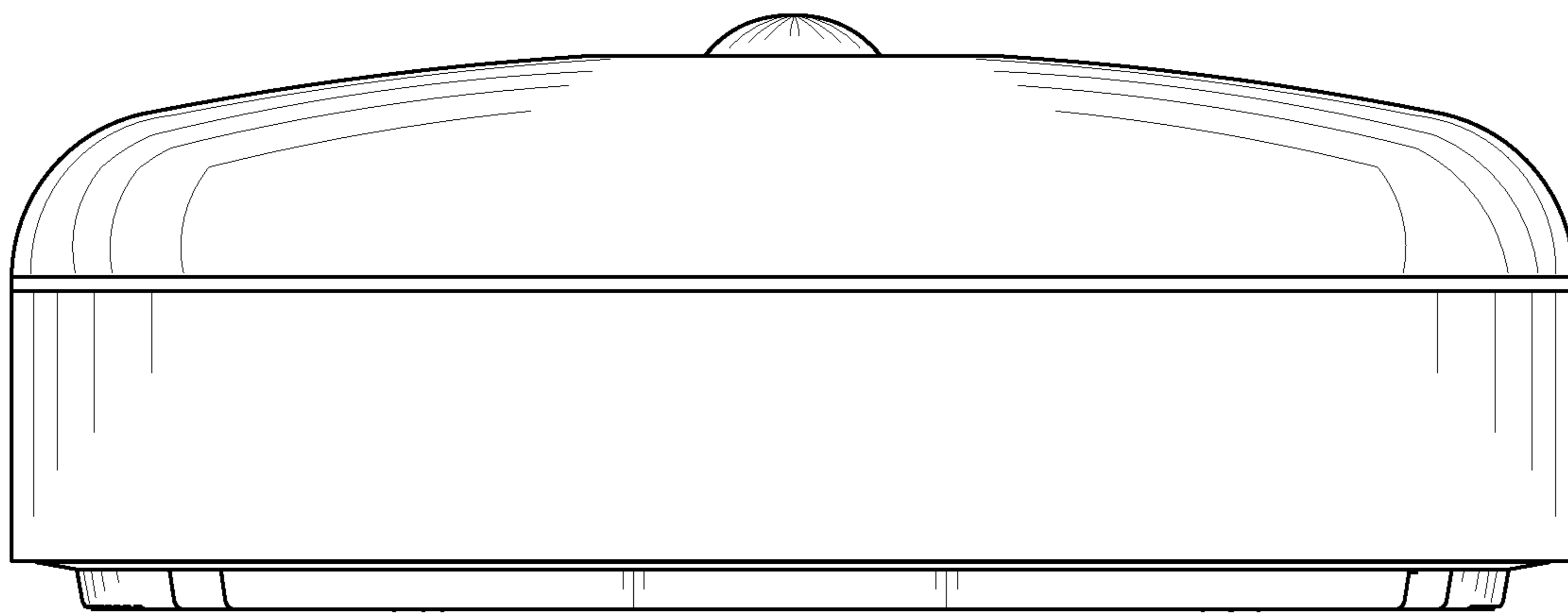


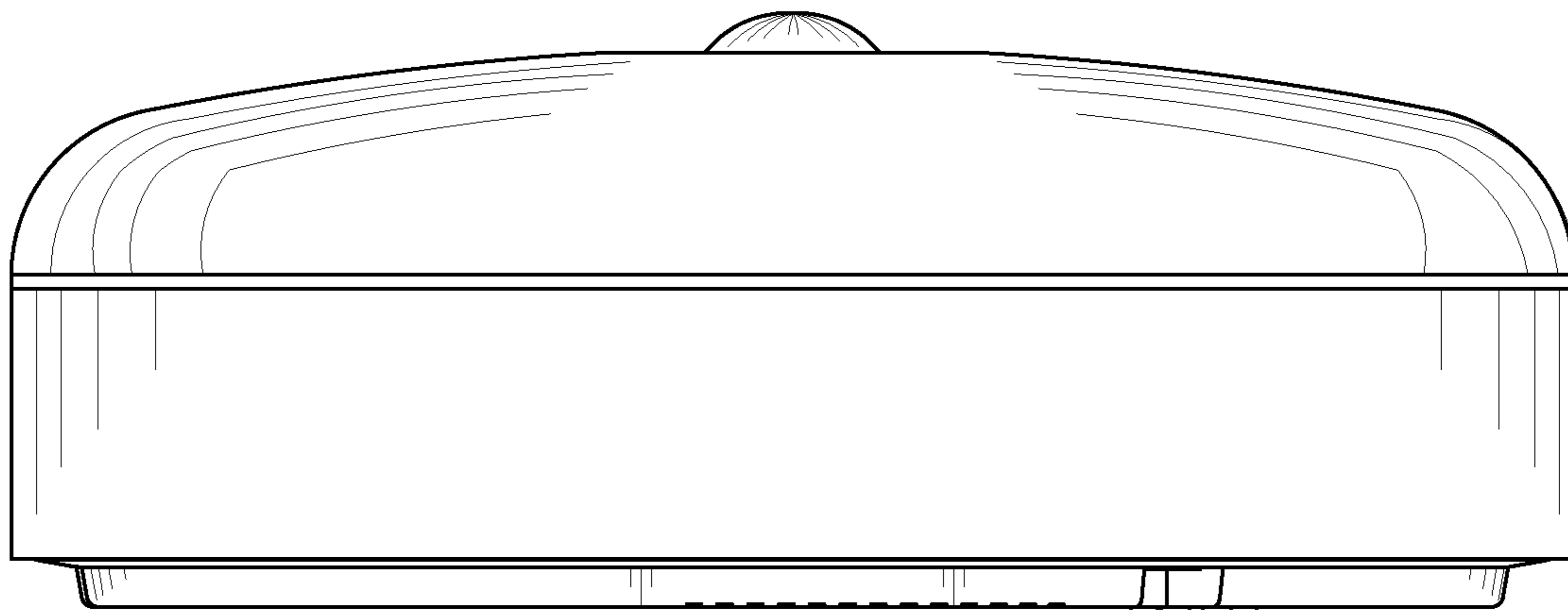
FIG. 1



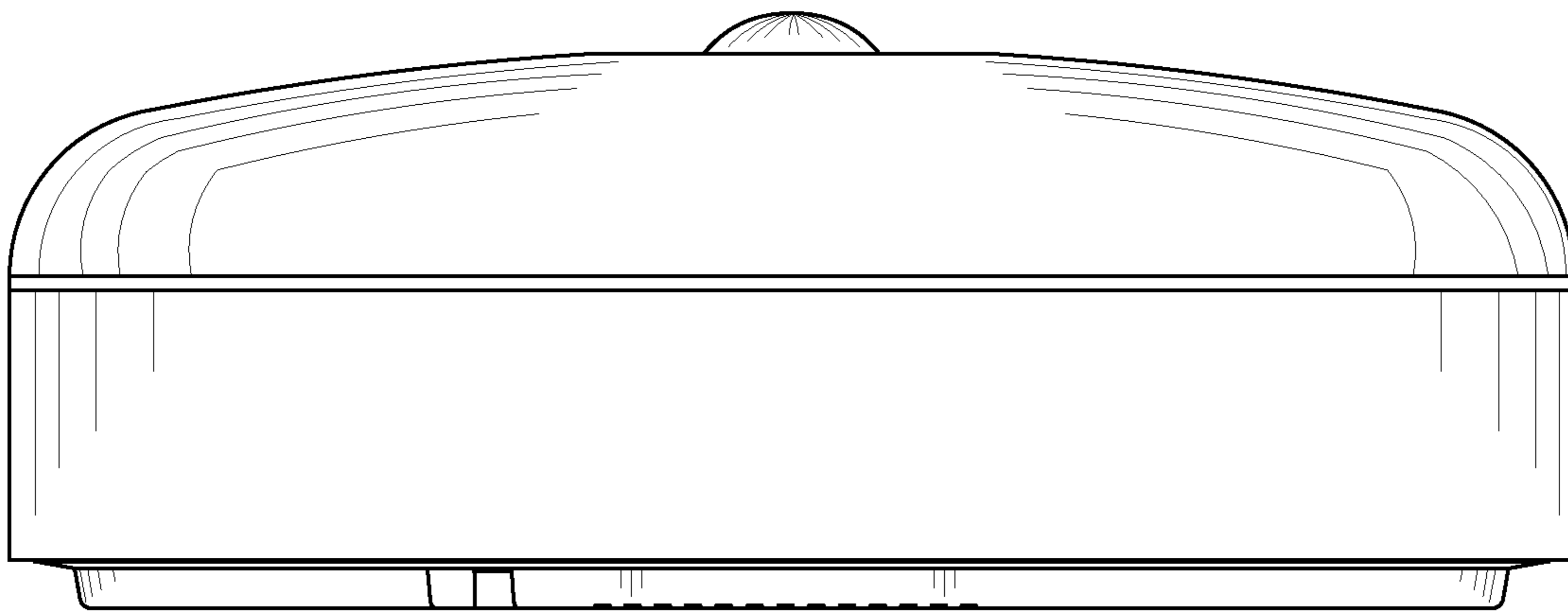
**FIG. 2**



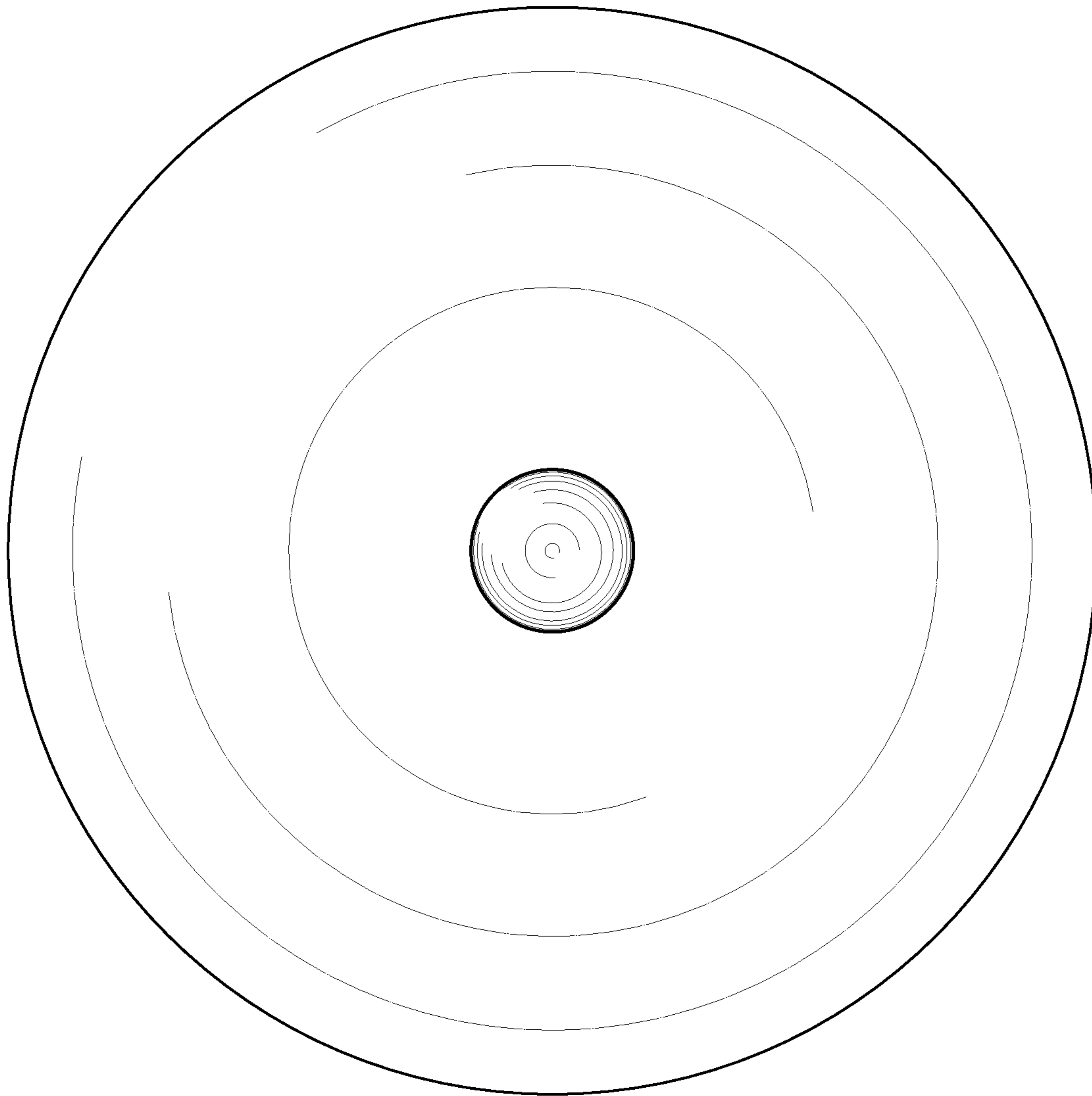
**FIG. 3**



**FIG. 4**



**FIG. 5**



**FIG. 6**

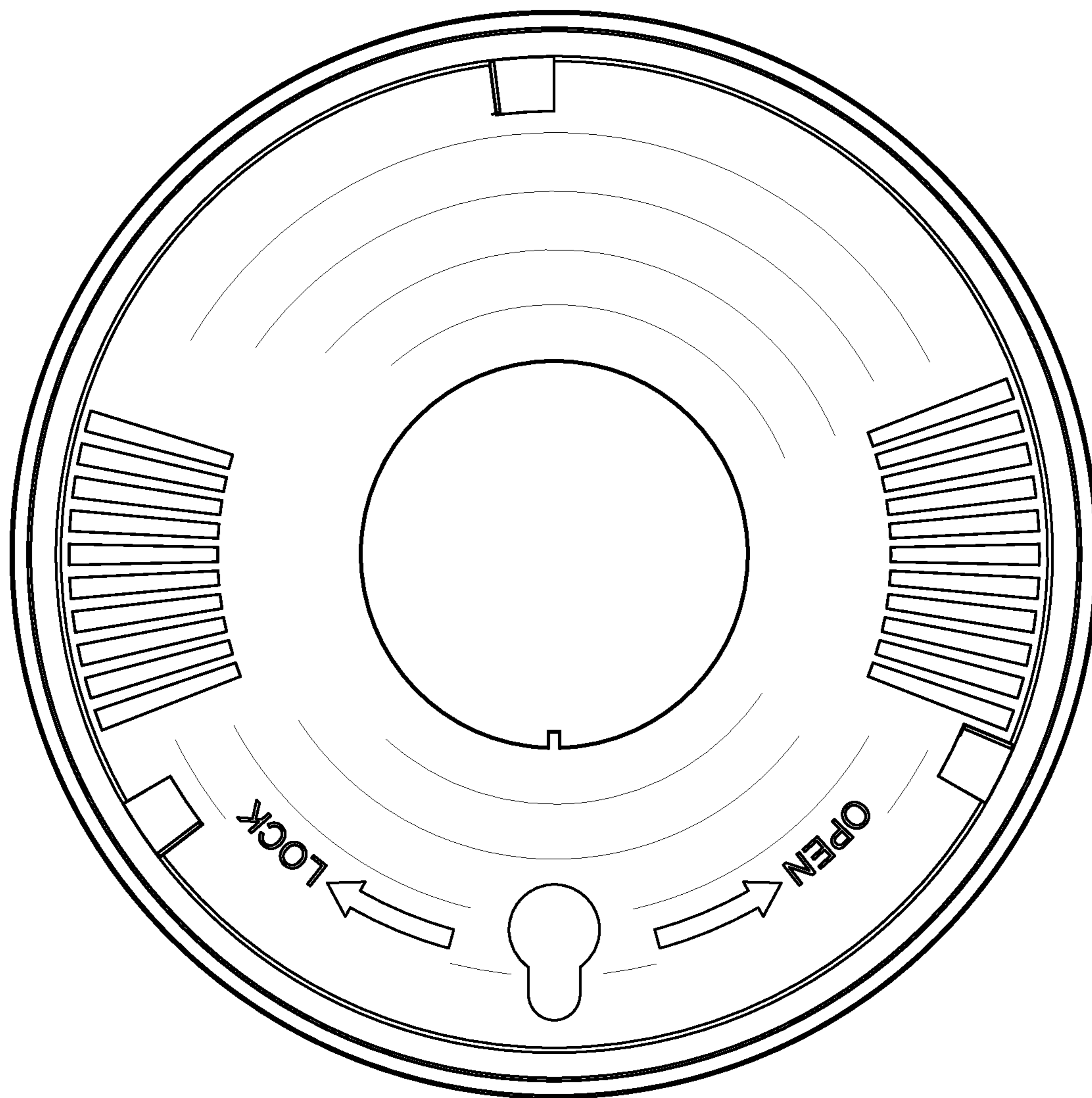


FIG. 7