



US00D870321S

(12) **United States Design Patent**  
**Freiborg**

(10) **Patent No.:** **US D870,321 S**  
(45) **Date of Patent:** **\*\* Dec. 17, 2019**

(54) **LAMINATED ROOF SHINGLE**

(71) Applicant: **Mark Freiburg**, Long Beach, CA (US)

(72) Inventor: **Mark Freiburg**, Long Beach, CA (US)

(73) Assignee: **FREIBORG ENTERPRISES, INC.**,  
South Gate, CA (US)

(\*\*) Term: **15 Years**

(21) Appl. No.: **29/608,124**

(22) Filed: **Jun. 19, 2017**

(51) **LOC (12) Cl.** ..... **25-01**

(52) **U.S. Cl.**  
USPC ..... **D25/139**

(58) **Field of Classification Search**  
USPC ..... D25/138-141, 143, 144, 157-163  
(Continued)

(56) **References Cited**

**U.S. PATENT DOCUMENTS**

3,613,328 A 10/1971 Albert, Jr.  
3,624,975 A \* 12/1971 Morgan et al. .... E04D 1/26  
52/105

(Continued)

*Primary Examiner* — Kevin K Rudzinski

*Assistant Examiner* — Kimberly Barnes

(57) **CLAIM**

I claim the ornamental design for a laminated roof shingle,  
as shown and described.

**DESCRIPTION**

FIG. 1 is a perspective view of a laminated roof shingle showing my new design according to a first embodiment. FIG. 2 is a top plan view of the laminated roof shingle showing my new design according to a first embodiment.

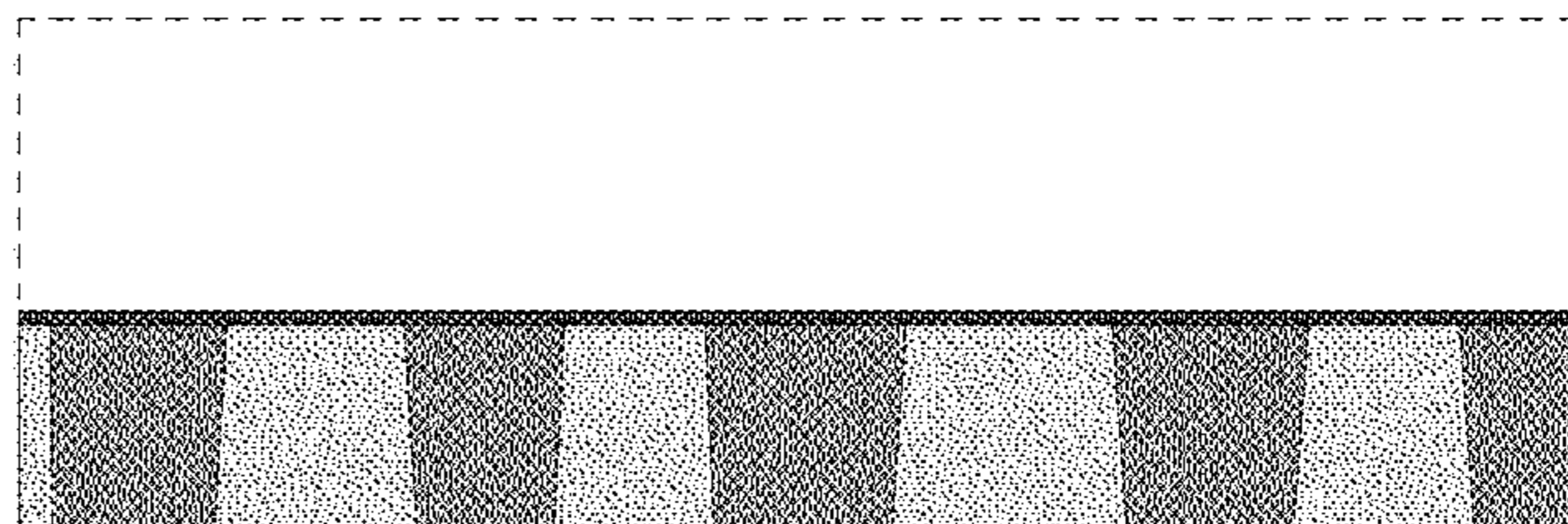
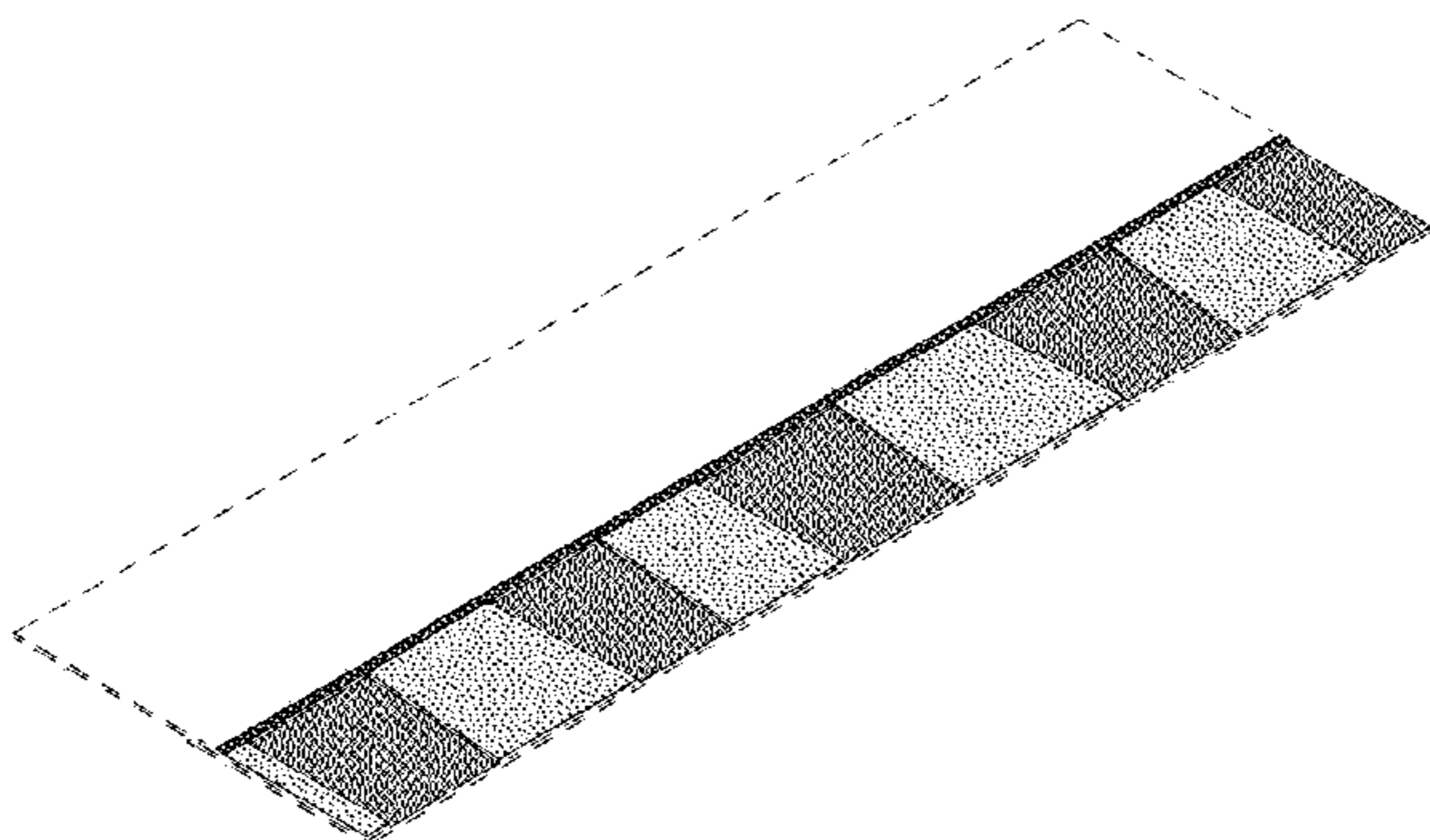
FIG. 3 is a perspective view of a laminated roof shingle showing my new design according to a second embodiment. FIG. 4 is a top plan view of the laminated roof shingle showing my new design according to a second embodiment. FIG. 5 is a perspective view of a laminated roof shingle showing my new design according to a third embodiment. FIG. 6 is a top plan view of the laminated roof shingle showing my new design according to a third embodiment. FIG. 7 is a perspective view of a laminated roof shingle showing my new design according to a fourth embodiment. FIG. 8 is a top plan view of the laminated roof shingle showing my new design according to a fourth embodiment. FIG. 9 is a perspective view of a laminated roof shingle showing my new design according to a fifth embodiment. FIG. 10 is a top plan view of the laminated roof shingle showing my new design according to a fifth embodiment. FIG. 11 is a perspective view of a laminated roof shingle showing my new design according to a sixth embodiment. FIG. 12 is a top plan view of the laminated roof shingle showing my new design according to a sixth embodiment. FIG. 13 is a perspective view of a laminated roof shingle showing my new design according to a seventh embodiment; and, FIG. 14 is a top plan view of the laminated roof shingle showing my new design according to a seventh embodiment.

The bottom and the four sides of the laminated roof shingle, shown in broken lines, are unornamented and form no part of the claimed design. The laminated roof shingle is of conventional thickness, exaggerated in the perspective views for ease of illustration.

The stippled areas in the figures indicate granular surfaces of contrasting appearance. My ornamental design is formed with a dark first granular surface that contrasts with a second adjacent granular surface on the same level and a third adjacent granular surface that is recessed.

The remaining broken lines in the figures show a portion of the laminated roof shingle that is covered and not visible when the laminated roof shingle is used normally as part of a roof covering and forms no part of the claimed design.

**1 Claim, 7 Drawing Sheets**



(58) **Field of Classification Search**  
 CPC .... E04D 1/00; E04D 1/02; E04D 1/06; E04D  
 1/12; E04D 1/18; E04D 1/26; E04D 3/00;  
 E04D 3/02; E04D 3/16; E04D 1/08;  
 E04D 1/28; E04D 2001/005; E04D  
 2001/3491; E04D 3/35; E04D 7/005;  
 E04D 1/30; E04D 1/36  
 See application file for complete search history.

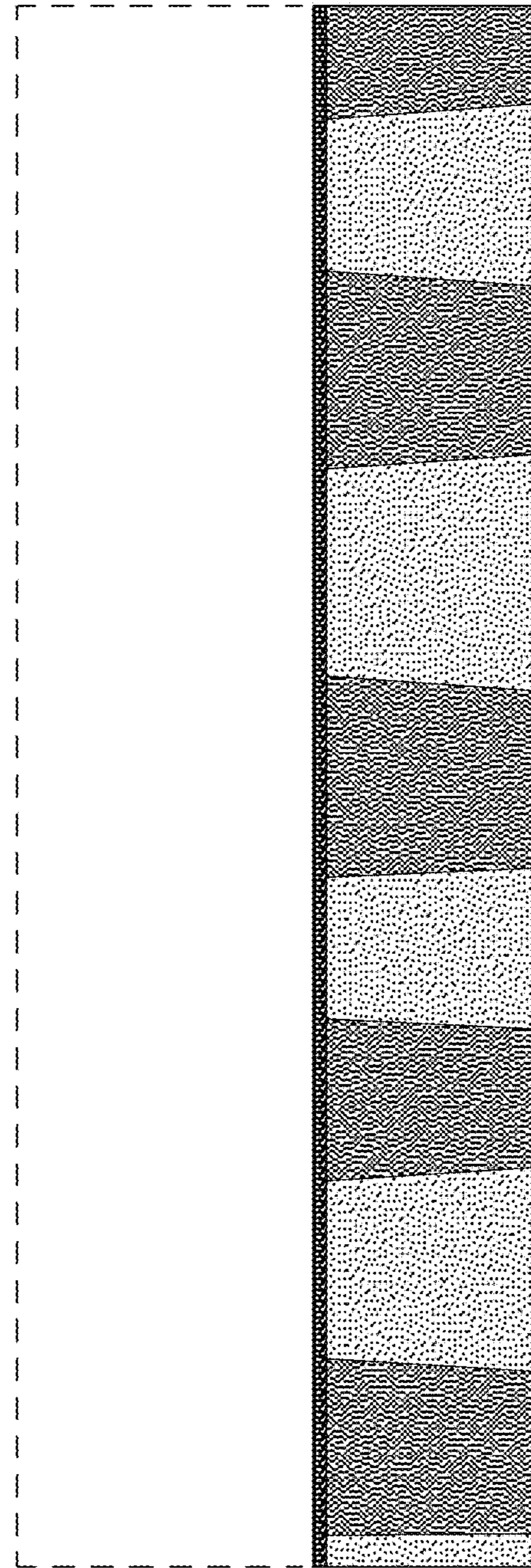
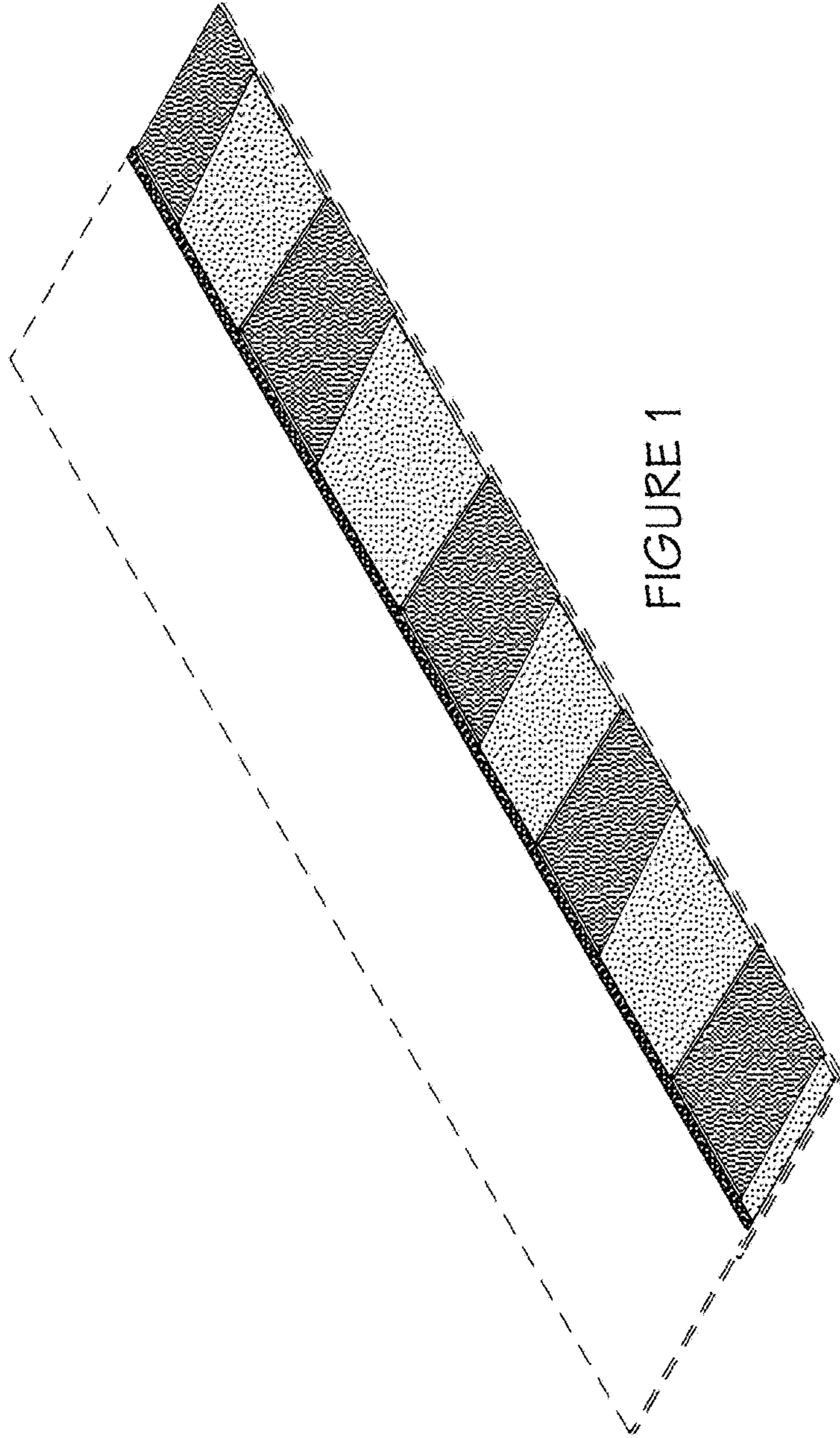
(56) **References Cited**

U.S. PATENT DOCUMENTS

4,233,100 A 11/1980 Cunningham et al.  
 4,274,243 A 6/1981 Corbin et al.  
 4,333,279 A 6/1982 Corbin et al.  
 4,527,374 A 7/1985 Corbin  
 4,717,614 A 1/1988 Bondoc et al.  
 D309,027 S \* 7/1990 Noone ..... D25/139  
 D344,144 S 2/1994 Weaver et al.  
 5,369,929 A 12/1994 Weaver et al.  
 D369,421 S \* 4/1996 Kiik ..... D25/139  
 5,611,186 A 3/1997 Weaver  
 D379,672 S \* 6/1997 Lamb ..... D25/139  
 5,666,776 A 9/1997 Weaver et al.  
 D417,513 S \* 12/1999 Blanpied ..... D25/139  
 6,014,847 A 1/2000 Phillips  
 6,174,403 B1 1/2001 Steiner, Jr. et al.  
 6,190,754 B1 \* 2/2001 Bondoc ..... E04D 1/26  
 156/260  
 D466,629 S 12/2002 Phillips  
 6,708,456 B2 \* 3/2004 Kiik ..... A47G 27/0468  
 428/141  
 7,240,462 B2 7/2007 Elliott et al.

D576,316 S \* 9/2008 Elliott ..... D25/139  
 7,510,622 B2 \* 3/2009 Kalkanoglu ..... B26D 5/34  
 156/278  
 7,833,371 B2 \* 11/2010 Binkley ..... B29C 65/56  
 156/308.2  
 7,877,949 B1 \* 2/2011 Elliott ..... E04D 1/26  
 52/314  
 D644,753 S \* 9/2011 Elliott ..... E04D 1/26  
 D25/139  
 8,438,812 B2 5/2013 King et al.  
 D695,925 S \* 12/2013 Ray ..... D25/143  
 8,623,164 B2 \* 1/2014 Belt ..... B32B 11/02  
 156/260  
 8,776,471 B2 7/2014 Jenkins et al.  
 8,789,332 B1 7/2014 Halliley et al.  
 D750,810 S 3/2016 Buzza  
 9,290,945 B2 \* 3/2016 Beerer ..... E04D 1/28  
 10,174,504 B1 \* 1/2019 Freiborg ..... E04D 1/26  
 10,180,002 B2 \* 1/2019 Freiborg ..... E04D 1/26  
 10,180,003 B2 \* 1/2019 Freiborg ..... E04D 1/26  
 10,196,821 B2 \* 2/2019 Anderson ..... E04D 1/30  
 2004/0055241 A1 \* 3/2004 Railkar ..... E04D 1/26  
 52/555  
 2004/0103611 A1 6/2004 King et al.  
 2006/0059834 A1 3/2006 Elliott et al.  
 2006/0179767 A1 8/2006 Miller et al.  
 2011/0209428 A1 9/2011 Elliott  
 2013/0025226 A1 1/2013 Jenkins et al.  
 2013/0298490 A1 11/2013 Jenkins et al.  
 2014/0260047 A1 9/2014 Jenkins et al.  
 2015/0240495 A1 \* 8/2015 Vermilion ..... E04D 1/00  
 428/142  
 2017/0321423 A1 \* 11/2017 Aschenbeck ..... E04D 1/36

\* cited by examiner



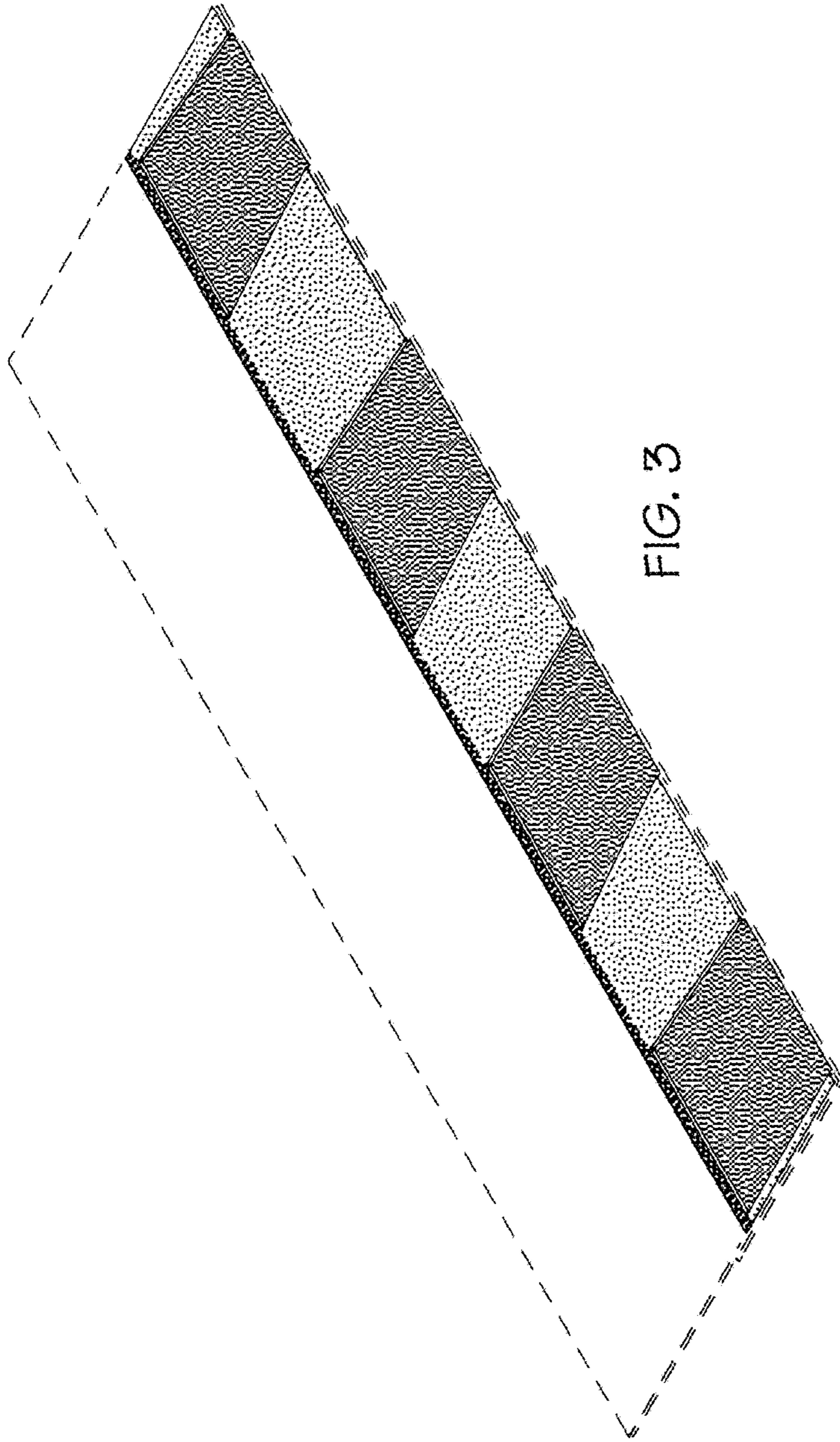


FIG. 3

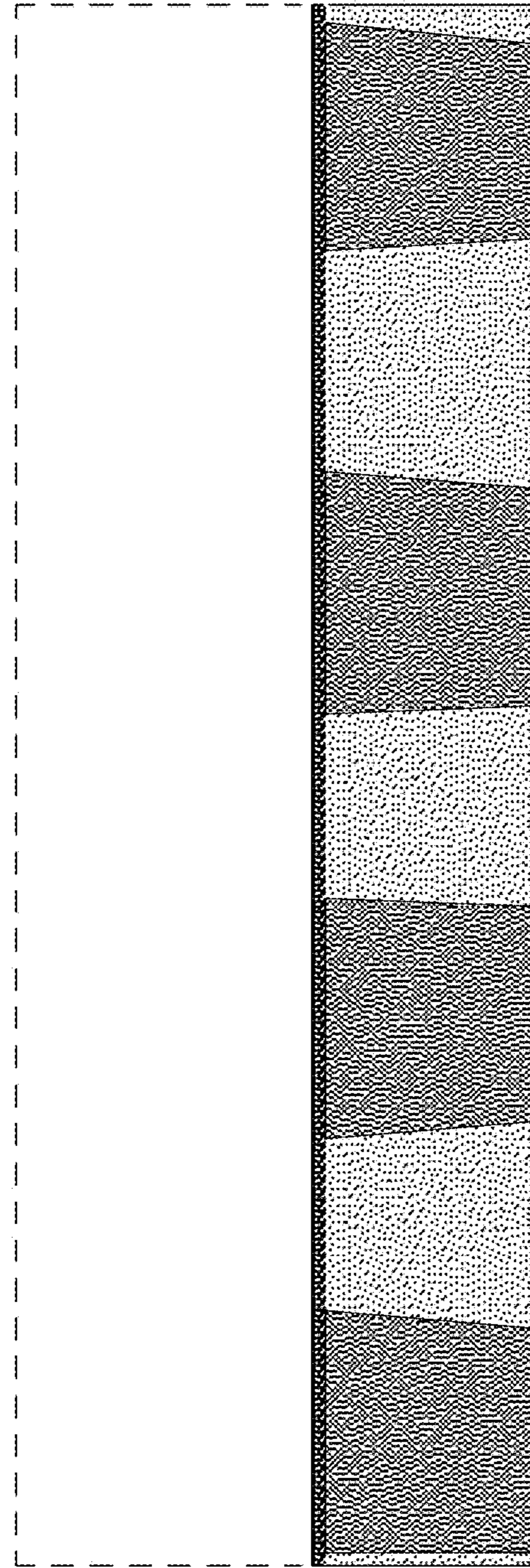


FIG. 4

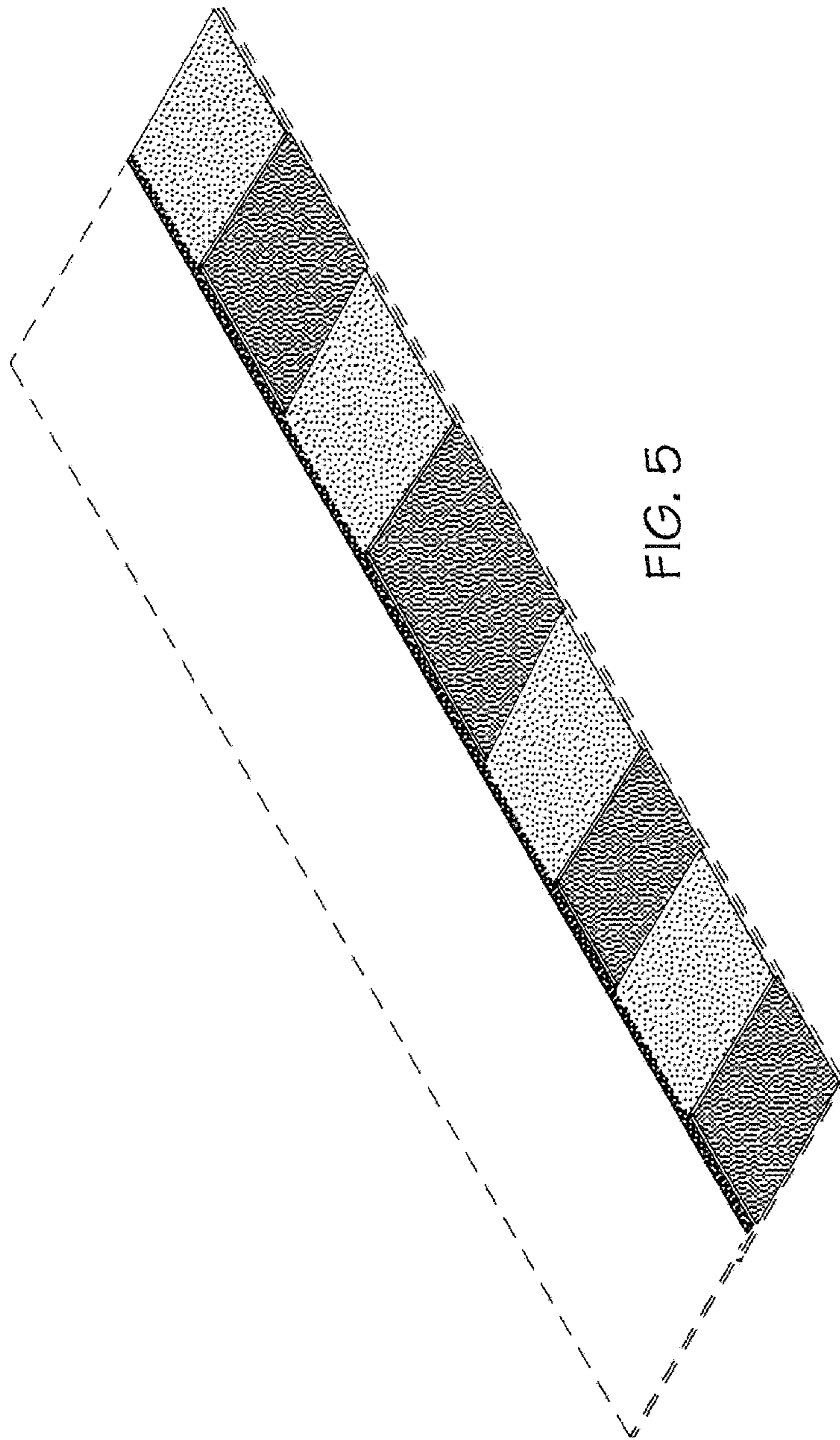


FIG. 5

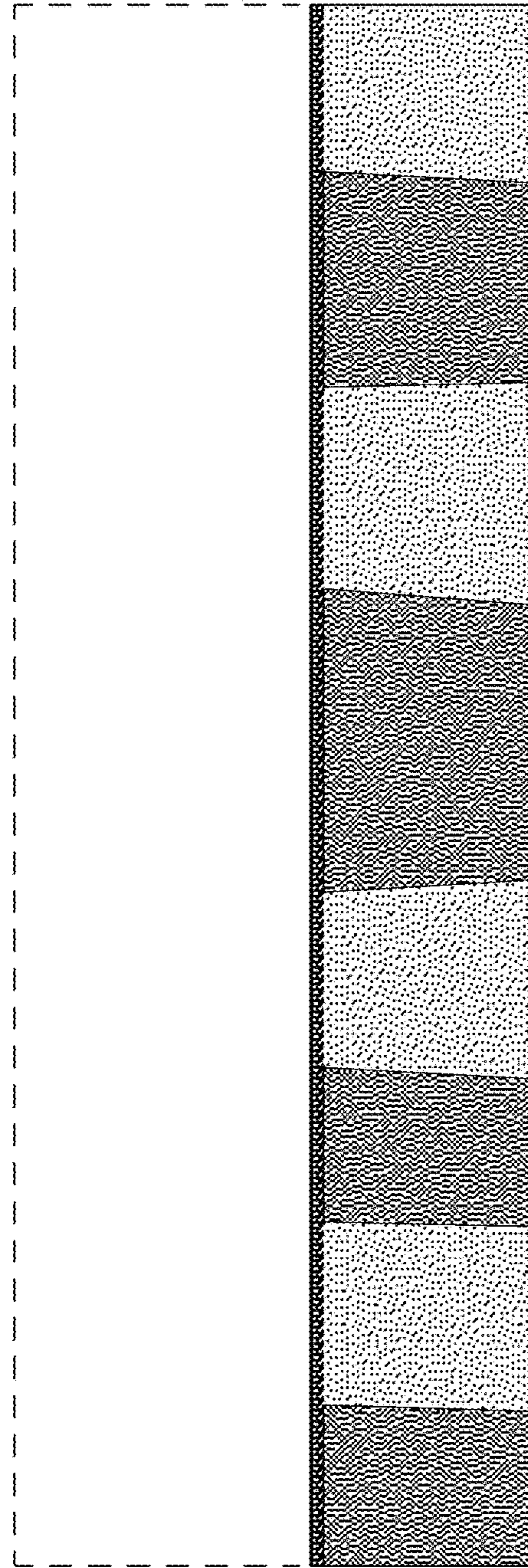


FIG. 6

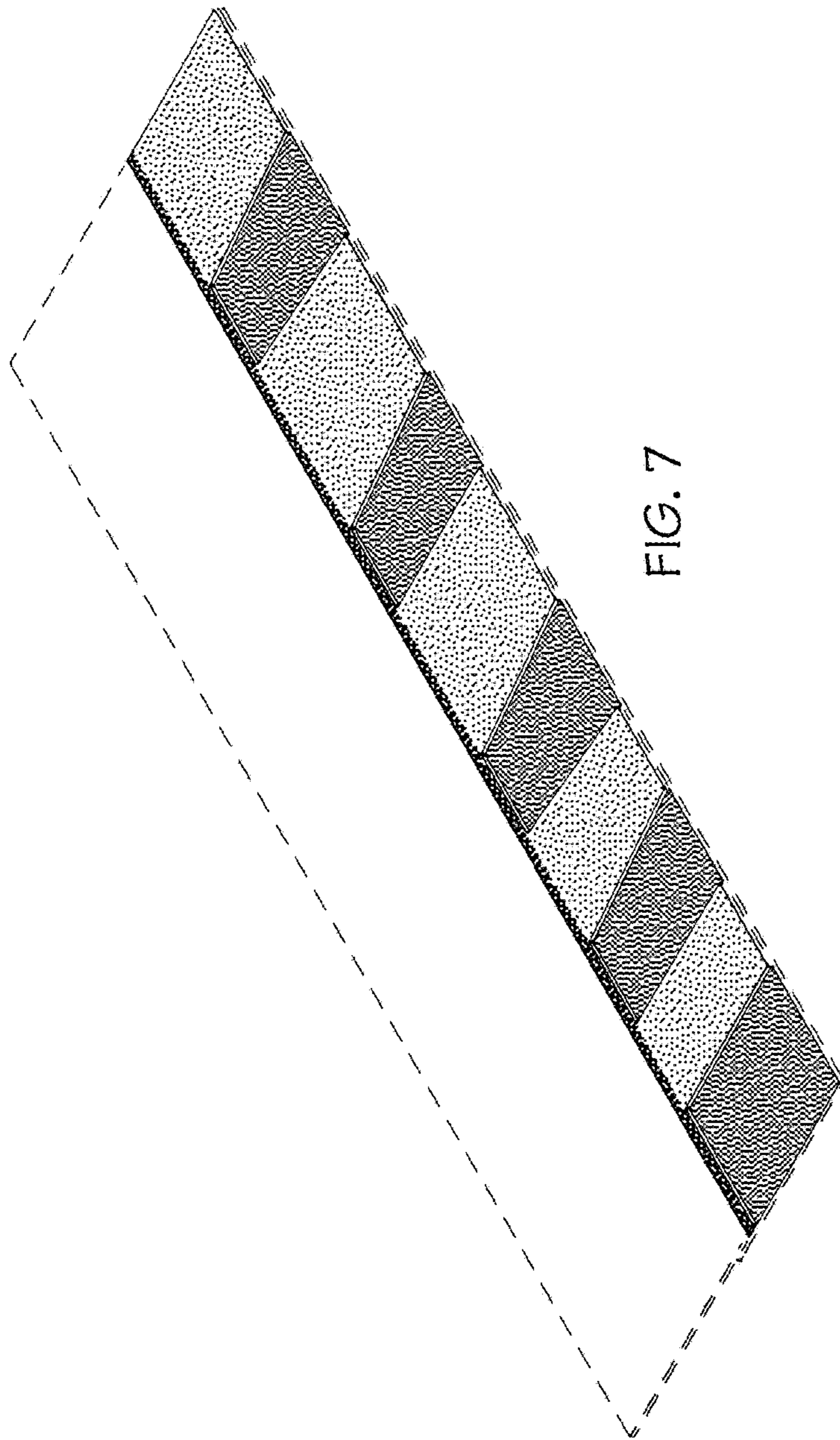


FIG. 7

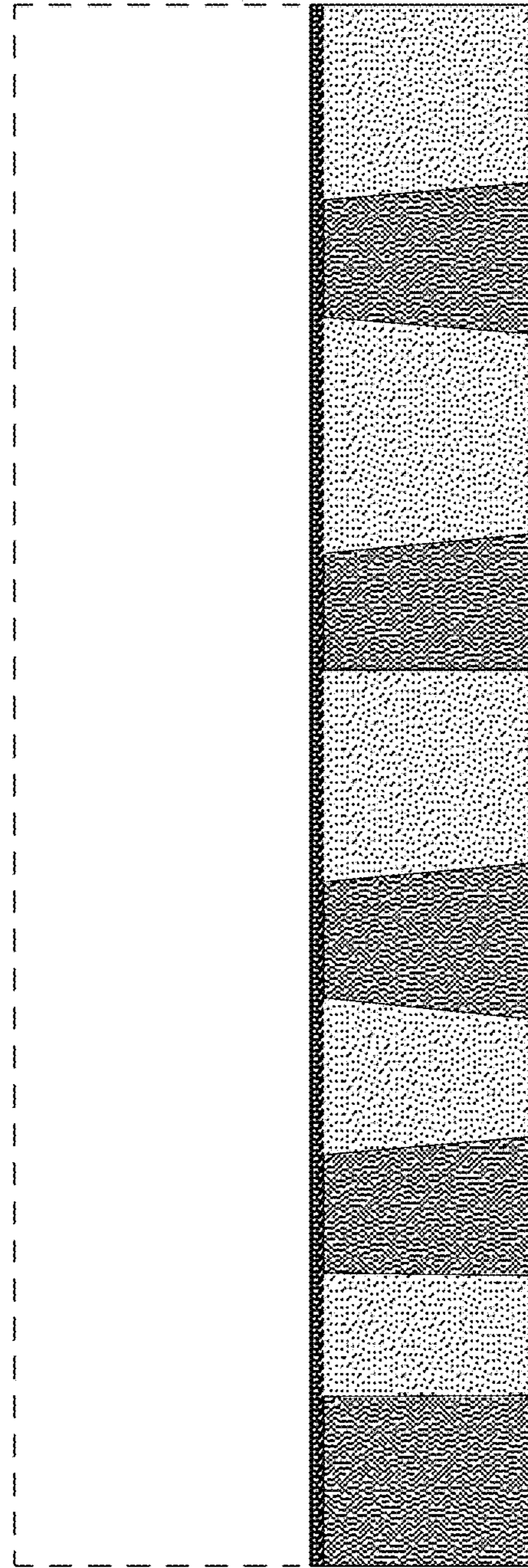


FIG. 8

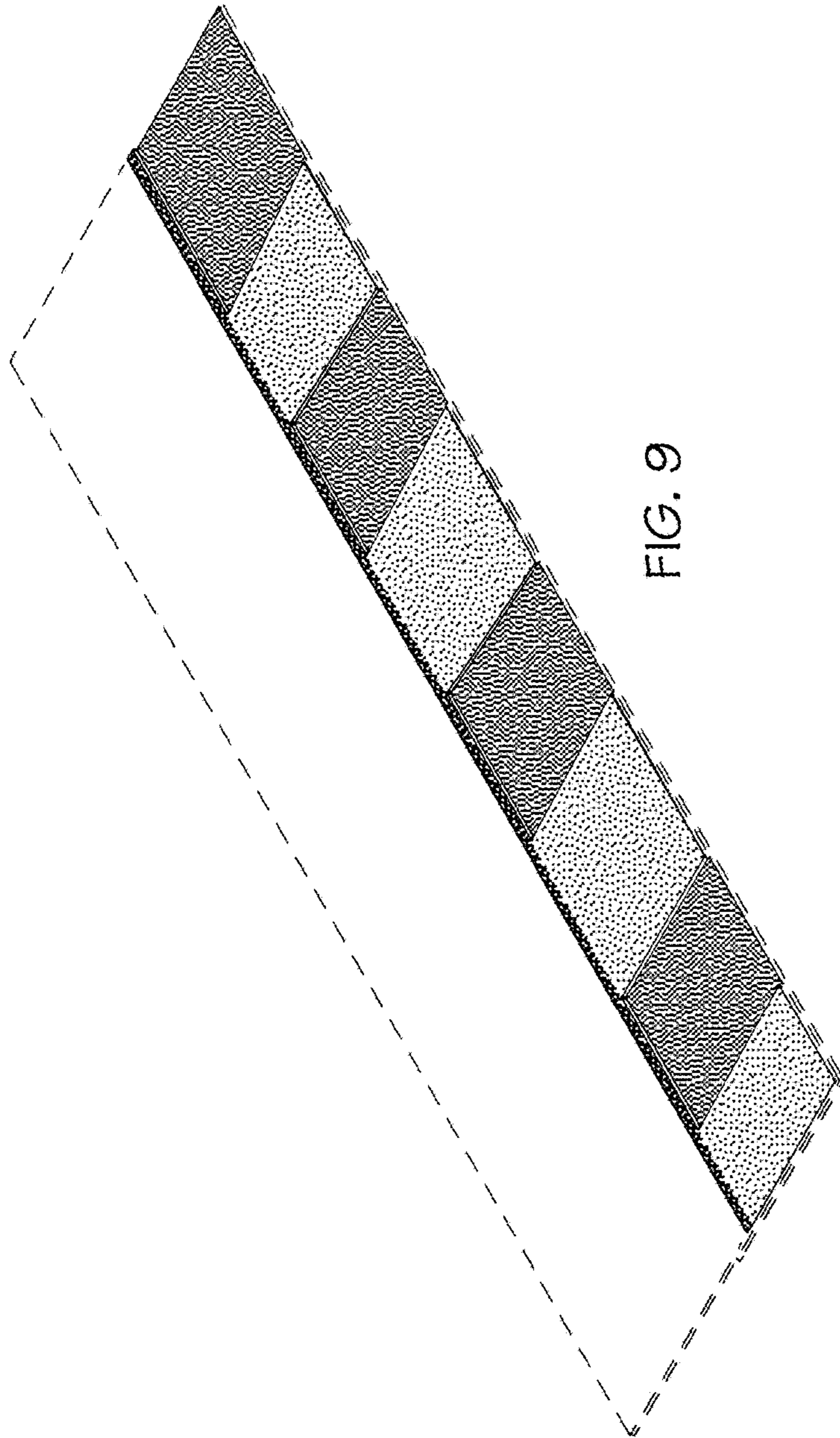


FIG. 9

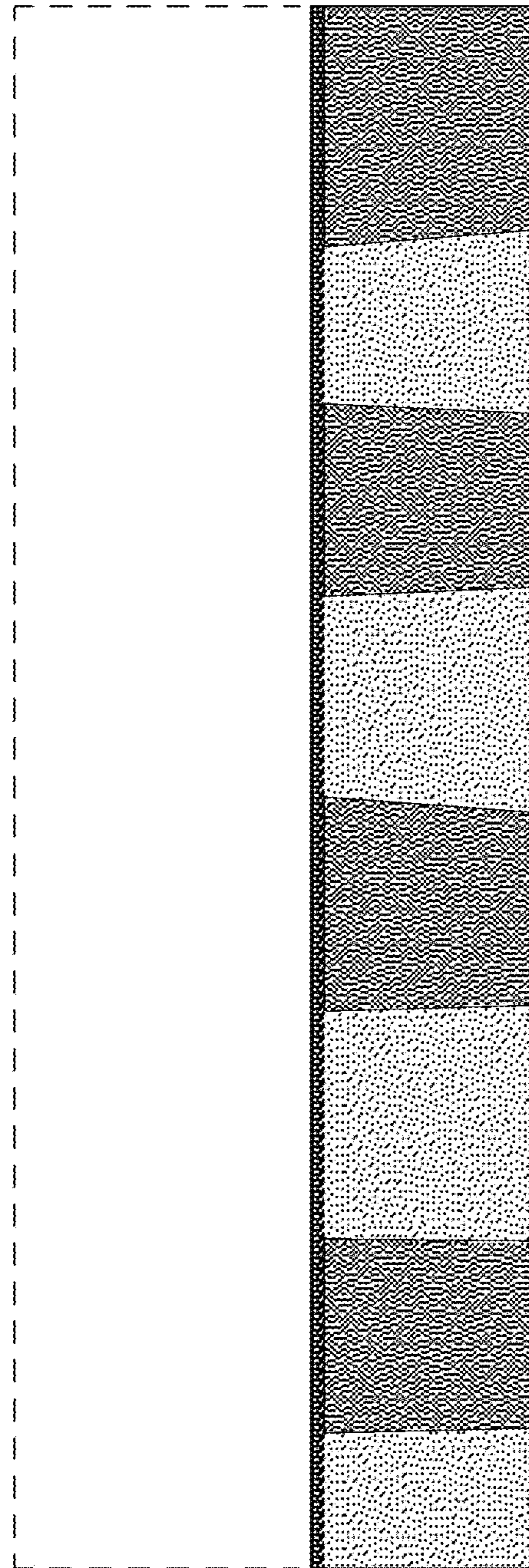


FIG. 10

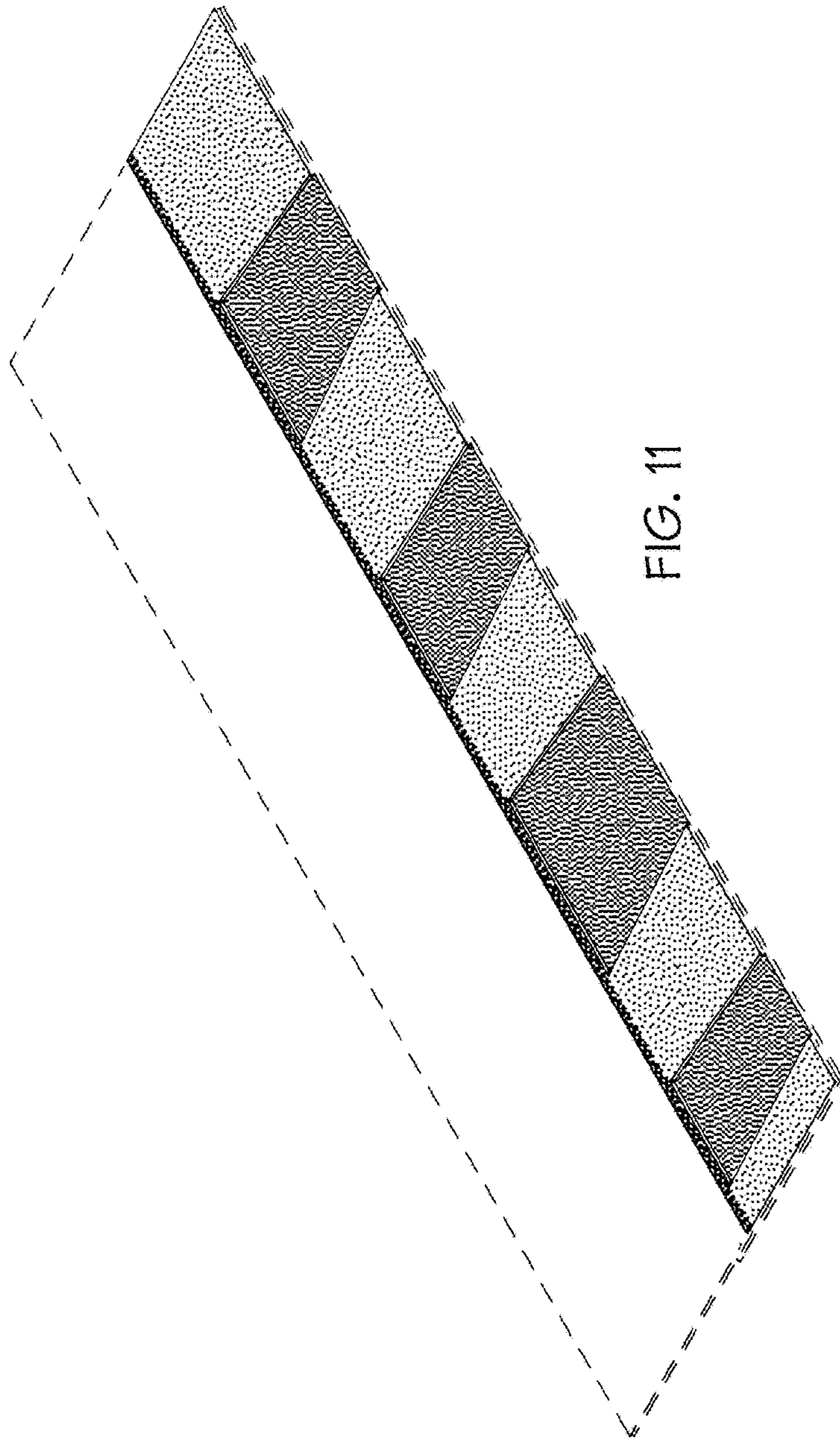


FIG. 11

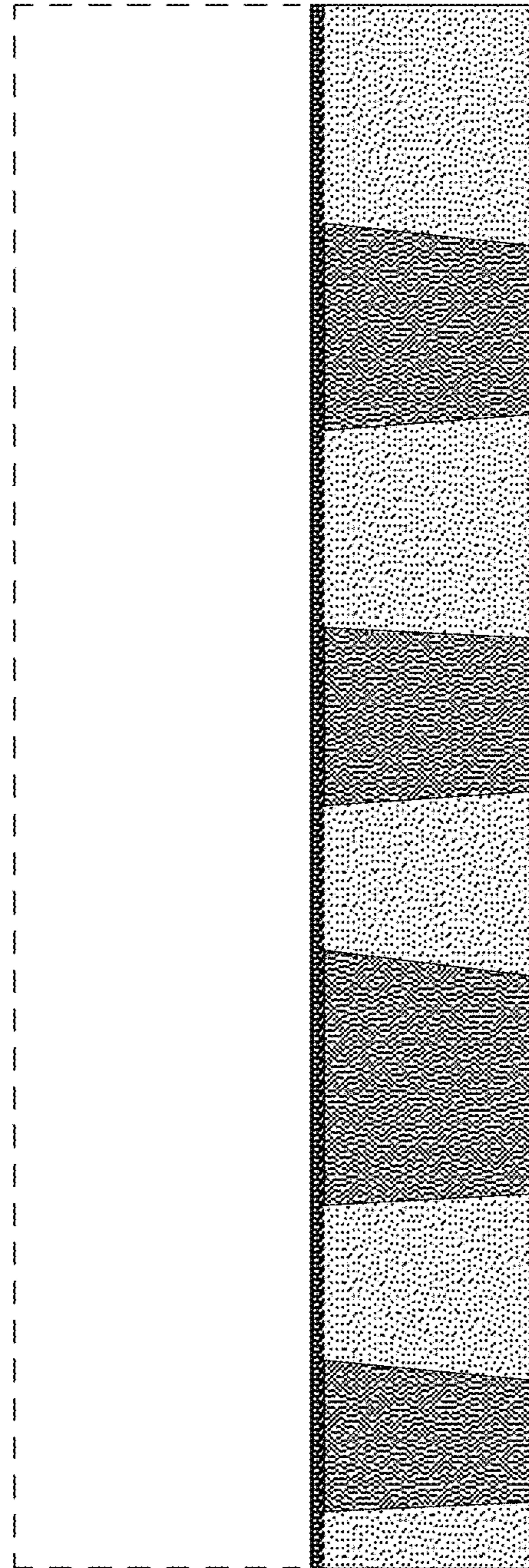


FIG. 12



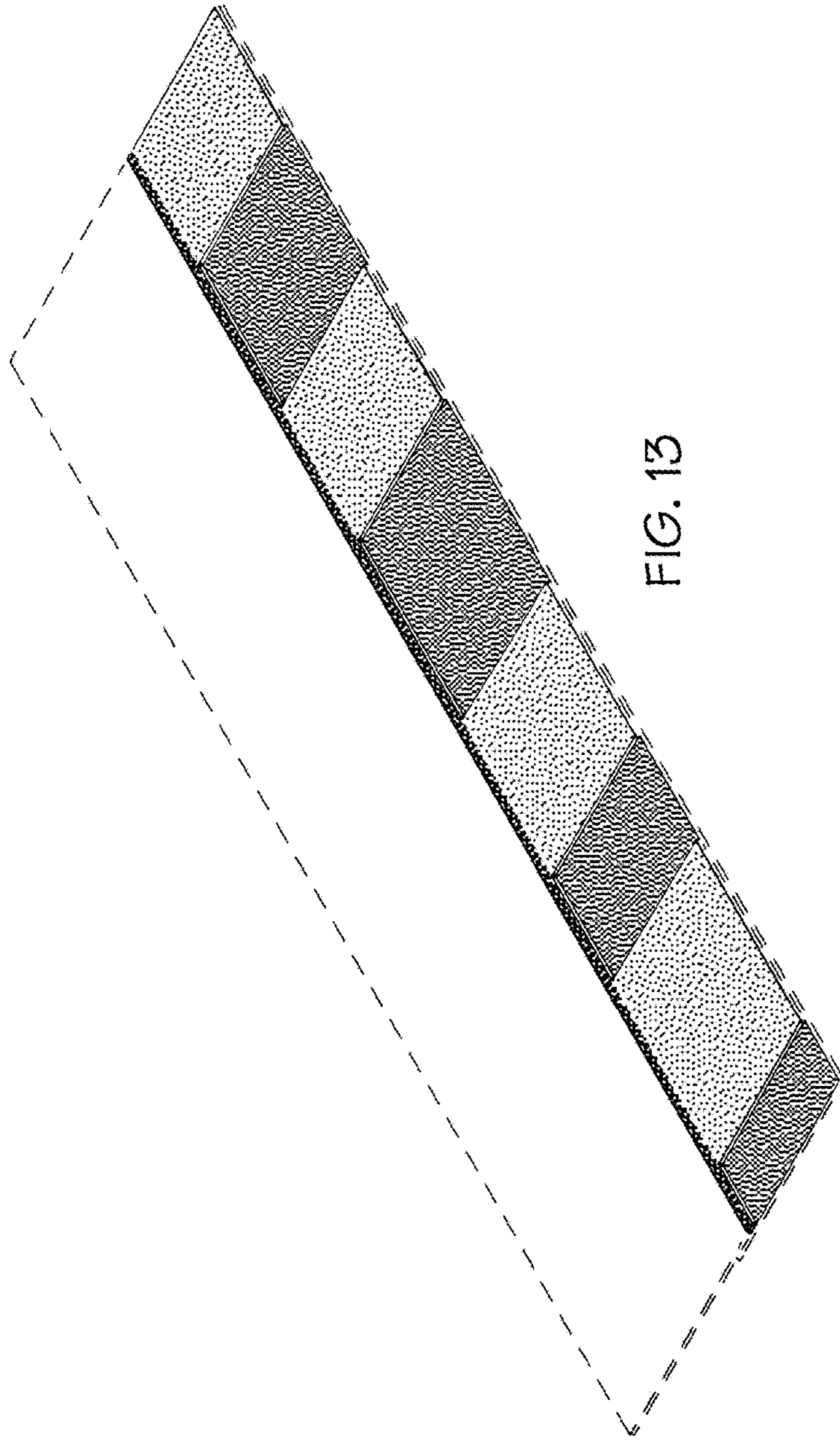


FIG. 13

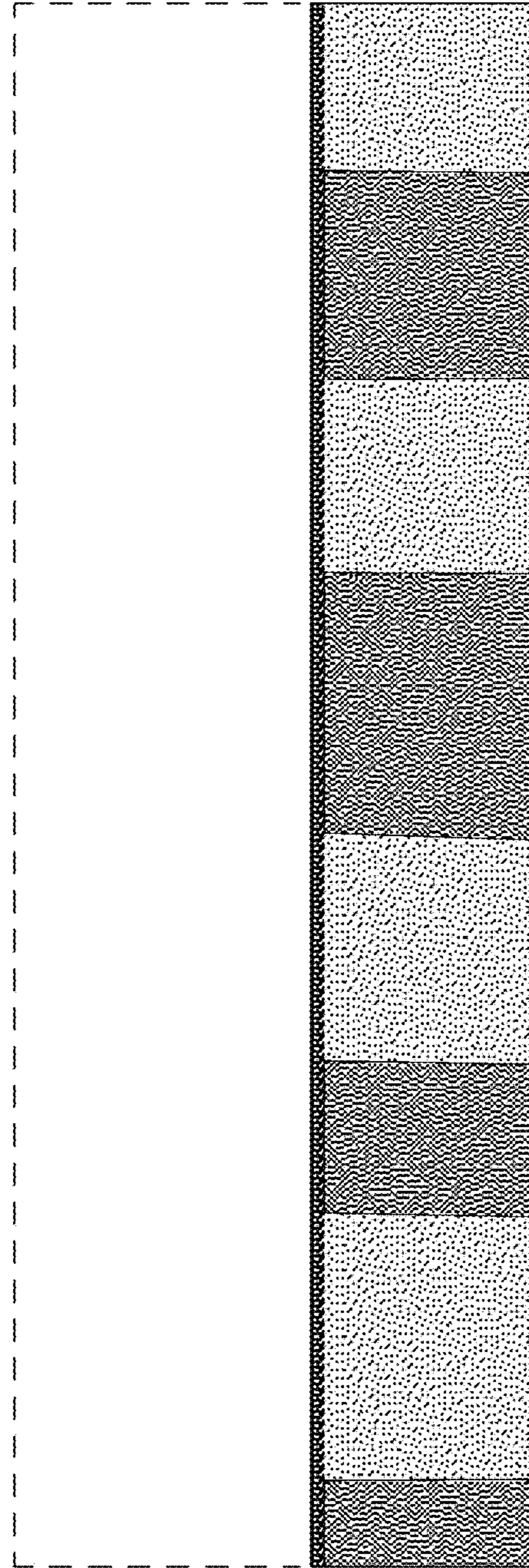


FIG. 14