



US00D870319S

(12) **United States Design Patent** (10) **Patent No.:** **US D870,319 S**
Albarran (45) **Date of Patent:** **** Dec. 17, 2019**

(54) **BOOTH INTERIOR WALL**
(71) Applicant: **PHONEBOOTH INC.**, New York, NY (US)
(72) Inventor: **Alejandra Albarran**, Brooklyn, NY (US)
(73) Assignee: **PHONEBOOTH INC.**, New York, NY (US)

D570,818 S 6/2008 Keenan
D638,551 S 5/2011 Gann
D643,541 S * 8/2011 Strempack D25/16
D732,692 S 6/2015 Hallfors
D736,950 S 8/2015 Dar et al.
D788,318 S 5/2017 Jennings et al.
D809,808 S 2/2018 Sarkkinen

(**) Term: **15 Years**
(21) Appl. No.: **29/650,642**

FOREIGN PATENT DOCUMENTS

EM 005846409-0002 * 2/2019
KR 300246689.0000 * 10/1999
KR 300321714.0000 * 4/2003
KR 300403205.0000 * 1/2006

(22) Filed: **Jun. 8, 2018**
(51) **LOC (12) Cl.** **06-06**
(52) **U.S. Cl.**
USPC **D25/58; D6/640**
(58) **Field of Classification Search**
USPC D6/300, 568, 640, 332, 643, 698, 702,
D6/703, 704, 705; D25/16, 58, 138
CPC E04H 1/14
See application file for complete search history.

OTHER PUBLICATIONS

Header_2048x cdn.shopify https://cdn.shopify.com/s/files/1/0016/0959/6989/files/Header_2048x.jpg?v=1524610852 Apr. 30, 2018 (Year: 2018).*

(Continued)

Primary Examiner — Leanne Was-Englehart
(74) *Attorney, Agent, or Firm* — Gottlieb, Rackman & Reisman, P.C.

(56) **References Cited**

U.S. PATENT DOCUMENTS

1,857,913 A * 5/1932 Judelson E04H 1/14
52/262
1,979,072 A * 10/1934 Kuntz E04H 1/14
52/28
D197,963 S * 4/1964 Bruns D25/16
D223,815 S * 6/1972 Ericsson D25/4
D262,762 S * 1/1982 McGarvey D25/1
D268,238 S * 3/1983 Brescia D6/300
D273,646 S * 5/1984 Avant D25/16
D339,251 S * 9/1993 Gainey, Jr. D6/640
D399,973 S * 10/1998 O'Reilly D25/16
D425,725 S * 5/2000 Whitaker D14/240
D461,252 S * 8/2002 Marcos D25/16

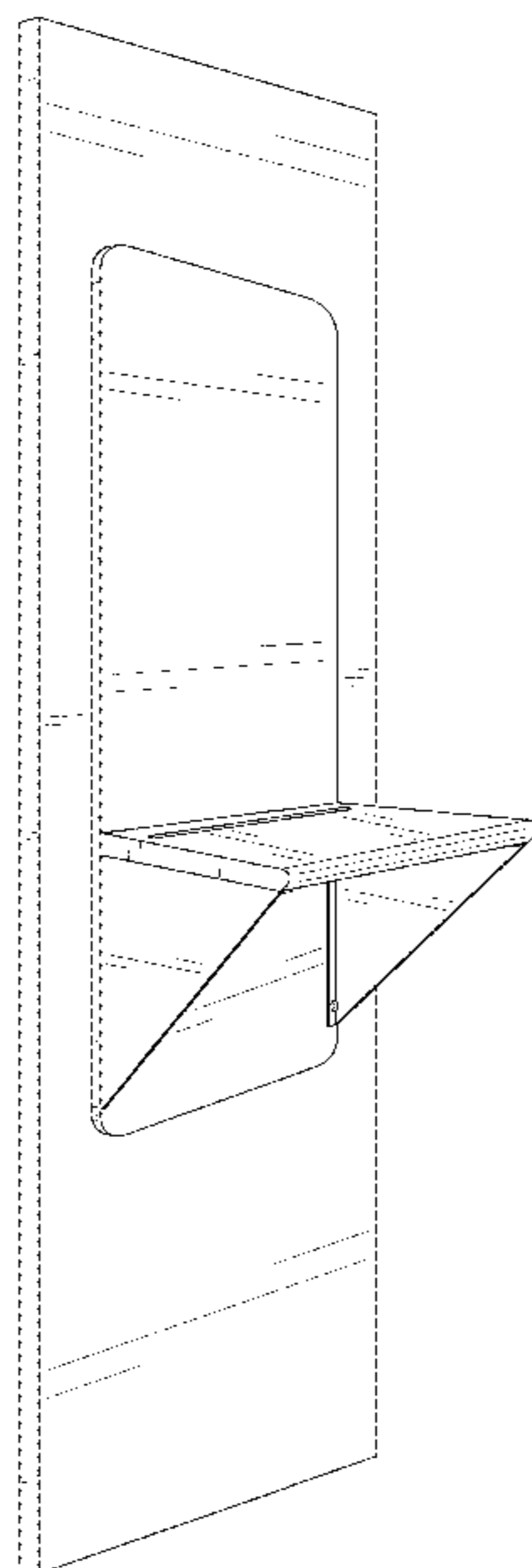
(57) **CLAIM**

The ornamental design for a booth interior wall, as shown and described.

DESCRIPTION

FIG. 1 is a perspective view of a booth interior wall showing my new design;
FIG. 2 is a front elevational view thereof;
FIG. 3 is a left side elevational view thereof, the right side being a mirror image;
FIG. 4 is a top plan view thereof; and,
FIG. 5 is a bottom plan view thereof.

1 Claim, 4 Drawing Sheets



(56)

References Cited

OTHER PUBLICATIONS

officelovin.com Room phonebooth https://www.officelovin.com/2019/06/04/a-tour-of-airhelps-new-berlin-headquarters/#post_gallery-1 Jun. 4, 2019 (Year: 2019).*

ROOM Brings a Modern Twist to the Classic Phone Booth—Design Milk <https://design-milk.com/room-brings-a-modern-twist-to-the-classic-phone-booth/> Jan. 7, 2019 (Year: 2019).*

Techcrunch room phone booths <https://techcrunch.com/2018/08/15/room-phone-booths/> Aug. 15, 2018 (Year: 2018).*

The Best Quiet Space Solution for Your Office SnapCab Pods <https://snapcab.com/product-features-and-customization/office-noise-solutions/> Jun. 22, 2018 (Year: 2018).*

Zenbooth, Inc, Comfort Booth (Maple/ Maple) product details, <https://shop.zenbooth.net/collections/models/products/comfort-booth?variant=30633767186>.

* cited by examiner

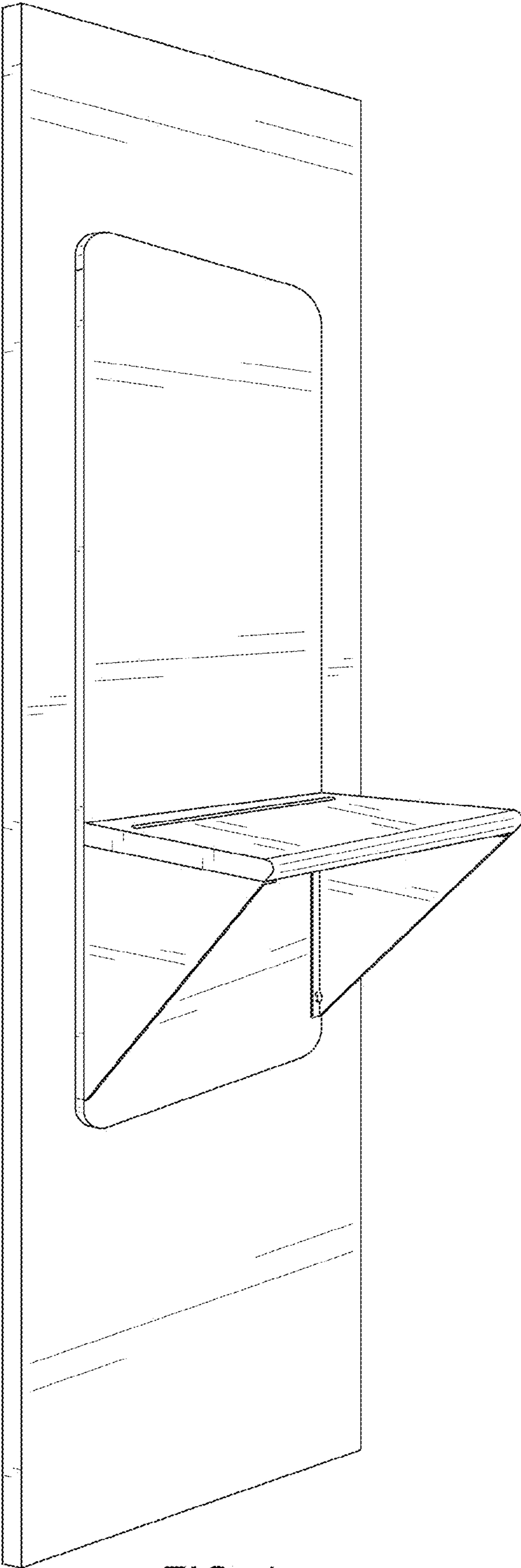


FIG. 1

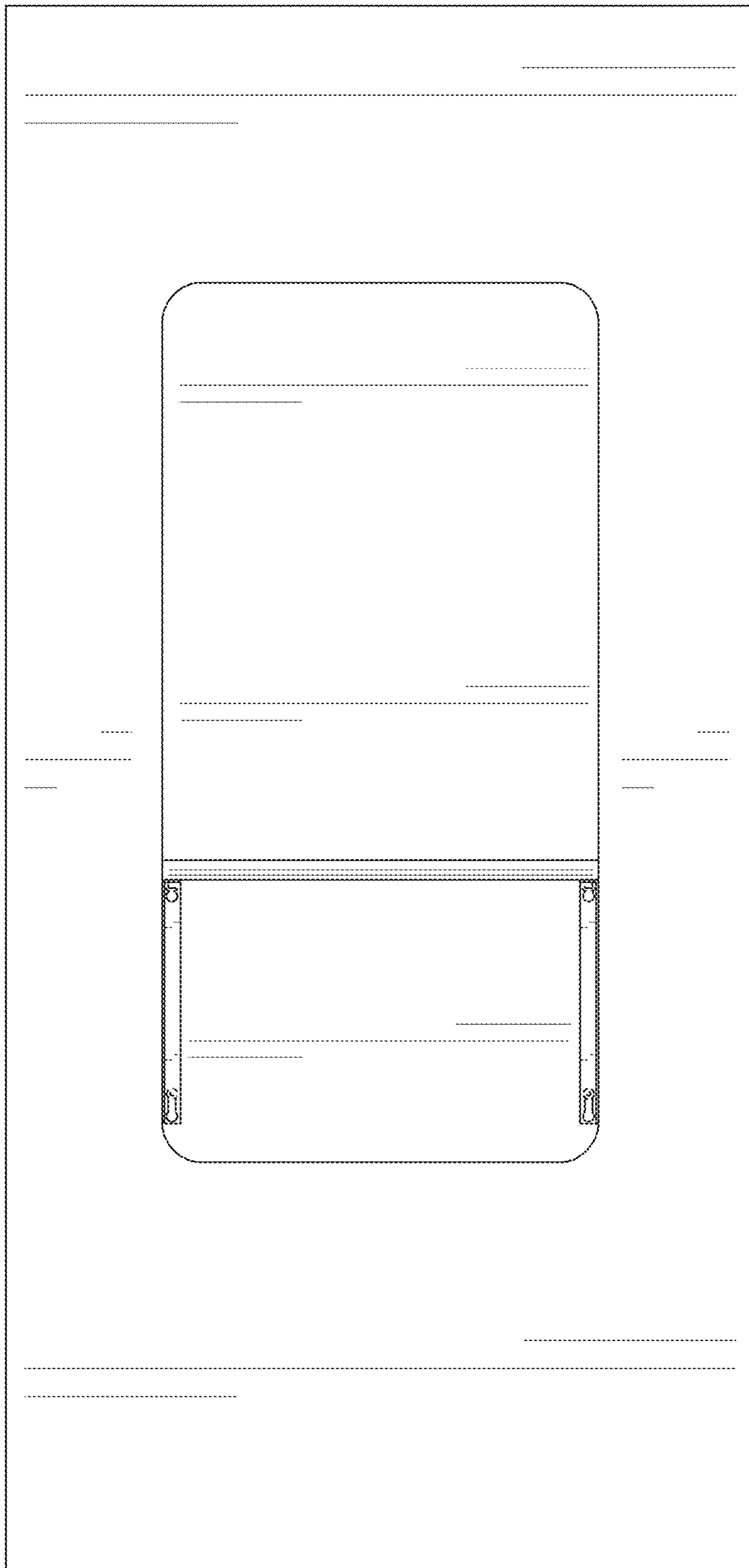


FIG. 2

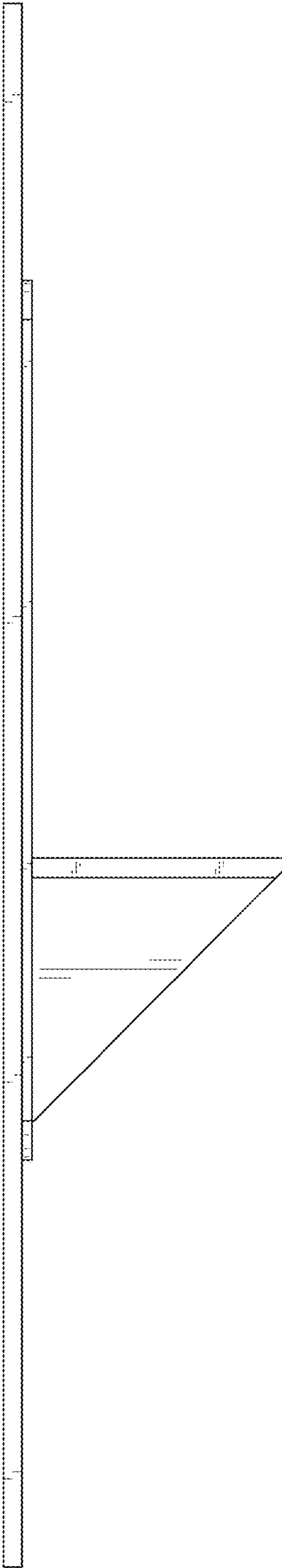


FIG. 3

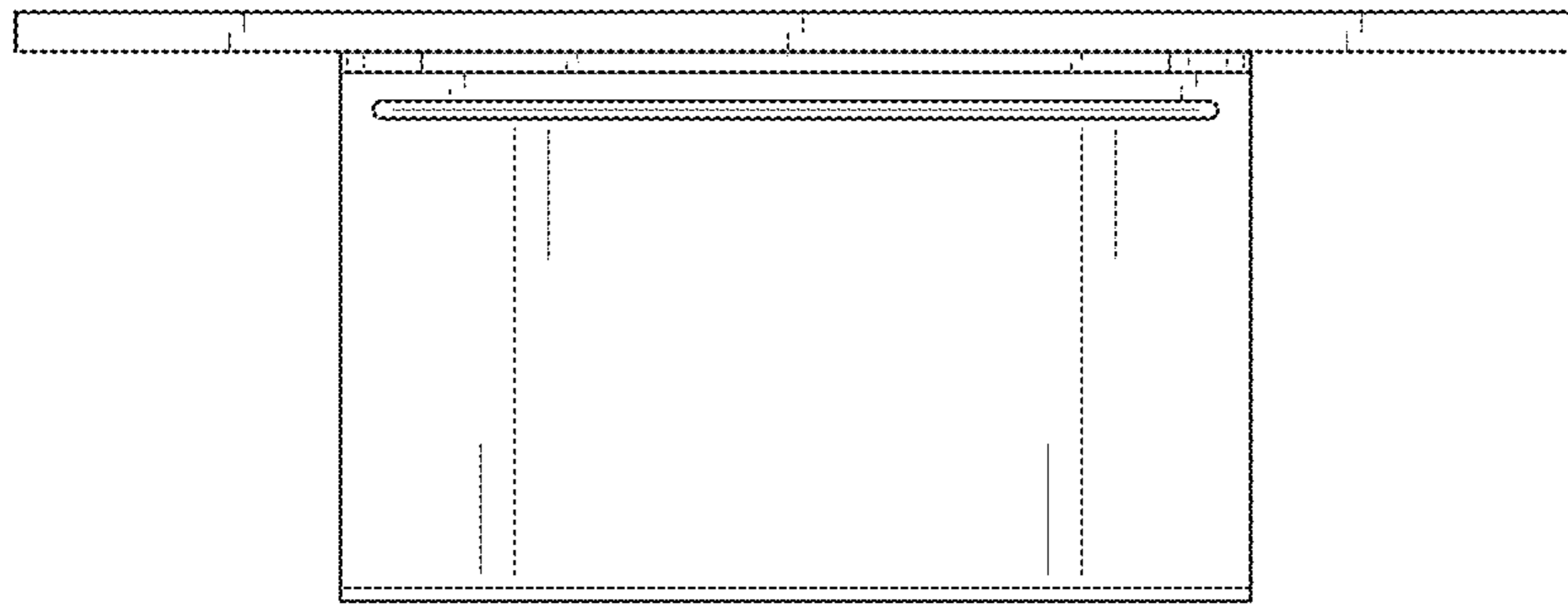


FIG. 4

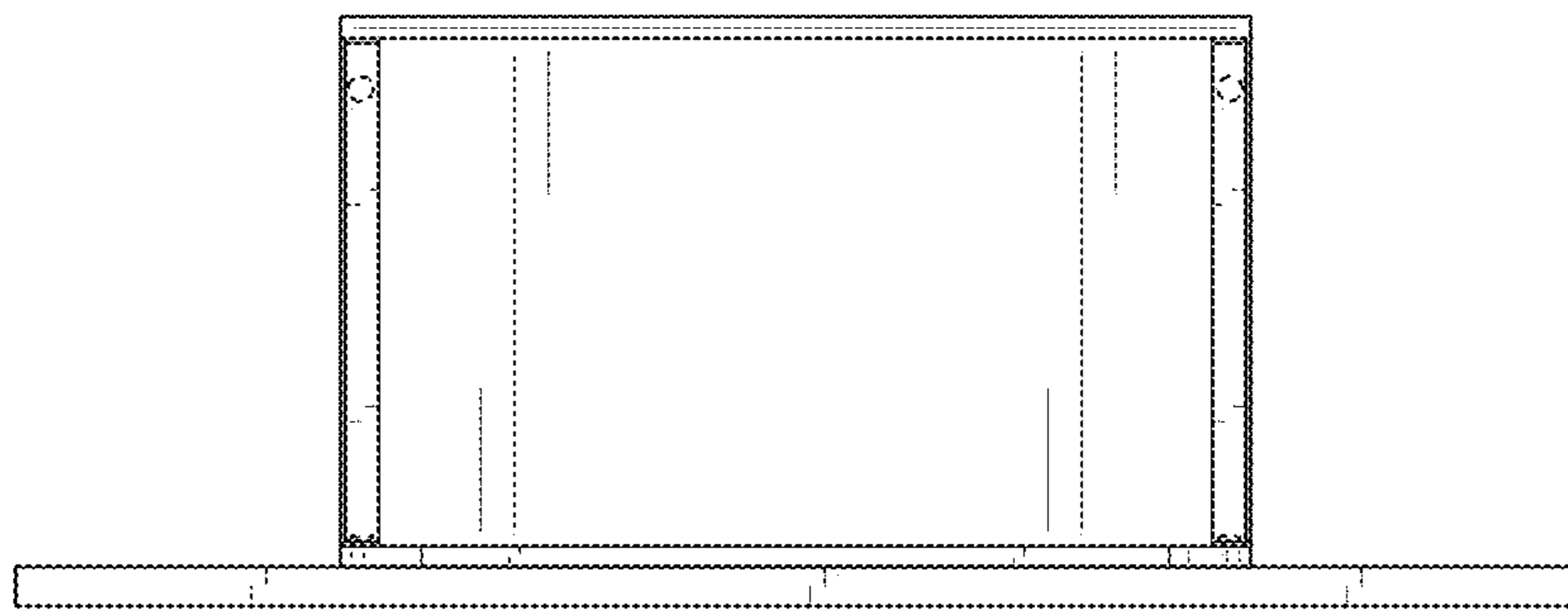


FIG. 5