



US00D870318S

(12) **United States Design Patent** (10) **Patent No.:** **US D870,318 S**
Everett et al. (45) **Date of Patent:** **** Dec. 17, 2019**

(54) **AWNING**

(71) Applicant: **Rhino Rack Australia Pty Limited**,
Rydalmere (AU)
(72) Inventors: **Kayle Everett**, Rydalmere (AU);
William Davis, Rydalmere (AU); **John**
Klinkenberg, Rydalmere (AU)
(73) Assignee: **Rhino Rack Australian Pty. Ltd.**,
Rydalmere (AU)
(**) Term: **15 Years**

(21) Appl. No.: **29/630,963**

(22) Filed: **Dec. 26, 2017**

(30) **Foreign Application Priority Data**

Jun. 30, 2017 (AU) 201714003
Jun. 30, 2017 (AU) 201714006
(51) **LOC (12) Cl.** **12-16**
(52) **U.S. Cl.**
USPC **D25/57; D12/403**
(58) **Field of Classification Search**
USPC D8/377; D12/401, 403; D21/834, 837,
D21/839; D25/56, 57

(Continued)

(56) **References Cited**

U.S. PATENT DOCUMENTS

2,962,034 A * 11/1960 Finlayson E04H 15/18
135/135
3,333,594 A * 8/1967 Moss B60P 3/343
135/147

(Continued)

FOREIGN PATENT DOCUMENTS

CN 301381042 * 11/2010
CN 301381043 * 11/2010
CN 301446141 * 1/2011

OTHER PUBLICATIONS

<https://roofracksinperth.com.au/awnings/> Available Mar. 18, 2016
(Year: 2016).*

(Continued)

Primary Examiner — Leanne Was-Englehart
(74) *Attorney, Agent, or Firm* — Cooper & Dunham LLP

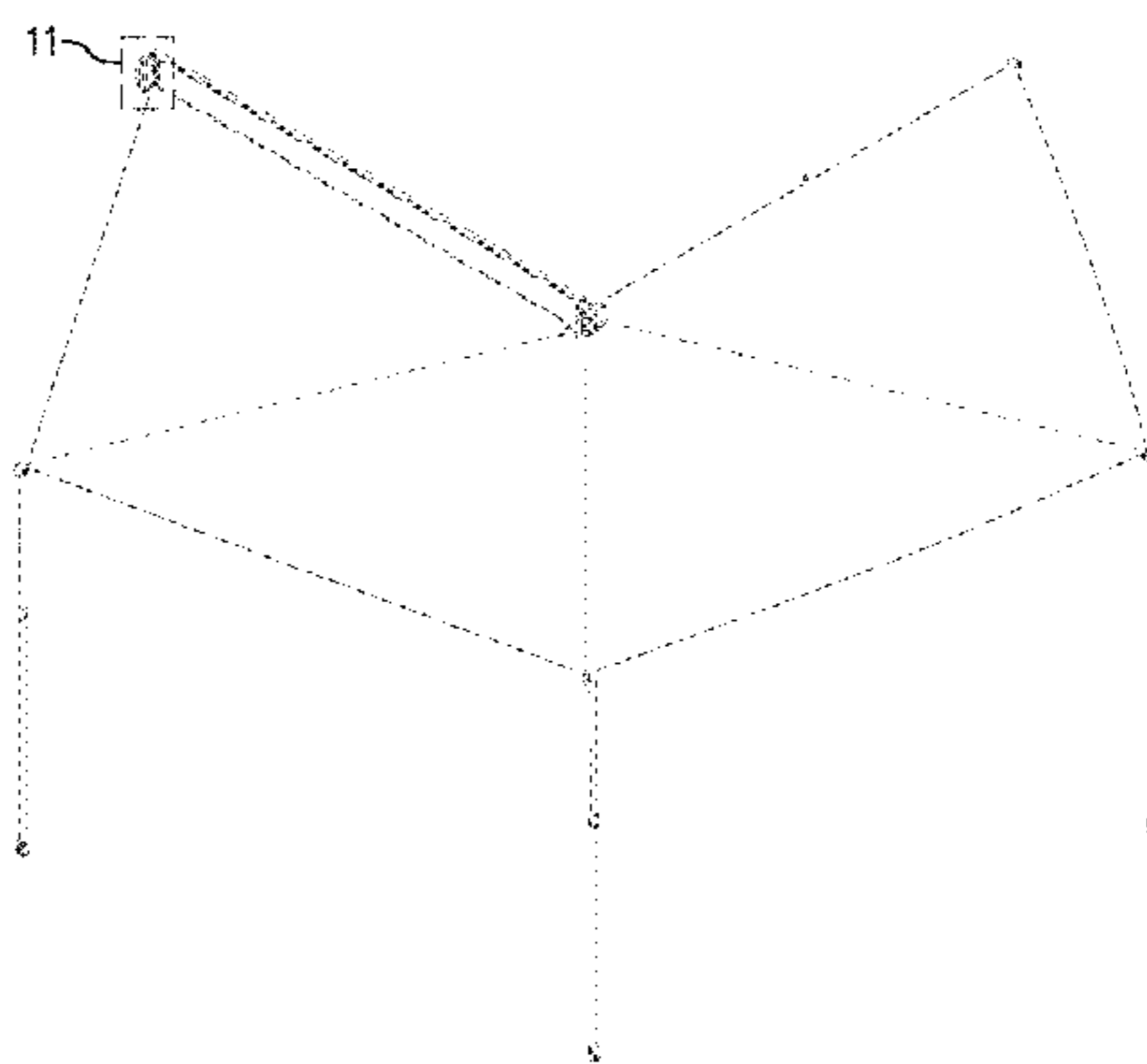
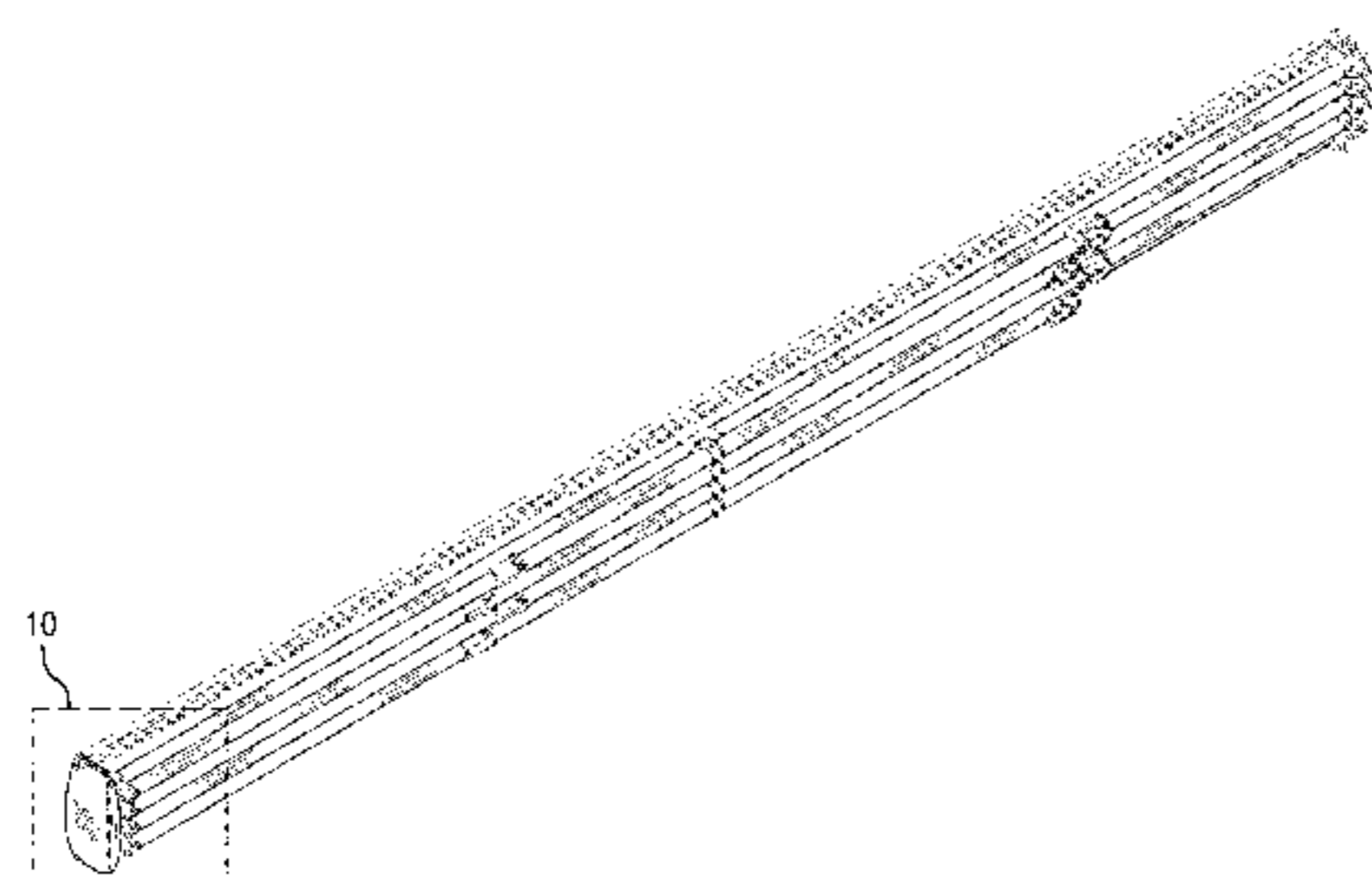
(57) **CLAIM**

We claim the ornamental design for a awning, as shown and described.

DESCRIPTION

FIG. 1 is a perspective view of the awning in a stowed position with the cover not shown for clarity to clearly show the claimed features;
FIG. 2 is a rear view of the awning in a stowed position;
FIG. 3 is a perspective view of the awning in a deployed position;
FIG. 4 is a front view of the awning in a stowed position;
FIG. 5 is a side view of the awning in a partially deployed position;
FIG. 6 is a left-side view of the awning in a stowed position;
FIG. 7 is a top view of the awning in a stowed position with the cover not shown for clarity to clearly show the claimed features;
FIG. 8 is a right-side view of the awning in a stowed position;
FIG. 9 is a bottom view of the awning in a stowed position with the cover not shown for clarity to clearly show the claimed features;
FIG. 10 is an enlarged perspective view taken from FIG. 1; and,
FIG. 11 is an enlarged perspective view taken from FIG. 3. The broken lines depict portions of the awning that form no part of the claimed design. The shading represents contour of the claimed design. The broken lines depicting the enlarged views depict the limits of the enlarged view and form no part of the claimed design.

1 Claim, 11 Drawing Sheets



(58) **Field of Classification Search**

CPC E04F 10/0618; E04F 10/0637; E04F
10/0662; E04F 10/0685; E04H 15/06;
E04H 15/18; E04H 15/42; E04H 15/48;
B62J 19/00

See application file for complete search history.

(56) **References Cited**

U.S. PATENT DOCUMENTS

3,991,805 A * 11/1976 Clauss E04F 10/0618
160/22
D292,874 S * 11/1987 Clauss 160/22
D622,413 S * 8/2010 Cropley D25/56
D622,414 S * 8/2010 Cropley D25/56
D698,941 S * 2/2014 Cropley D25/56
D770,358 S * 11/2016 Fernandez D12/401
D813,413 S * 3/2018 Kramer D25/57
D813,782 S * 3/2018 Cropley D12/403
D814,047 S * 3/2018 Pozzi D25/57

OTHER PUBLICATIONS

http://www.rhinorack.com.au/products/sport-leisure/shade/awnings/batwing-awning-left-_33100 Available Mar. 18, 2018 (Year: 2018).*

<https://www.4x4overlander.com/product/foxwing-right-hand-3/> Available Sep. 12, 2016 (Year: 2016).*

https://issuu.com/rhinorack/docs/rhinorackaustralia_march2011/22 (Year: 2011).*

<https://www.youtube.com/watch?v=ErX6XFP6oSg> Posted May 10, 2012 (Year: 2012).*

<https://www.youtube.com/watch?v=7zFTBRHqchY> Posted Apr. 11, 2015 (Year: 2015).*

Screen captures from YouTube video clip “Rhino Rack-Foxwing Awning (features & benefits),” 7 pages, uploaded Aug. 5, 2019 by user “dunhchri”. Retrieved from Internet:
YouTube video clip “Rhino Rack-Foxwing Awning (features & benefits)” published on Internet: <https://www.youtube.com/watch?v=ErX6XFP6oSg> (May 10, 2012).
Examination report No. 1 (dated Oct. 6, 2017) in Australian Design application No. 201714003.

* cited by examiner

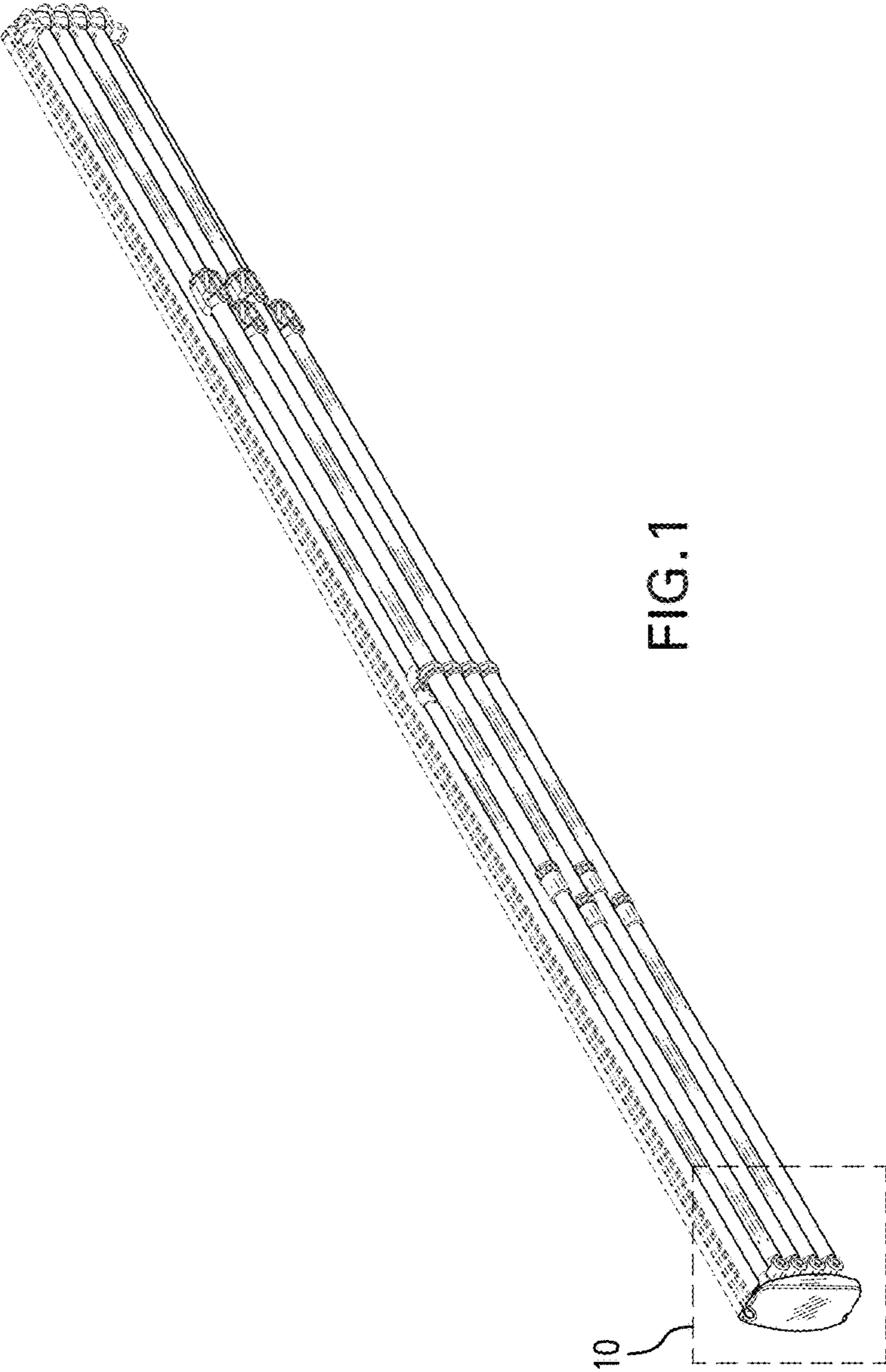


FIG. 1

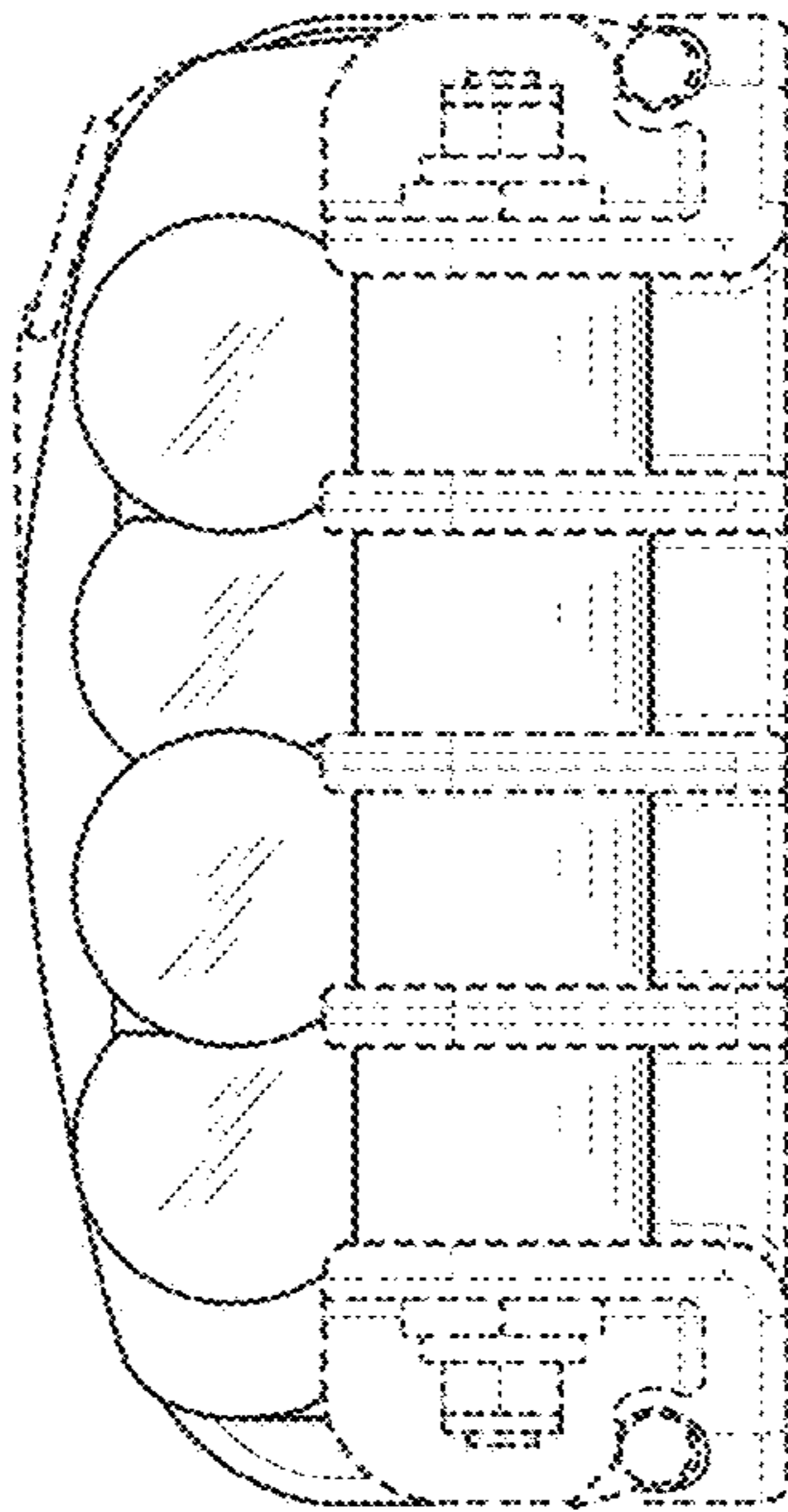


FIG. 2

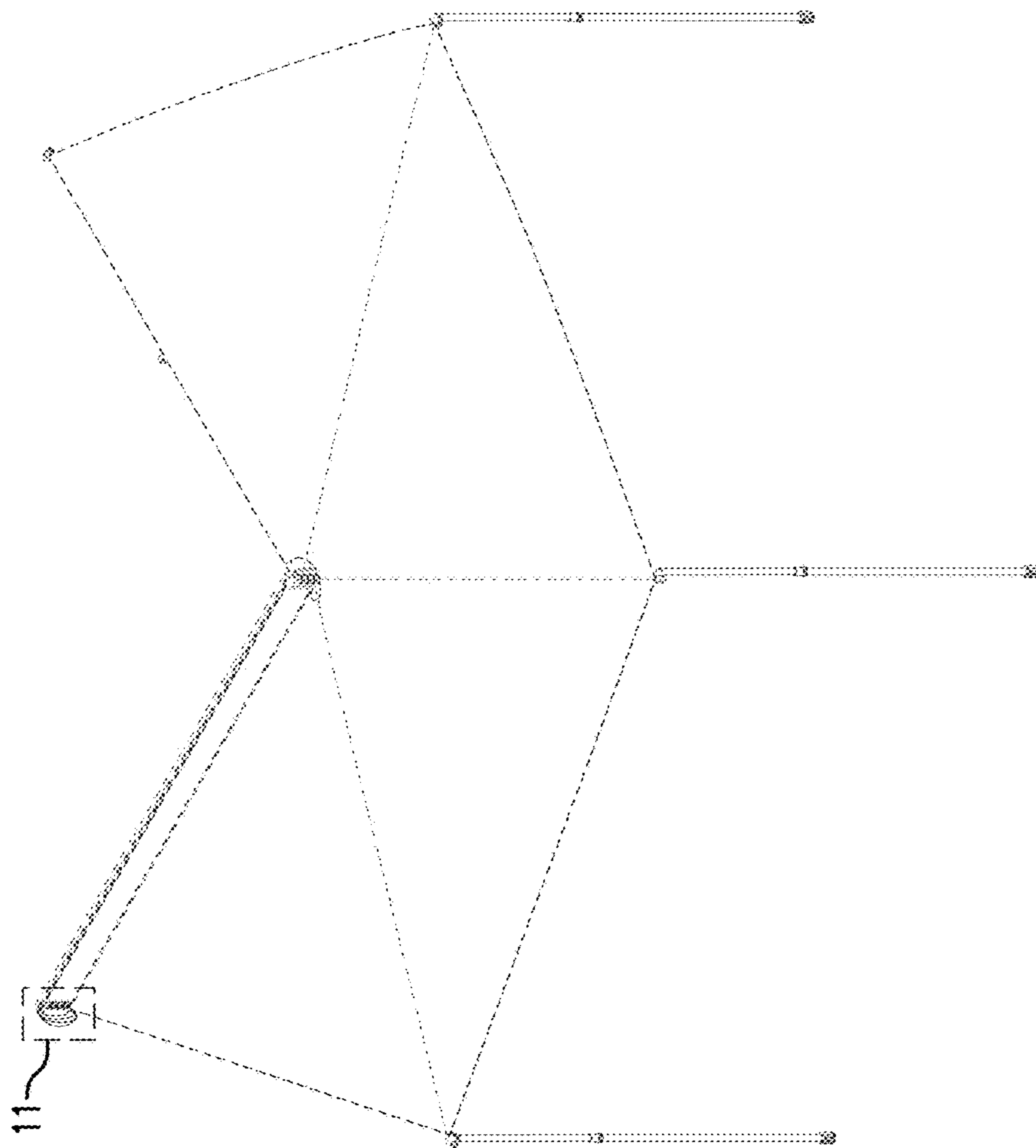


FIG. 3

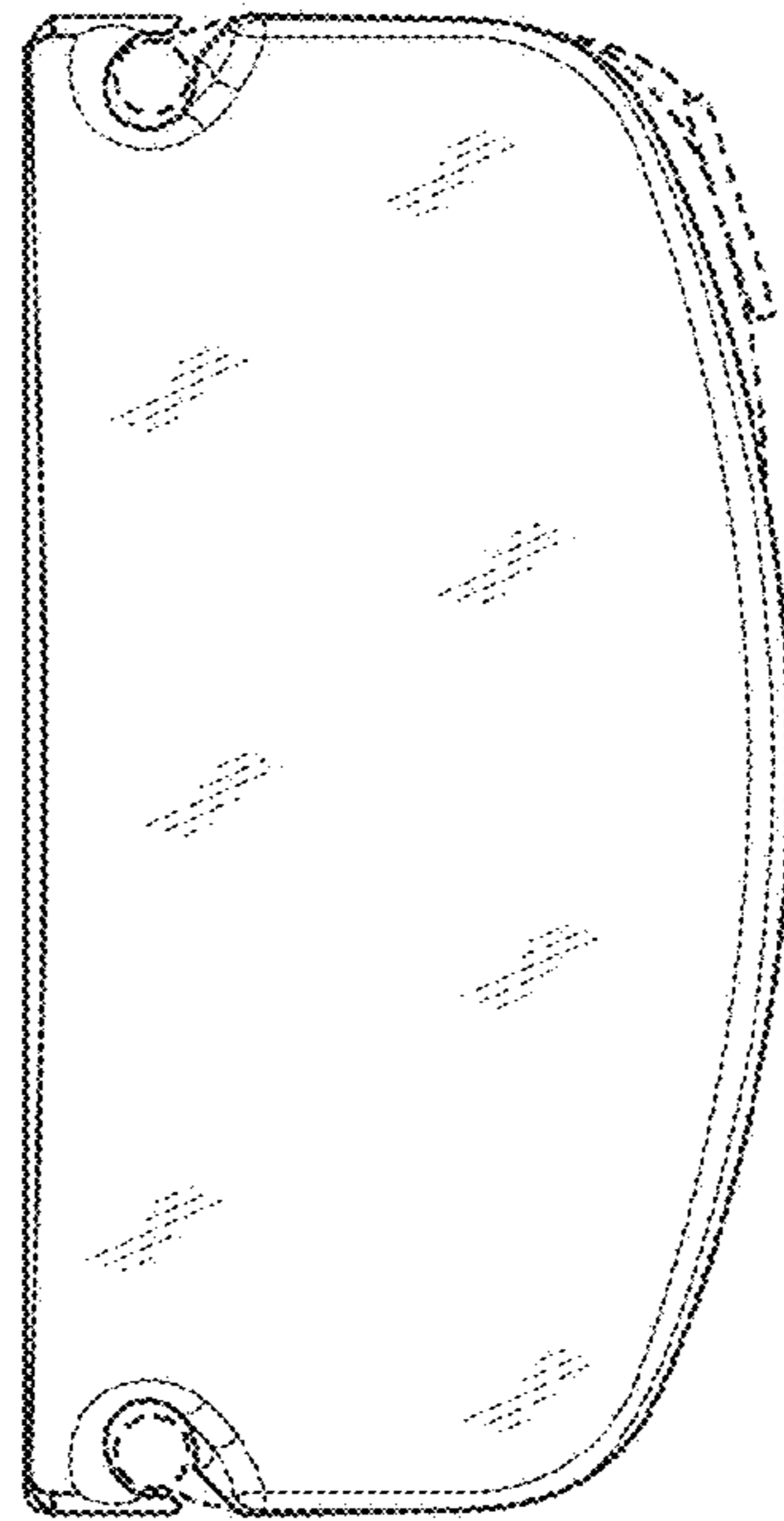


FIG. 4

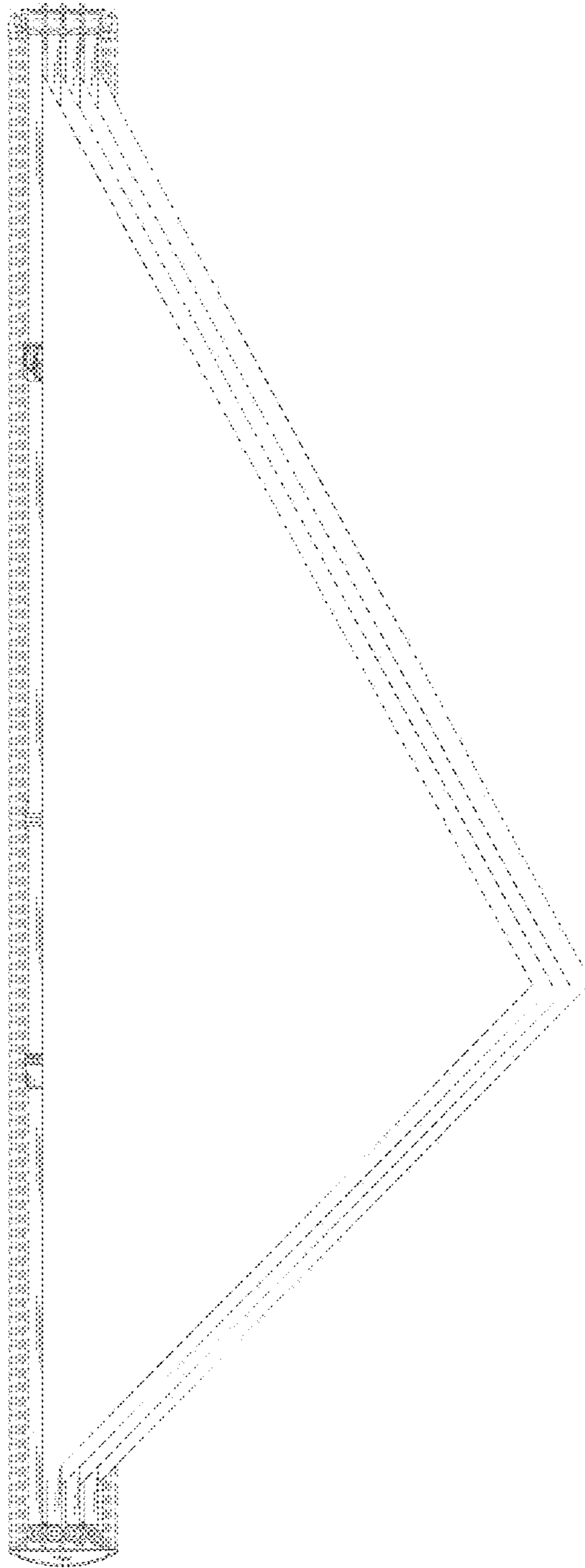


FIG. 5



FIG. 6

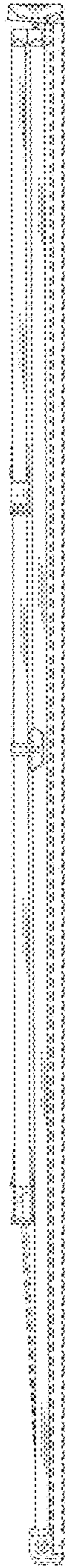


FIG. 7

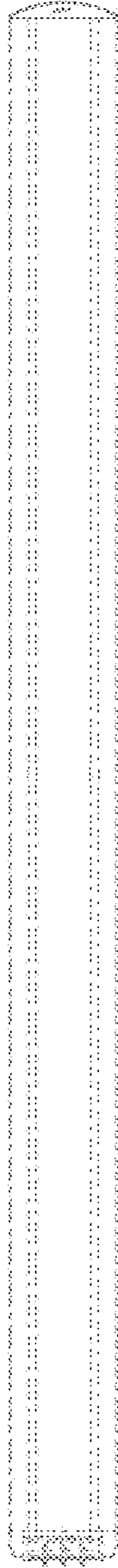


FIG. 8

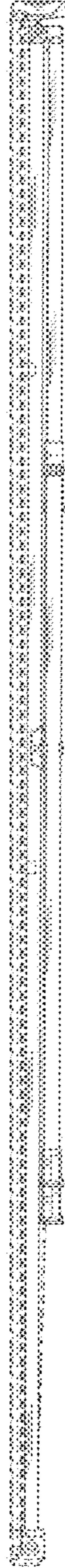


FIG. 9

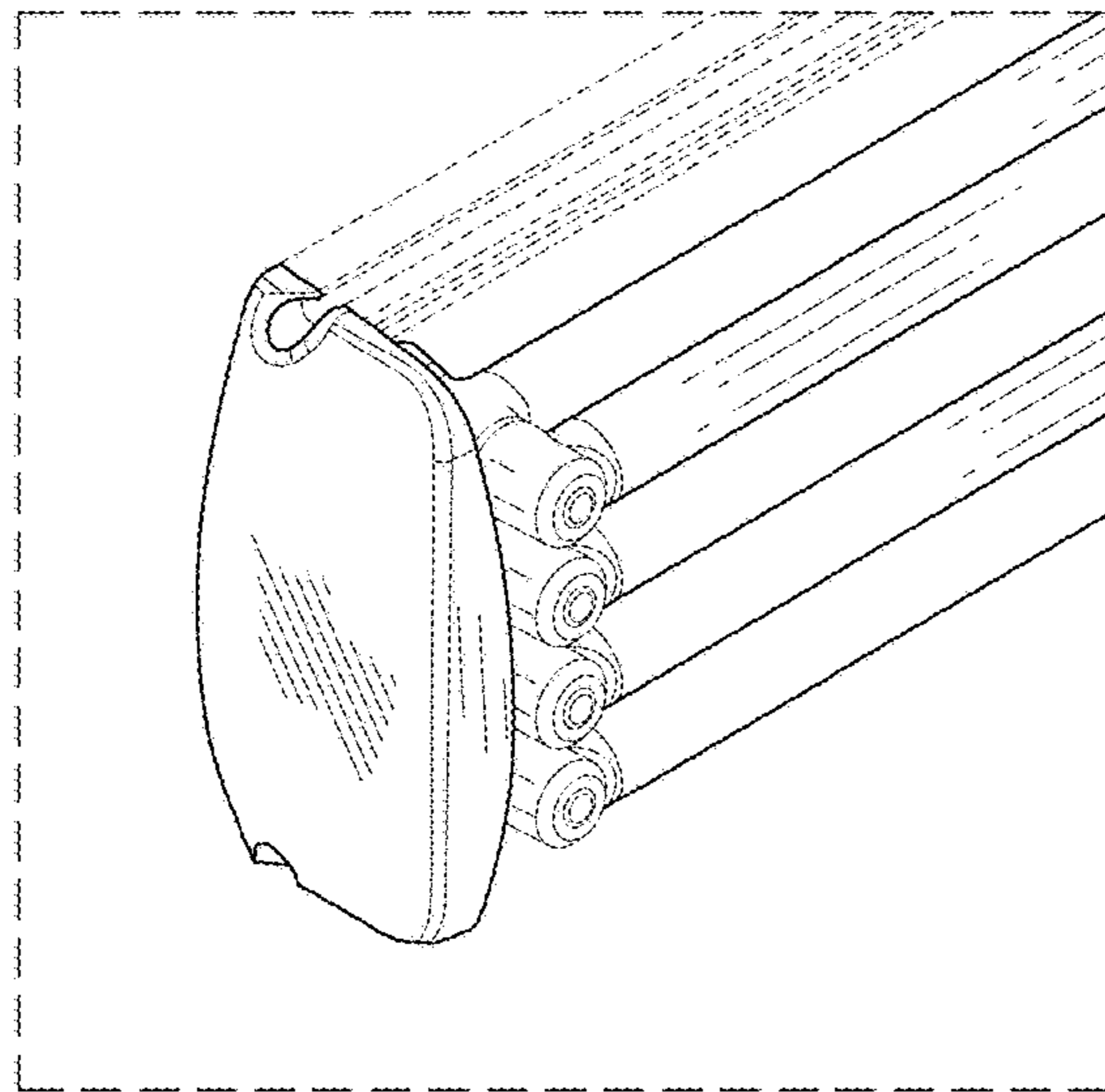


FIG. 10

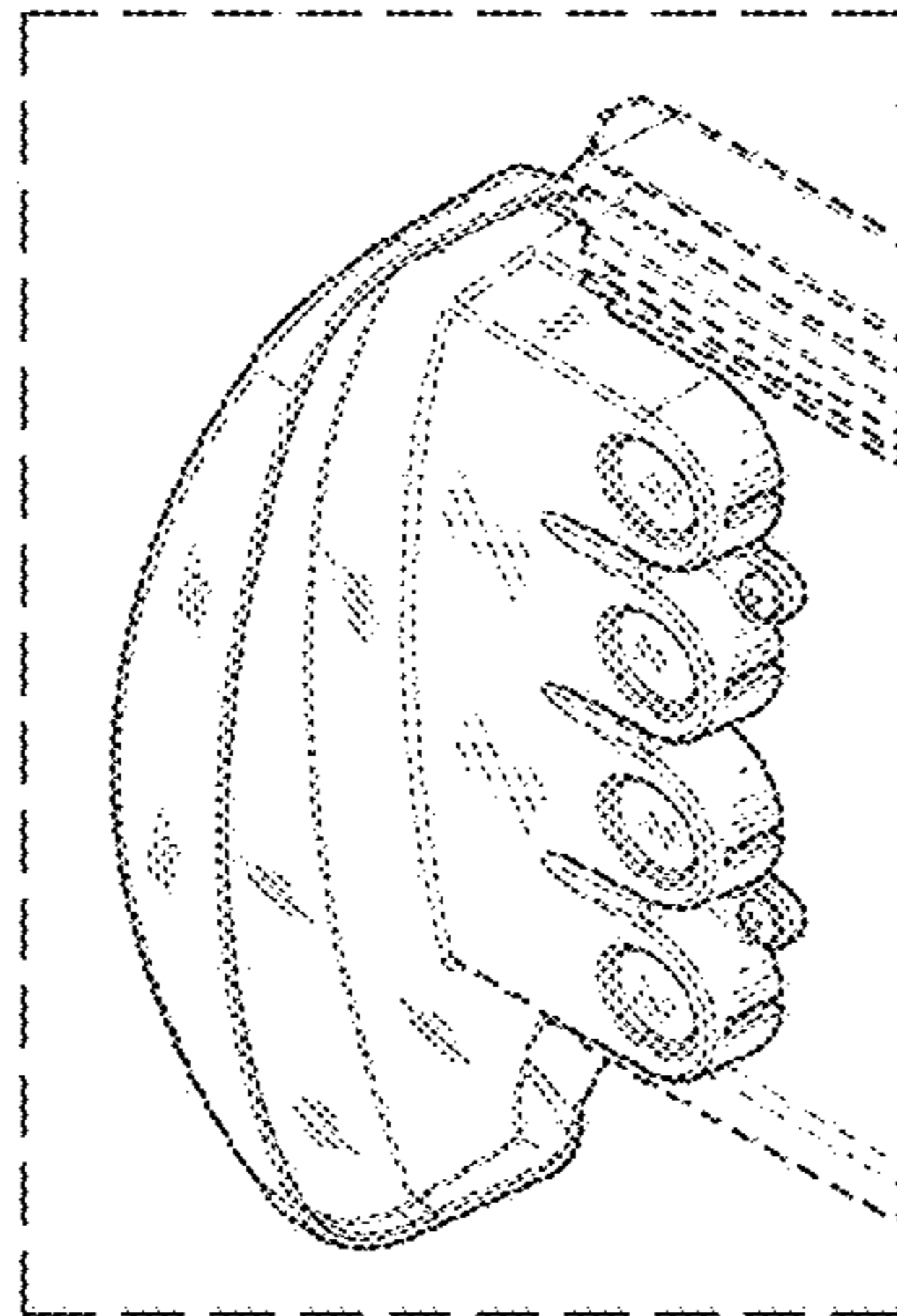


FIG. 11