



US00D870317S

(12) **United States Design Patent** (10) **Patent No.:** **US D870,317 S**
King (45) **Date of Patent:** **** Dec. 17, 2019**

(54) **GATE ASSEMBLY**
(71) Applicant: **CK Manufacturing, LLC**, Lancaster, PA (US)
(72) Inventor: **Crist King**, Paradise, PA (US)
(73) Assignee: **CK Manufacturing, LLC**, Lancaster, PA (US)
(**) Term: **15 Years**

6,010,168 A 1/2000 Johnson
6,036,245 A 3/2000 Schaefer
6,715,182 B2 4/2004 Cheng
D532,840 S * 11/2006 Krlin D21/698
D538,944 S * 3/2007 Link D25/48.5
D596,760 S * 7/2009 Bock D25/38.1
7,743,556 B2 * 6/2010 Stoffels E05B 65/0007
256/73
8,186,729 B2 5/2012 Dudley
8,534,005 B2 9/2013 Thomas et al.
8,800,110 B1 8/2014 Stephenson
(Continued)

(21) Appl. No.: **29/646,023**
(22) Filed: **May 1, 2018**
(51) **LOC (12) Cl.** **25-02**
(52) **U.S. Cl.**
USPC **D25/48.5**
(58) **Field of Classification Search**
USPC D25/39, 48.3, 48.5
CPC E06B 11/00; E06B 11/022; E06B 11/02;
E05C 1/006; E05C 1/085; E05C 1/14;
E05D 3/02; E05D 7/02; E05D 7/1044;
A01K 1/0017; E05F 1/066
See application file for complete search history.

OTHER PUBLICATIONS

Cow Fences Lancaster PA Cow Gates CK Manufacturing <https://www.ckmanufacturing.com/gates-fences.php> Jul. 1, 2019 (Year: 2019).*

Primary Examiner — Leanne Was-Englehart
(74) *Attorney, Agent, or Firm* — Barley Snyder

(57) **CLAIM**

The ornamental design for a gate assembly, as shown and described.

DESCRIPTION

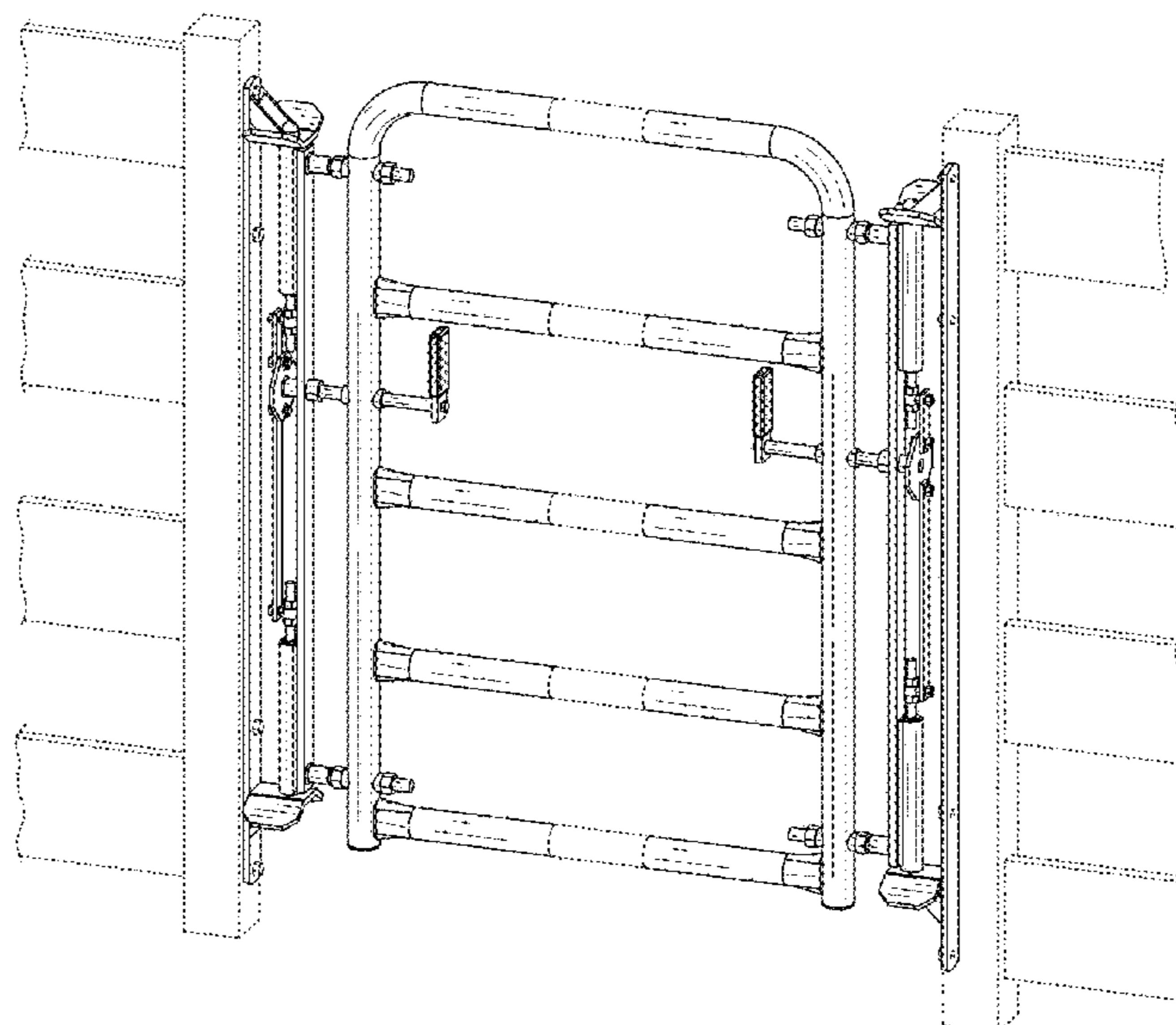
FIG. 1 is a front, top and right side perspective view of a gate assembly, showing the new design;
FIG. 2 is a front elevation view thereof;
FIG. 3 is a rear elevation view thereof;
FIG. 4 is a left side elevation view thereof;
FIG. 5 is a right side elevation view thereof;
FIG. 6 is a top plan view thereof;
FIG. 7 is a bottom plan view thereof; and,
FIG. 8 is a rear, top and left side perspective view thereof.
The broken lines shown in the Figures are included to show unclaimed subject matter only and form no part of the claimed design.

(56) **References Cited**

U.S. PATENT DOCUMENTS

348,381 A 8/1886 Cole
1,793,013 A 2/1931 Robertson
2,668,381 A * 2/1954 Ferris A01K 1/0017
119/520
3,030,717 A 4/1962 Lewis
D237,722 S * 11/1975 Kratky D25/48.5
3,921,960 A * 11/1975 Bright E04H 17/1413
256/65.12
D239,543 S * 4/1976 Kratky D25/48.5
5,050,344 A * 9/1991 Skeem E05F 1/066
49/237
5,103,658 A 4/1992 McQuade
5,161,784 A * 11/1992 Sader E01F 13/02
256/19

1 Claim, 6 Drawing Sheets



(56)

References Cited

U.S. PATENT DOCUMENTS

D738,531 S * 9/2015 Prunte D25/39
2013/0292622 A1 * 11/2013 Waite E04F 11/1804
256/65.01

* cited by examiner

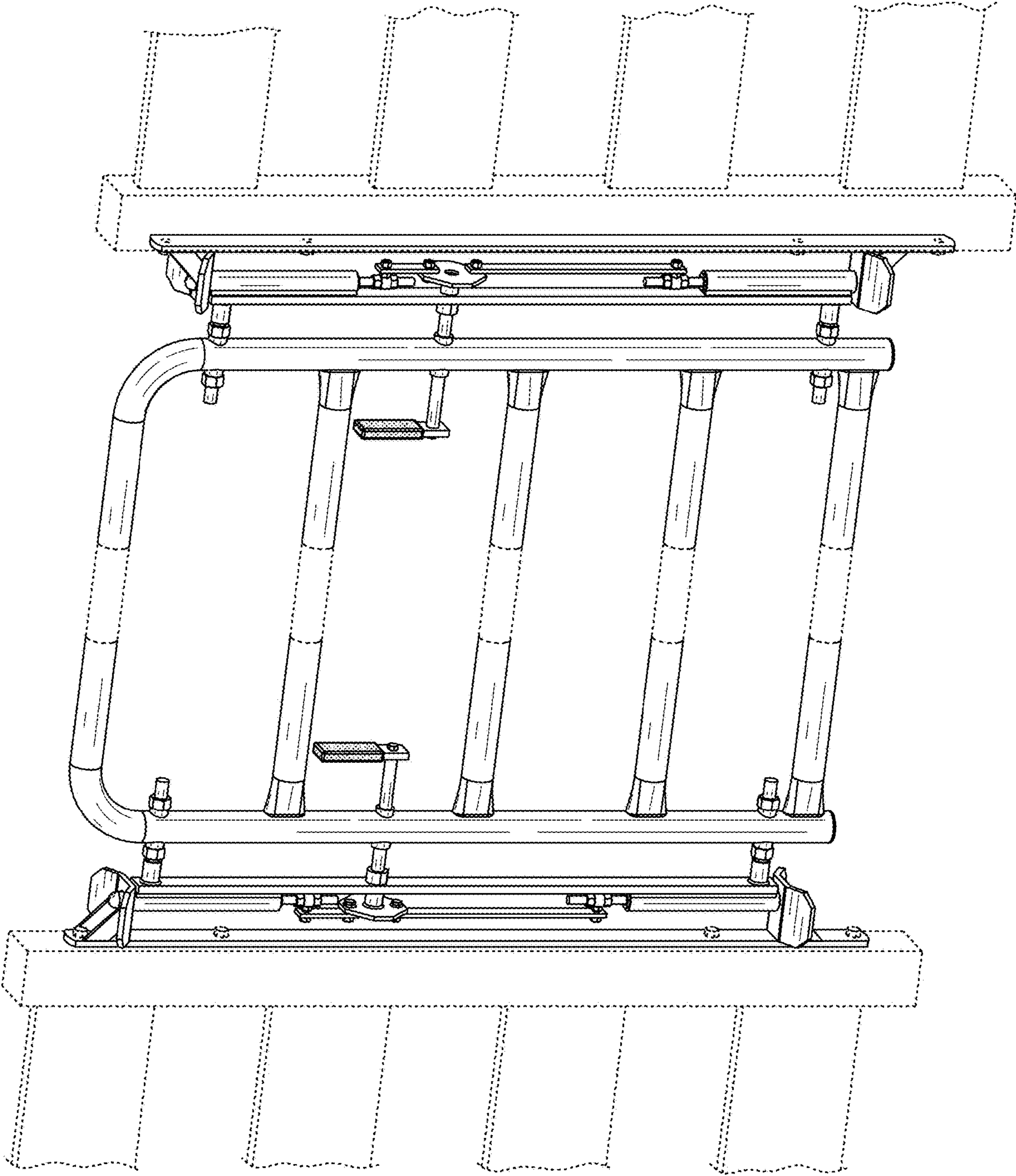


FIG. 1

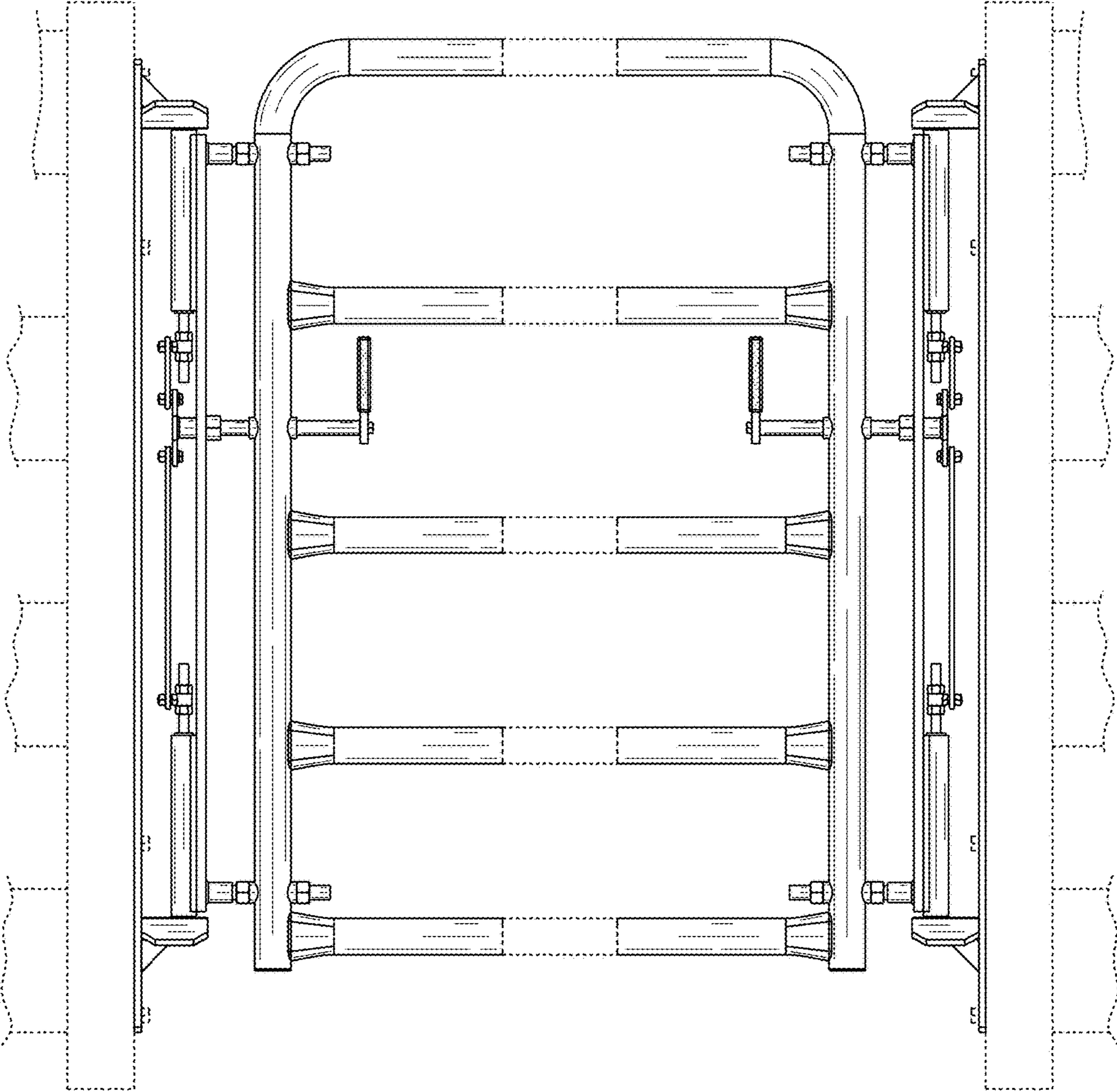


FIG. 2

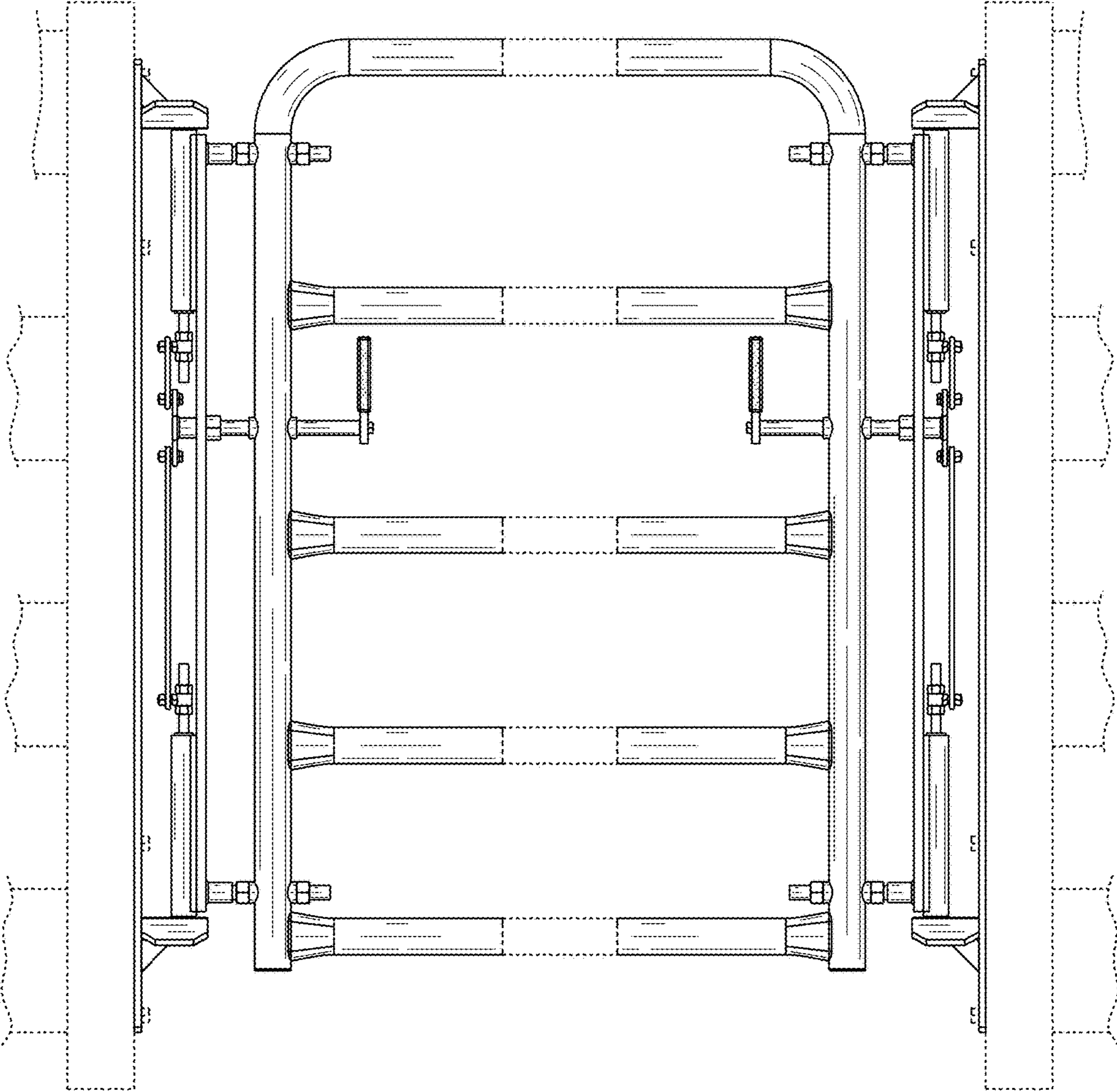


FIG. 3

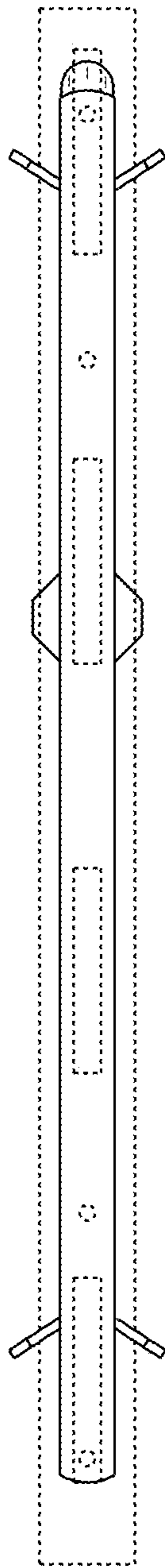


FIG. 4

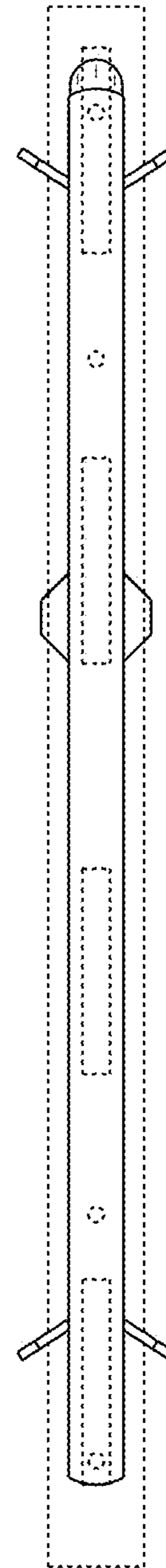


FIG. 5

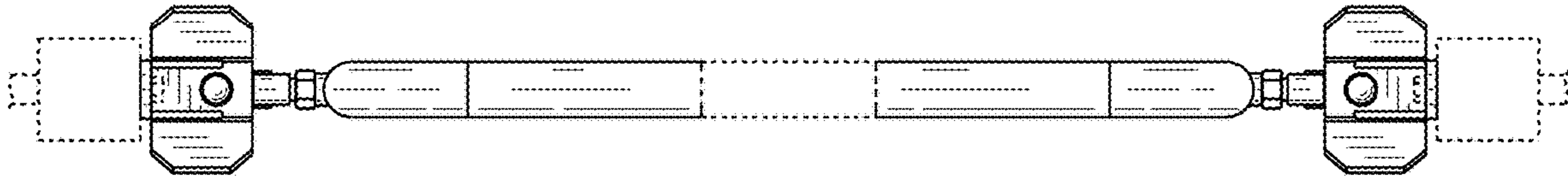


FIG. 6

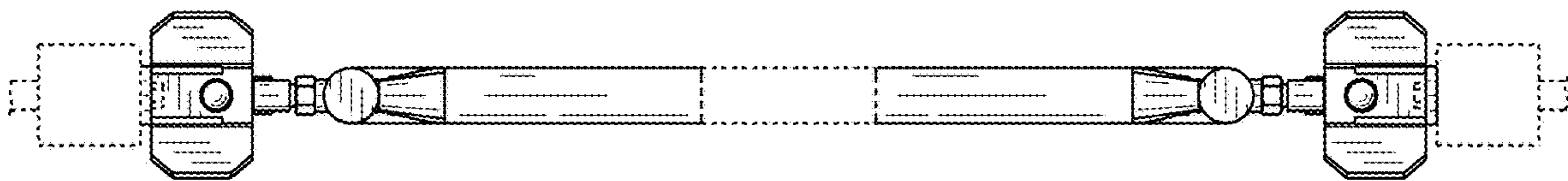


FIG. 7

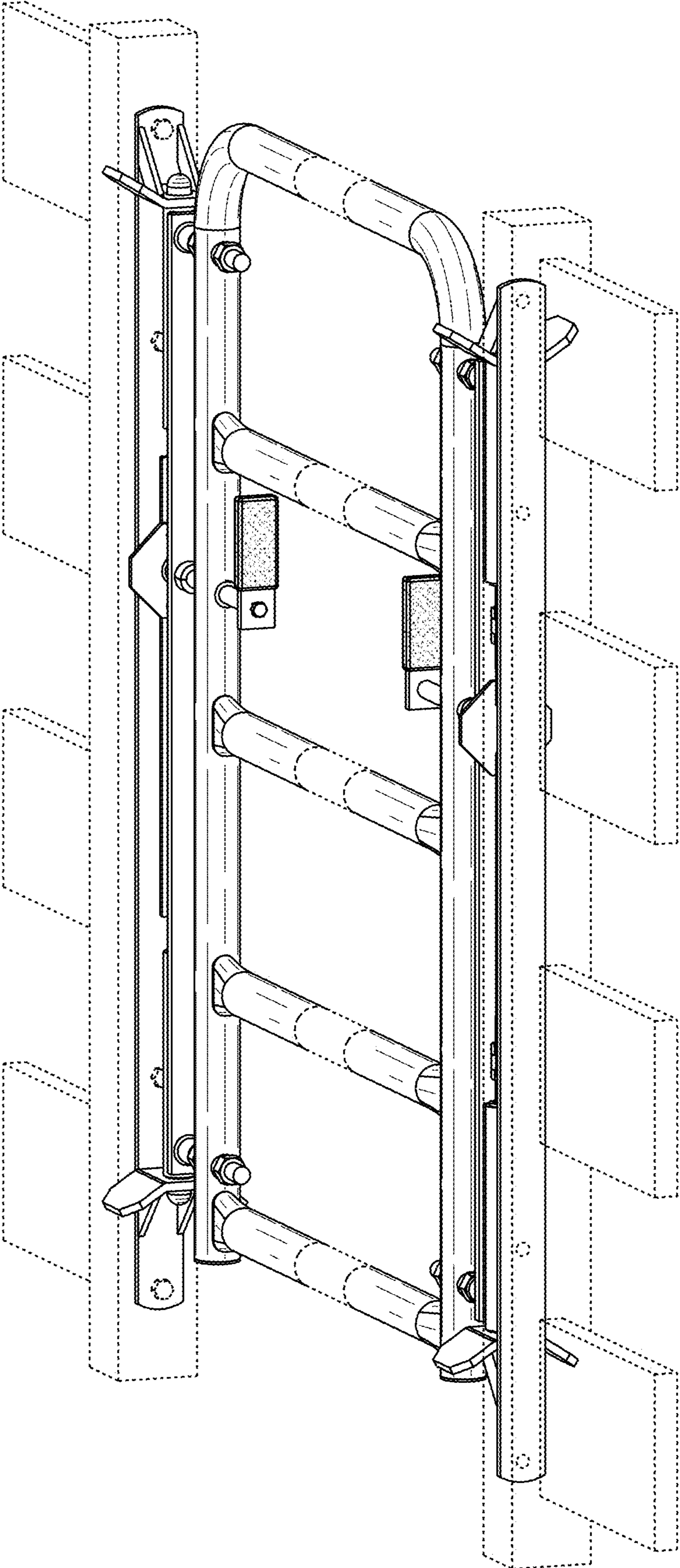


FIG. 8