



US00D870316S

(12) **United States Design Patent**
Haveri et al.

(10) **Patent No.:** **US D870,316 S**

(45) **Date of Patent:** **** Dec. 17, 2019**

(54) **TELEPHONE BOOTH**

(71) Applicant: **FRAMERY OY**, Tampere (FI)

(72) Inventors: **Janne Haveri**, Tampere (FI); **Mikko Tamminen**, Tampere (FI); **Pekka Toivola**, Nummela (FI); **Matias Penttilä**, Tampere (FI); **Mikko Lanne**, Tampere (FI)

(73) Assignee: **Framery OY**, Tampere (FI)

(**) Term: **15 Years**

(21) Appl. No.: **29/654,397**

(22) Filed: **Jun. 22, 2018**

(30) **Foreign Application Priority Data**

Dec. 22, 2017 (WO) DM/099318

(51) **LOC (12) Cl.** **25-03**

(52) **U.S. Cl.**
USPC **D25/16**

(58) **Field of Classification Search**
USPC D25/1, 4, 15, 16, 17-35; D6/640;
52/79.1
CPC .. E04H 1/00-1244; E04H 1/125-1277; E04H
1/14; E04H 2001/1283-1294; E04H 9/14
See application file for complete search history.

(56) **References Cited**

U.S. PATENT DOCUMENTS

D732,691 S * 6/2015 Hallfors D25/16
D736,949 S * 8/2015 Dar D25/16
D788,318 S * 5/2017 Jennings D25/16
D844,810 S * 4/2019 Hallfors D25/16

D844,819 S * 4/2019 Zhu D25/16
D852,376 S * 6/2019 Mikolajczyk D25/16
D856,529 S * 8/2019 Mikolajczyk D25/16
D857,233 S * 8/2019 Zhu D25/16

* cited by examiner

Primary Examiner — Brett Miller

(74) *Attorney, Agent, or Firm* — Hoffmann & Baron, LLP

(57) **CLAIM**

The ornamental design for a telephone booth, as shown and described.

DESCRIPTION

FIG. 1 is a perspective view showing the front, top and left side of the telephone booth of our new design;

FIG. 2 is a perspective view showing the rear, top and left side thereof;

FIG. 3 is a front view thereof;

FIG. 4 is a rear view thereof;

FIG. 5 is a left side view thereof;

FIG. 6 is a right side view thereof;

FIG. 7 is a top view thereof; and,

FIG. 8 is a bottom view thereof.

1 Claim, 7 Drawing Sheets

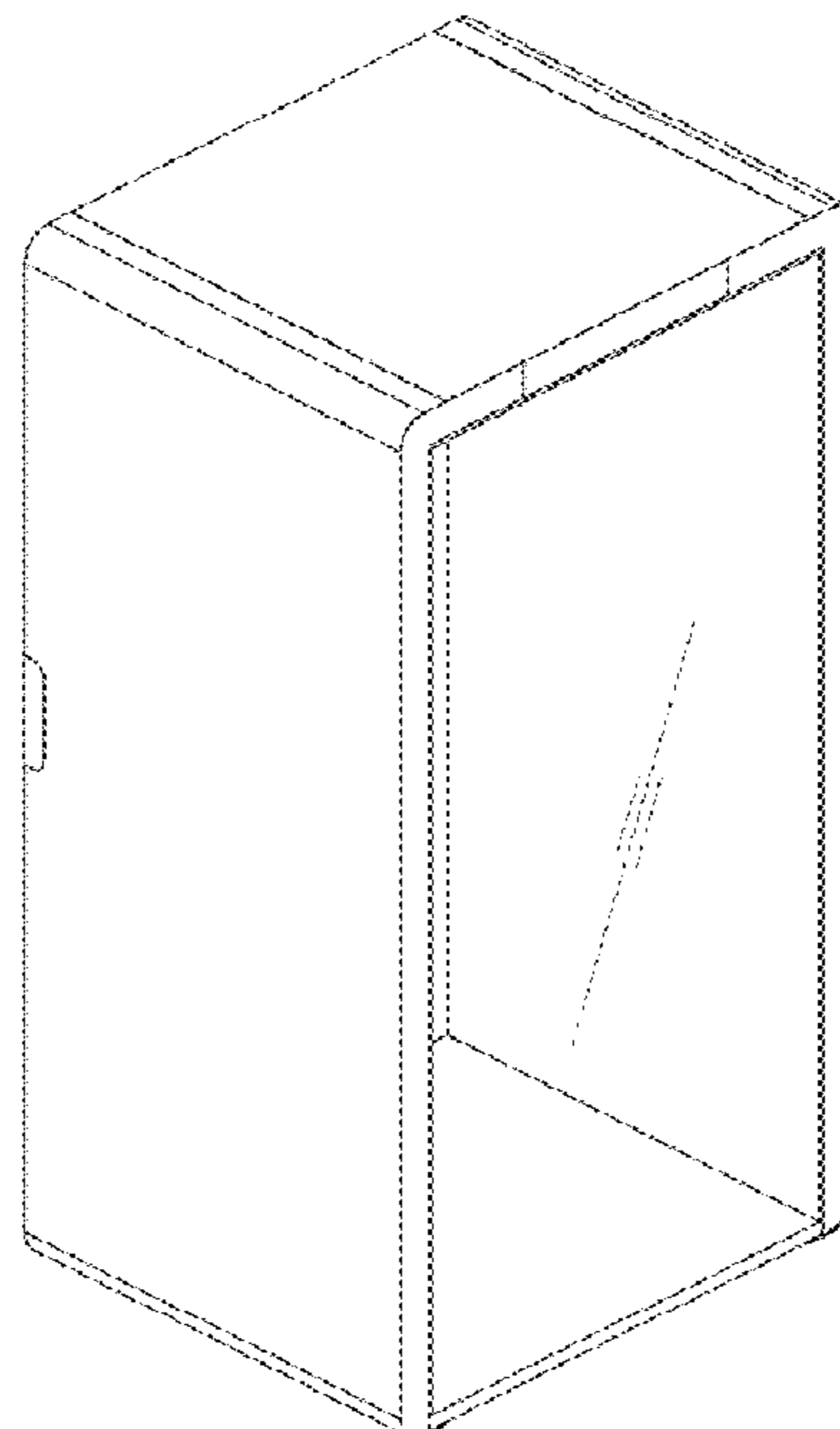
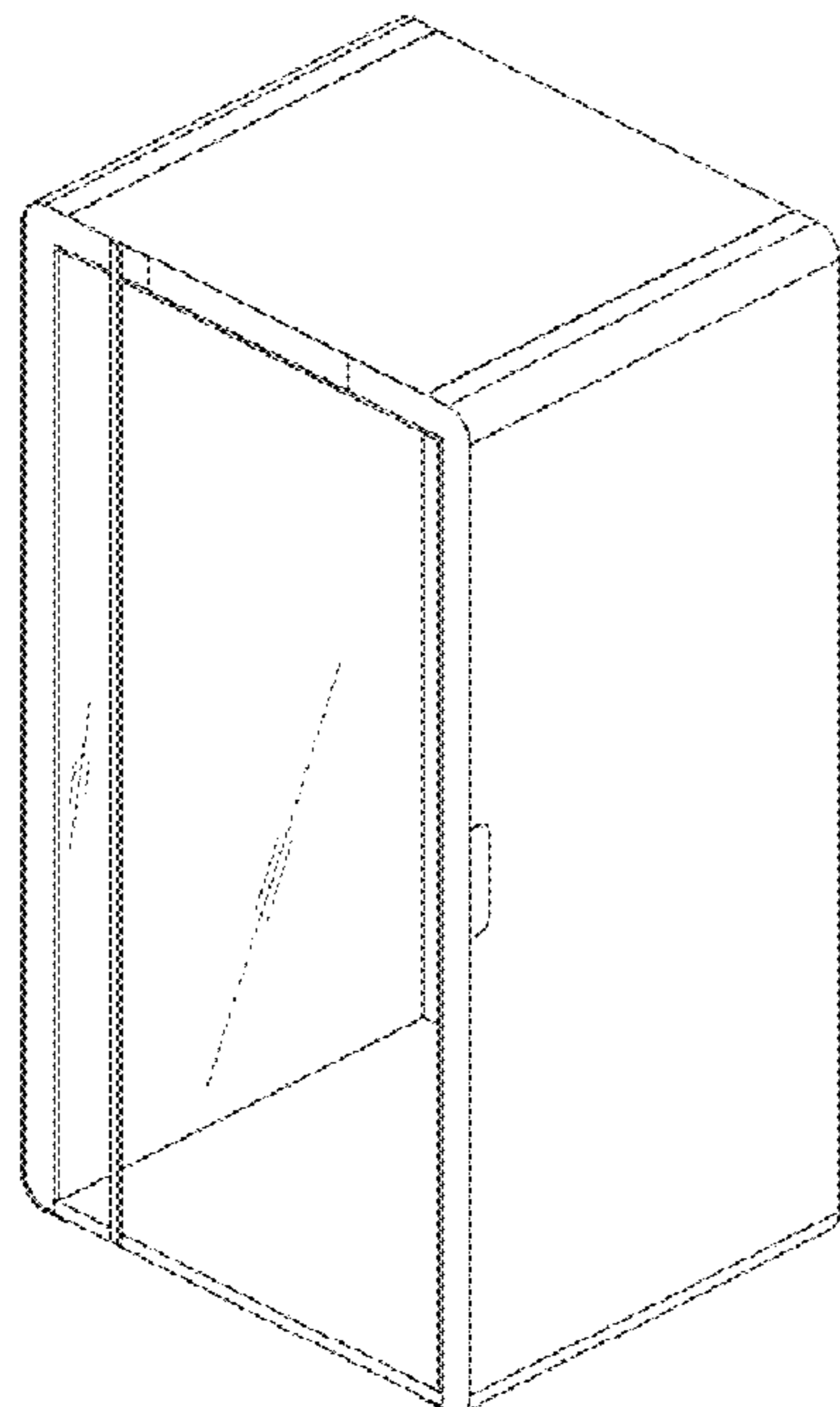


FIG. 1

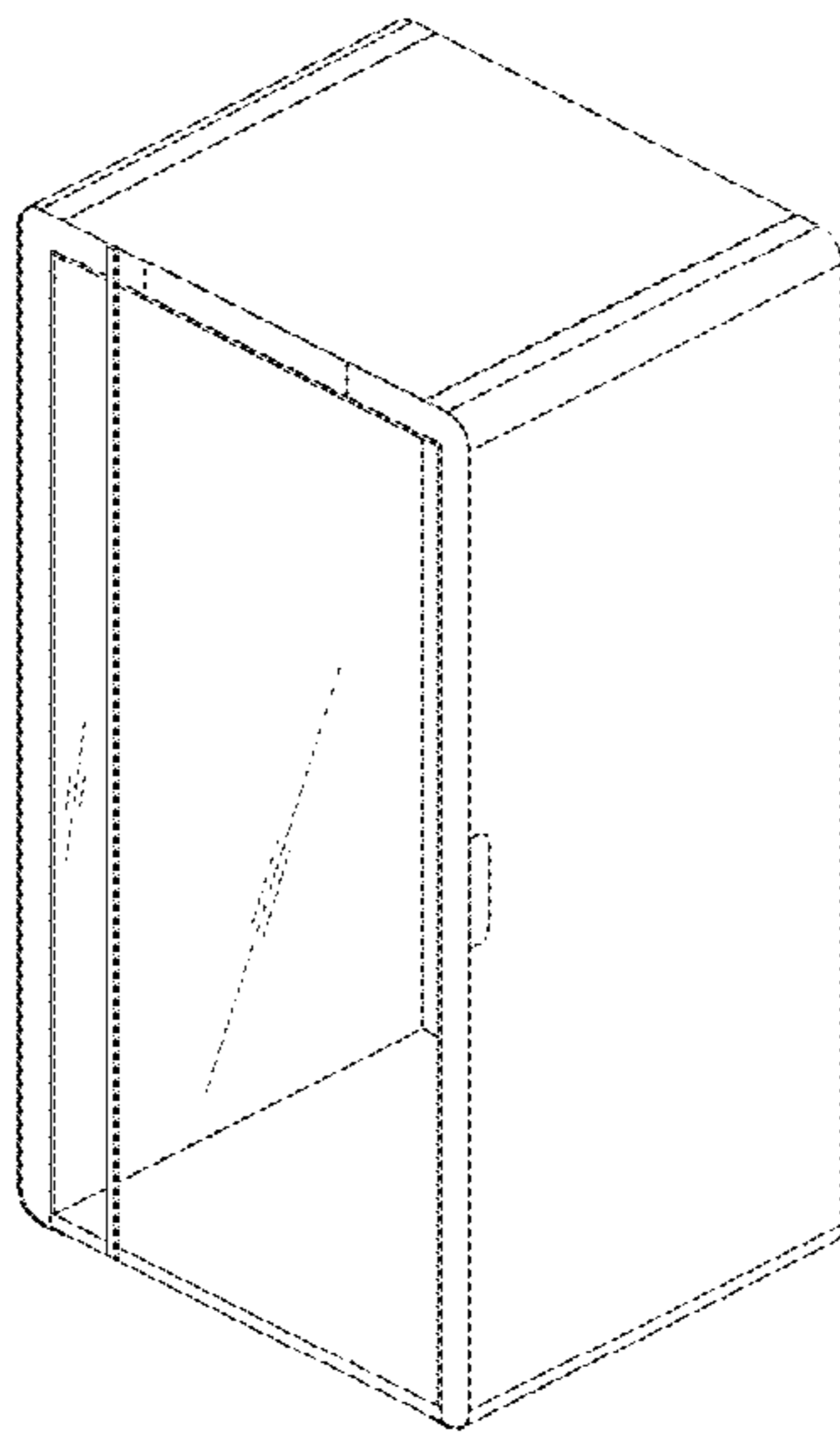


FIG. 2

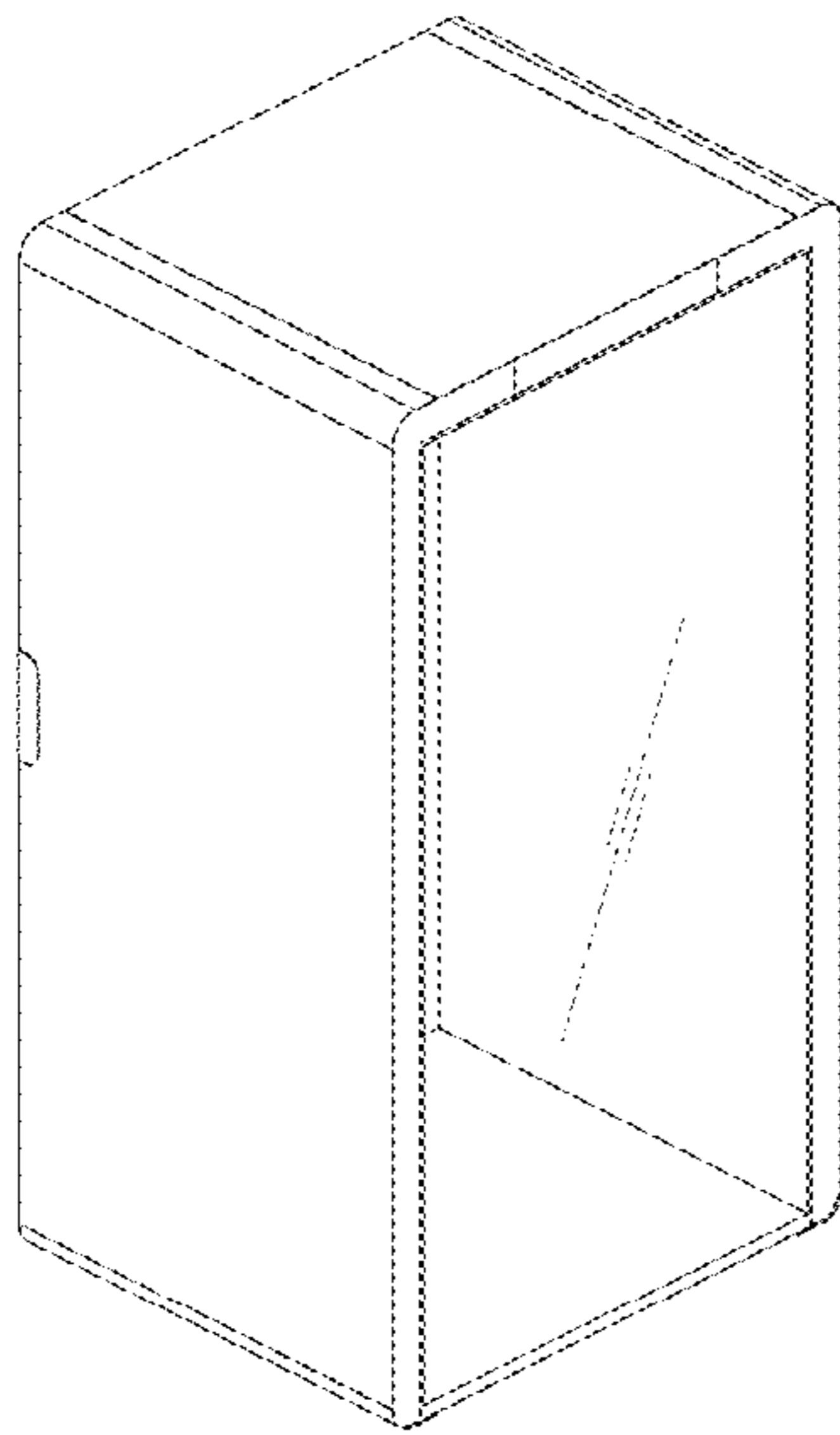


FIG. 3

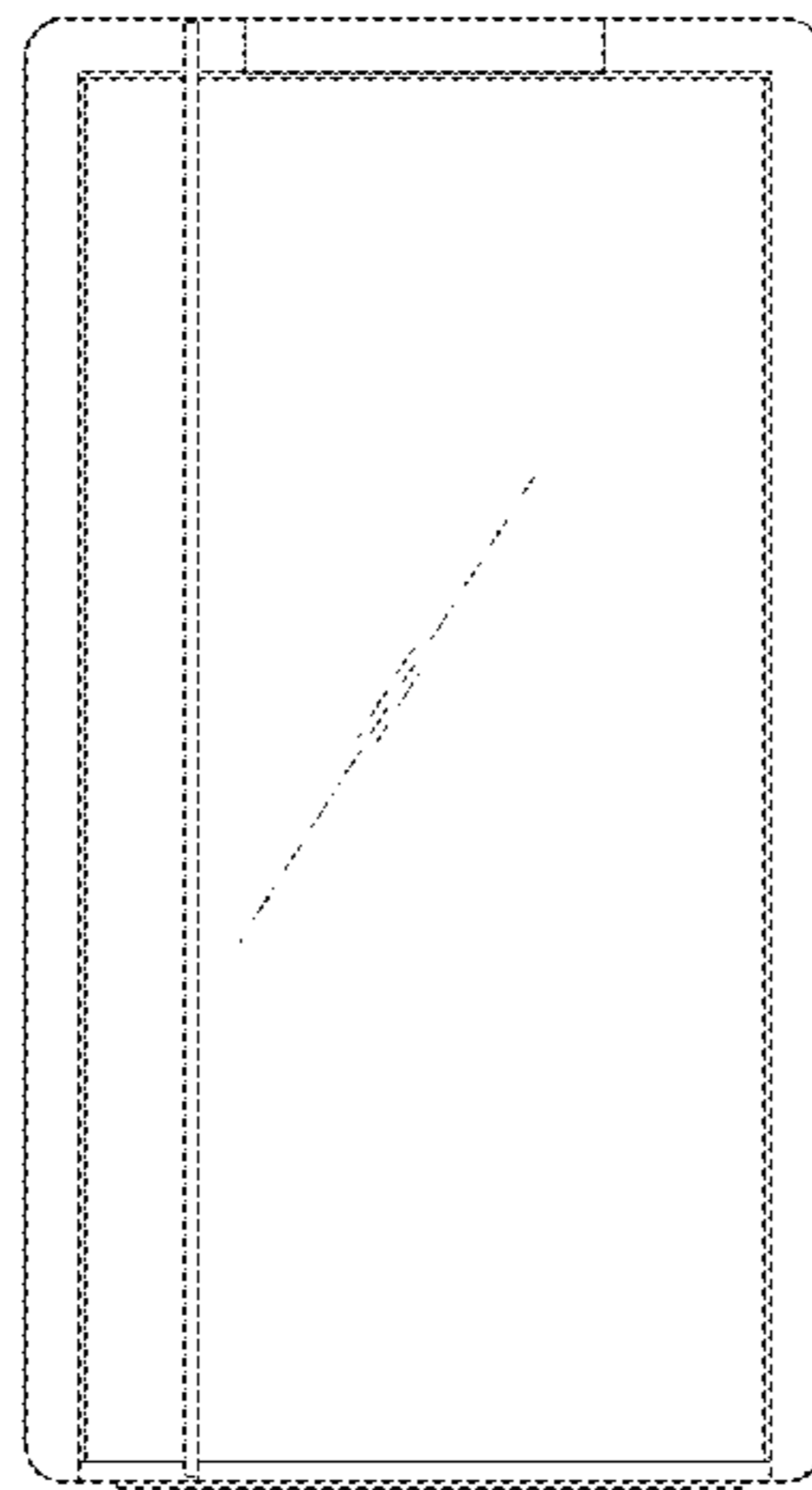


FIG. 4

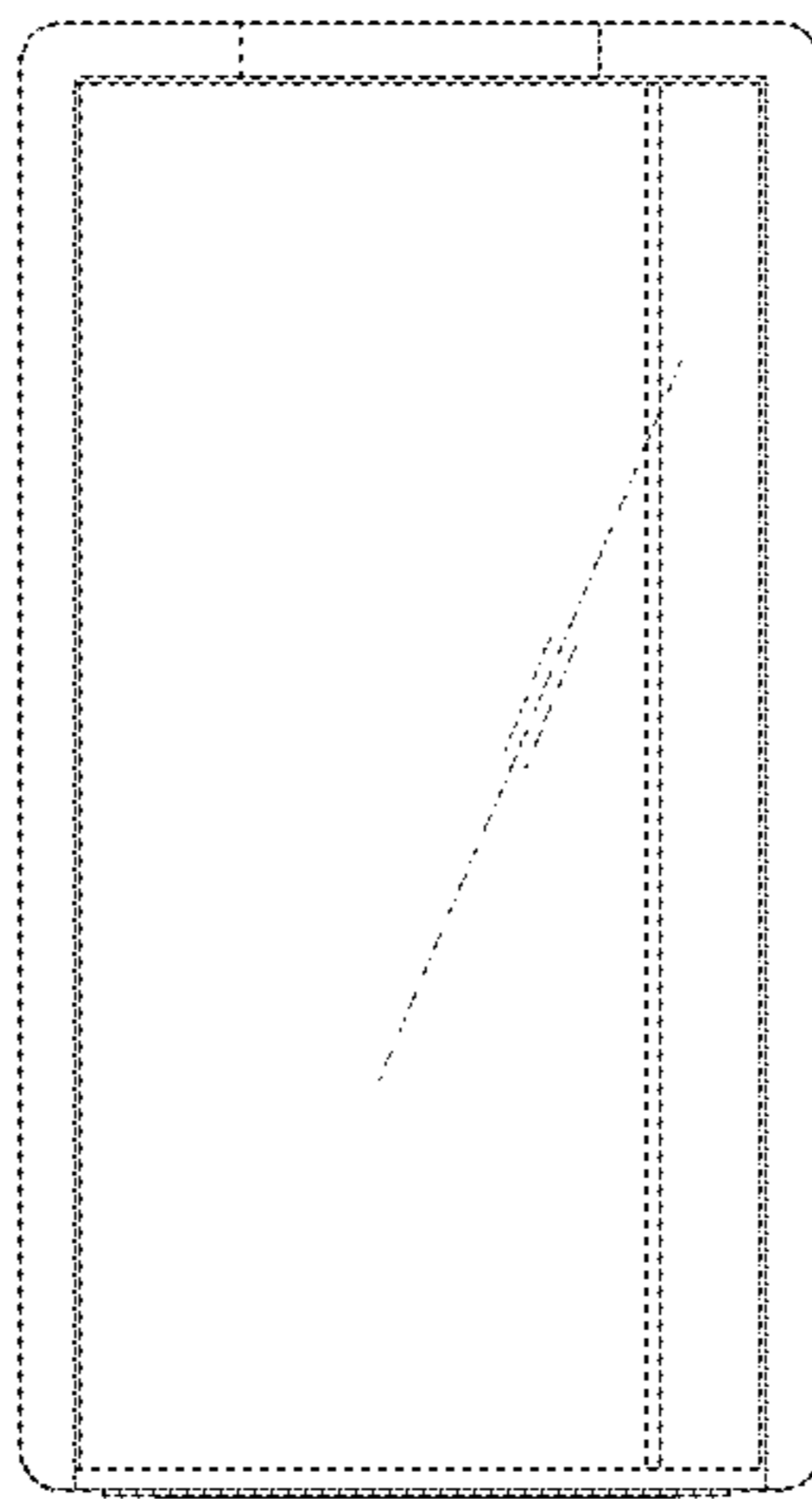


FIG. 5

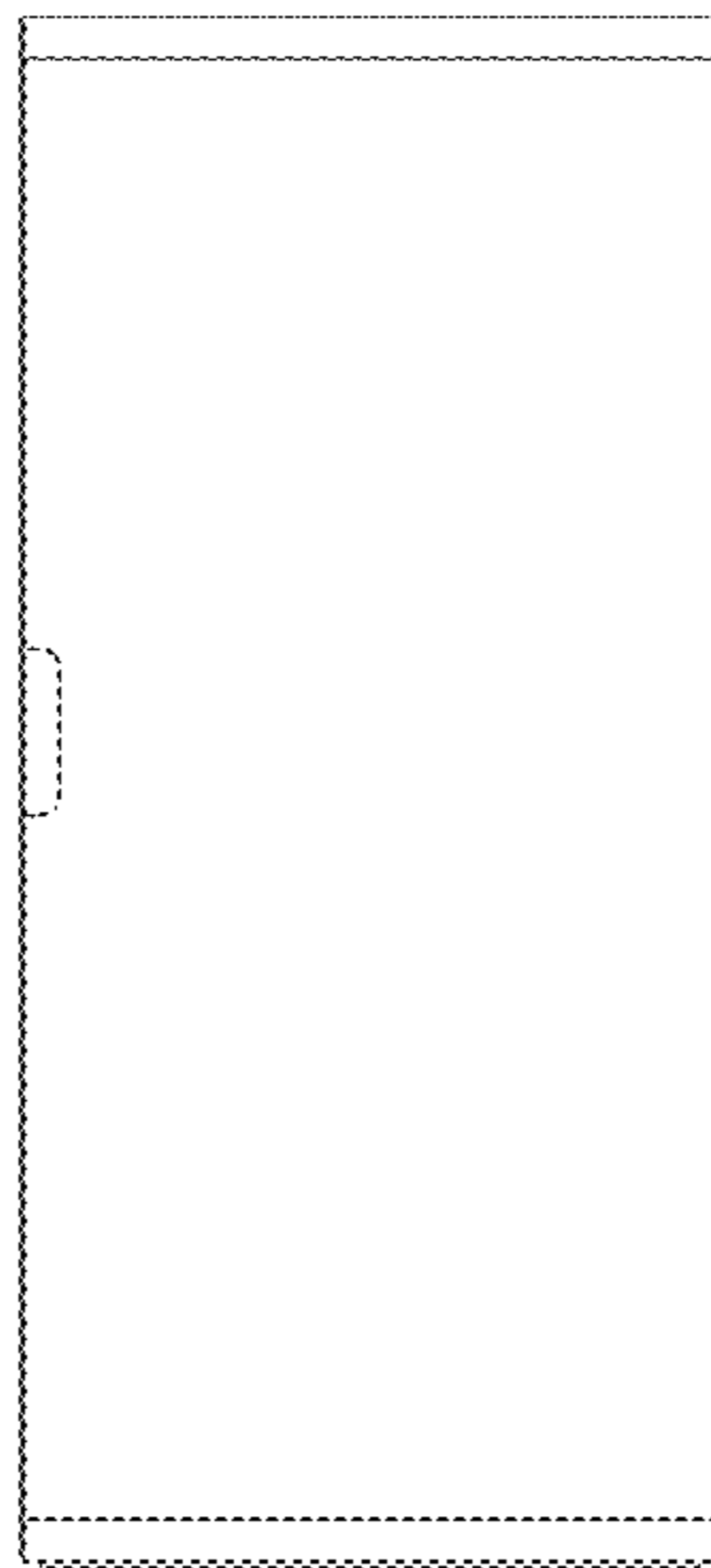


FIG. 6

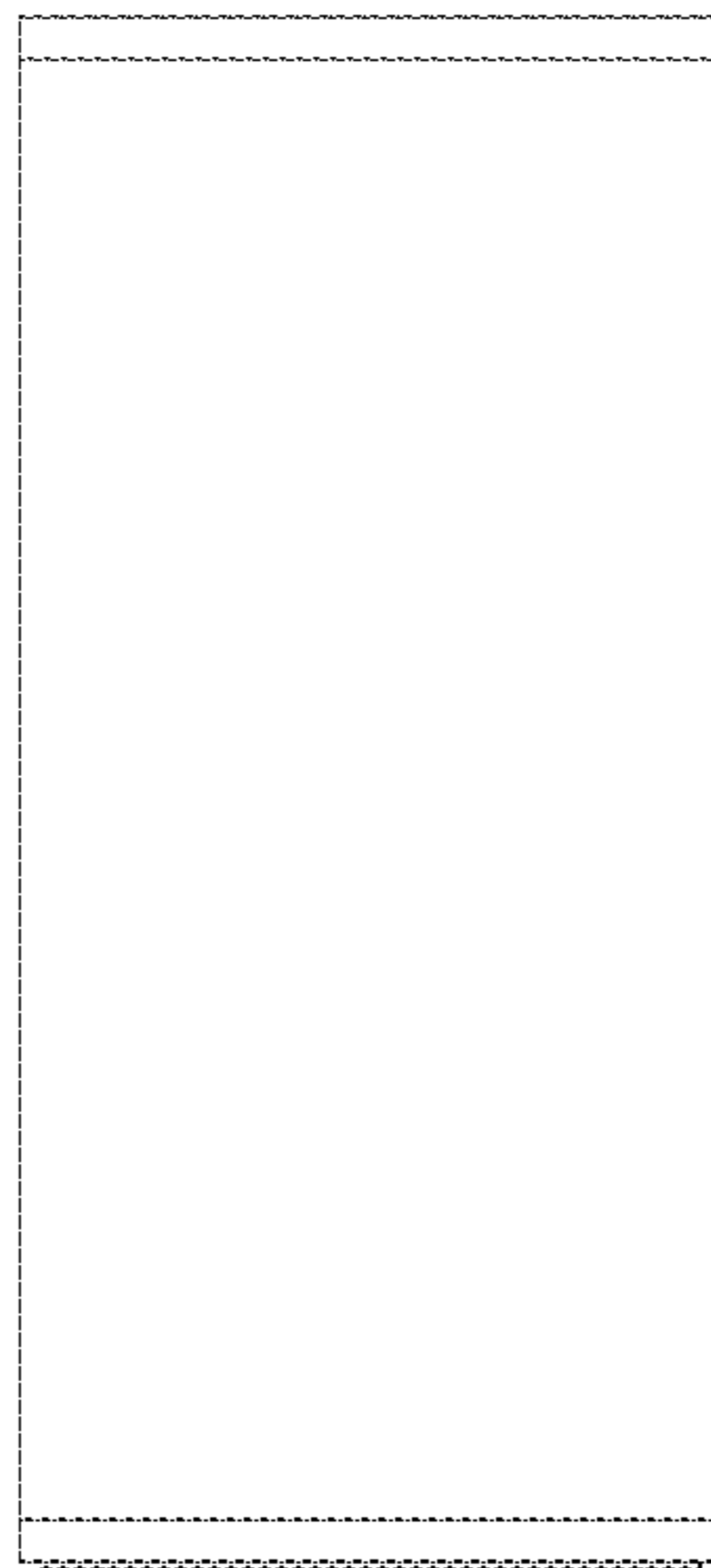


FIG. 7

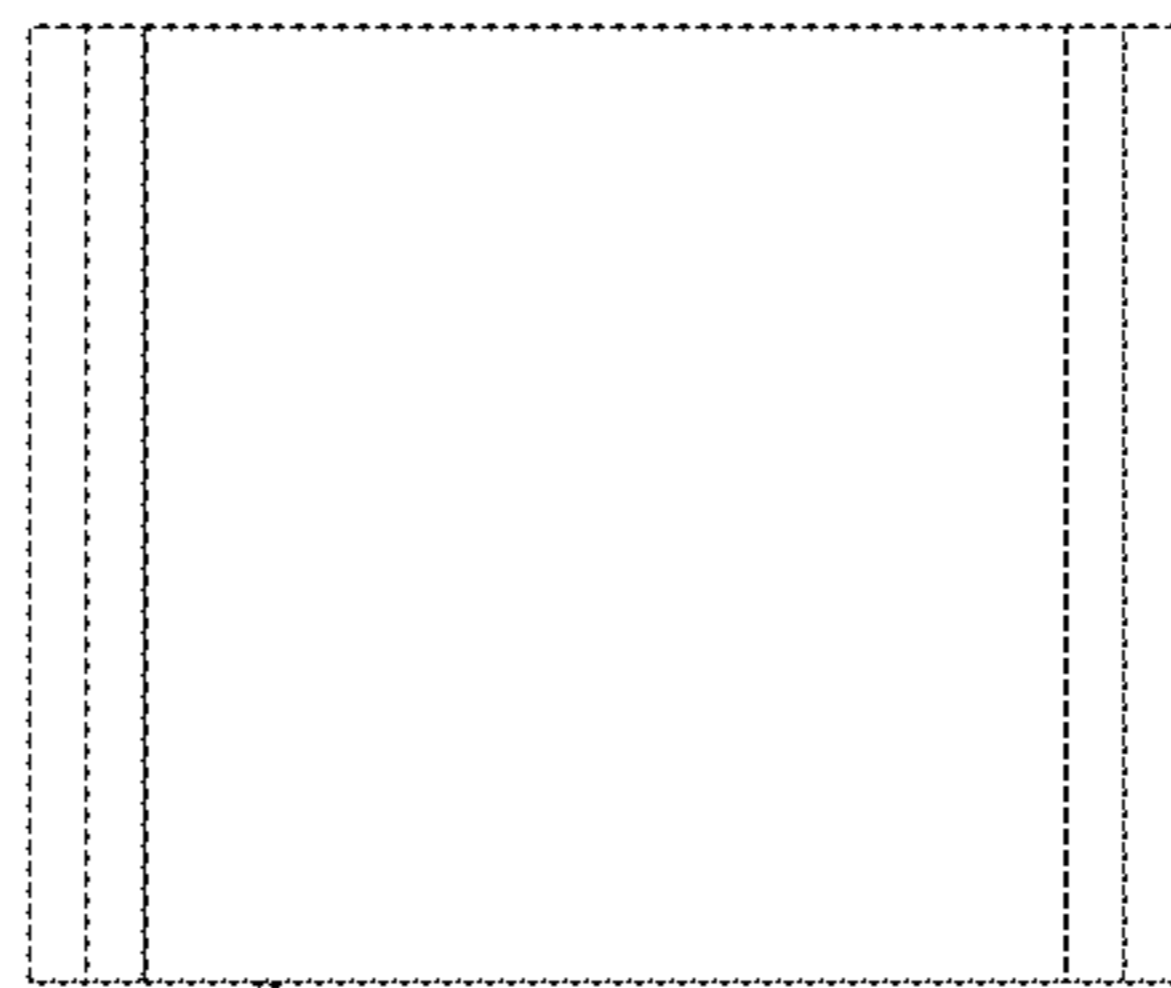


FIG. 8

