



US00D870312S

(12) **United States Design Patent** (10) **Patent No.:** **US D870,312 S**  
**Aoki** (45) **Date of Patent:** **\*\* Dec. 17, 2019**

(54) **CONTAINER FOR MIXING REAGENTS**

(71) Applicant: **TAUNS LABORATORIES, INC.,**  
Shizuoka-Ken (JP)

(72) Inventor: **Keiji Aoki, Izunokuni (JP)**

(73) Assignee: **TAUNS LABORATORIES, INC.,**  
Shizuoka-ken (JP)

(\*\*) Term: **15 Years**

(21) Appl. No.: **35/505,318**

(22) Filed: **Jan. 18, 2018**

(80) **Hague Agreement Data**

Int. Filing Date: **Jan. 18, 2018**

Int. Reg. No.: **DM/100770**

Int. Reg. Date: **Jan. 18, 2018**

Int. Reg. Pub. Date: **Jul. 20, 2018**

(30) **Foreign Application Priority Data**

Jul. 21, 2017 (JP) ..... 2017-015797

Jul. 21, 2017 (JP) ..... 2017-015798

(51) **LOC (12) Cl.** ..... **24-02**

(52) **U.S. Cl.**  
USPC ..... **D24/216**

(58) **Field of Classification Search**  
USPC ..... D24/216, 186, 220, 224, 227, 232, 234  
CPC . H01L 21/3065; H01L 21/67069; H05H 1/46;  
B01D 2315/02; B01D 2317/00; B01D  
61/18; B01D 61/22; B01D 63/16  
See application file for complete search history.

(56) **References Cited**

**U.S. PATENT DOCUMENTS**

D383,214 S \* 9/1997 Brennan ..... D24/224

D383,851 S \* 9/1997 Wong ..... D24/224

D402,768 S *	12/1998	Paoli	.....	D24/232
D471,988 S *	3/2003	Lueth	.....	D24/220
D574,507 S *	8/2008	Muir	.....	D24/224
D631,169 S *	1/2011	Cheeley	.....	D24/224
D634,024 S *	3/2011	Karpiloff	.....	D24/224
D639,978 S *	6/2011	Roos	.....	D24/169
D645,973 S *	9/2011	Hoenes	.....	D24/224
D645,974 S *	9/2011	Roos	.....	D24/227
D665,095 S *	8/2012	Wilson	.....	D24/227
D742,027 S *	10/2015	Lentz	.....	D24/224
D779,678 S *	2/2017	Feins	.....	D24/227
D787,087 S *	5/2017	Duffy	.....	D24/227
D799,717 S *	10/2017	Bohm	.....	D24/232
D803,276 S *	11/2017	Adjabeng	.....	D15/79
D809,153 S *	1/2018	Noble	.....	D24/220
D814,652 S *	4/2018	Buxton	.....	D24/224
D816,864 S *	5/2018	Lacy	.....	D24/227
D836,014 S *	12/2018	Staton	.....	D10/81
2012/0218854 A1 *	8/2012	Behringer	.....	B01F 9/002 366/140

(Continued)

*Primary Examiner* — Eliza Z Bennett-Hattan

(74) *Attorney, Agent, or Firm* — Schwegman Lundberg & Woessner, P.A.

(57) **CLAIM**

The ornamental design for a container for mixing reagents, as shown and described.

**DESCRIPTION**

Container for mixing reagents

**1.1** : Front perspective view

**1.2** : Back perspective view

**1.3** : Front

**1.4** : Back

**1.5** : Top

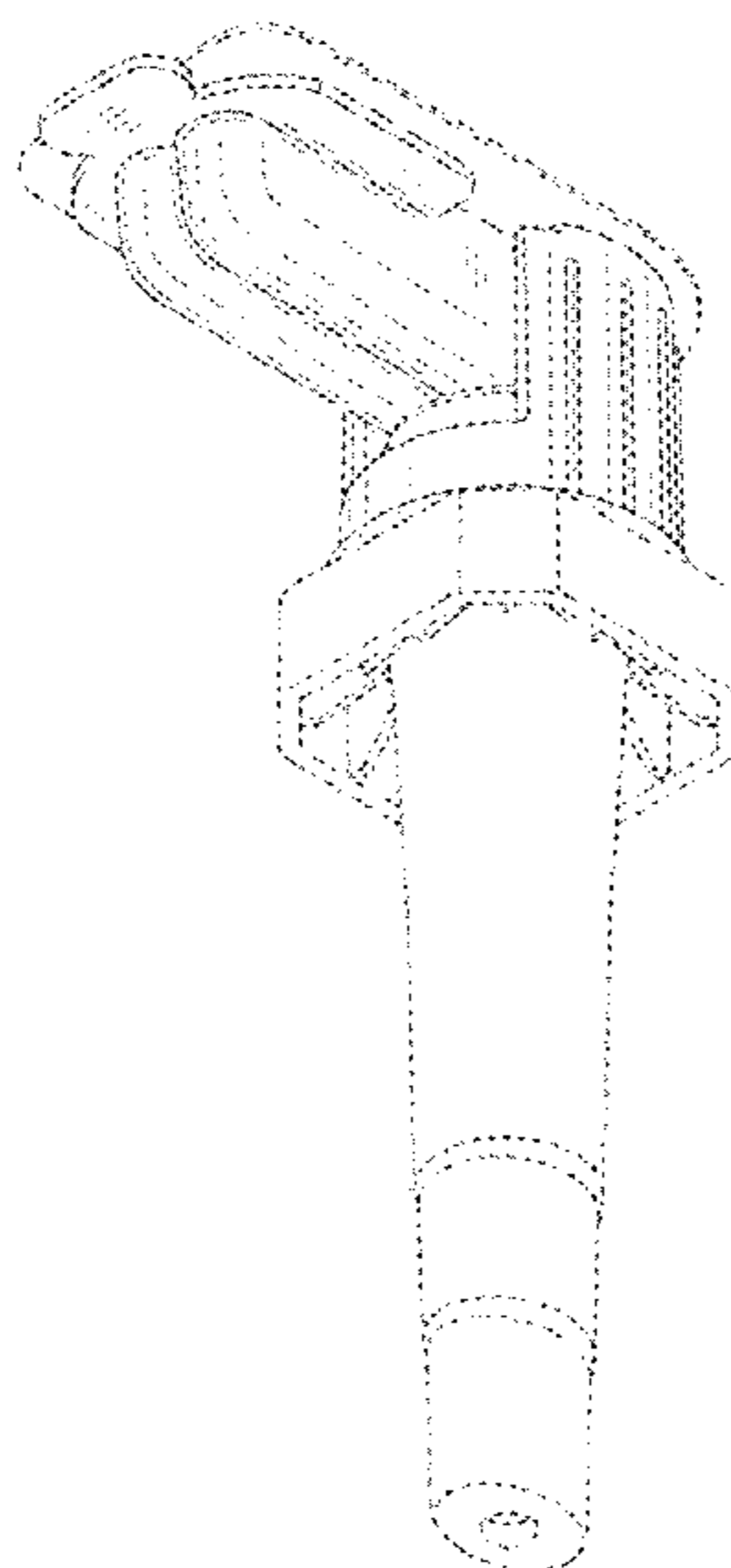
**1.6** : Bottom

**1.7** : Right

**1.8** : Left

The broken lines in the drawing depict environmental subject matter only and form no part of the claimed design.

**1 Claim, 8 Drawing Sheets**



(56)

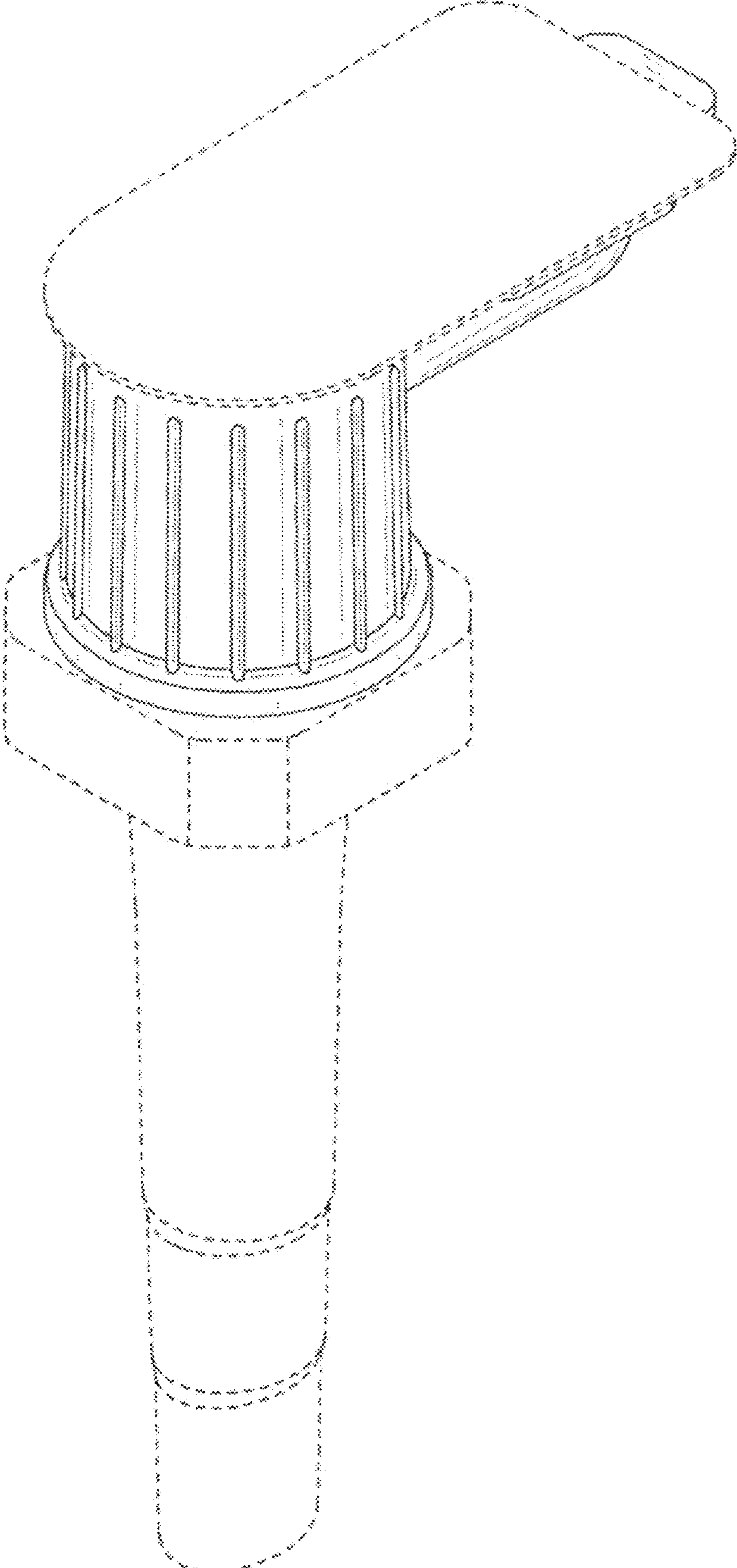
**References Cited**

U.S. PATENT DOCUMENTS

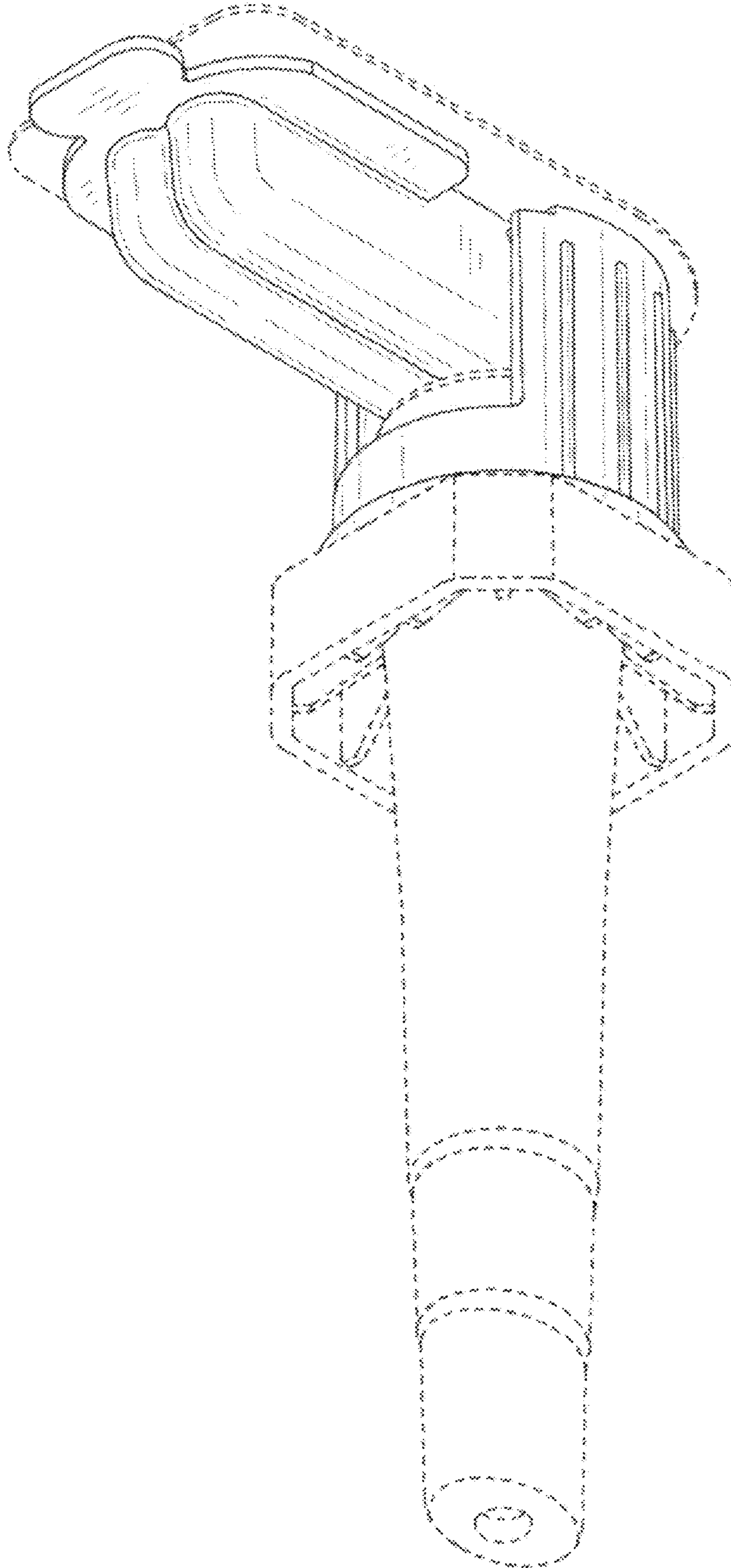
2016/0175841 A1\* 6/2016 Hiramura ..... B01L 3/527  
422/559

\* cited by examiner

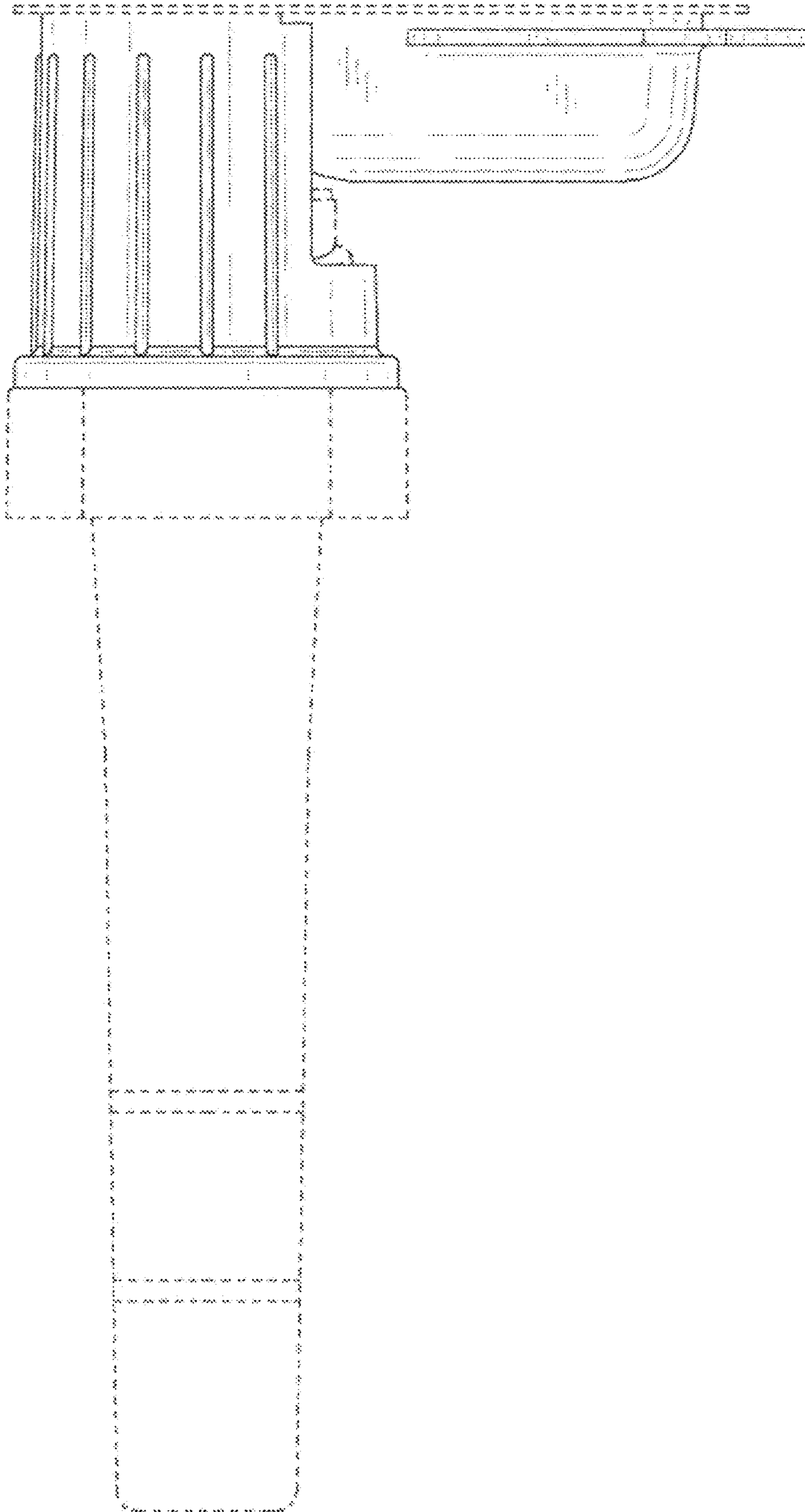
1.1



1.2

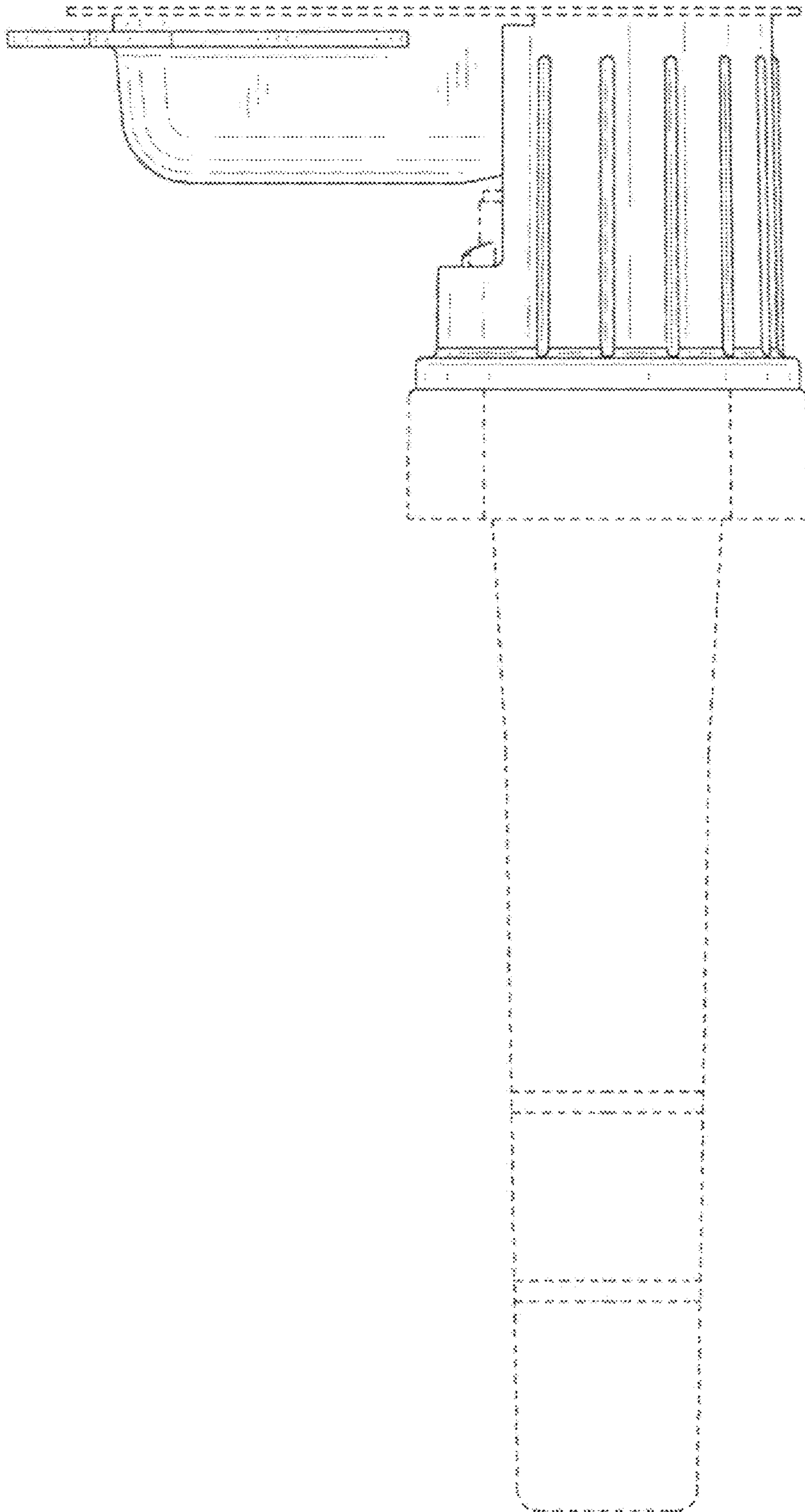


1.3





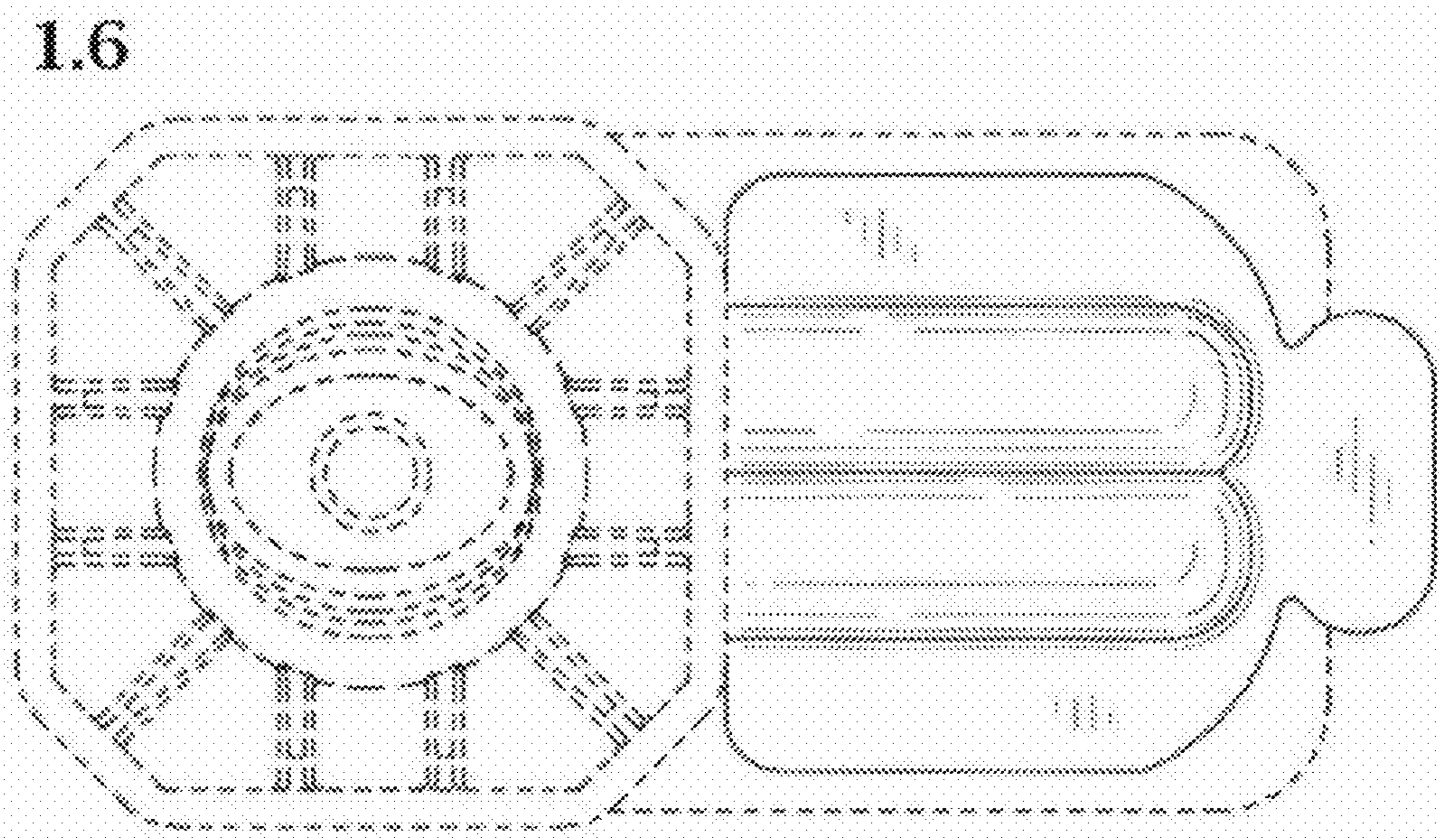
1.4



1.5

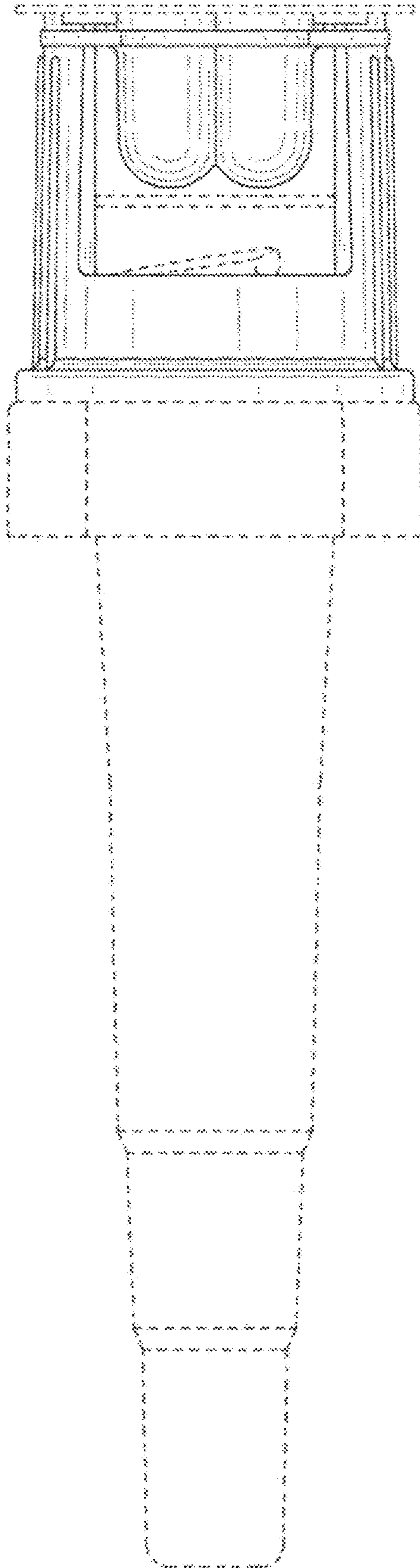


1.6





1.7



1.8

