



US00D870310S

(12) **United States Design Patent** (10) **Patent No.:** **US D870,310 S**
Kang (45) **Date of Patent:** **** *Dec. 17, 2019**

(54) **DEGASSER**
(71) Applicant: **SHIMADZU CORPORATION**, Kyoto (JP)
(72) Inventor: **Hyeri Kang**, Kyoto (JP)
(73) Assignee: **SHIMADZU CORPORATION**, Kyoto (JP)

D588,276 S * 3/2009 Isozaki D24/232
D637,929 S * 5/2011 Kimura D10/81
D637,930 S * 5/2011 Kimura D10/81
D640,376 S * 6/2011 Amano D24/107
D646,189 S * 10/2011 Dinter D10/81
D668,349 S * 10/2012 Sun D24/217
D693,938 S * 11/2013 Matoba D24/216
D750,989 S * 3/2016 Shimizu D10/81
D785,198 S * 4/2017 Lemke D24/232
D794,822 S * 8/2017 Choudhary D24/232
D838,198 S * 1/2019 Kimura D10/81

(*) Notice: This patent is subject to a terminal disclaimer.

* cited by examiner

(**) Term: **15 Years**

Primary Examiner — Barbara Fox
Assistant Examiner — Mary Shannon Malley
(74) *Attorney, Agent, or Firm* — JCIPRNET

(21) Appl. No.: **29/657,841**

(22) Filed: **Jul. 25, 2018**

(30) **Foreign Application Priority Data**

Jan. 26, 2018 (JP) 2018-001493

(51) **LOC (12) Cl.** **24-01**

(52) **U.S. Cl.**
USPC **D24/216; D24/232**

(58) **Field of Classification Search**
USPC D24/107, 111, 169, 170, 216–219, D24/185–186, 224, 231–234; D10/81
CPC G01N 2035/00306; G01N 2035/00326; G01N 2035/00336; G01N 2030/381; G01N 2030/386; G01N 2030/027; G01N 2030/8804; G01N 2030/8809; G01N 2030/8813; G01N 2030/8881; G01N 21/76
See application file for complete search history.

(56) **References Cited**

U.S. PATENT DOCUMENTS

D346,662 S * 5/1994 Larsen D24/233
6,592,822 B1 * 7/2003 Chandler G01N 15/1456
356/72

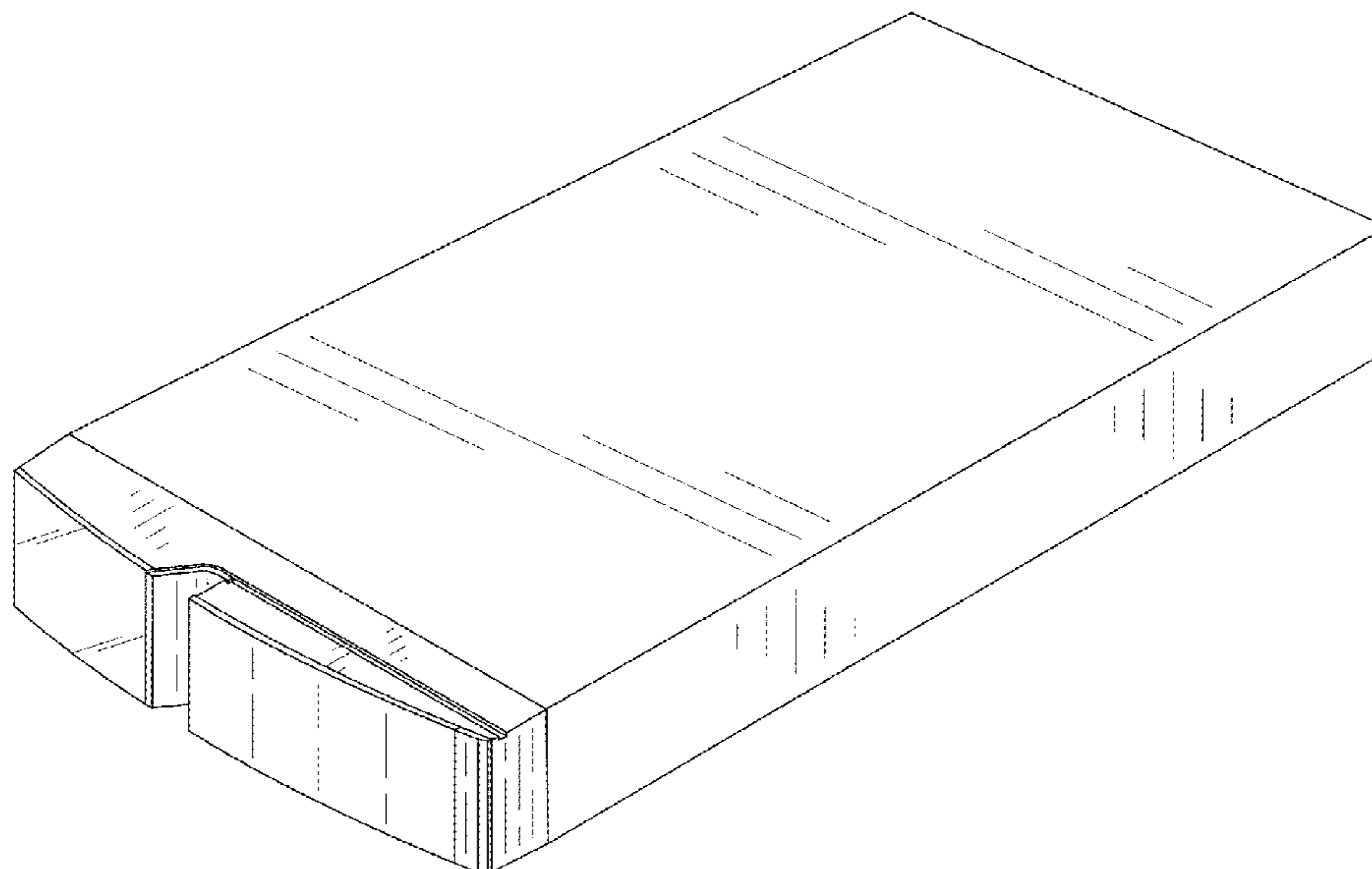
(57) **CLAIM**

The ornamental design for a degasser, as shown and described.

DESCRIPTION

FIG. 1 is a perspective view of a degasser showing my new design;
FIG. 2 is another perspective view thereof;
FIG. 3 is a front view thereof;
FIG. 4 is a rear view thereof;
FIG. 5 is a left side view thereof;
FIG. 6 is a right side view thereof;
FIG. 7 is a top view thereof;
FIG. 8 is a bottom view thereof;
FIG. 9 is a cross-section view thereof with the internal parts omitted, taken along the line 9-9 of FIG. 3; and,
FIG. 10 is an enlarged front view thereof in a state of use. The broken lines shows portions of the degasser that form no part of the claimed design.

1 Claim, 7 Drawing Sheets



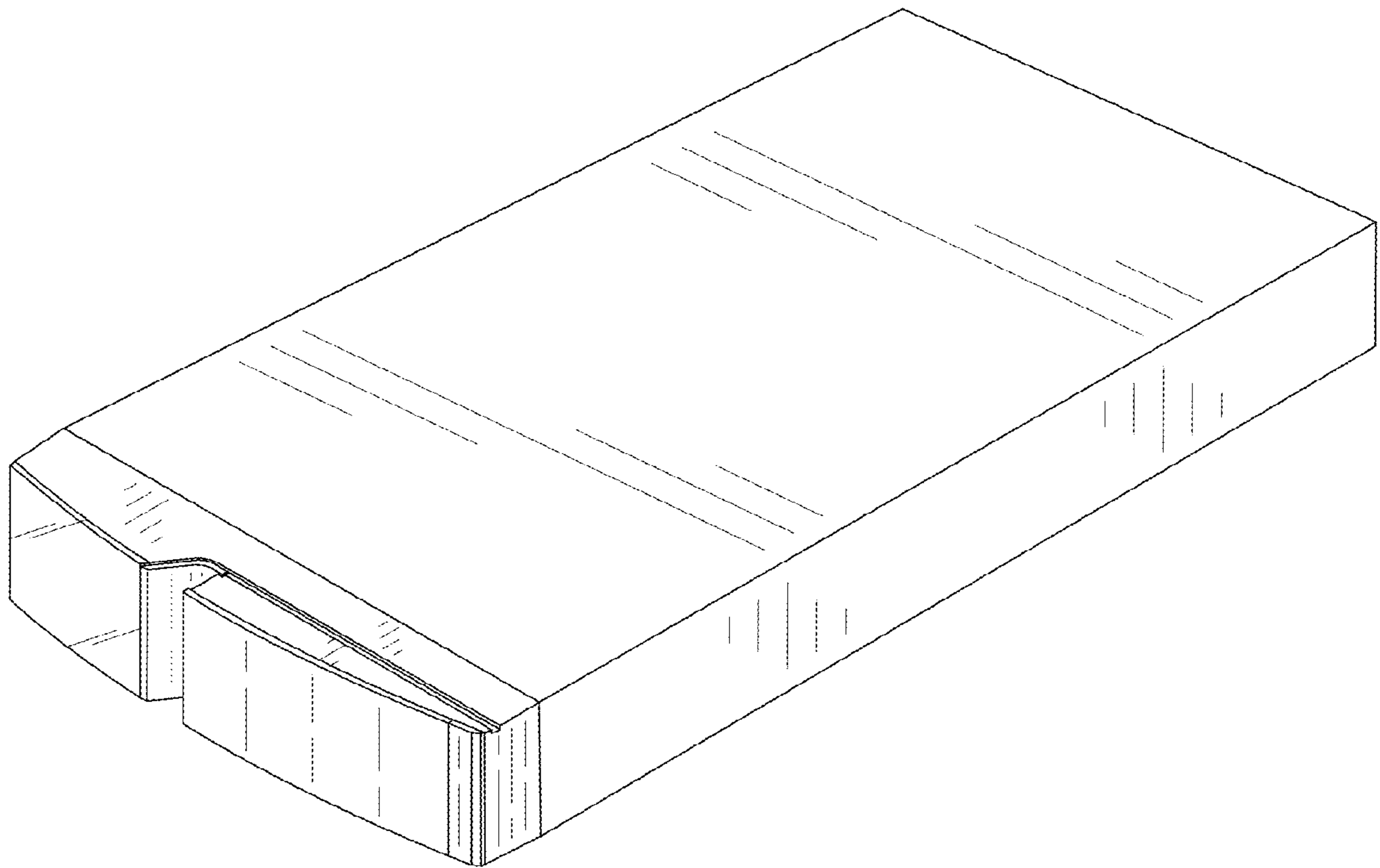


FIG. 1

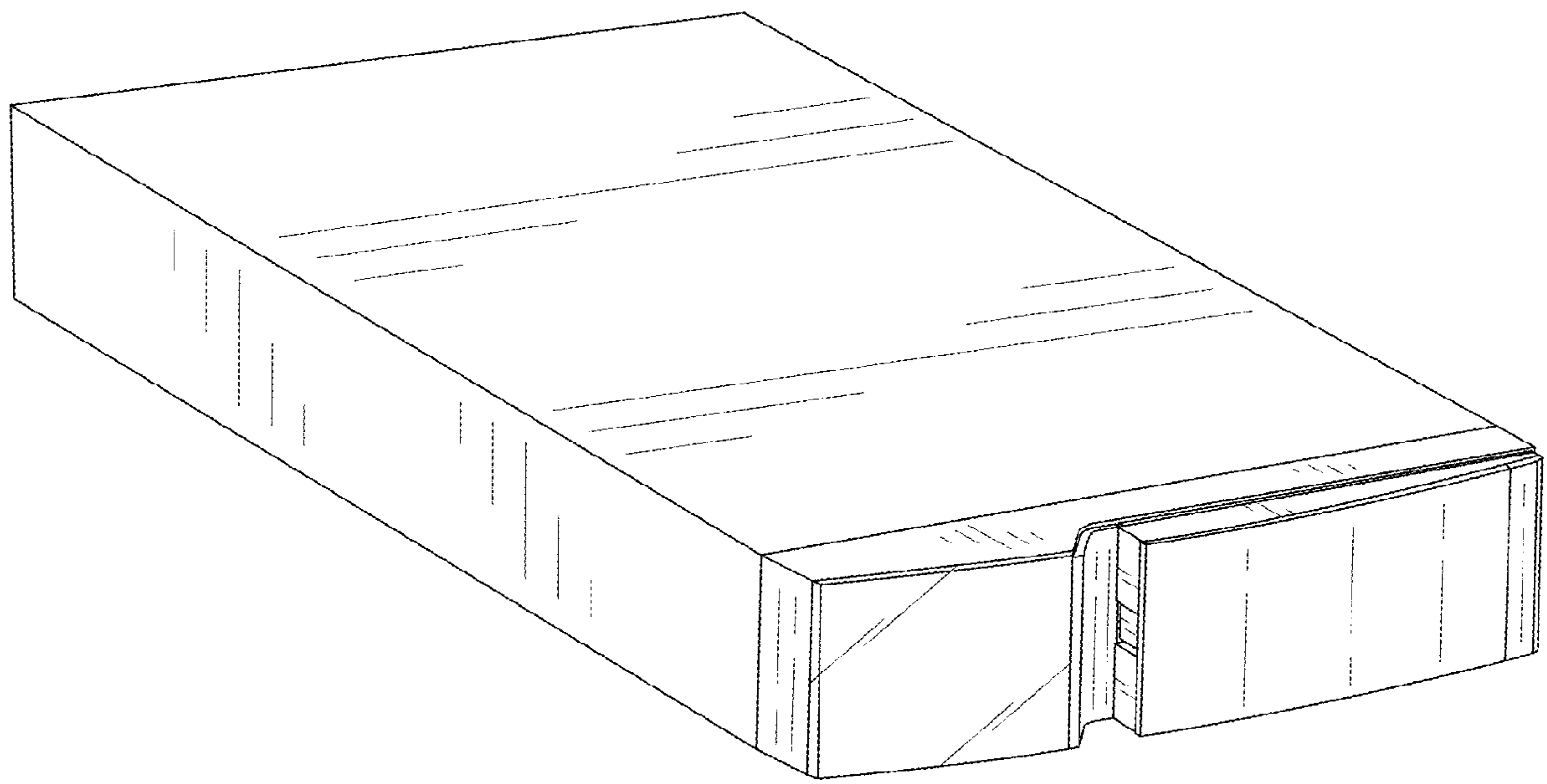


FIG. 2

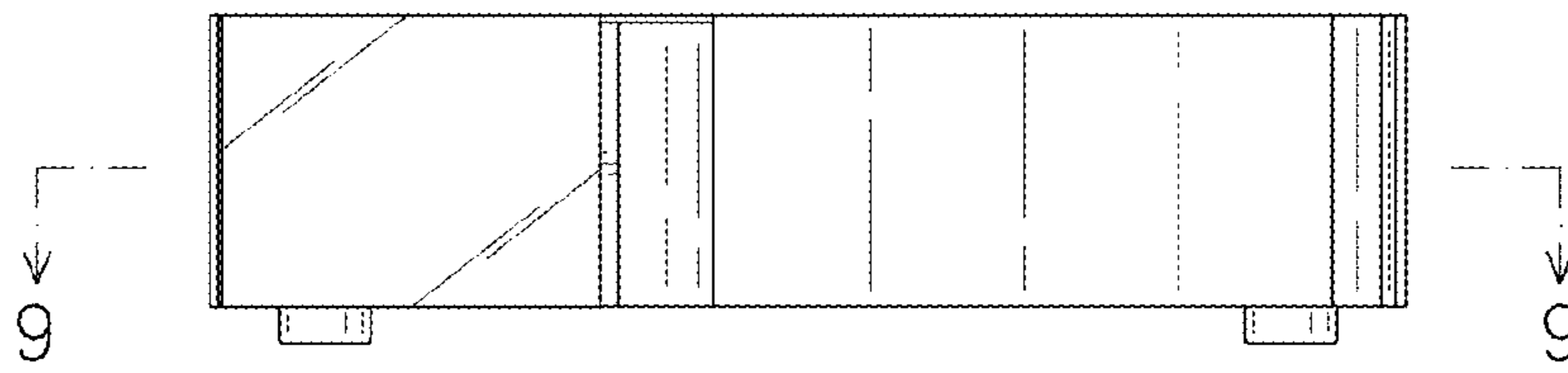


FIG. 3

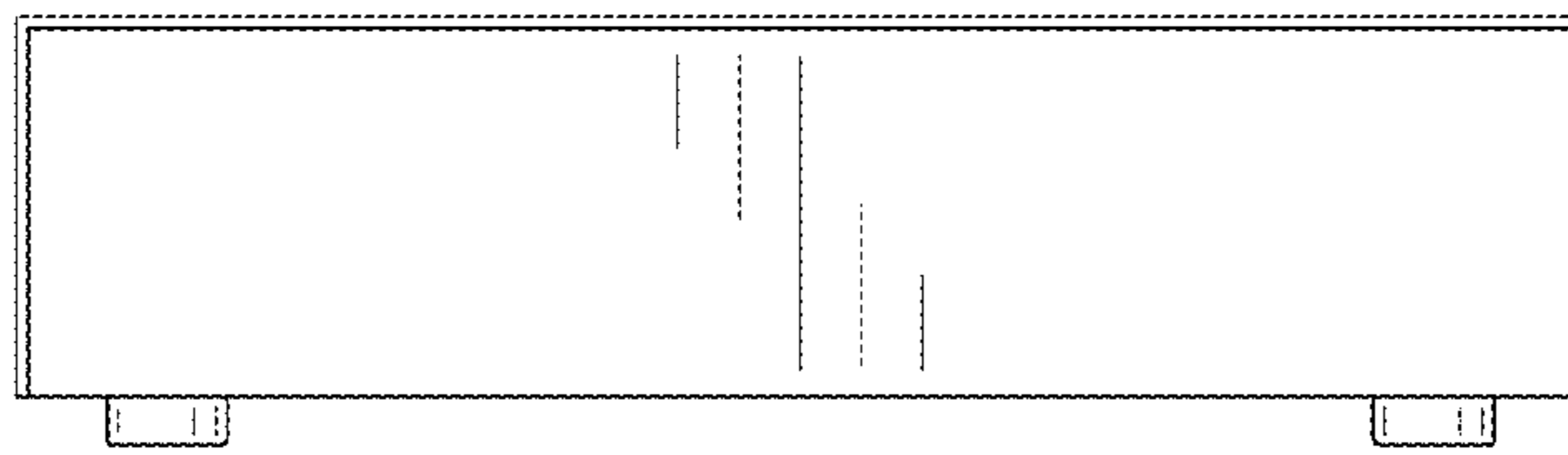


FIG. 4

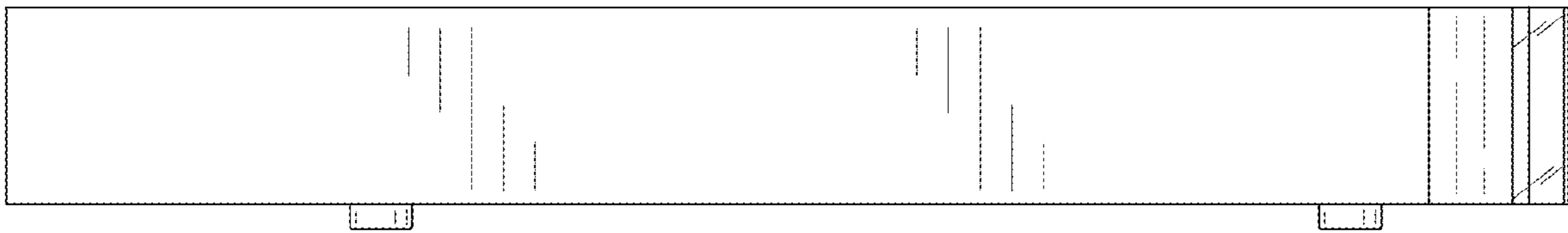


FIG. 5

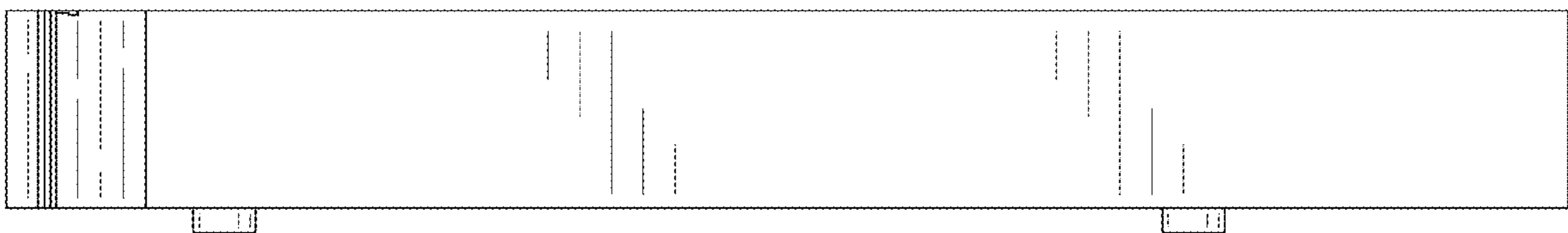


FIG. 6

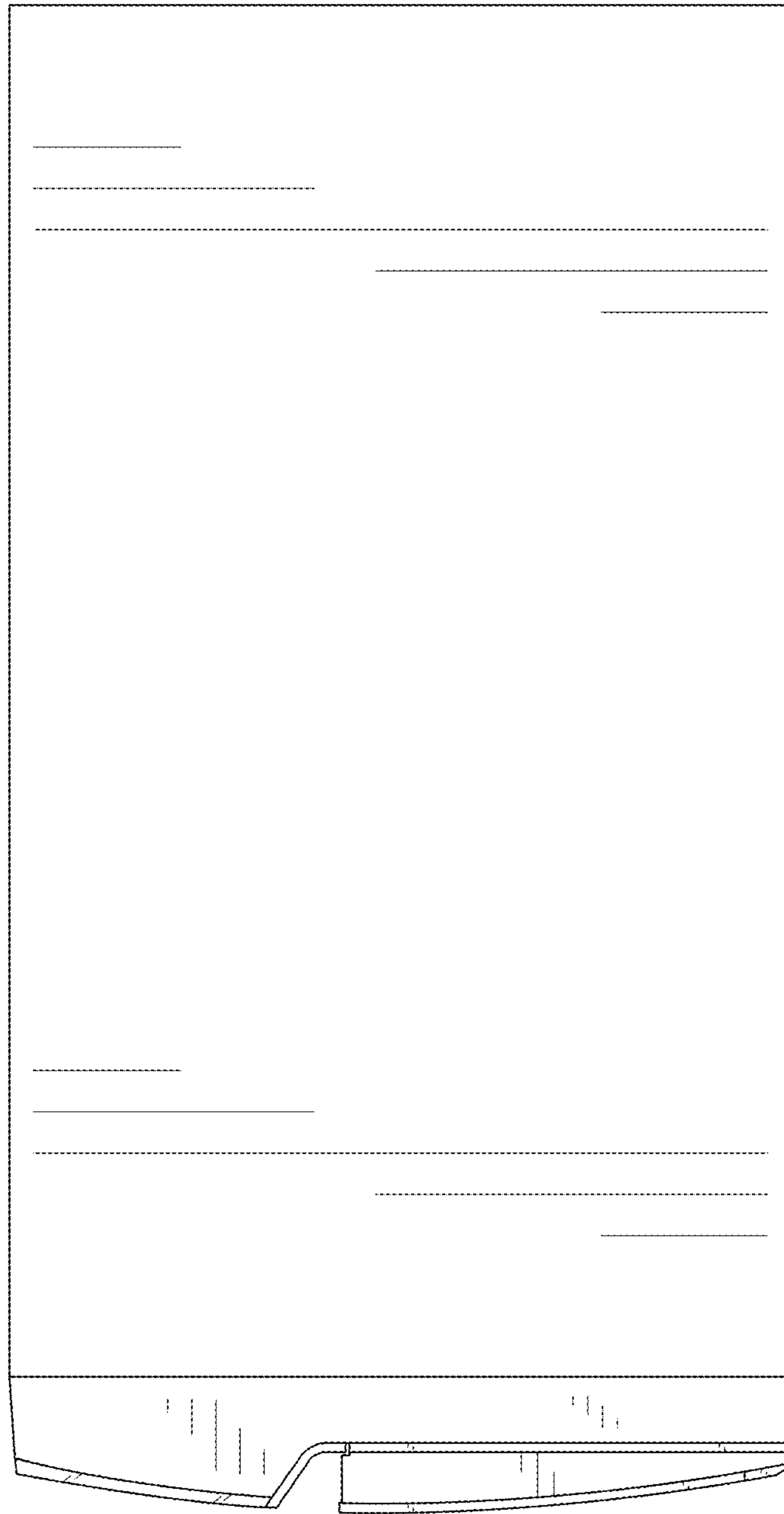


FIG. 7

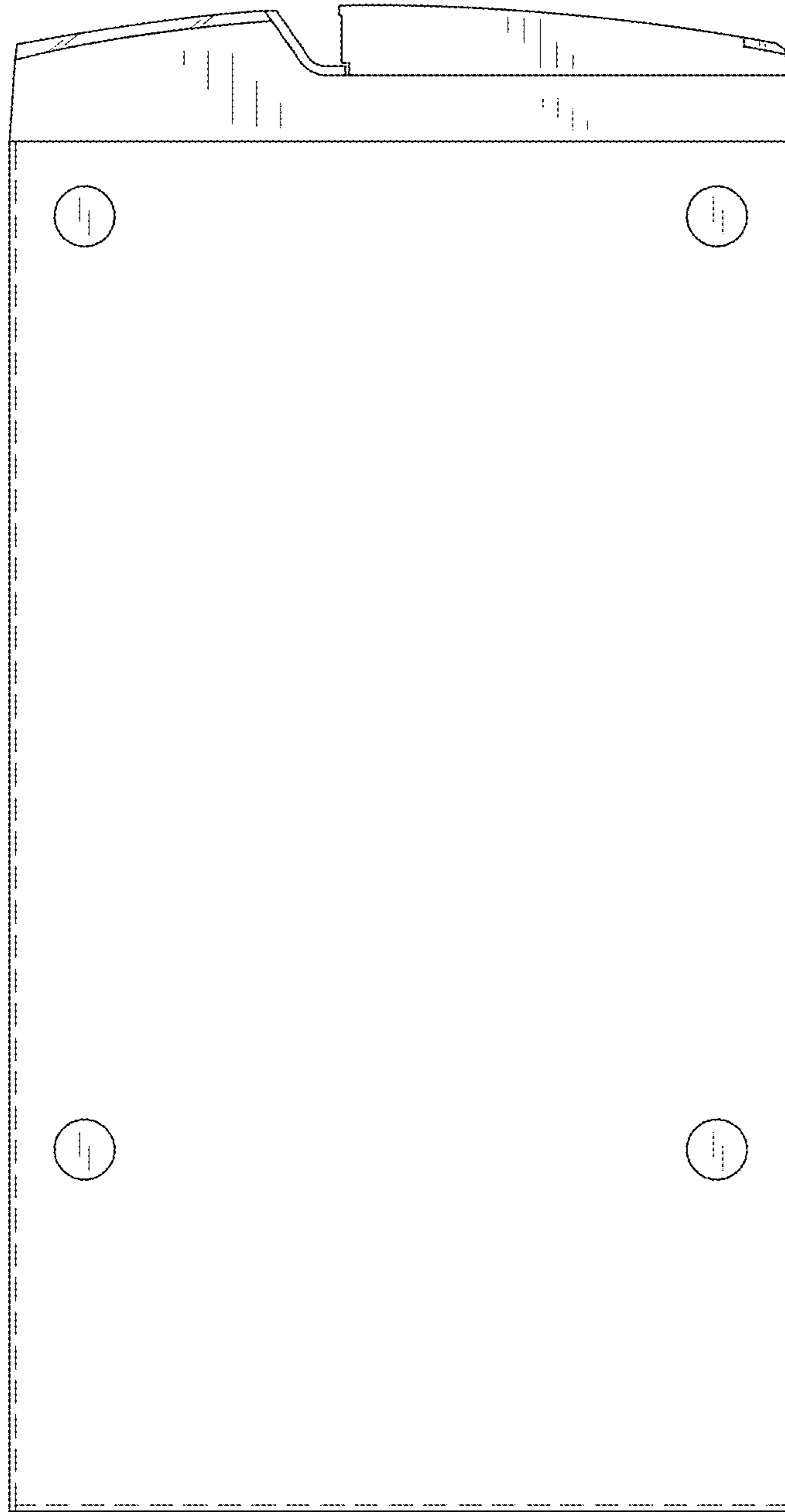


FIG. 8

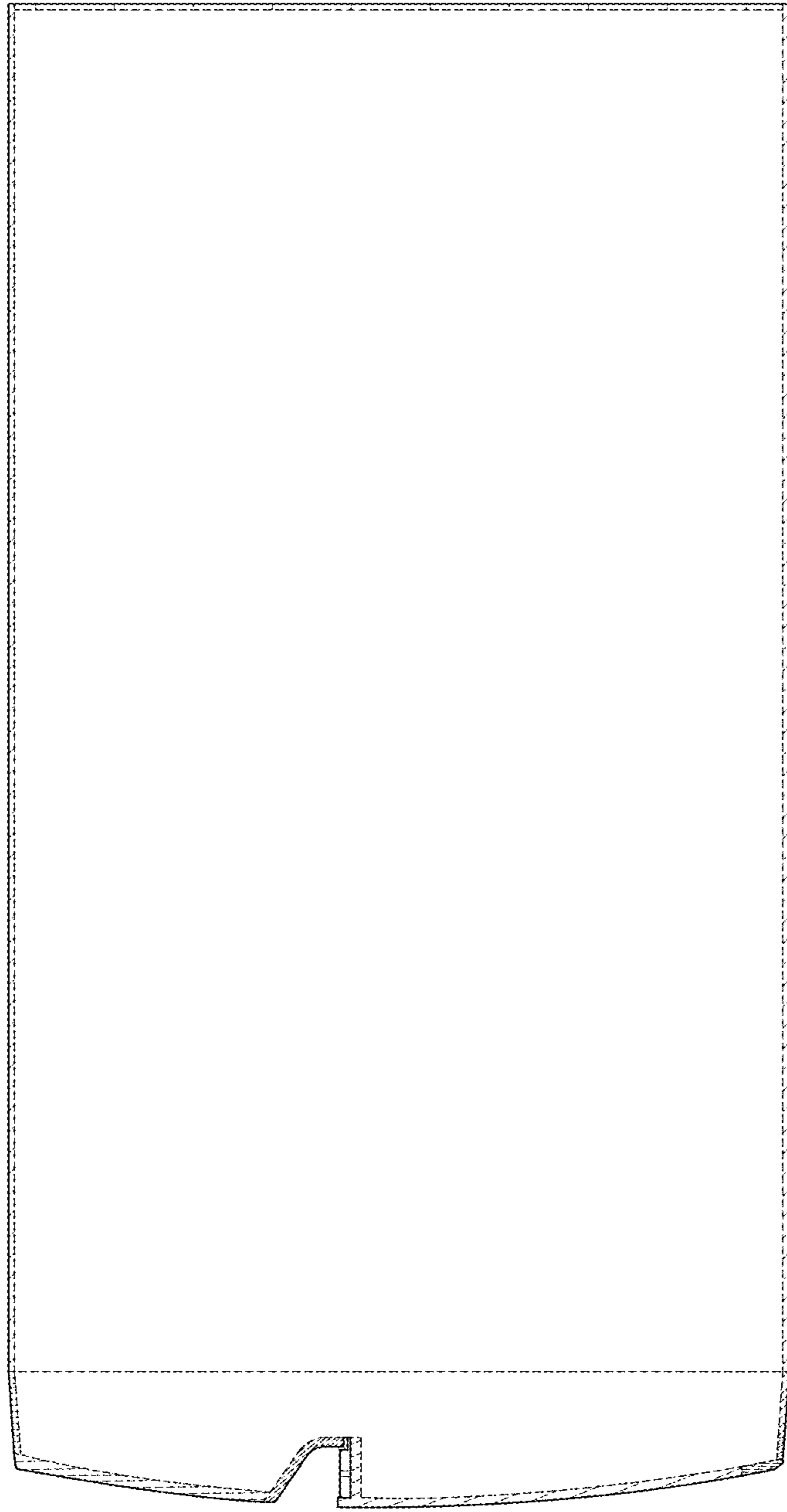


FIG. 9

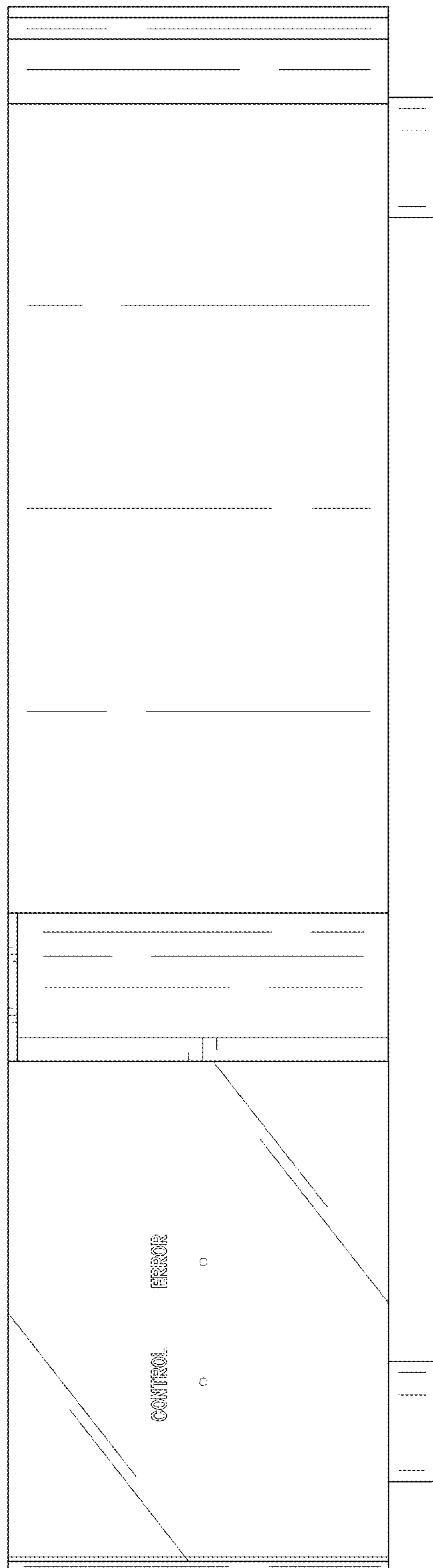


FIG. 10