



US00D870309S

(12) **United States Design Patent**  
**Malyarov**

(10) **Patent No.:** **US D870,309 S**

(45) **Date of Patent:** **\*\* Dec. 17, 2019**

(54) **TRACK FOR A DIAGNOSTIC SYSTEM**

(71) Applicant: **Siemens Healthcare Diagnostics Inc.**,  
Tarrytown, NY (US)

(72) Inventor: **Ilya Malyarov**, Livingston, NJ (US)

(73) Assignee: **Siemens Healthcare Diagnostics Inc.**,  
Tarrytown, NY (US)

(\*\*) Term: **15 Years**

(21) Appl. No.: **29/570,836**

(22) Filed: **Jul. 12, 2016**

(51) **LOC (12) Cl.** ..... **24-01**

(52) **U.S. Cl.**  
USPC ..... **D24/216**

(58) **Field of Classification Search**

USPC ..... D24/216, 219, 231-234, 107, 185, 186;  
D10/81; 422/65; 436/47

CPC ..... G01N 2035/00306; G01N 2035/00326;  
G01N 2035/00336; G01N 2030/027;  
G01N 21/76; G01N 2035/0484; G01N  
35/04; G01N 35/02

See application file for complete search history.

(56) **References Cited**

**U.S. PATENT DOCUMENTS**

D250,044 S *	10/1978	Mueller	.....	D24/216
5,351,801 A *	10/1994	Markin	.....	B65G 37/02 198/346.1
5,966,309 A *	10/1999	O'Bryan	.....	G01N 35/021 198/617
6,520,313 B1 *	2/2003	Kaarakainen	.....	B65G 35/06 198/358
8,222,048 B2 *	7/2012	Fritchie	.....	B01L 3/5085 210/695
D676,568 S *	2/2013	Liu	.....	D24/216
D681,226 S *	4/2013	Oonuma	.....	D24/216
D719,669 S *	12/2014	Gutmann	.....	D24/216
9,316,659 B2 *	4/2016	Dumitrescu	.....	G01N 35/04

9,387,989 B2 *	7/2016	Pedrazzini	.....	B65G 15/62
2010/0034701 A1 *	2/2010	Pedrazzini	.....	G01N 35/04 422/65
2010/0300831 A1 *	12/2010	Pedrazzini	.....	G01N 35/00732 198/339.1
2014/0202829 A1 *	7/2014	Eberhardt	.....	G01N 35/04 198/341.01

(Continued)

*Primary Examiner* — Anhdao Doan

*Assistant Examiner* — Mary Shannon Malley

(57) **CLAIM**

The ornamental design for a track for a diagnostic system, as shown and described.

**DESCRIPTION**

FIG. 1 is a perspective view of a track for a diagnostic system in accordance with my new design; FIG. 2 is a front elevational view thereof; FIG. 3 is a cross-sectional view of the track taken along line 3-3 of FIG. 1.

FIG. 4 is a rear elevational view of the track for a diagnostic system of FIG. 1;

FIG. 5 is a left side elevational view thereof;

FIG. 6 is a right side elevational view thereof;

FIG. 7 is a top view thereof;

FIG. 8 is a bottom view;

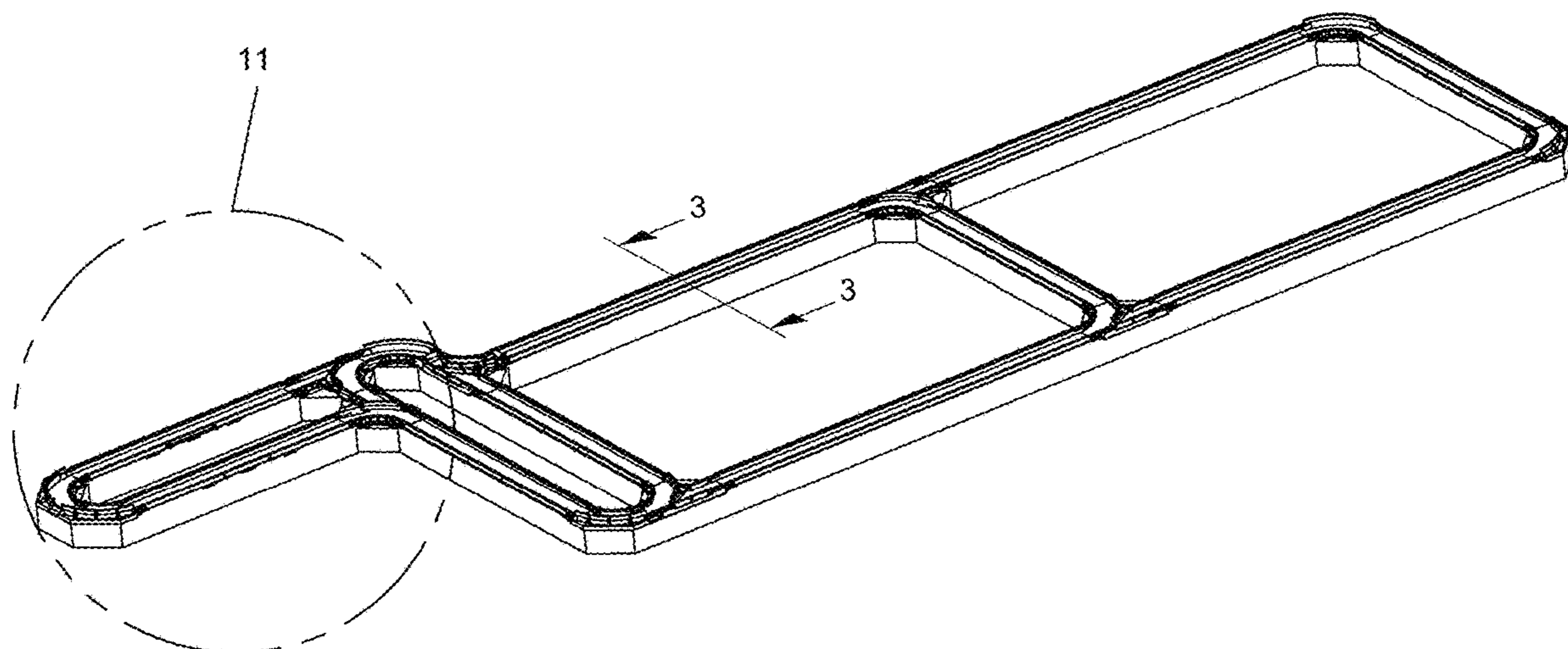
FIG. 9 is a perspective view thereof with the track for diagnostic system shown in an in vitro diagnostic system;

FIG. 10 is a top view thereof; and,

FIG. 11 is a close up view of the circle section of FIG. 1, which shows details which are exemplary of similar details throughout the various views.

The broken lines showing an in vitro diagnostic system represent environmental subject matter that forms no part of the claimed design. All other broken lines show portions of the track for a diagnostic system that form no part of the claimed design.

**1 Claim, 10 Drawing Sheets**



(56)

**References Cited**

U.S. PATENT DOCUMENTS

2014/0370608 A1\* 12/2014 Gelbman ..... B01L 3/545  
436/47  
2015/0192599 A1\* 7/2015 Pedrazzini ..... G01N 35/04  
198/347.1

\* cited by examiner

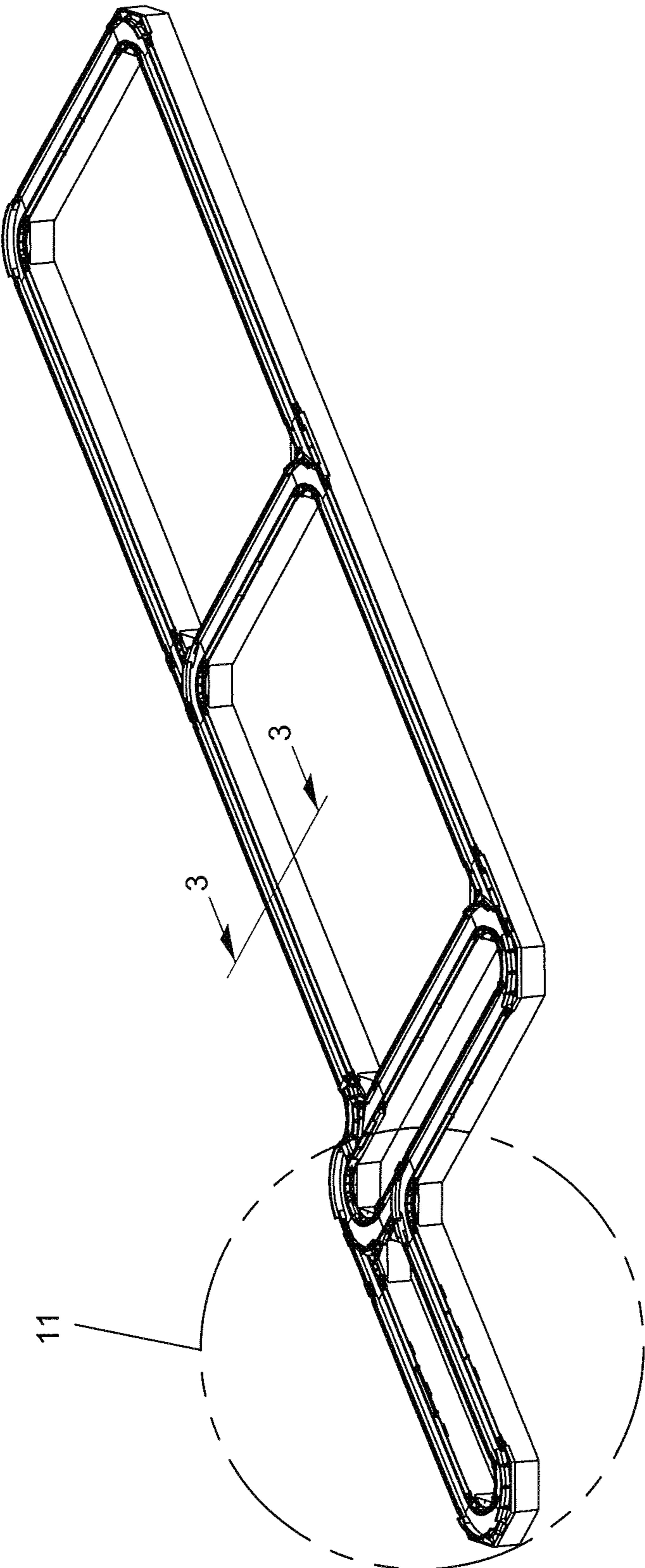


FIG. 1



FIG. 2

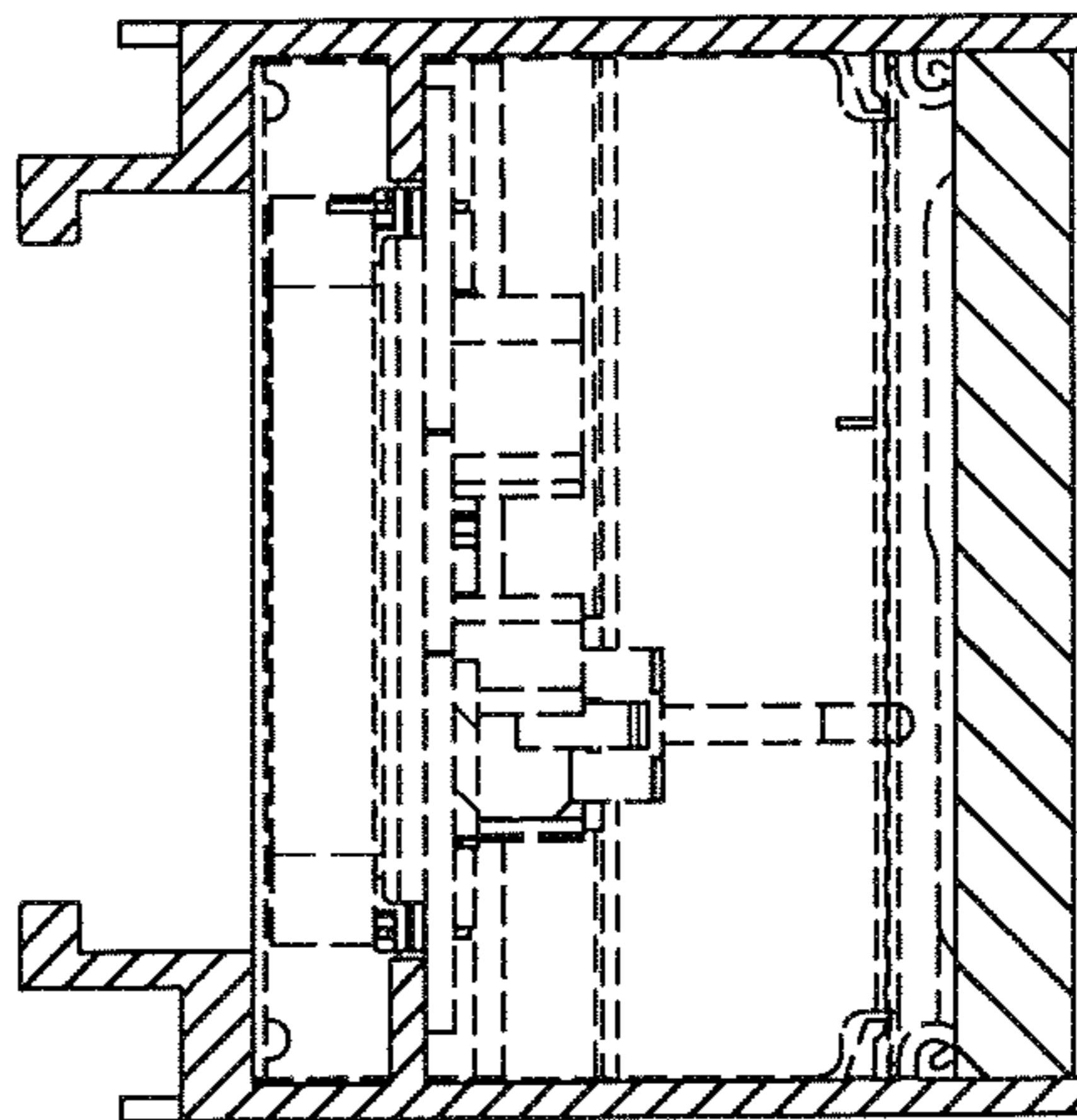


FIG. 3



FIG. 4



FIG. 5

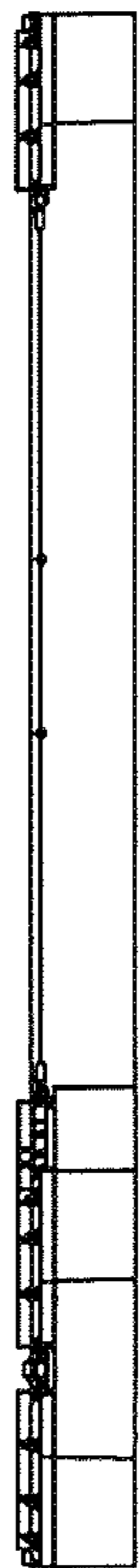


FIG. 6

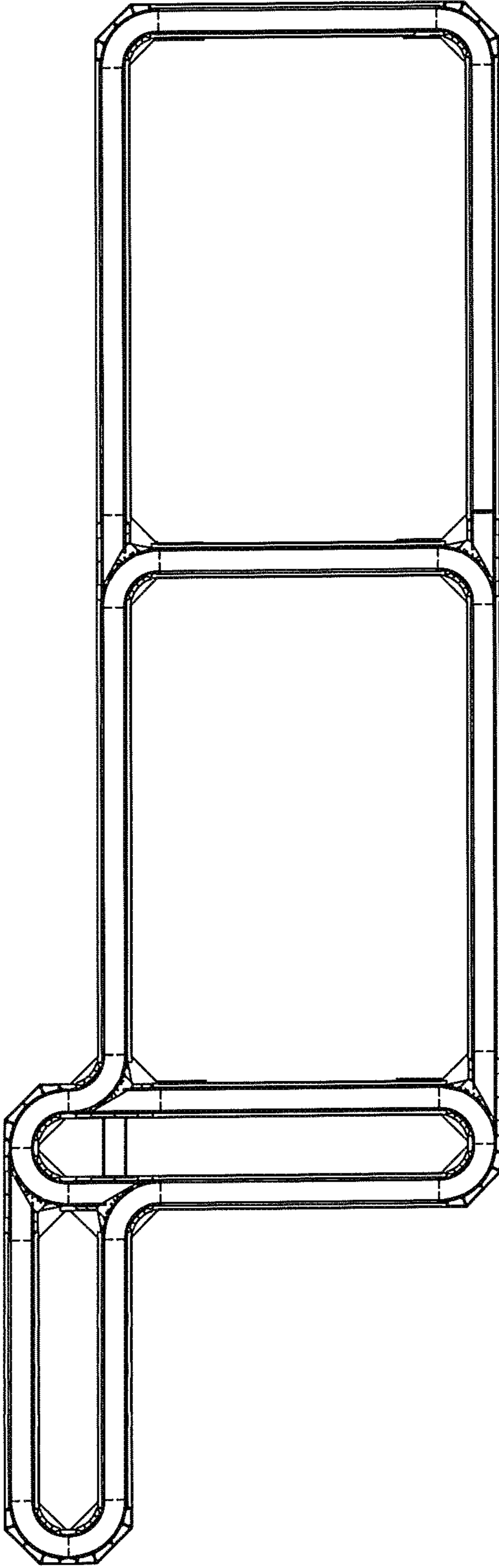


FIG. 7



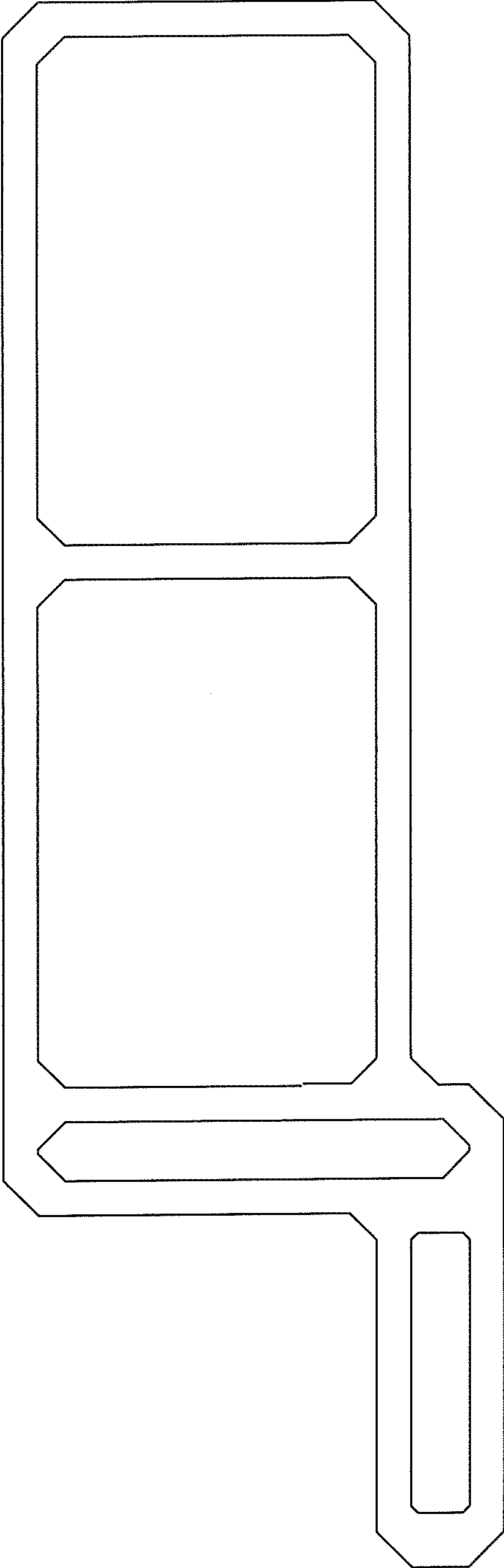


FIG. 8

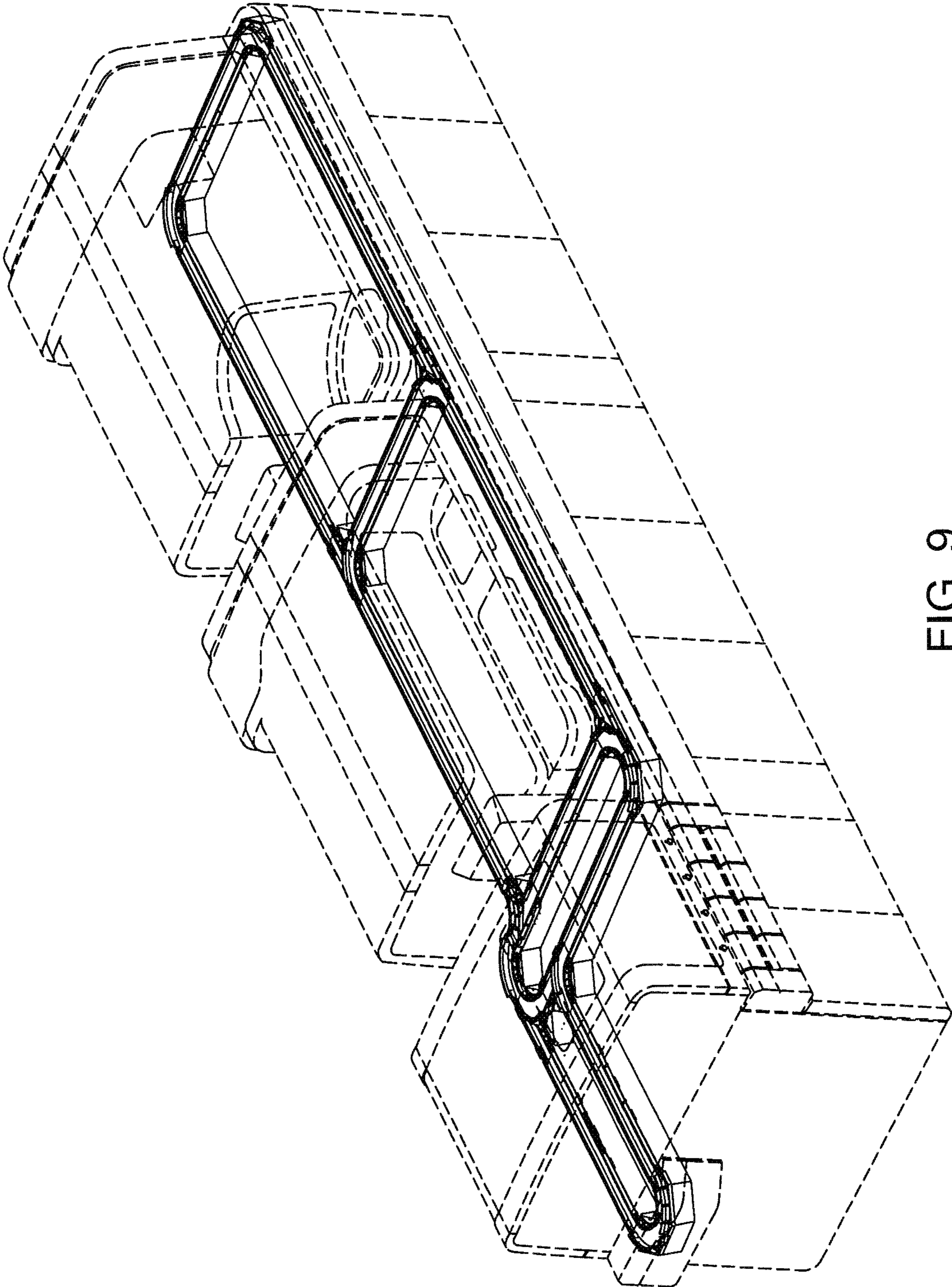


FIG. 9

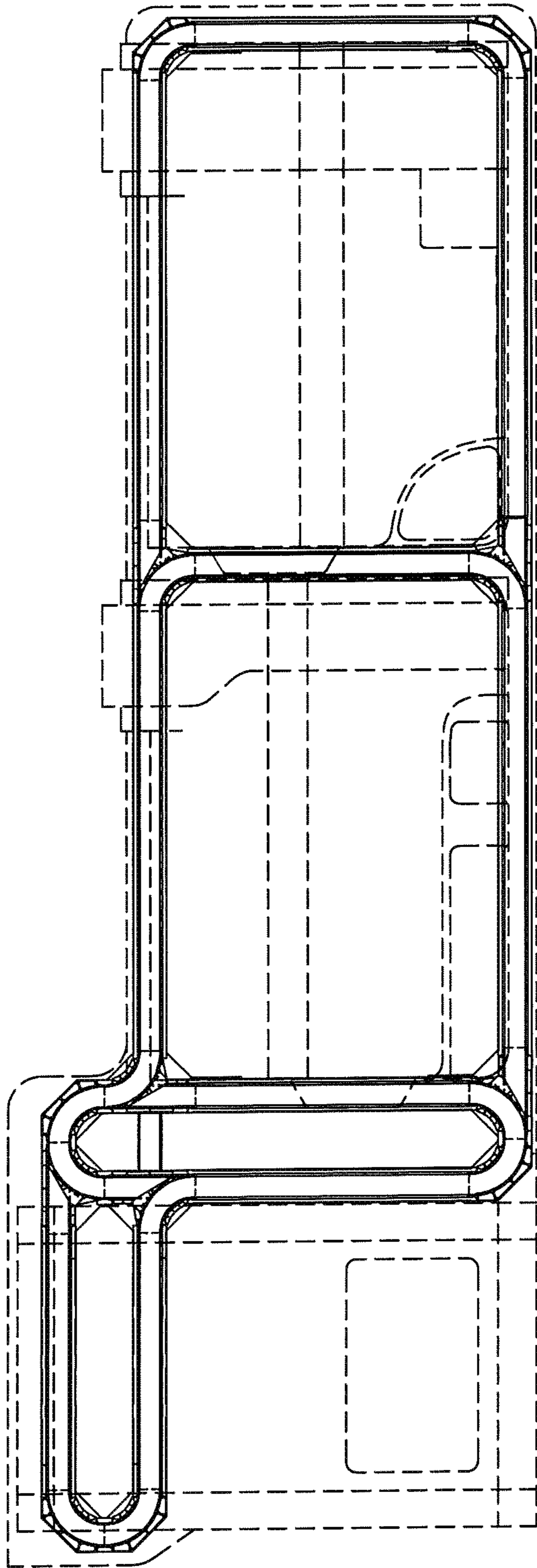


FIG. 10

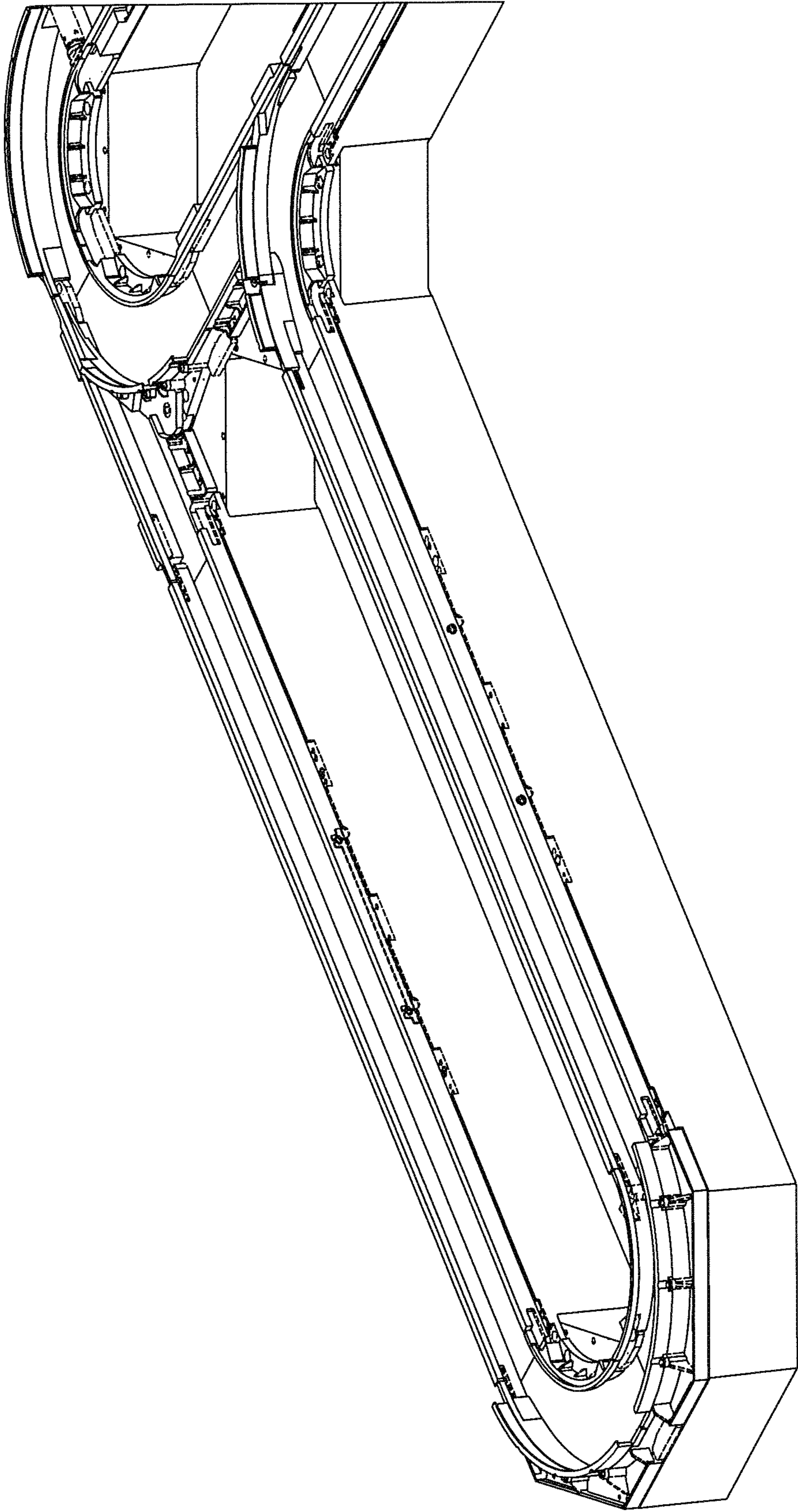


FIG. 11