



US00D870308S

(12) **United States Design Patent**
Samarasinha

(10) **Patent No.:** **US D870,308 S**

(45) **Date of Patent:** **** Dec. 17, 2019**

(54) **ELASTIC SEXUAL AID**

(71) Applicant: **Linton Samarasinha**, Portage, MI (US)

(72) Inventor: **Linton Samarasinha**, Portage, MI (US)

(**) Term: **15 Years**

(21) Appl. No.: **29/641,817**

(22) Filed: **Mar. 26, 2018**

(51) **LOC (12) Cl.** **28-03**

(52) **U.S. Cl.**
USPC **D24/215**

(58) **Field of Classification Search**
USPC 601/15, 18, 19, 27, 28, 29, 30, 31, 32,
601/46, 47, 48, 52, 72, 99, 112, 113, 118,
601/135, 137, DIG. 12, DIG. 14, DIG. 15,
601/DIG. 16, DIG. 17; D24/200, 211,
D24/212, 213, 214, 215; D30/160;
600/38, 39, 40, 41

CPC A61H 2015/0014; A61H 2015/0042; A61H
23/00

See application file for complete search history.

(56) **References Cited**

U.S. PATENT DOCUMENTS

- 3,401,687 A * 9/1968 Hood A61F 5/41
600/39
- 3,888,241 A * 6/1975 Fischer A61H 15/02
601/19
- 9,132,055 B1 * 9/2015 Wallace A61H 23/0263
- D758,603 S * 6/2016 Phillips D24/215
- 9,968,513 B1 * 5/2018 Marton A61H 15/00

- 10,123,933 B2 * 11/2018 Shao A61H 19/32
- 2009/0176635 A1 * 7/2009 Brinson A61H 7/001
482/141
- 2012/0172771 A1 * 7/2012 Jian A61H 15/0092
601/46
- 2012/0310125 A1 * 12/2012 Hall A61H 15/0085
601/120
- 2013/0281892 A1 * 10/2013 Godfrey A61H 15/0078
601/15

* cited by examiner

Primary Examiner — Cynthia Ramirez

Assistant Examiner — Michael A Maharajh

(74) *Attorney, Agent, or Firm* — William Lovin & Assoc.,
LLC; William R. Lovin

(57) **CLAIM**

The ornamental design for an elastic sexual aid, as shown
and described.

DESCRIPTION

FIG. 1 is a perspective view of the front, top of the elastic
sexual aid, showing my new design;

FIG. 2 is a perspective view of the front, right, bottom,
thereof;

FIG. 3 is a perspective view of the front, left, bottom,
thereof;

FIG. 4 is a plan view of the top, thereof;

FIG. 5 is a plan view of the bottom, thereof;

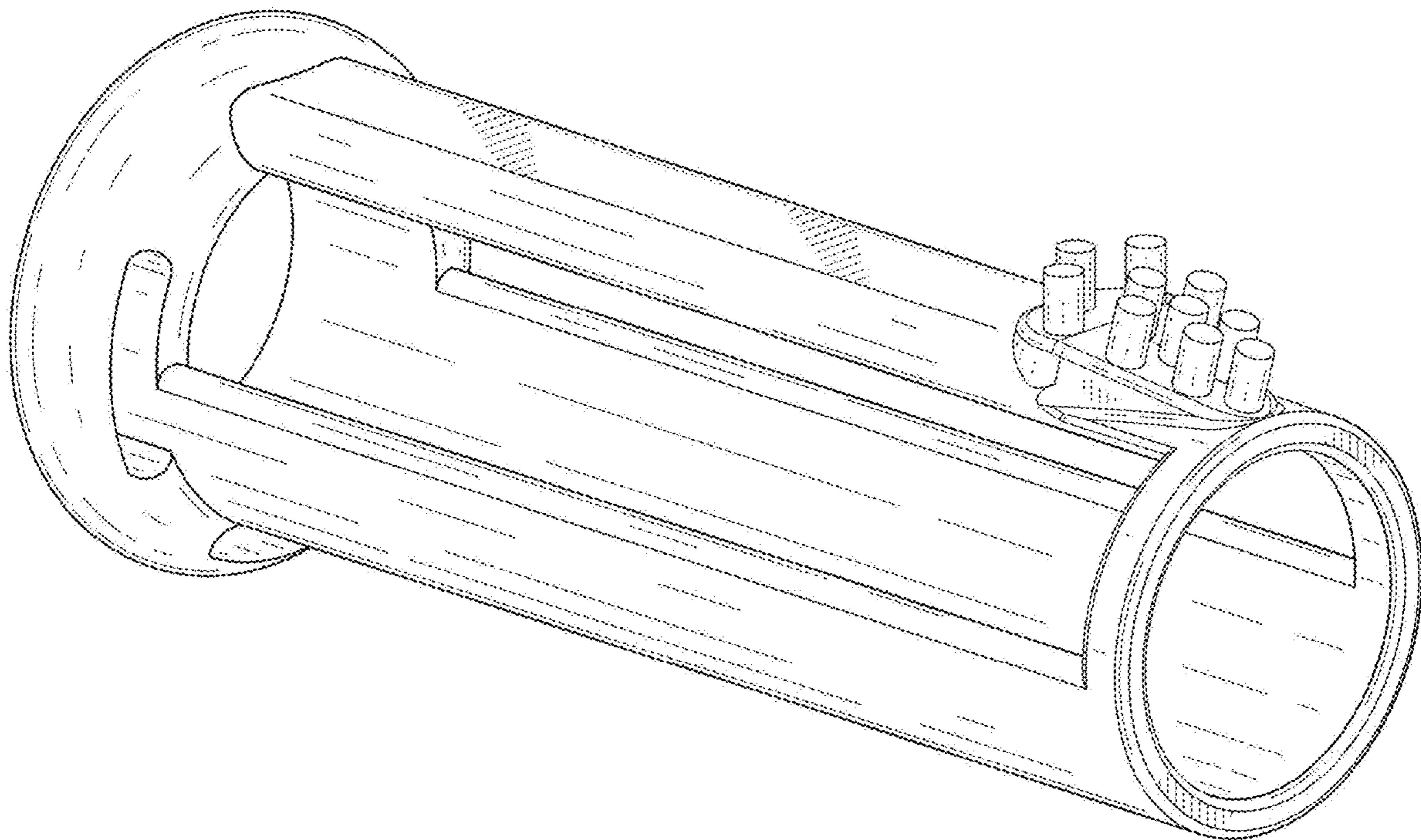
FIG. 6 is an elevation view of the left side, thereof;

FIG. 7 is an elevation view of the right side, thereof;

FIG. 8 is view of the front thereof; and,

FIG. 9 is view of the rear thereof.

1 Claim, 5 Drawing Sheets



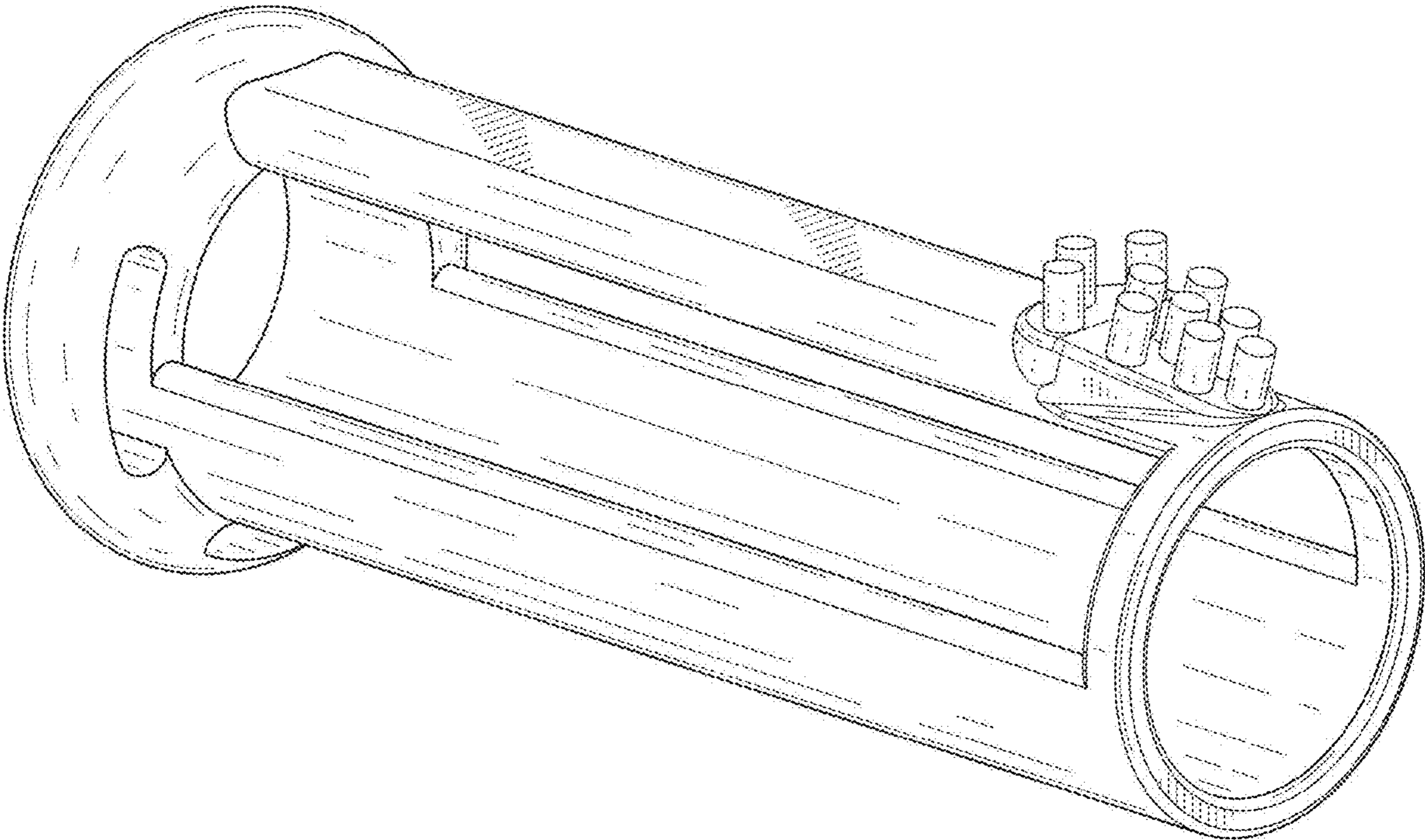


Fig. 1

Fig. 2

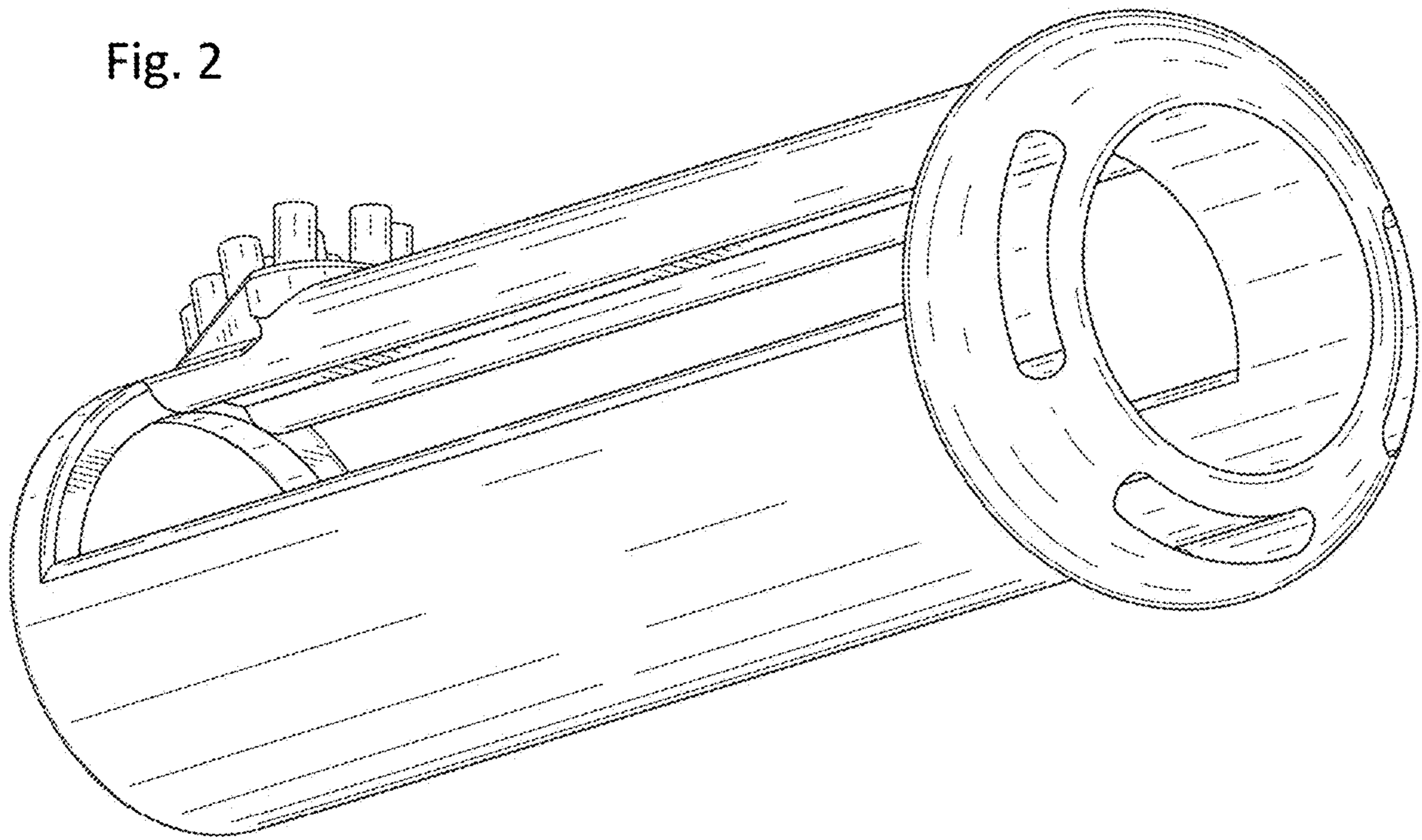
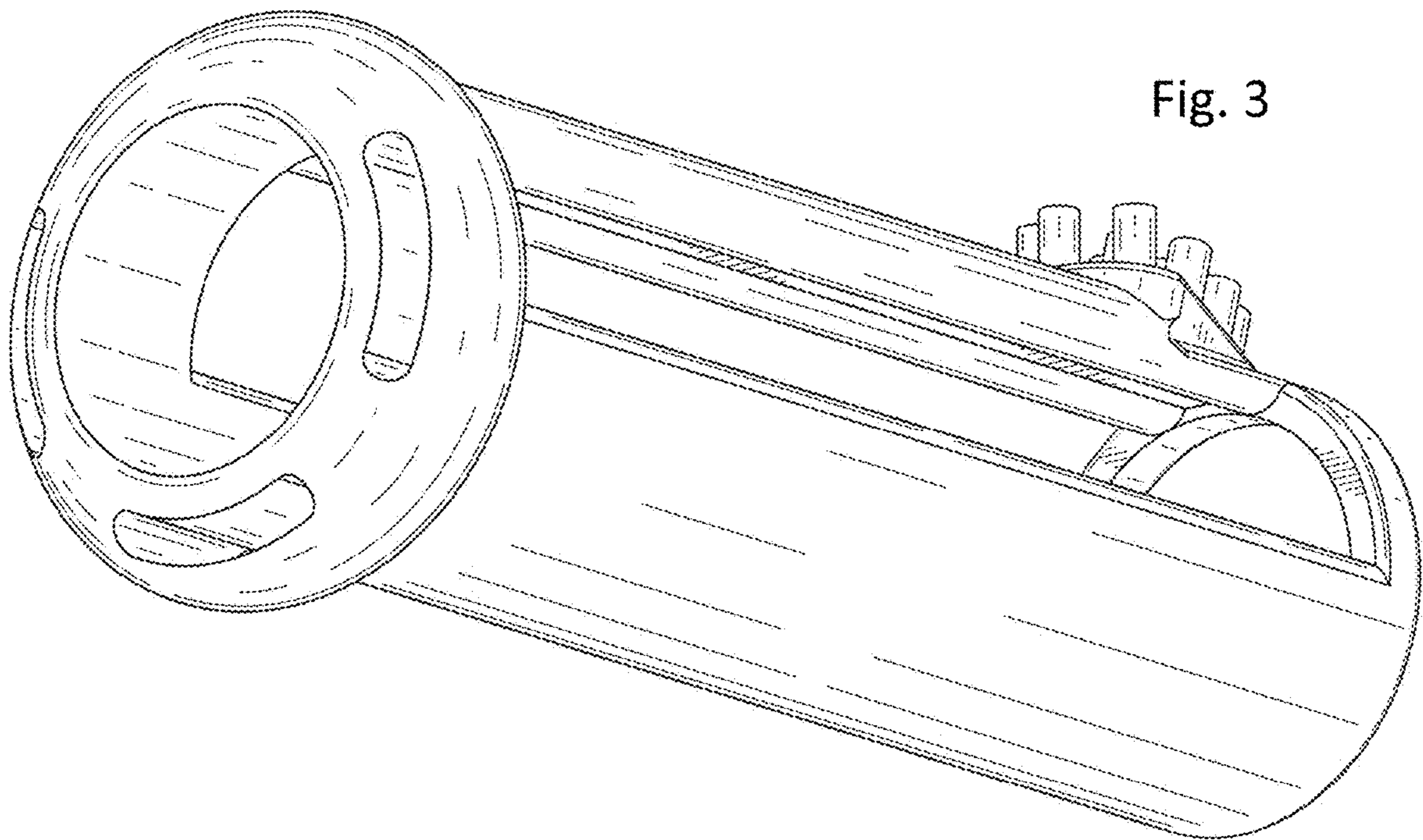


Fig. 3



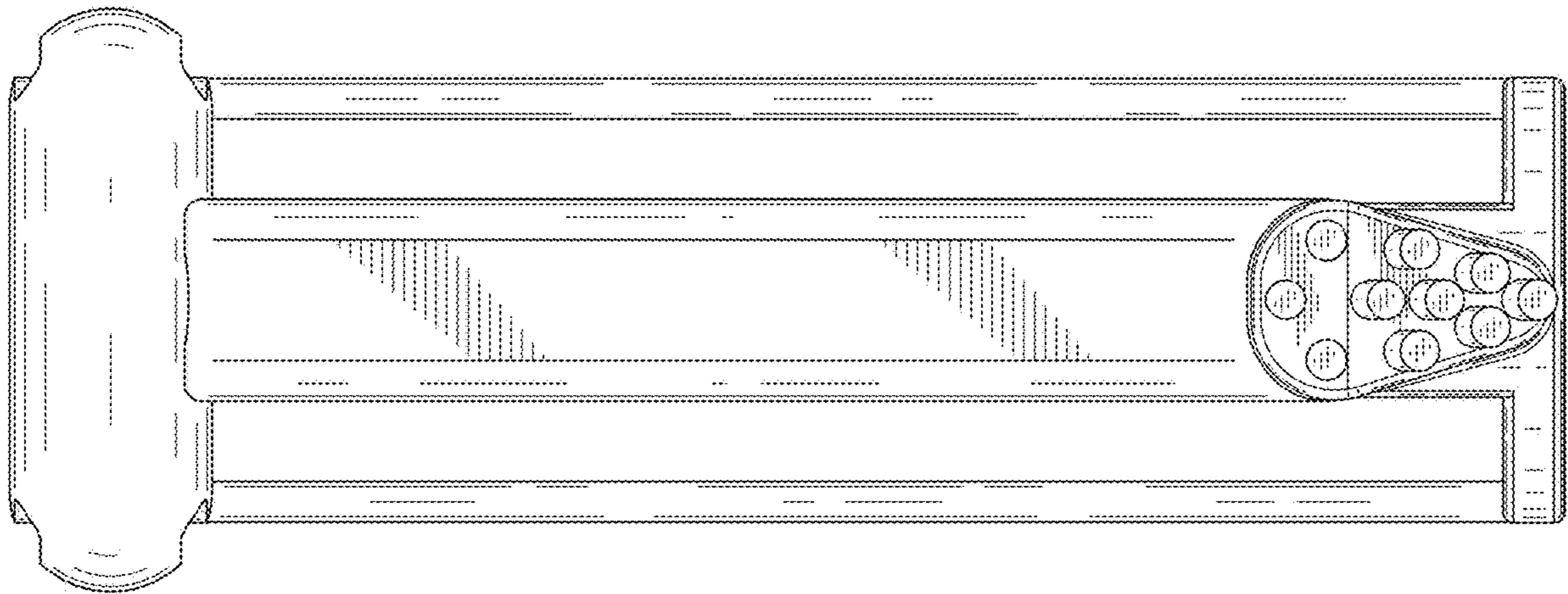


Fig. 4

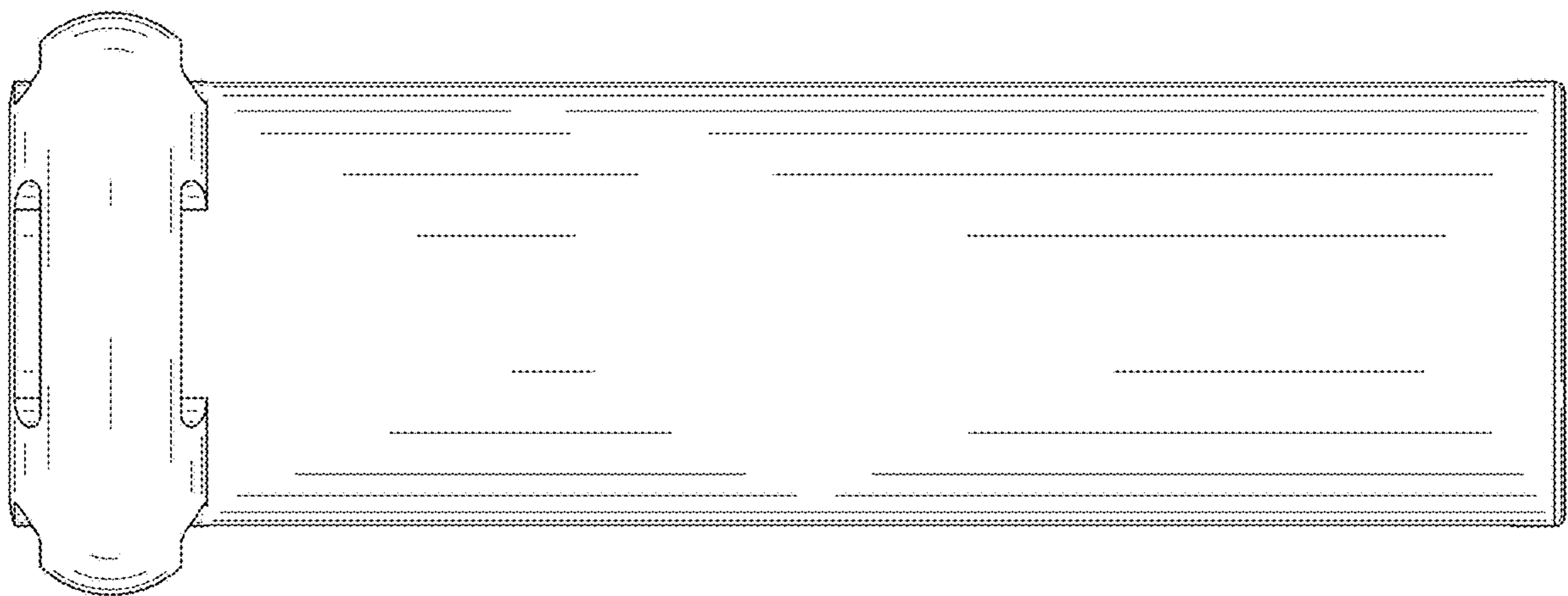


Fig. 5

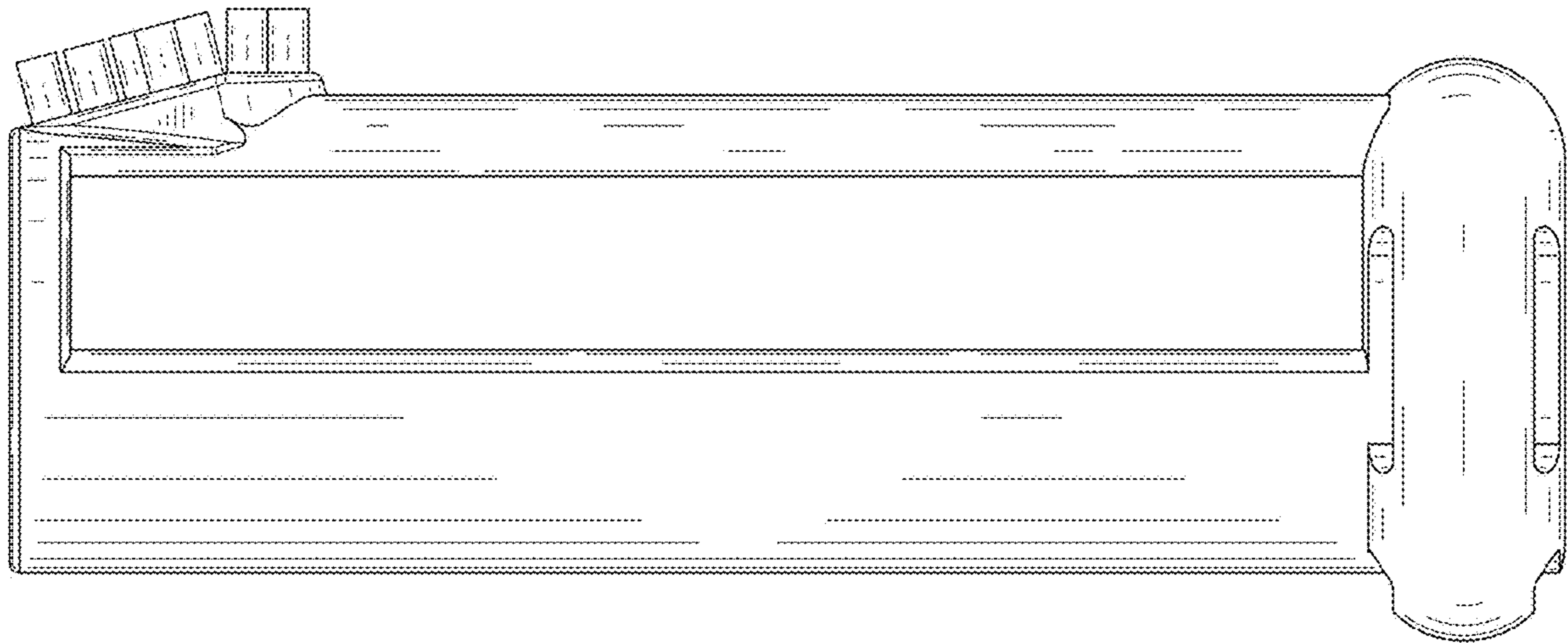


Fig. 6

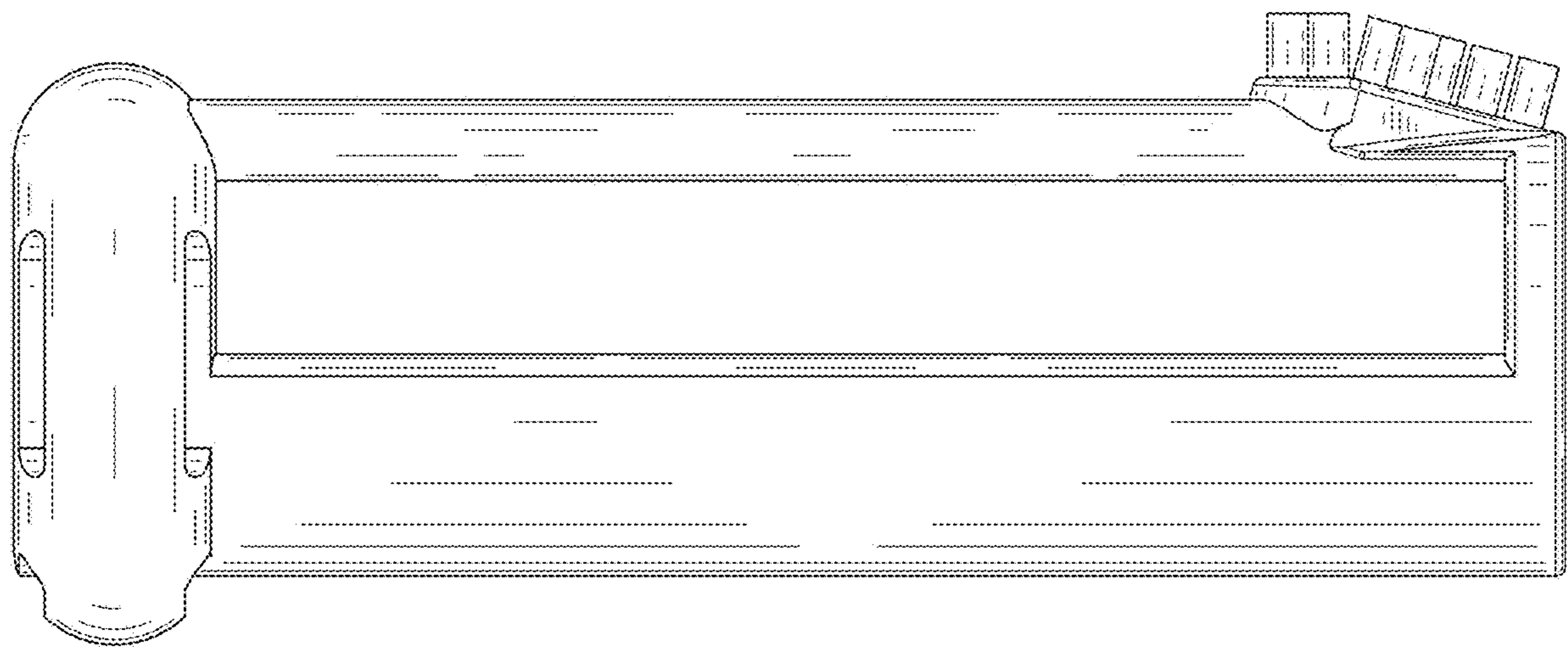


Fig. 7

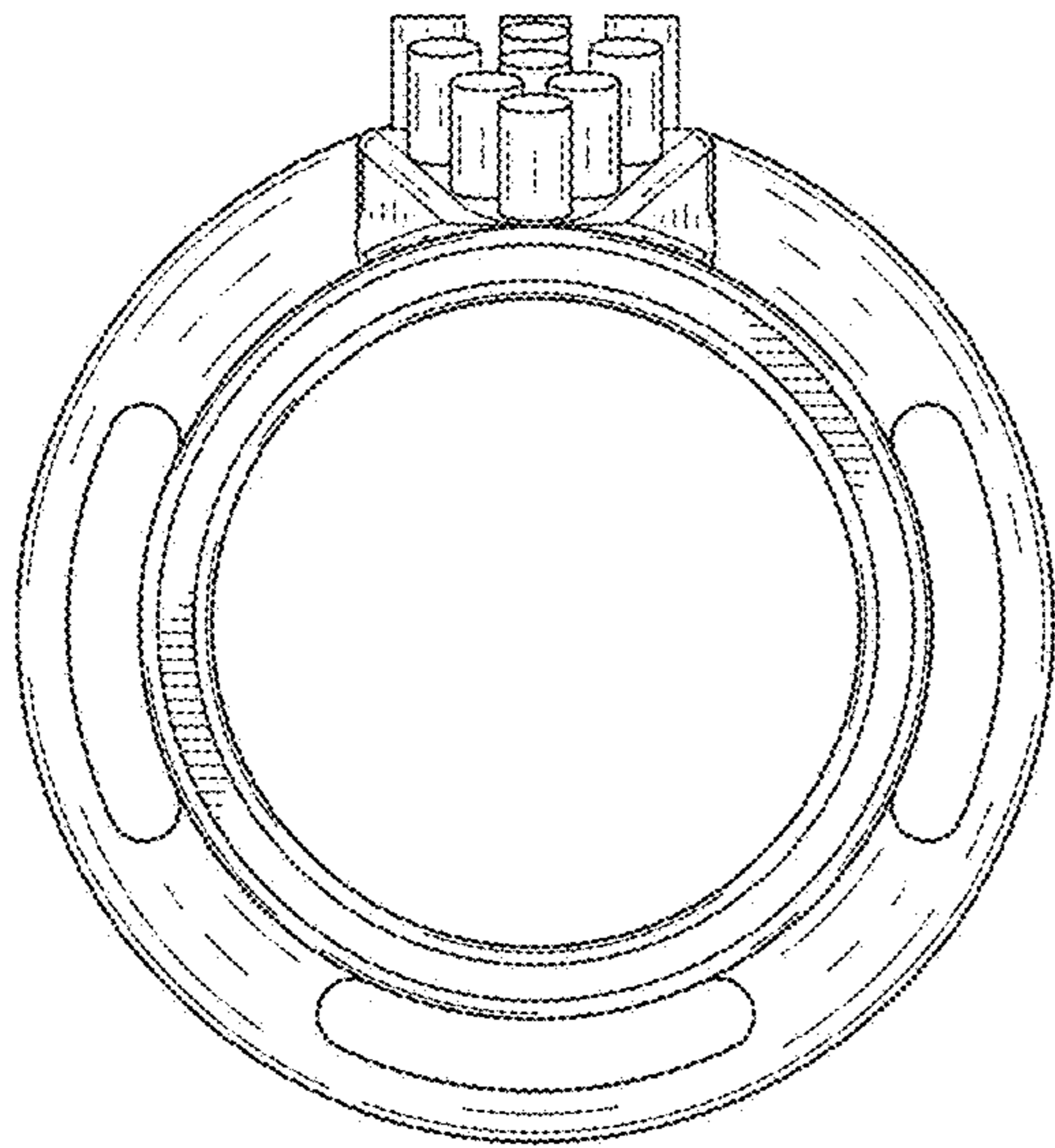


Fig. 8

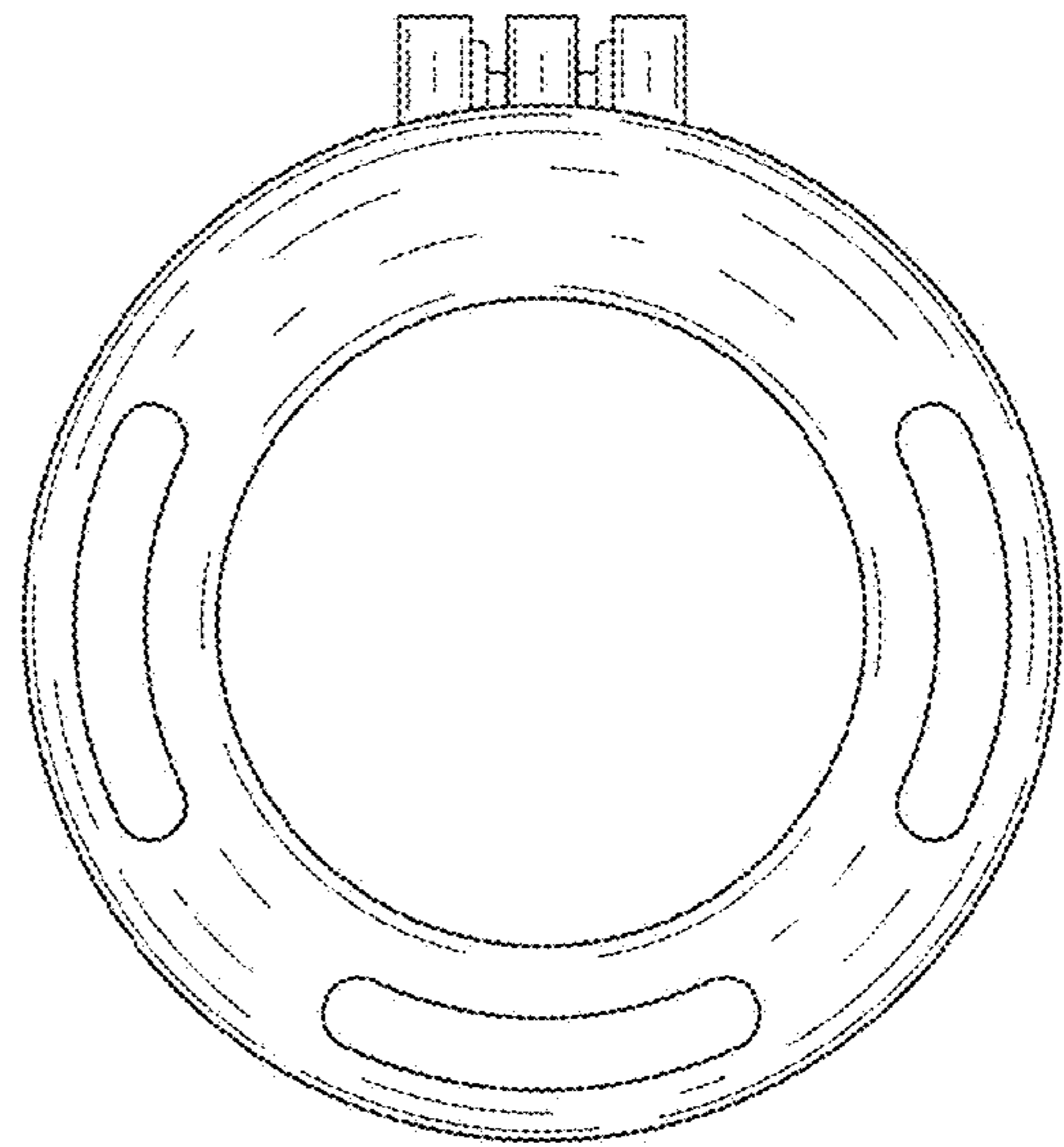


Fig. 9