



US00D870305S

(12) **United States Design Patent**  
**Yamazaki**

(10) **Patent No.:** **US D870,305 S**

(45) **Date of Patent:** **\*\* Dec. 17, 2019**

(54) **SKIN CARE DEVICE**

(71) Applicant: **YA-MAN LTD.**, Tokyo (JP)

(72) Inventor: **Iwao Yamazaki**, Tokyo (JP)

(73) Assignee: **YA-MAN LTD.**, Tokyo (JP)

(\*\*) Term: **15 Years**

(21) Appl. No.: **35/506,071**

(22) Filed: **May 22, 2018**

(80) **Hague Agreement Data**

Int. Filing Date: **May 22, 2018**

Int. Reg. No.: **DM/102981**

Int. Reg. Date: **May 22, 2018**

Int. Reg. Pub. Date: **Nov. 23, 2018**

(30) **Foreign Application Priority Data**

Nov. 29, 2017 (JP) ..... 2017-026612

(51) **LOC (12) Cl.** ..... **28-03**

(52) **U.S. Cl.**  
USPC ..... **D24/214**

(58) **Field of Classification Search**  
USPC ..... D24/133, 200, 209, 112, 113, 137, 214,  
D24/215, 187; D16/316  
CPC ..... A61N 2005/0659  
See application file for complete search history.

(56) **References Cited**

**U.S. PATENT DOCUMENTS**

D323,034 S \* 1/1992 Reinstein ..... D24/200  
D538,430 S \* 3/2007 Ohta ..... D24/146

D568,473 S *	5/2008	Ashiwa .....	D24/133
D609,361 S *	2/2010	McGarry .....	D24/133
D623,294 S *	9/2010	Rhoades .....	D24/133
D623,295 S *	9/2010	Rhoades .....	D24/133
D652,523 S *	1/2012	Bradley .....	D24/209
D656,620 S *	3/2012	Altshuler .....	D24/209
D659,845 S *	5/2012	Lytle .....	D24/209
D660,448 S *	5/2012	Lum .....	D24/209
D734,479 S *	7/2015	Youngquist .....	D24/158
D759,831 S *	6/2016	Levi .....	D24/200
D791,960 S *	7/2017	Guanying .....	D24/209
D794,854 S *	8/2017	Zepter .....	D24/200
D797,302 S *	9/2017	Vahlensieck .....	D24/209
D819,221 S *	5/2018	Lei .....	D24/200
D824,528 S *	7/2018	Yang .....	D24/209
D829,333 S *	9/2018	Shin .....	D24/209
D840,546 S *	2/2019	Xiangmei .....	D24/209
D850,638 S *	6/2019	Cha .....	D24/200
D853,572 S *	7/2019	Yi .....	D24/200
D855,818 S *	8/2019	Kymm .....	D24/209

\* cited by examiner

*Primary Examiner* — Holly E Thurman

(74) *Attorney, Agent, or Firm* — Sughrue Mion, PLLC

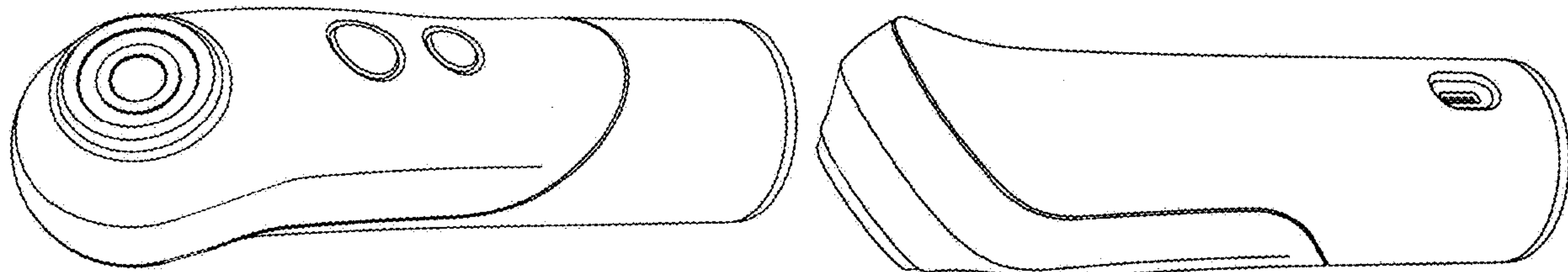
(57) **CLAIM**

The ornamental design for a skin care device, as shown and described.

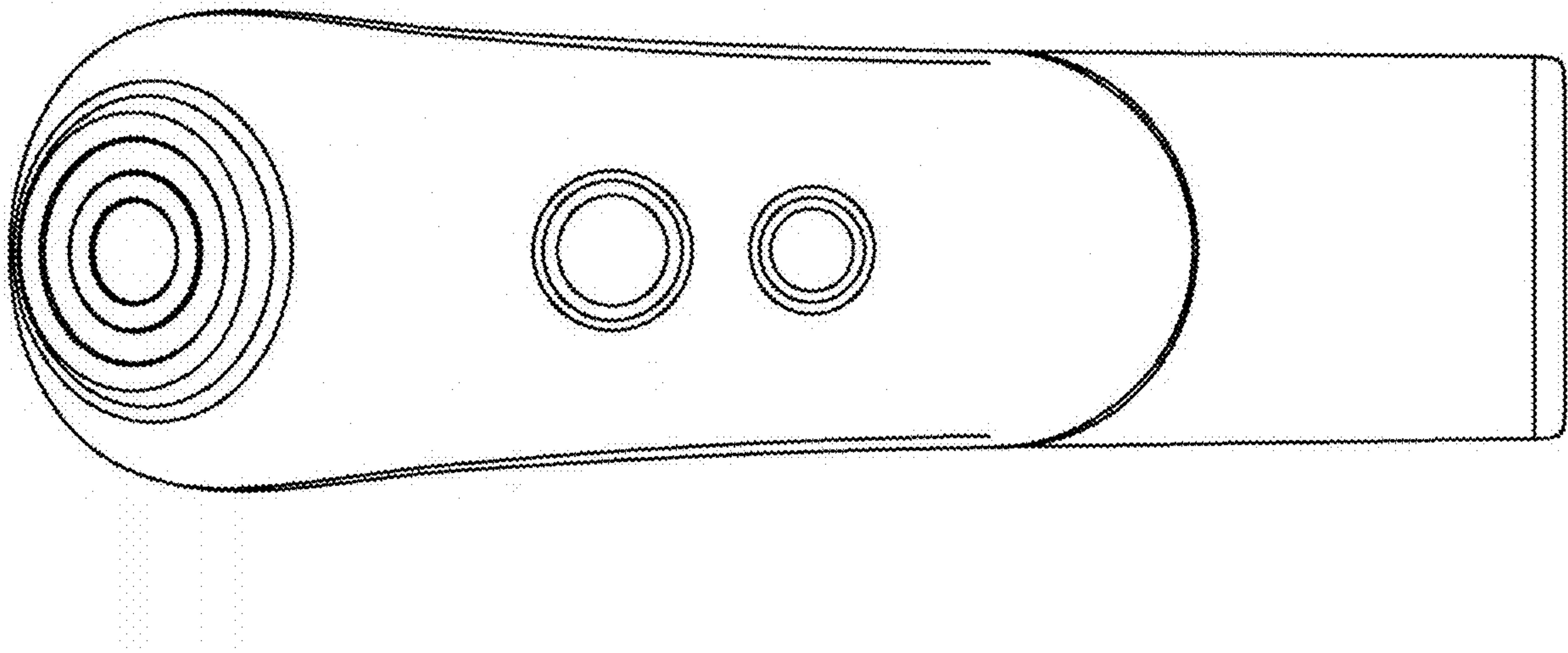
**DESCRIPTION**

- 1. Skin care device
- 1.1 : Front
- 1.2 : Top
- 1.3 : Back
- 1.4 : Right
- 1.5 : Left
- 1.6 : Front perspective view
- 1.7 : Back perspective view

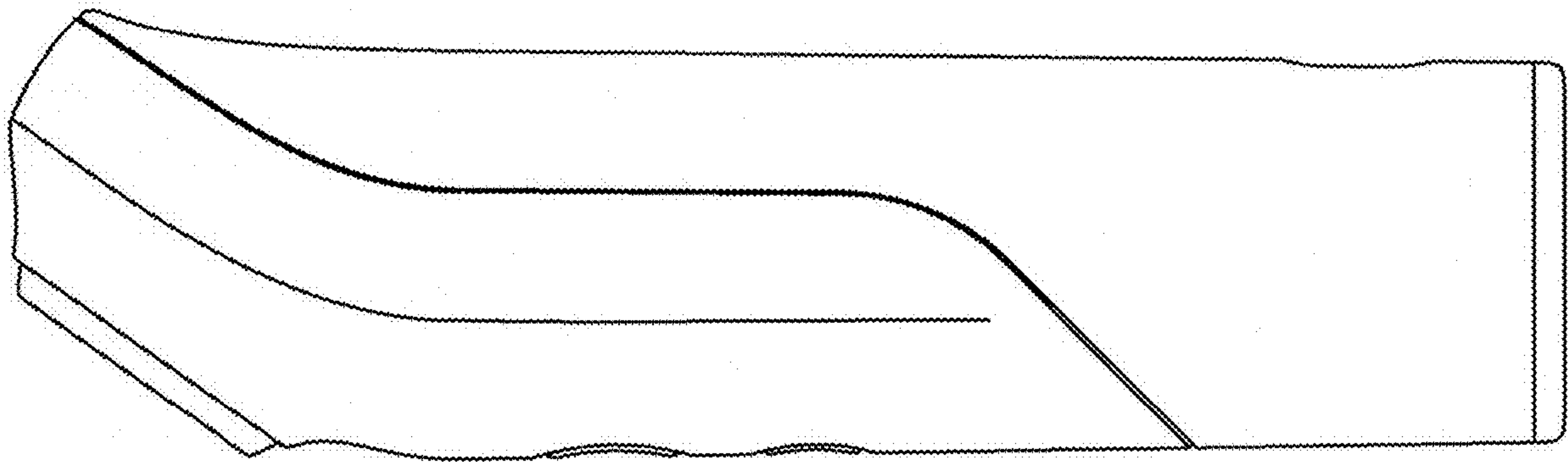
**1 Claim, 7 Drawing Sheets**



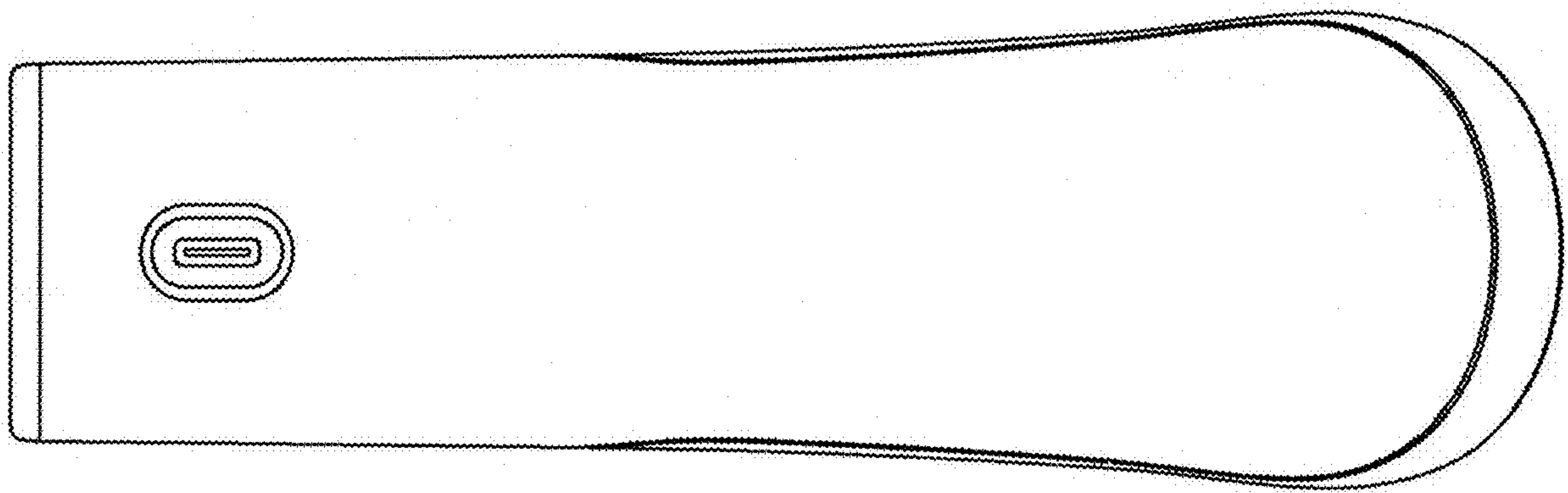
1.1



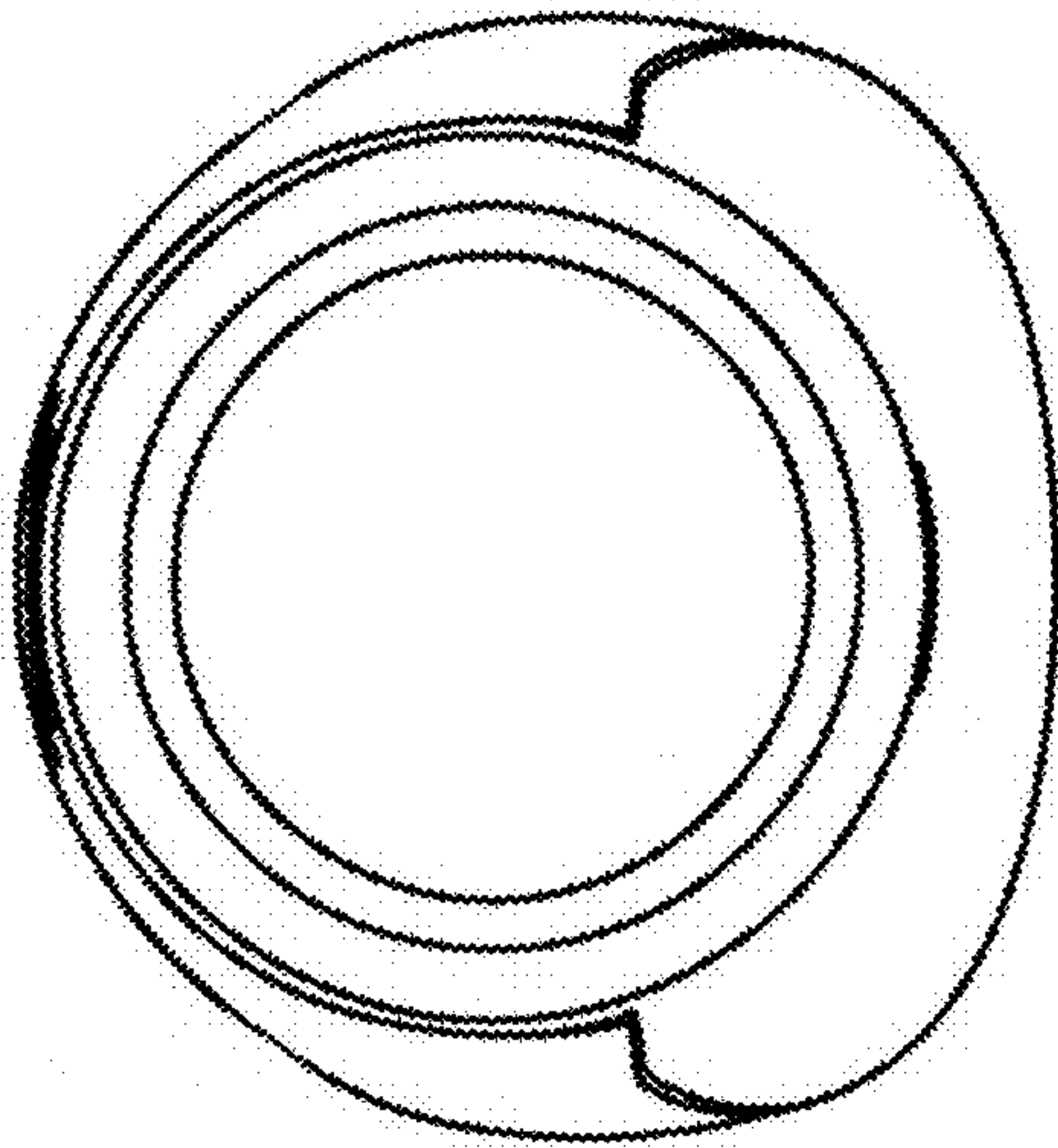
1.2



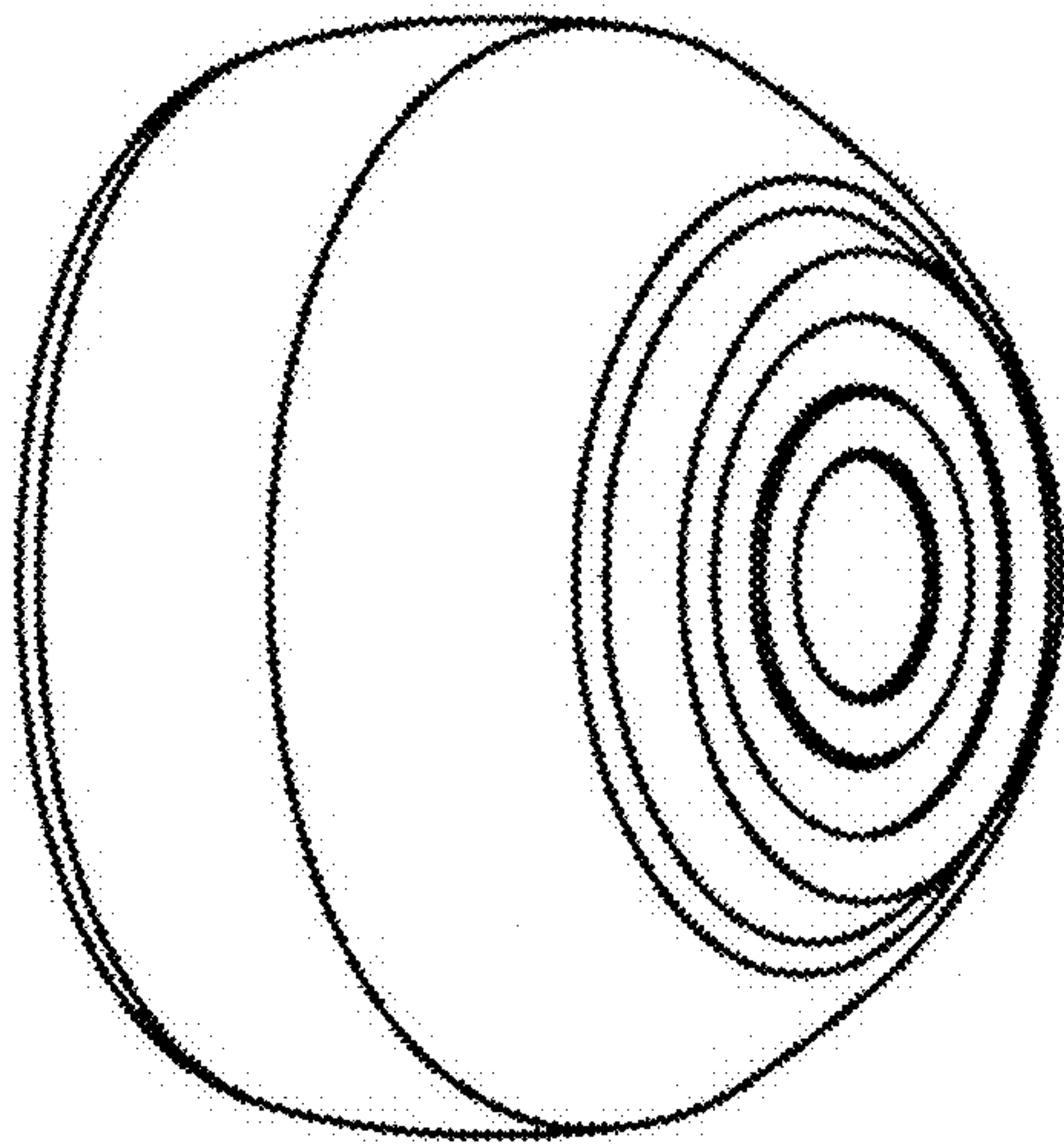
1.3



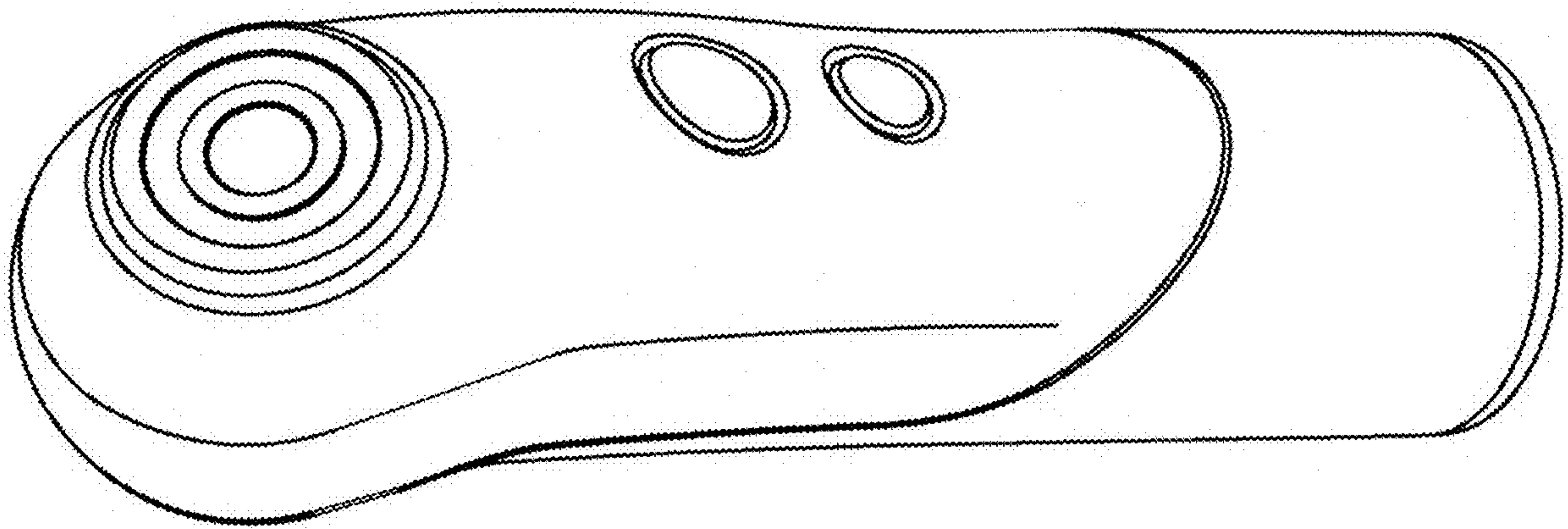
1.4



1.5



1.6





1.7

