



US00D870301S

(12) **United States Design Patent**
Sivan

(10) **Patent No.:** **US D870,301 S**

(45) **Date of Patent:** **** Dec. 17, 2019**

(54) **COLD THERAPY TREATMENT DEVICE**

FOREIGN PATENT DOCUMENTS

(71) Applicant: **FREEZE N FIT INC.**, Glen Cove, NY
(US)

CN 302643300 S 10/2013
CN 104095702 A 10/2014

(Continued)

(72) Inventor: **Avi Sivan**, Glen Cove, NY (US)

(73) Assignee: **FREEZE N FIT INC.**, Glen Cove, NY
(US)

(**) Term: **15 Years**

(21) Appl. No.: **29/621,329**

(22) Filed: **Oct. 6, 2017**

(51) **LOC (12) Cl.** **24-04**

(52) **U.S. Cl.**
USPC **D24/207**

(58) **Field of Classification Search**
USPC D24/206–208, 200, 186; 607/96
CPC A61F 7/02; A61F 7/10; A61F 7/106; A61F
7/00; A61F 7/007; A61F 7/0085; A61F
2007/0001; A61F 2007/0087; A61N
1/39624

See application file for complete search history.

(56) **References Cited**

U.S. PATENT DOCUMENTS

2,547,886 A * 4/1951 Poux A61F 7/02
607/112
D442,285 S * 5/2001 Perry D24/206
D445,195 S * 7/2001 Olson D24/200
D502,996 S * 3/2005 Guenther D24/200
D590,064 S * 4/2009 Janisch D24/206
7,658,756 B2 * 2/2010 Pierre A61F 7/02
138/89
D613,871 S * 4/2010 Choi D24/200
D628,705 S * 12/2010 Usui D24/206
D806,888 S * 1/2018 Cheng D24/206

(Continued)

OTHER PUBLICATIONS

Beauty Star Fat Freezing Machine Fat Freeze Body Slimming Lipa
Anti Cellulite Dissolve Fat Cold Therapy Anti Cellulite Machine.
AliExpress.com. Retrieved on Mar. 5, 2019. Retrieved from the
Internet: <https://www.aliexpress.com/item/Body-Slimming-Fat-Freezing-Machine-For-Fat-Freeze-Weight-Loss-Lipa-Anti-Cellulite...>, 16 pages.

Primary Examiner — Wan Laymon

(74) *Attorney, Agent, or Firm* — Collard & Roe, P.C.

(57) **CLAIM**

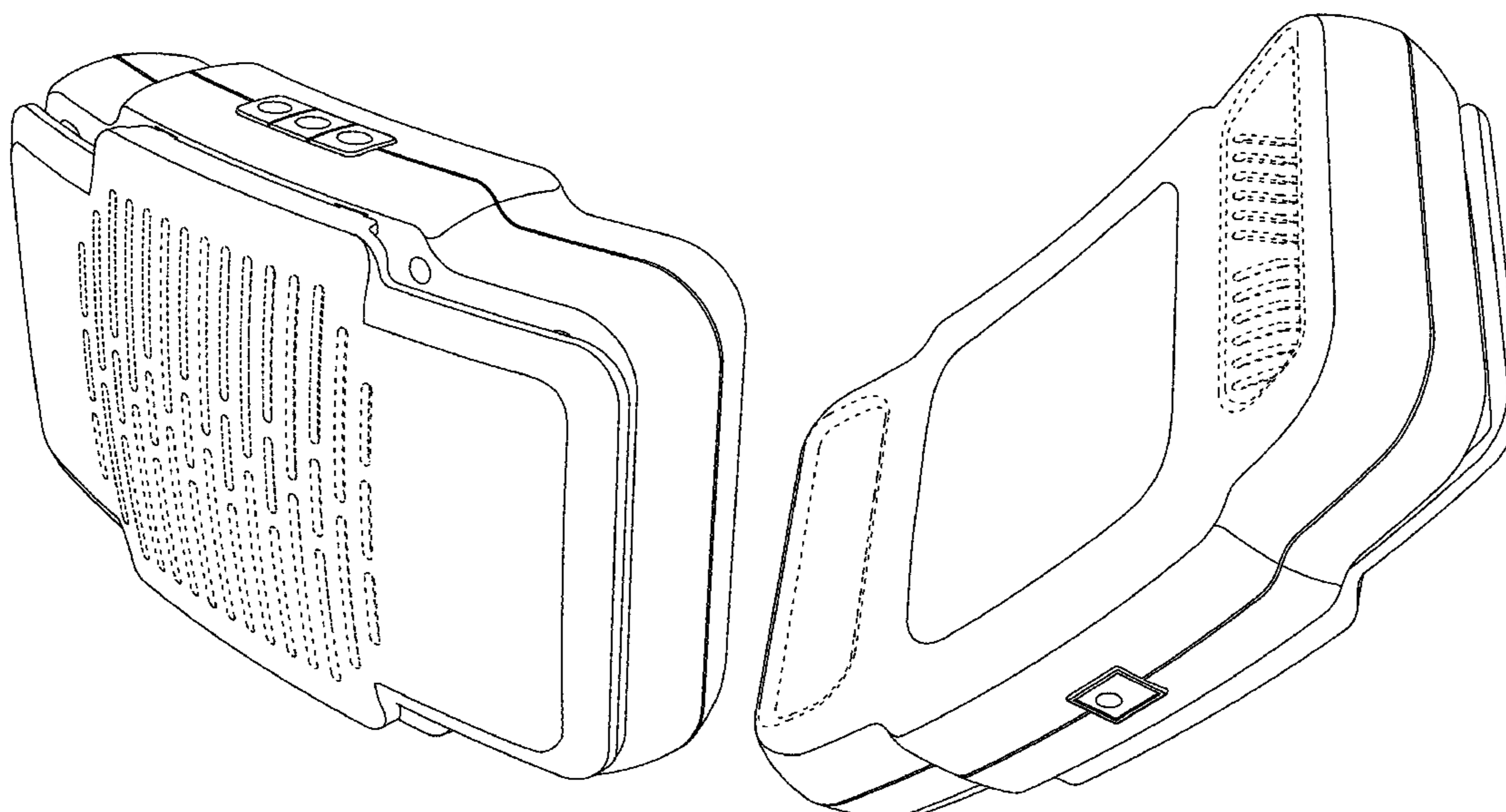
The ornamental design for a cold therapy treatment device,
as shown and described.

DESCRIPTION

FIG. 1 is a front view of the cold therapy treatment device
showing my design;
FIG. 2 is a back-side view thereof;
FIG. 3 is a top view thereof;
FIG. 4 is a bottom view thereof;
FIG. 5 is a left side view based upon the orientation of FIG.
1;
FIG. 6 is a right side view thereof;
FIG. 7 is a bottom right side and back perspective view
thereof;
FIG. 8 is a top, left side and back perspective view thereof;
FIG. 9 is a bottom, right side and front perspective view
thereof; and,
FIG. 10 is a top, right side and front perspective view
thereof.

The features shown in broken lines show environmental
structure only and form no part of the claimed design.

1 Claim, 10 Drawing Sheets



(56)

References Cited

U.S. PATENT DOCUMENTS

2014/0316493 A1* 10/2014 Kilbey A61F 7/10
607/108
2019/0167469 A1* 6/2019 Sivan A61F 7/007

FOREIGN PATENT DOCUMENTS

CN 203915197 U 11/2014
CN 204581495 U 8/2015

* cited by examiner

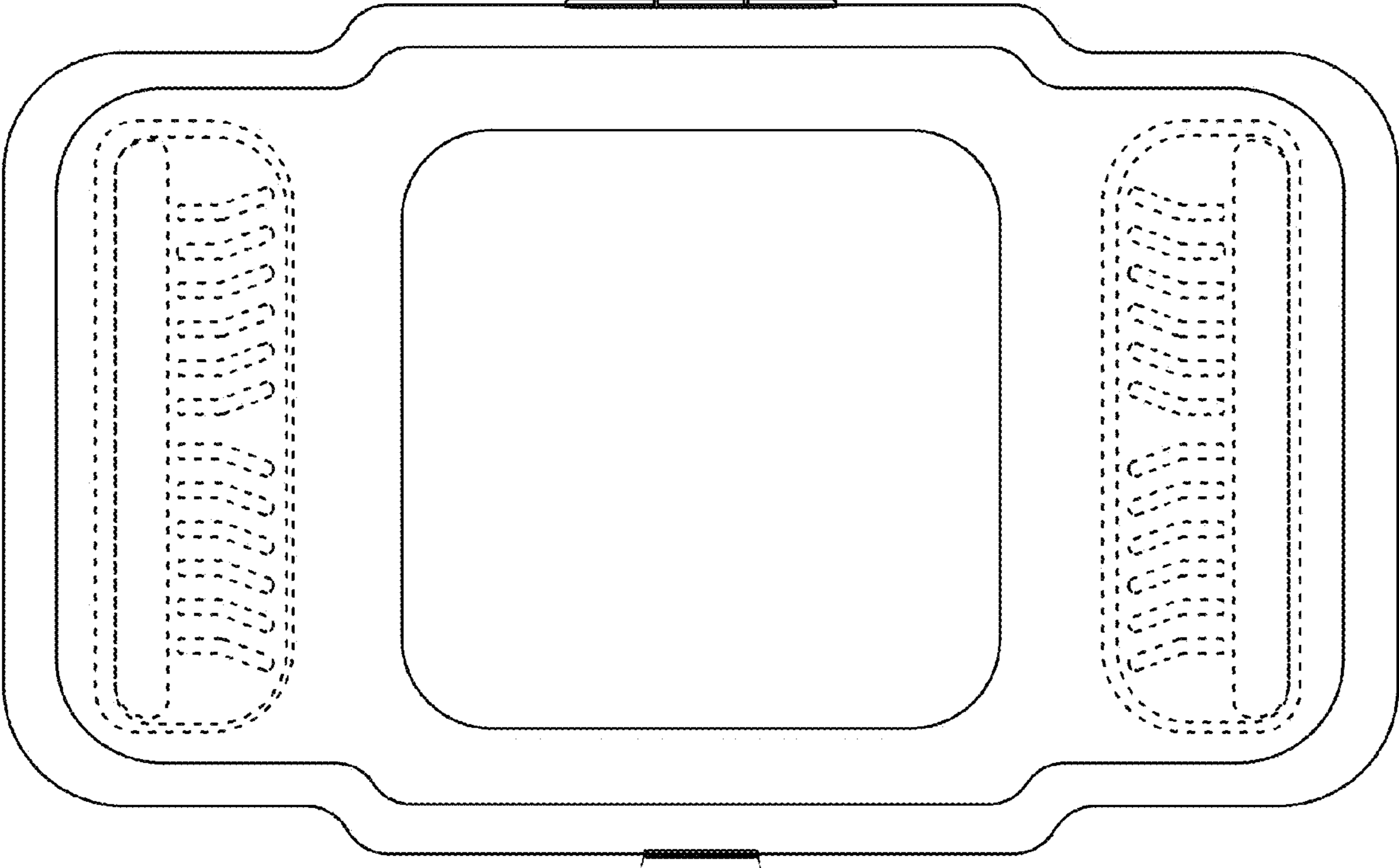


FIG. 1

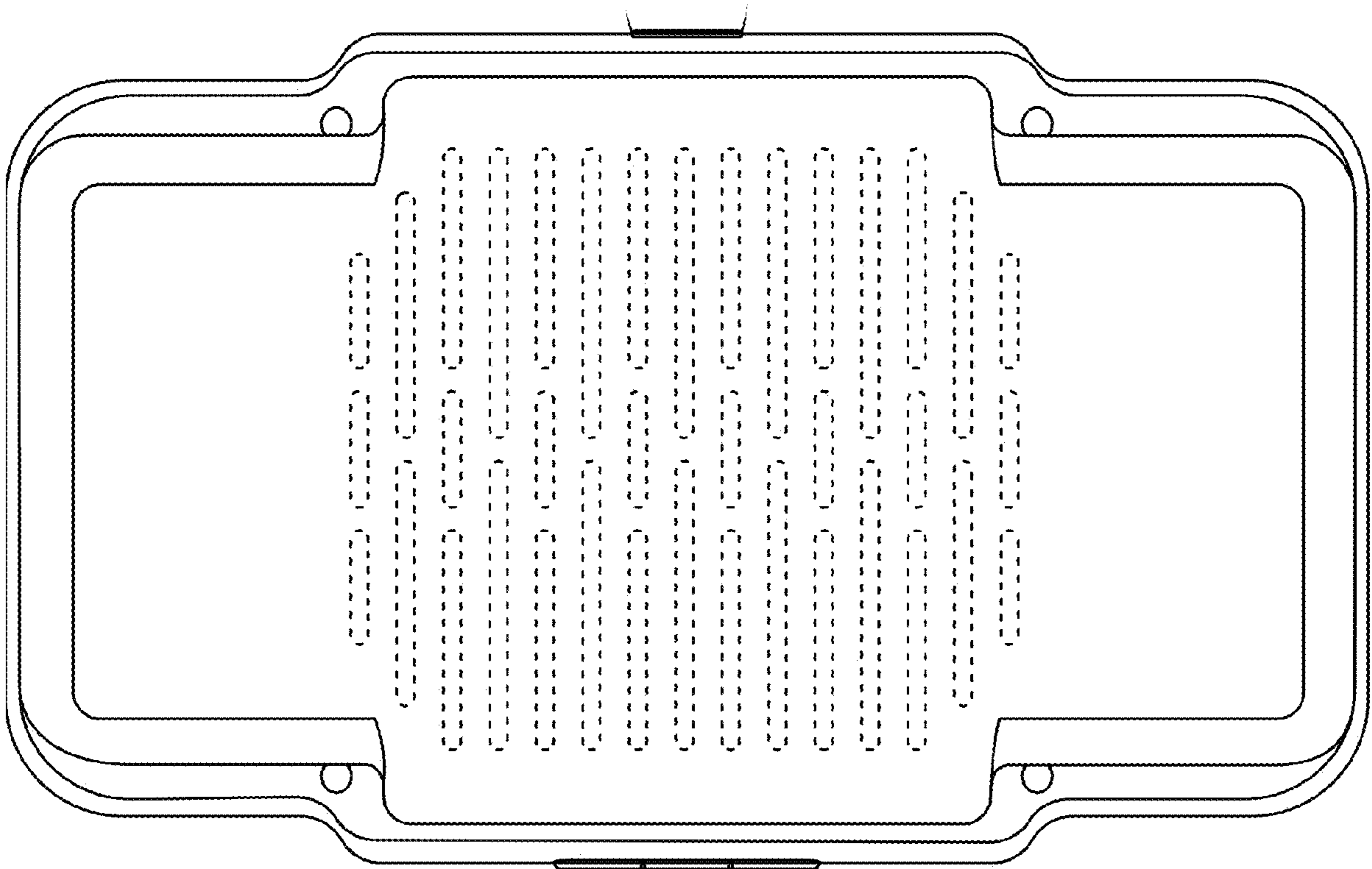


FIG. 2

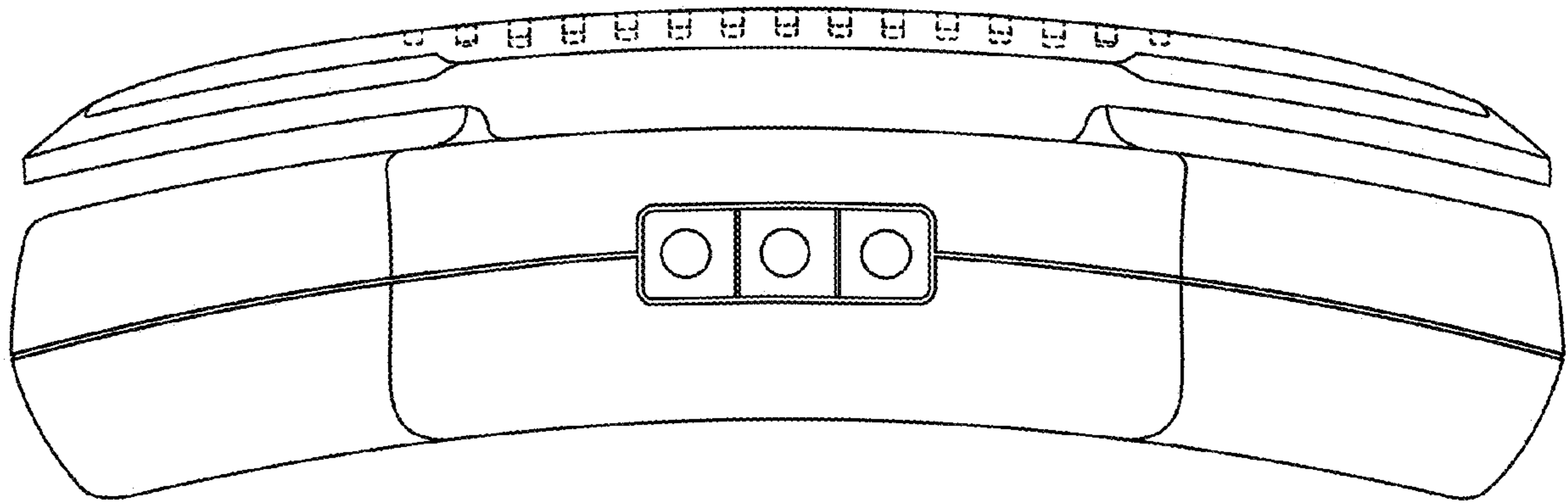


FIG. 3

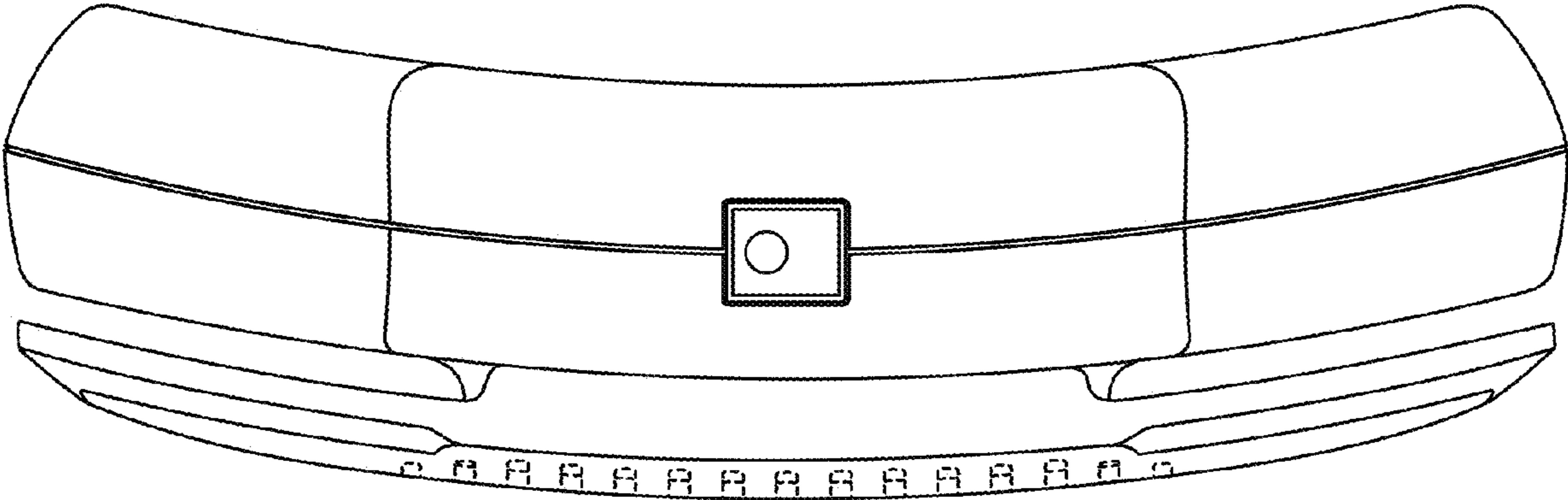


FIG. 4

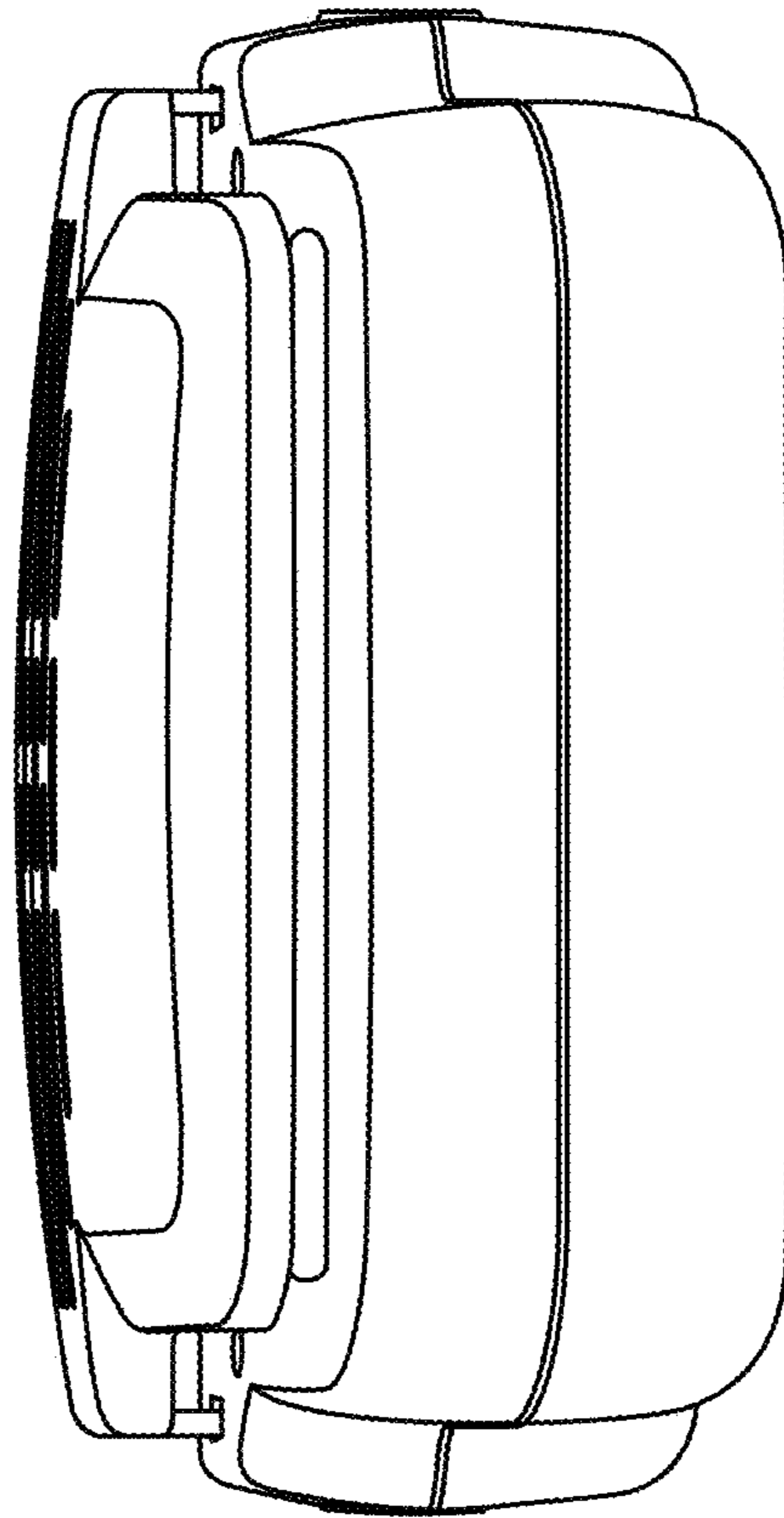


FIG. 5

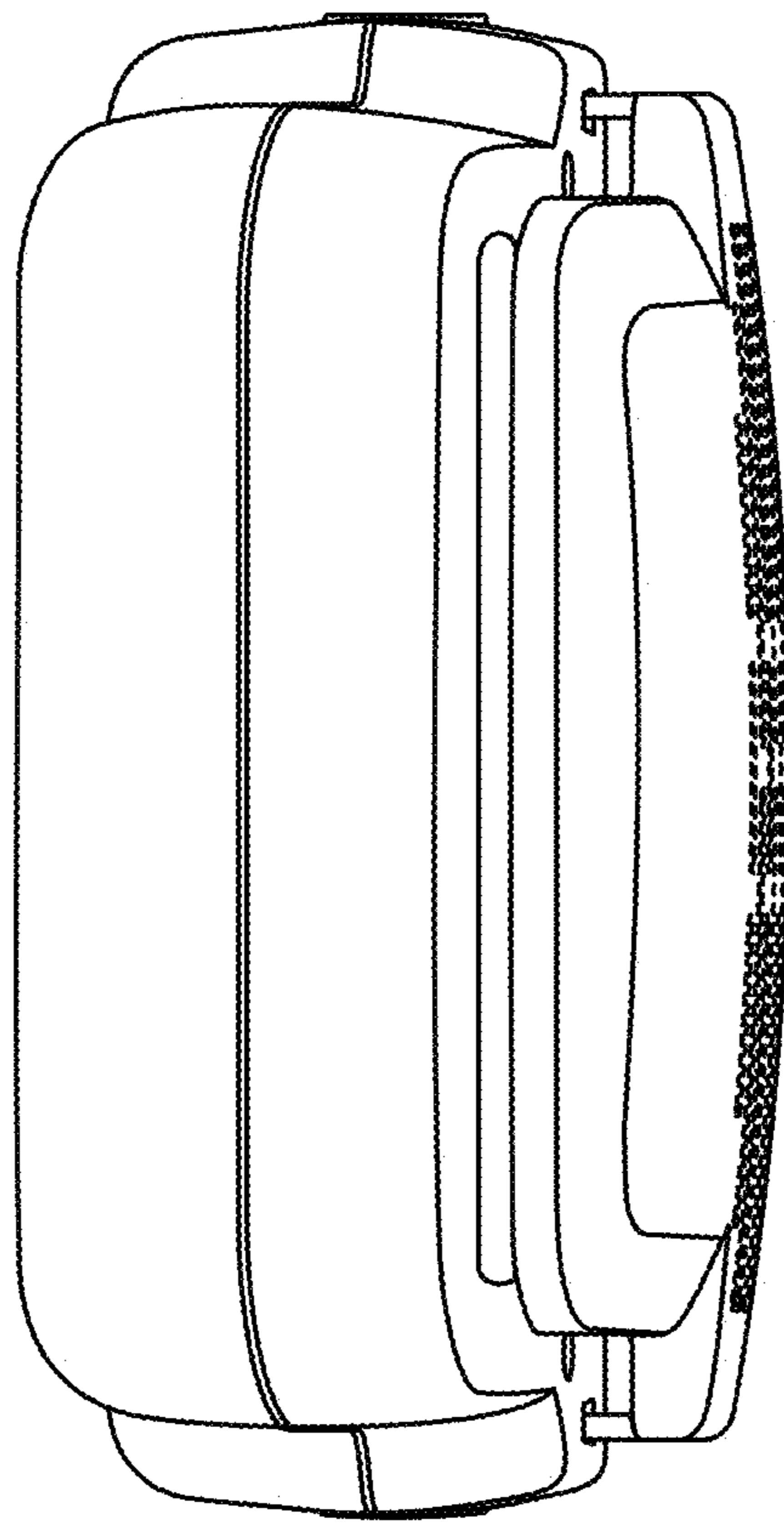


FIG. 6

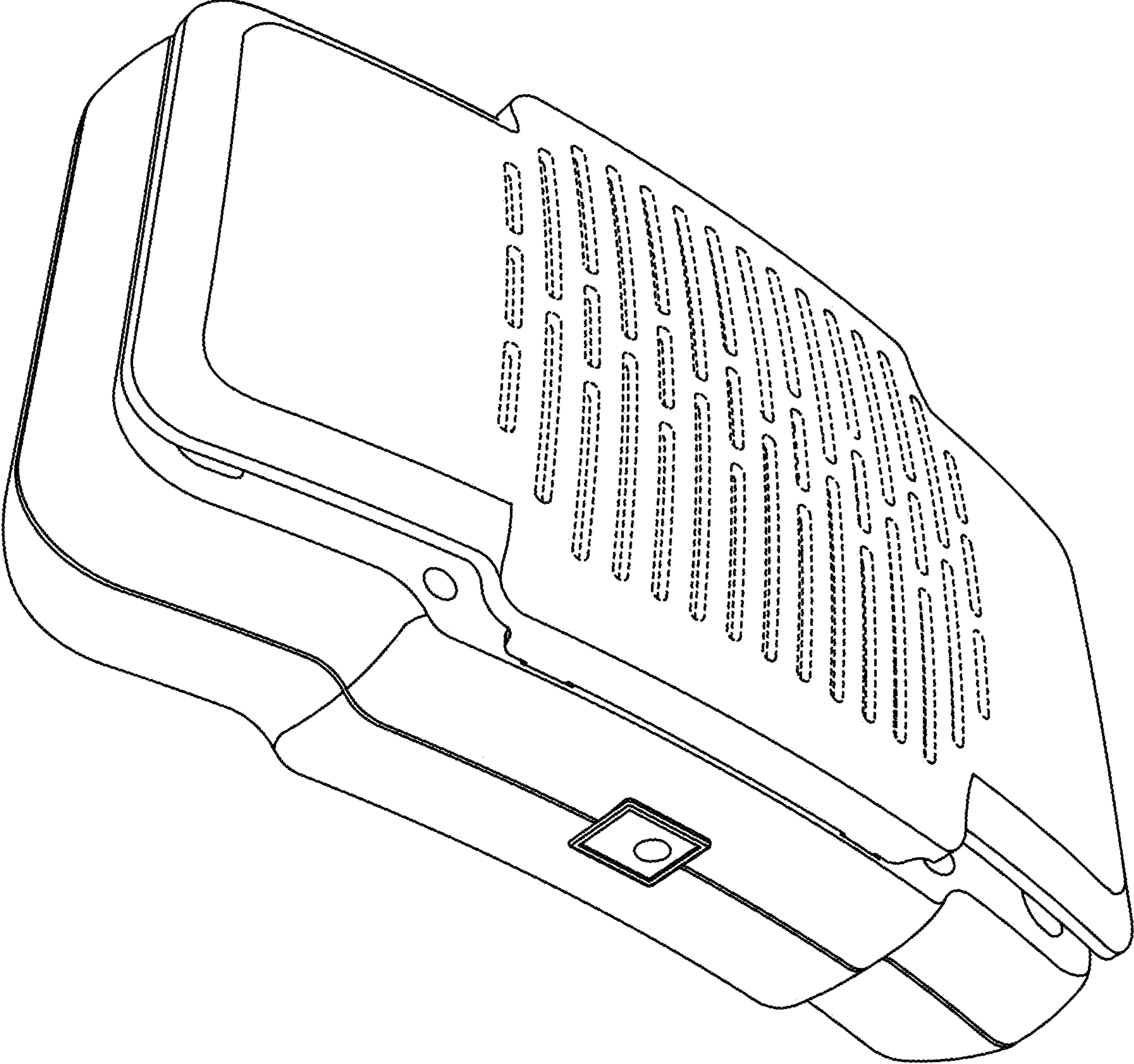


FIG. 7

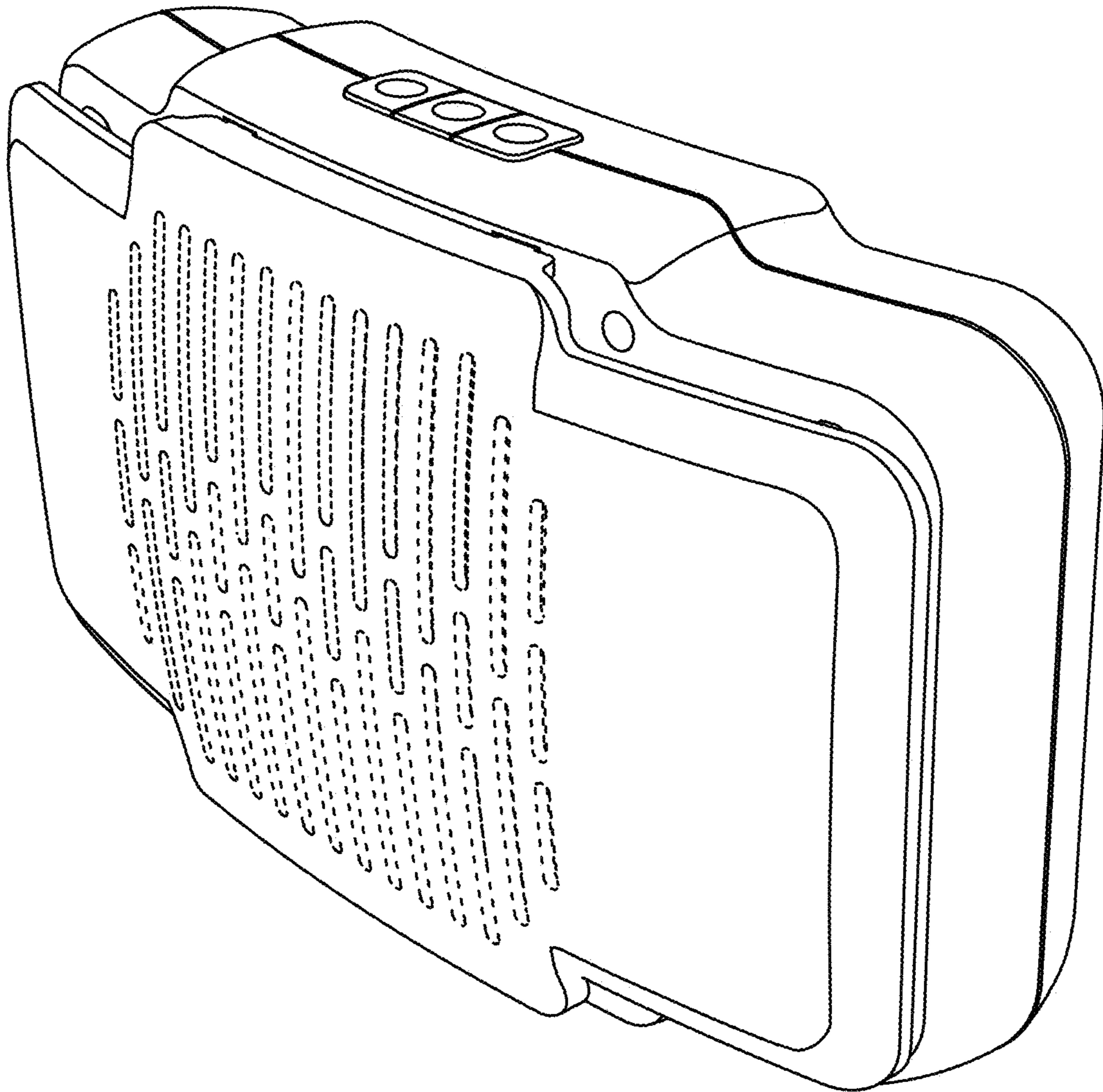


FIG. 8

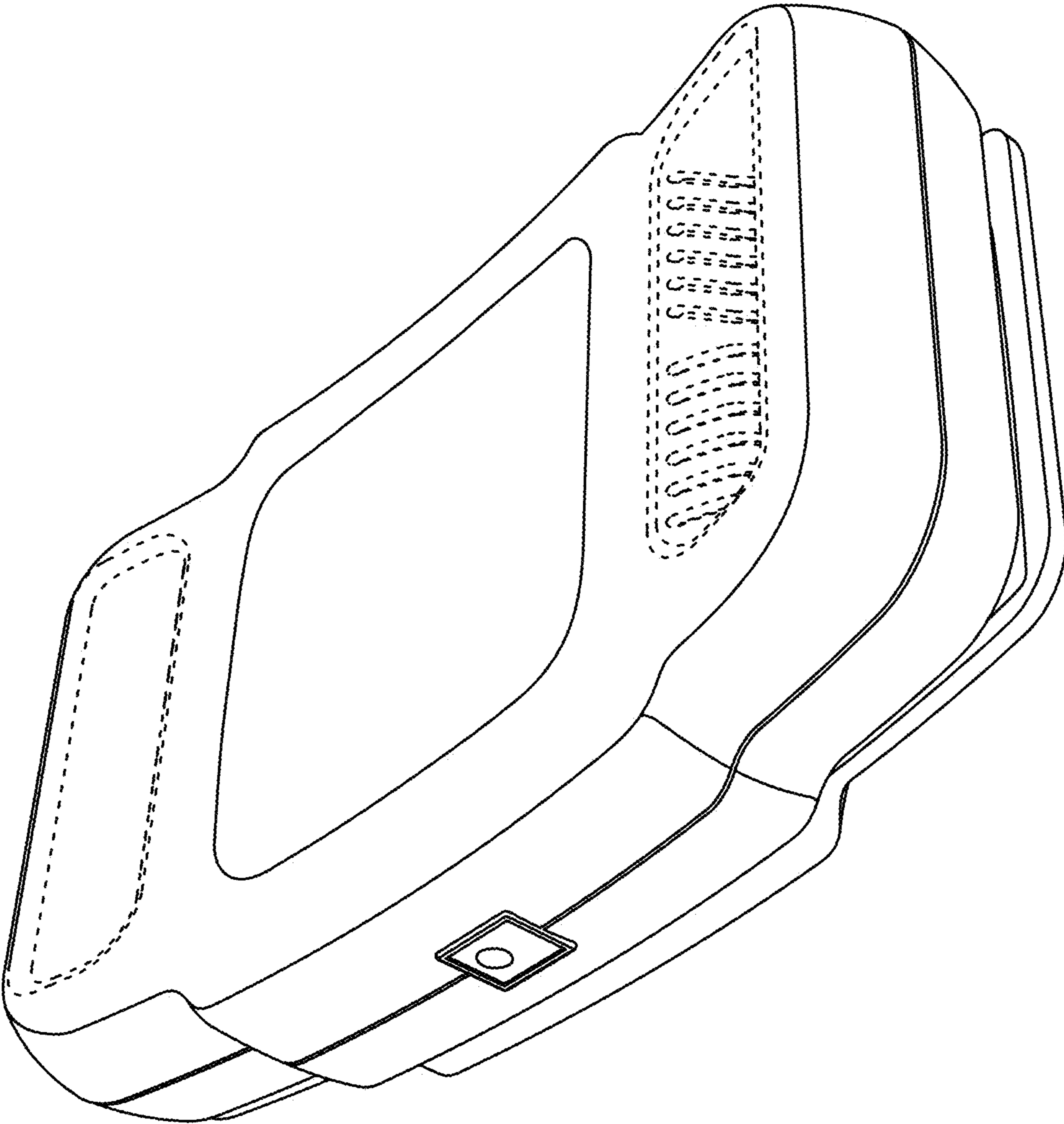


FIG. 9

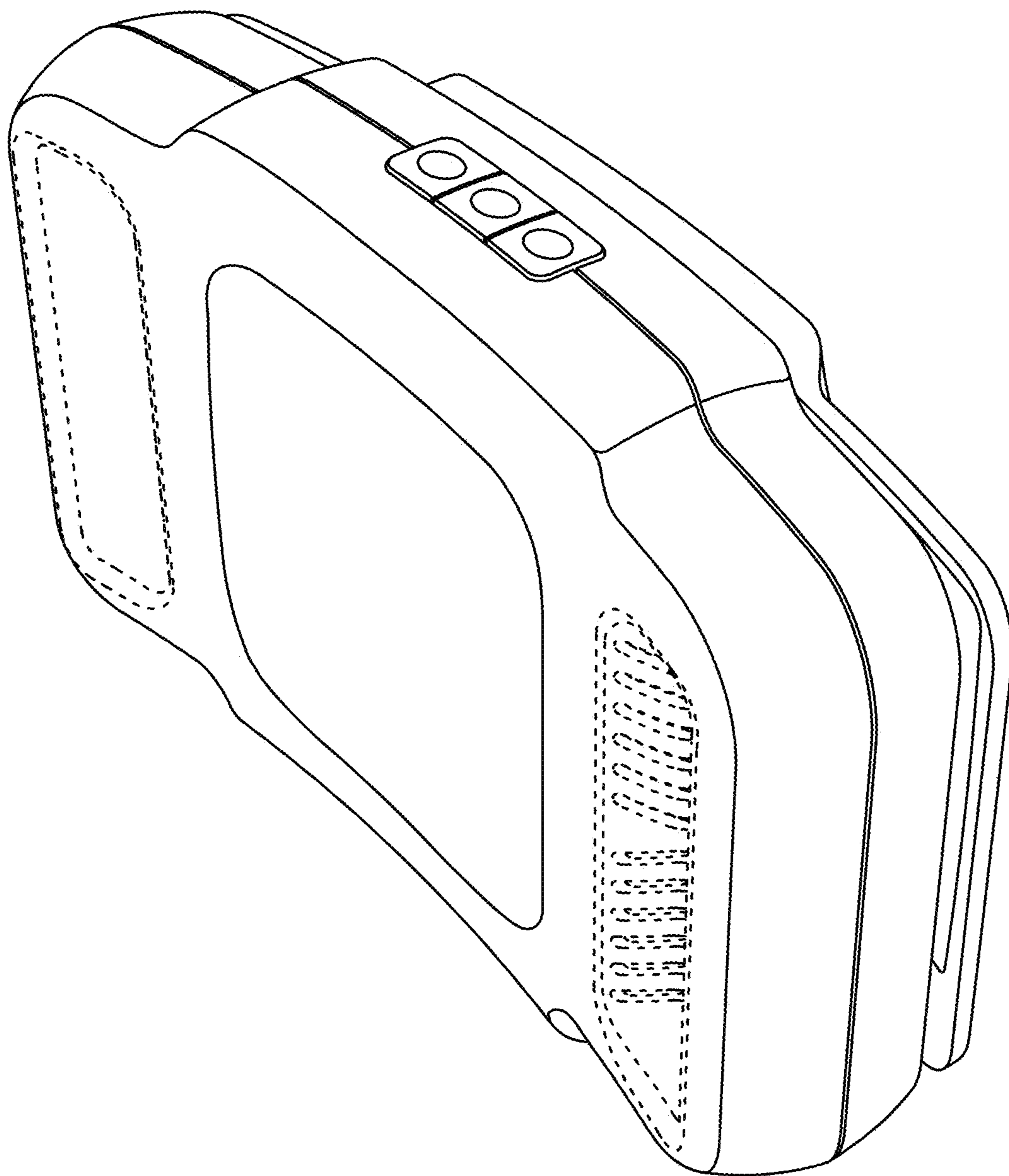


FIG. 10