



US00D870298S

(12) **United States Design Patent** (10) **Patent No.:** **US D870,298 S**
Sigurdsson (45) **Date of Patent:** **** Dec. 17, 2019**

(54) **STRAP FOR AN ORTHOPEDIC DEVICE**

5,334,135 A 8/1994 Grim et al.
5,385,538 A 1/1995 Mann
5,538,488 A 7/1996 Villepigue
(Continued)

(71) Applicant: **Ossur Iceland ehf**, Reykjavik (IS)

(72) Inventor: **Sindri Pall Sigurdsson**, Reykjavik (IS)

(73) Assignee: **OSSUR ICELAND EHF**, Reykjavik (IS)

CN 1354643 A 6/2002
CN 2604894 A1 3/2004
(Continued)

(**) Term: **15 Years**

FOREIGN PATENT DOCUMENTS

(21) Appl. No.: **29/626,586**

(22) Filed: **Nov. 17, 2017**

(51) **LOC (12) Cl.** **24-01**

(52) **U.S. Cl.**
USPC **D24/190**

(58) **Field of Classification Search**
USPC D24/188–192
CPC A61F 2005/0172; A61F 5/0109; A61F 5/0123; A61F 13/085; A61F 2002/30024; A61F 2002/5055; A61F 2002/5056; A61F 2002/7818; A61F 2002/785; A61F 2005/0137; A61F 2005/0169
See application file for complete search history.

International Search Report and Written Opinion from PCT Application No. PCT/US2018/062420, dated Mar. 14, 2019.
(Continued)

Primary Examiner — Jennifer L Watkins
(74) *Attorney, Agent, or Firm* — Workman Nydegger

(57) **CLAIM**

The ornamental design for a strap for an orthopedic device, as shown and described.

DESCRIPTION

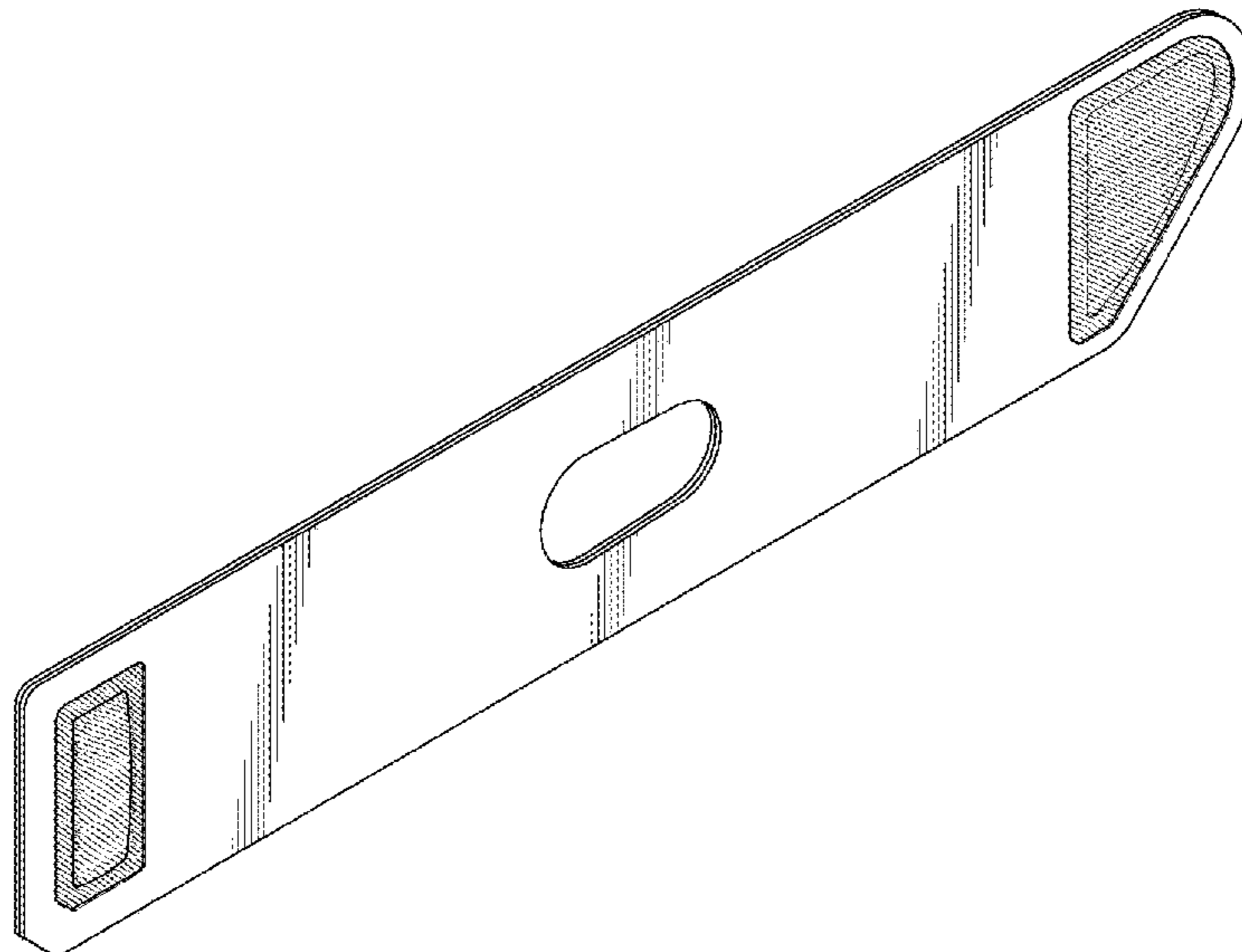
This application incorporates by reference U.S. patent application Ser. No. 15/672,593, filed on Aug. 9, 2017. FIG. 1 is a perspective view of a strap for an orthopedic device. FIG. 2 is a top plan view according to the strap for an orthopedic device of FIG. 1. FIG. 3 is a bottom plan view according to the strap for an orthopedic device of FIG. 1. FIG. 4 is a first side elevational view according to the strap for an orthopedic device of FIG. 1. FIG. 5 is a second side elevational view according to the strap for an orthopedic device of FIG. 1. FIG. 6 is a front elevational view according to the strap for an orthopedic device of FIG. 1; and, FIG. 7 is a rear elevational view according to the strap for an orthopedic device of FIG. 1.

(56) **References Cited**

U.S. PATENT DOCUMENTS

1,529,928 A	3/1925	Schuster
1,965,314 A	7/1934	Henderson
2,186,572 A	1/1940	Boepple
3,306,081 A	2/1967	Miles et al.
3,975,929 A	8/1976	Fregeolle
4,176,665 A	12/1979	Terpening
4,201,203 A	5/1980	Applegate
4,379,463 A	4/1983	Meier et al.
4,492,227 A	1/1985	Senn et al.
4,870,956 A	10/1989	Fatool et al.
5,036,837 A	8/1991	Mitchell et al.
5,139,477 A	8/1992	Peters
5,277,697 A	1/1994	France et al.

1 Claim, 3 Drawing Sheets



(56)

References Cited

U.S. PATENT DOCUMENTS

5,695,452 A 12/1997 Grim et al.
 5,711,029 A 1/1998 Visco et al.
 5,728,057 A 3/1998 Ouellette et al.
 5,728,058 A 3/1998 Ouellette et al.
 5,730,710 A 3/1998 Eichhorn et al.
 5,769,809 A 6/1998 Witzel
 5,865,776 A 2/1999 Springs
 6,059,834 A 5/2000 Springs
 6,149,616 A 11/2000 Szlema et al.
 D435,145 S * 12/2000 Lindsey D29/100
 6,371,933 B1 4/2002 Gardon-Mollard
 6,412,311 B1 7/2002 Nakai
 6,430,970 B1 8/2002 Gardon-Mollard et al.
 6,523,729 B1 2/2003 Gardon-Mollard
 6,592,539 B1 7/2003 Einarsson et al.
 6,634,190 B2 10/2003 Didier-Laurent
 6,838,402 B2 1/2005 Harris et al.
 7,017,376 B2 3/2006 Meckley et al.
 7,025,738 B2 4/2006 Hall
 7,076,973 B1 7/2006 Chesebro, Jr. et al.
 7,083,586 B2 8/2006 Simmons et al.
 7,198,610 B2 4/2007 Ingimundarson et al.
 7,273,464 B2 9/2007 Reinhardt
 D574,084 S 7/2008 Reinhardt
 7,473,236 B1 1/2009 Mathewson
 7,517,331 B2 4/2009 Reinhardt et al.
 7,625,350 B2 12/2009 Hunter et al.
 7,749,181 B2 7/2010 Simmons et al.
 7,819,830 B2 10/2010 Sindel et al.
 7,871,388 B2 1/2011 Brown
 7,896,827 B2 3/2011 Ingimundarson et al.
 7,943,219 B2 5/2011 Krueger
 7,959,590 B2 6/2011 Scott
 8,025,632 B2 9/2011 Einarsson
 8,043,242 B2 10/2011 McSpadden et al.
 8,048,014 B2 11/2011 Brown
 8,066,654 B2 11/2011 Sandifer et al.
 8,118,765 B2 2/2012 Magnusson
 8,328,747 B2 12/2012 Matsunaga
 D741,622 S * 10/2015 Jensen D6/606
 9,173,763 B2 11/2015 Gilmer et al.
 9,393,147 B2 7/2016 Scheuermann et al.
 D777,468 S * 1/2017 Currier D6/518
 D783,207 S * 4/2017 Lindsey D29/101.1
 D788,540 S * 6/2017 Mock D7/601
 9,744,063 B2 8/2017 Huffa et al.
 9,750,643 B2 9/2017 Convert et al.
 D831,221 S * 10/2018 Smith D24/190
 D843,684 S * 3/2019 Hamilton D2/639
 2003/0114782 A1 6/2003 Chiang et al.
 2003/0216676 A1 11/2003 Gardon-Mollard
 2004/0153017 A1 8/2004 Simmons et al.
 2005/0020951 A1 1/2005 Gaylord et al.
 2006/0151550 A1 7/2006 Chevalier
 2006/0246802 A1 11/2006 Hughes et al.
 2007/0060853 A1 3/2007 Sindel et al.
 2007/0197944 A1 8/2007 Bruce et al.
 2008/0139982 A1 6/2008 Magnusson
 2009/0156973 A1 6/2009 Scott
 2010/0036303 A1 2/2010 Bauerfeind et al.
 2010/0152635 A1 * 6/2010 Borden A61F 5/3738
 602/4
 2011/0172582 A1 7/2011 Darian
 2012/0165713 A1 6/2012 Forbes et al.
 2012/0277649 A1 11/2012 Matsuo et al.
 2013/0022794 A1 1/2013 Ng et al.
 2013/0053743 A1 2/2013 Reinhardt et al.
 2013/0053744 A1 2/2013 Convert et al.
 2013/0110023 A1 5/2013 Scheuermann et al.
 2013/0211304 A1 8/2013 Romo et al.
 2013/0251962 A1 9/2013 Reid, Jr.
 2013/0333706 A1 12/2013 Bauerfeind
 2014/0303534 A1 10/2014 Huffa et al.
 2015/0032041 A1 1/2015 Ingimundarson et al.
 2015/0038891 A1 2/2015 Lipton et al.

2015/0121657 A1 5/2015 Ingimundarson et al.
 2015/0272767 A1 10/2015 Field
 2015/0290014 A1 10/2015 Anglada et al.
 2016/0081835 A1 3/2016 Grange et al.
 2017/0020707 A1 1/2017 Duport et al.
 2017/0027719 A1 2/2017 Bache et al.
 2017/0119568 A1 5/2017 Chiang et al.
 2018/0042754 A1 2/2018 Ingimundarson et al.
 2018/0078398 A1 3/2018 Ingimundarson et al.
 2019/0037937 A1 2/2019 Ito et al.

FOREIGN PATENT DOCUMENTS

DE 102010019405 A1 8/2011
 EP 2283795 A1 2/2011
 EP 2536370 B1 1/2015
 FR 2775431 A1 9/1999
 FR 2807644 A1 10/2001
 FR 2879405 A1 6/2006
 WO 9105498 A1 5/1991
 WO 9944548 A1 9/1999
 WO 03096851 A1 11/2003
 WO 2008006142 A1 1/2008
 WO 2012003992 A1 1/2012
 WO 2017135473 A1 8/2017
 WO 2018031618 A1 2/2018

OTHER PUBLICATIONS

Product Information, "BORT AsymmetricPlus, No. 114900, Unit PCE", downloaded Mar. 31, 2014, 3 pages. Retrieved at <http://shop.bort.de/en/produkt-details.aspx?ProductNo=114900>.
 Product Information, "BORT AsymmetricPlus, No. 114700, Unit PCE", downloaded Mar. 31, 2014, 3 pages. Retrieved at <http://shop.bort.de/en/produkt-details.aspx?ProductNo=114700>.
 Brochure, "BORT Asymmetric Plus, Die Mehrwert-Orthese bei Patella-Luxation", downloaded Aug. 2012. 16 pages. Retrieved at <http://www.bort.com>.
 Catalog, "Bracing and Supports Catalog," Ottobock, 2015, pp. 1-100.
 Catalog, "Continuum of Care for Orthopedic Clinics," BSNmedical, 2016, pp. 1-48.
 Catalog, "Product Guide," Mueller Sports Medicine, 2016, pp. 1-92.
 Catalog, "Aircast Procure Exos Product Catalog," DJO Global, 2014, pp. 1-144.
 Brochure, "Action Reliever Active Pain Relief For Knee Osteoarthritis," Thuasne, 2017, 2 Pages.
 Catalog, "Catalogue 2017," Bort Medical, 2017, pp. 1-196.
 Catalog, "2017 International Product Catalog," BREG, 2017, pp. 1-100.
 Catalog, "International Catalogue," Gibaud, Jun. 2014, pp. 1-92.
 Product Information, "GenuForce," DJO Global, retrieved from www.djoglobal.com/products/donjoy/genuforce, downloaded Nov. 9, 2017, 3 Pages.
 Product Information, "Genumedi & Genumedi Extra Wide," Medi, retrieved from <https://mediusa.com/portfolio-item/genumedi/>, downloaded Nov. 9, 2017, 5 Pages.
 Product Information, "Genumedi pro," Medi, retrieved from <http://mediusa.com/portfolio-item/genumedi-pro/>, downloaded Nov. 9, 2017, 5 Pages.
 Product Information, "Genumedi PT," Medi, retrieved from <http://mediusa.com/portfolio-item/genumedi-pt/>, downloaded Nov. 9, 2017, 5 Pages.
 Product Information, "GenuTrain P3," Bauerfeind, downloaded Nov. 9, 2017, 3 Pages.
 Product Information, "Lumbamed Basic," Medi, retrieved from <http://mediusa.com/portfolio-item/lumbamed-basic/>, downloaded Nov. 9, 2017, 5 Pages.
 Product Information, "Lumbamed Plus," Medi, retrieved from <http://mediusa.com/portfolio-item/lumbamed-plus/>, downloaded Nov. 9, 2017, 7 Pages.
 Product Information, "LumboTrain," Bauerfeind, downloaded Nov. 9, 2017, 3 Pages.

(56)

References Cited

OTHER PUBLICATIONS

Product Information, "LumboTrain Lady," Bauerfeind, downloaded Nov. 9, 2017, 3 Pages.

Product Information, "MalleoTrain," Bauerfeind, downloaded Nov. 9, 2017, 3 Pages.

Catalog, "OA & Injury Solutions Catalogue," OSSUR, 2017, pp. 1-121.

Catalog, "Product Catalog Supports and Orthoses," Bauerfeind, 2015, pp. 1-72.

Catalog, "Push For Freedom," Push Braces, pp. 1-28.

Product Information, "Sports Ankle Support Dynamic," Bauerfeind, downloaded Nov. 9, 2017, 2 Pages.

Product Information, "Sports Back Support," Bauerfeind, downloaded Nov. 9, 2017, 3 Pages.

Product Information, "Sports Elbow Support," Bauerfeind, downloaded Nov. 9, 2017, 4 Pages.

Product Information, "Sports Knee Support," Bauerfeind, downloaded Nov. 9, 2017, 3 Pages.

Catalog, "Orthopedic Products 2016," Thuasne, 2016, pp. 1-32.

International Search Report from PCT Application No. PCT/US2017/046028, dated Nov. 7, 2017.

* cited by examiner

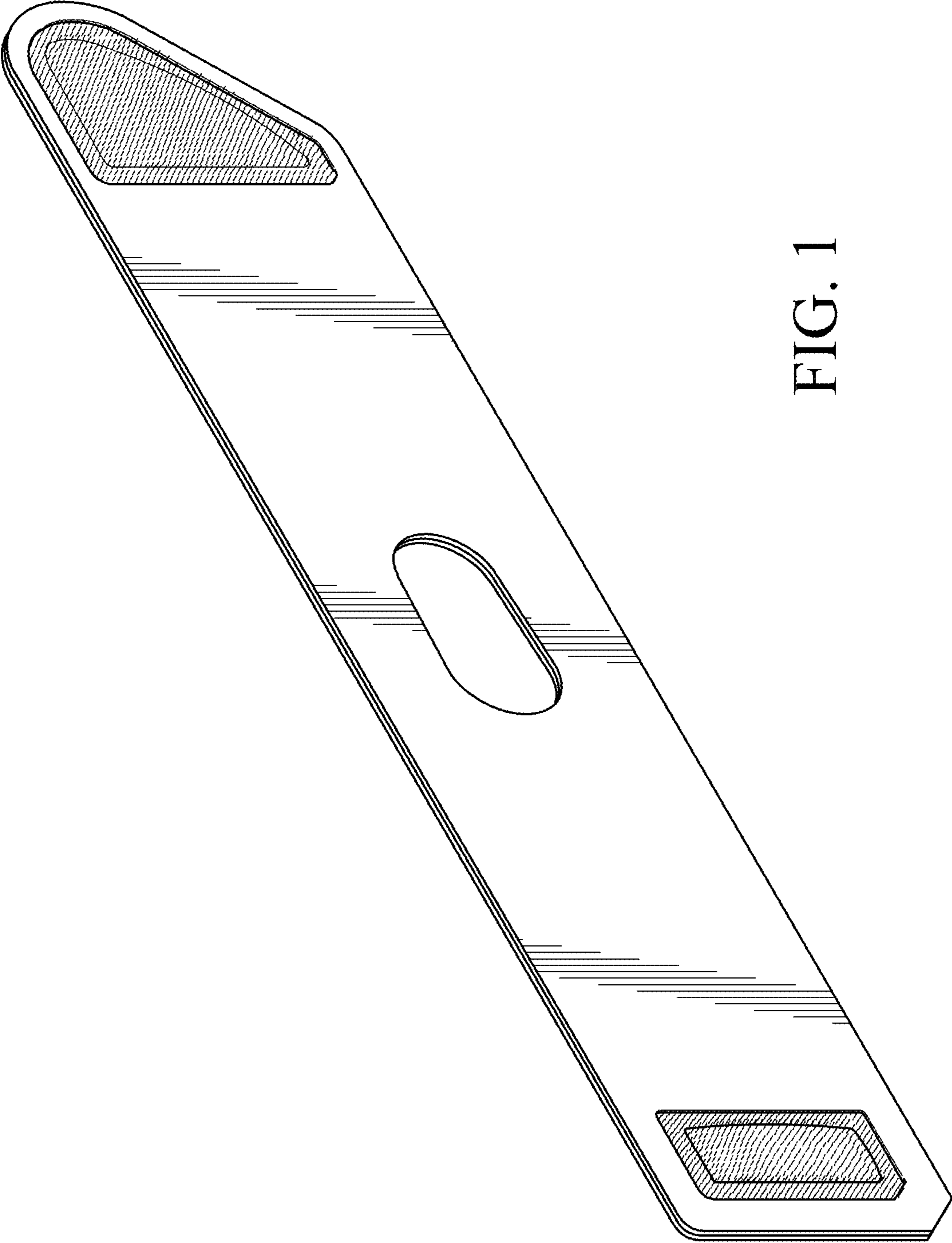


FIG. 1

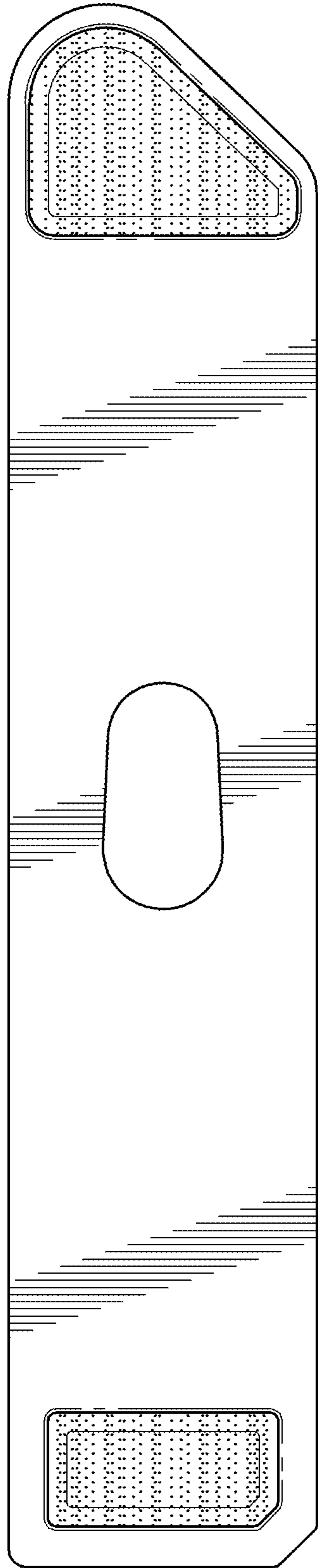


FIG. 2

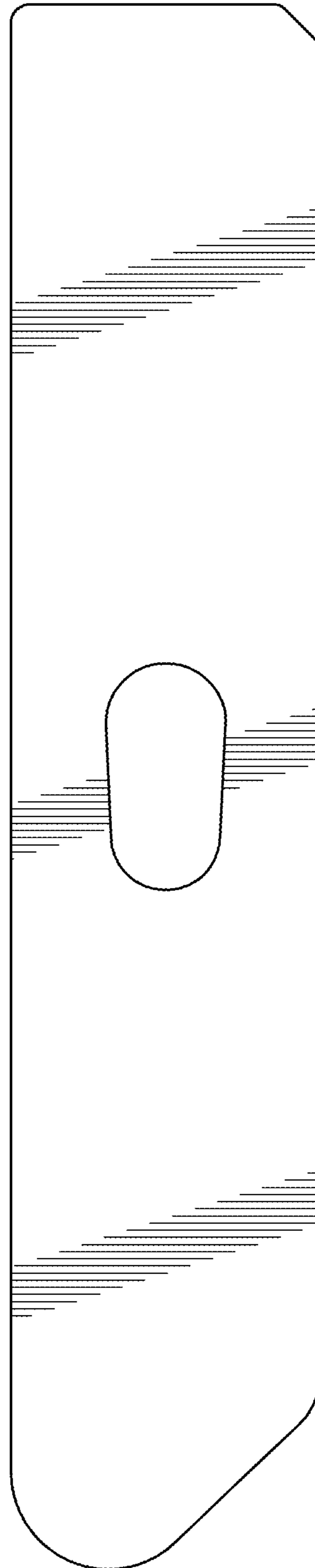


FIG. 3

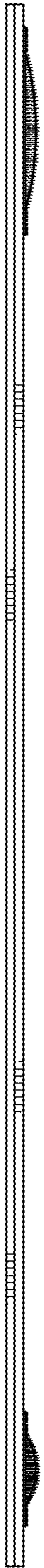


FIG. 4

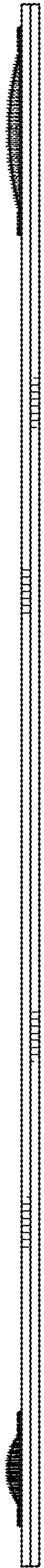


FIG. 5

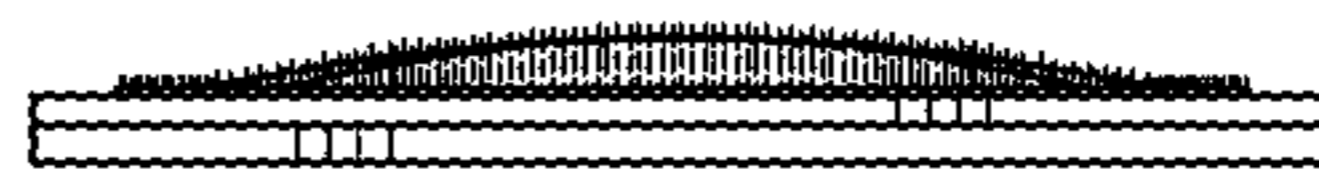


FIG. 6

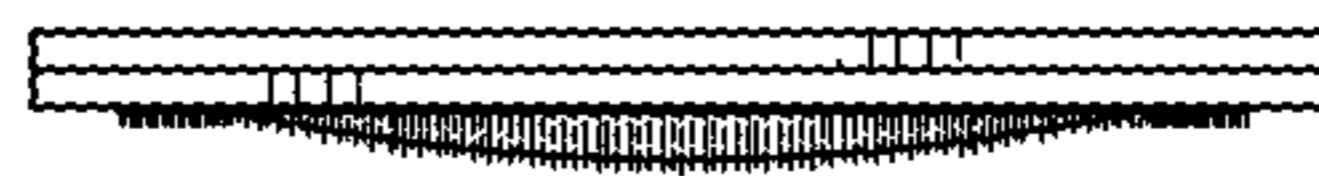


FIG. 7