

US00D870294S

(12) **United States Design Patent** (10) **Patent No.:** **US D870,294 S**
Bechtel et al. (45) **Date of Patent:** **** Dec. 17, 2019**

(54) **MEDICAL DEVICE**
 (71) Applicant: **ViOptix, Inc.**, Newark, CA (US)
 (72) Inventors: **Kate LeeAnn Bechtel**, Pleasant Hill, CA (US); **Sophia Elizabeth Berger**, Palo Alto, CA (US)
 (73) Assignee: **ViOptix, Inc.**, Newark, CA (US)

8,290,558 B1 10/2012 Lash et al.
 D680,452 S 4/2013 Bianco
 D706,433 S * 6/2014 Fuhr D24/200
 8,798,700 B1 * 8/2014 Heaton, II A61B 5/684
 600/323
 D813,400 S * 3/2018 Bechtel D24/186
 2016/0100781 A1 4/2016 Bechtel et al.
 2017/0303836 A1 * 10/2017 Bechtel A61B 5/14552
 2018/0092581 A1 * 4/2018 Heanue A61B 5/14552

(**) Term: **15 Years**

(21) Appl. No.: **29/641,081**

(22) Filed: **Mar. 19, 2018**

Related U.S. Application Data

(62) Division of application No. 29/561,749, filed on Apr. 19, 2016, now Pat. No. Des. 813,400.

(51) **LOC (12) Cl.** **24-02**

(52) **U.S. Cl.**
USPC **D24/186**

(58) **Field of Classification Search**
 USPC D24/186, 133, 137, 138, 147, 152, 156, D24/169; D10/57, 70, 78, 81, 98, 104.1; D13/168; 600/310, 323, 344, 328
 CPC A61B 5/14553; A61B 2560/0425; A61B 5/061; A61B 5/063; G01N 21/3151
 See application file for complete search history.

(56) **References Cited**

U.S. PATENT DOCUMENTS

D610,688 S 2/2010 Donars et al.
 D623,754 S 9/2010 Tuhkanen

* cited by examiner

Primary Examiner — Wan Laymon

Assistant Examiner — Mark Booker

(74) *Attorney, Agent, or Firm* — Aka Chan LLP

(57) **CLAIM**

The ornamental design for a medical device, as shown and described.

DESCRIPTION

FIG. 1 shows a perspective view of a design for a medical device.

FIG. 2 shows a front view of the medical device.

FIG. 3 shows a back view of the medical device.

FIG. 4 shows a left side view of the medical device.

FIG. 5 shows a right side view of the medical device.

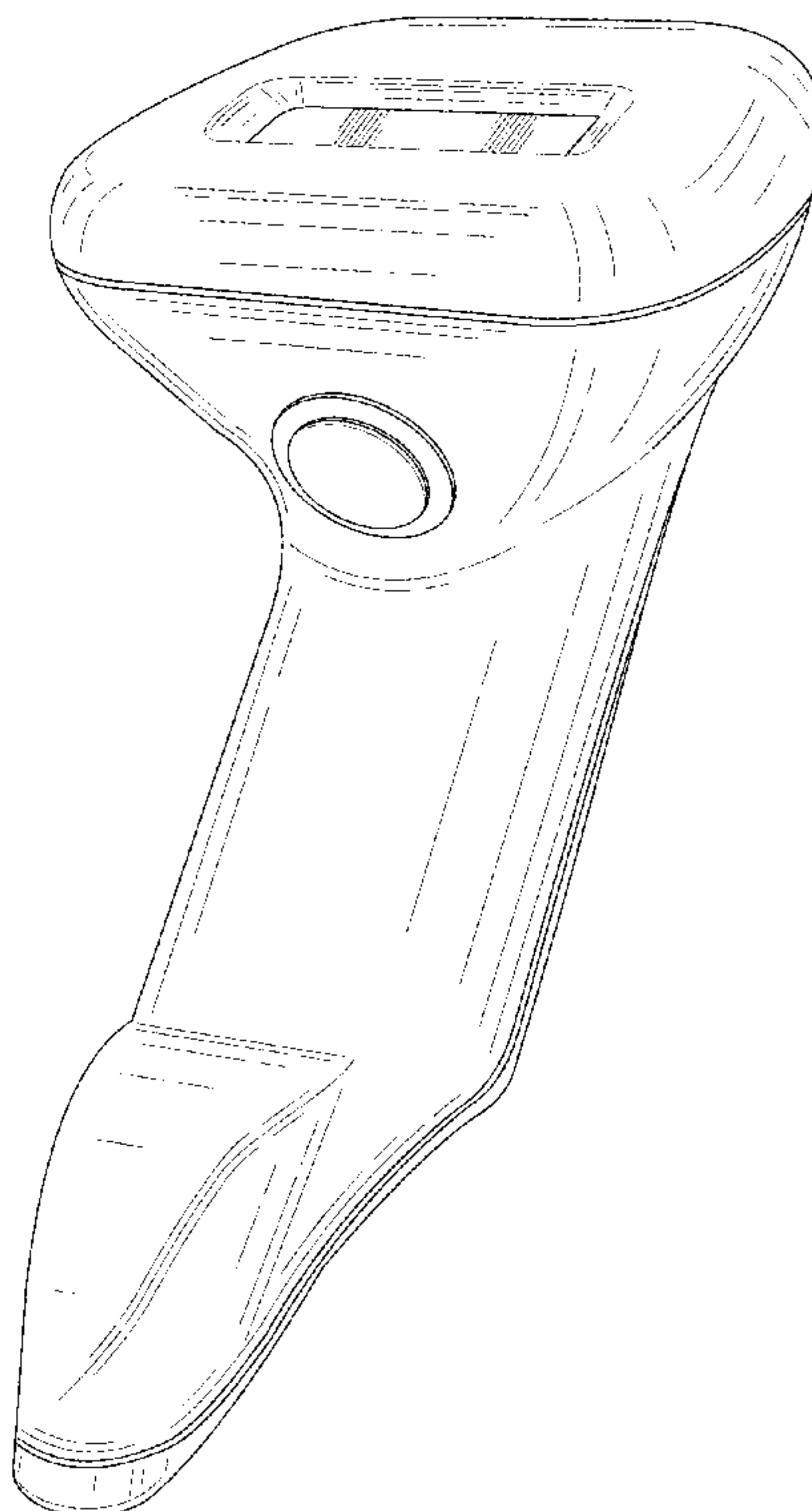
FIG. 6 shows a top view of the medical device.

FIG. 7 shows a bottom view of the medical device; and,

FIG. 8 shows a view of the medical device being gripped by a hand of a user.

The broken lines shown in the figures represent portions of the medical device or the hand of the user which form no part of the claimed design.

1 Claim, 8 Drawing Sheets



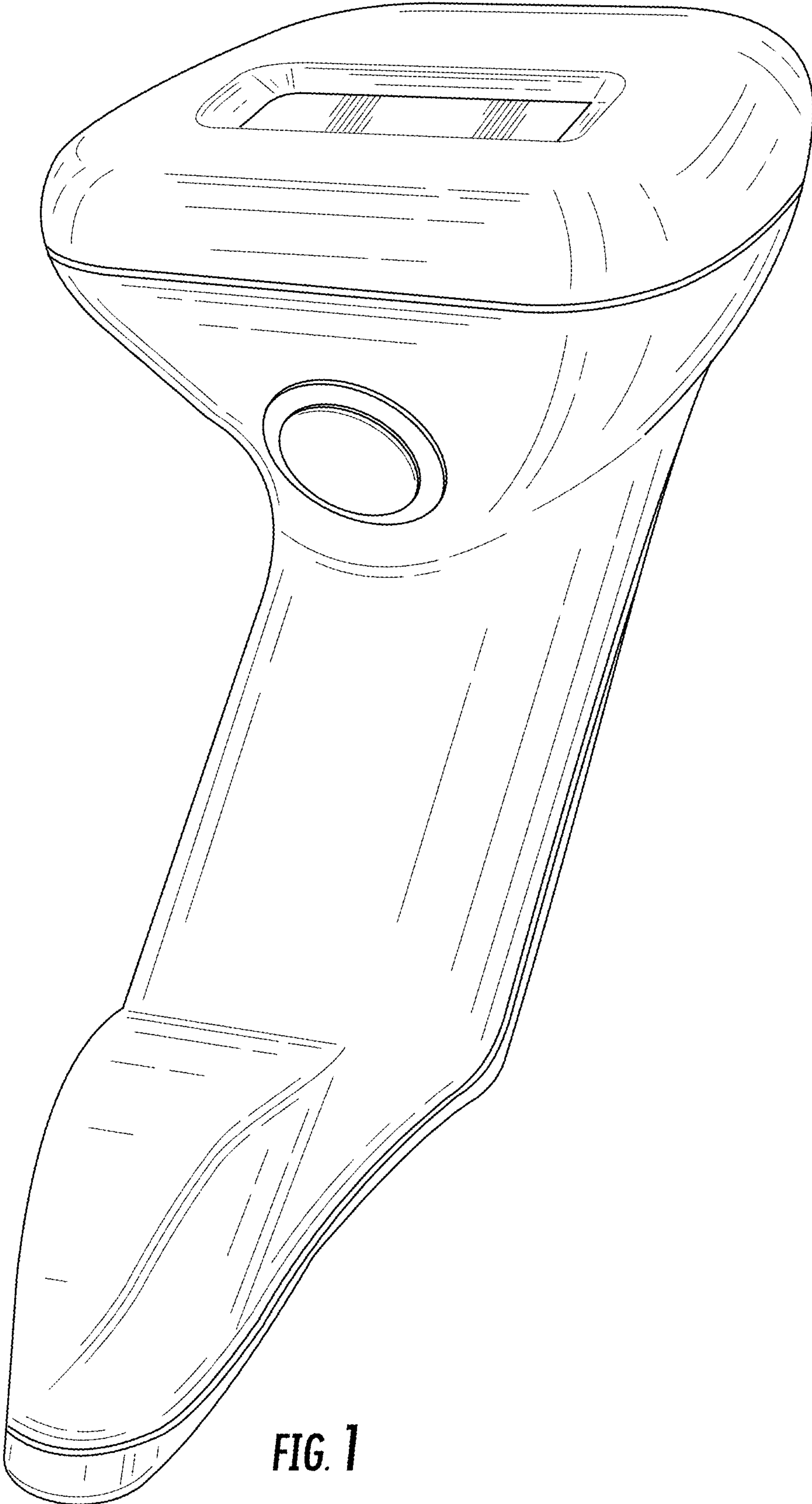


FIG. 1

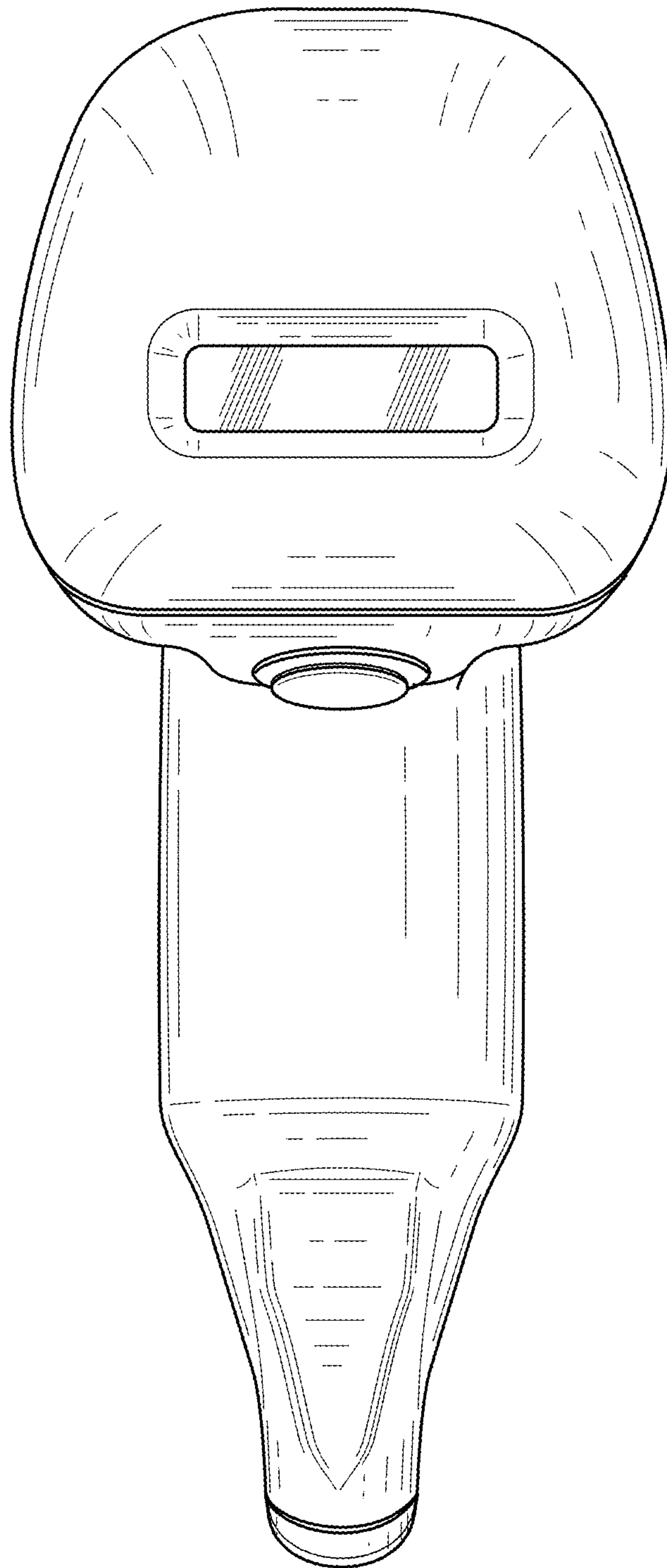


FIG. 2

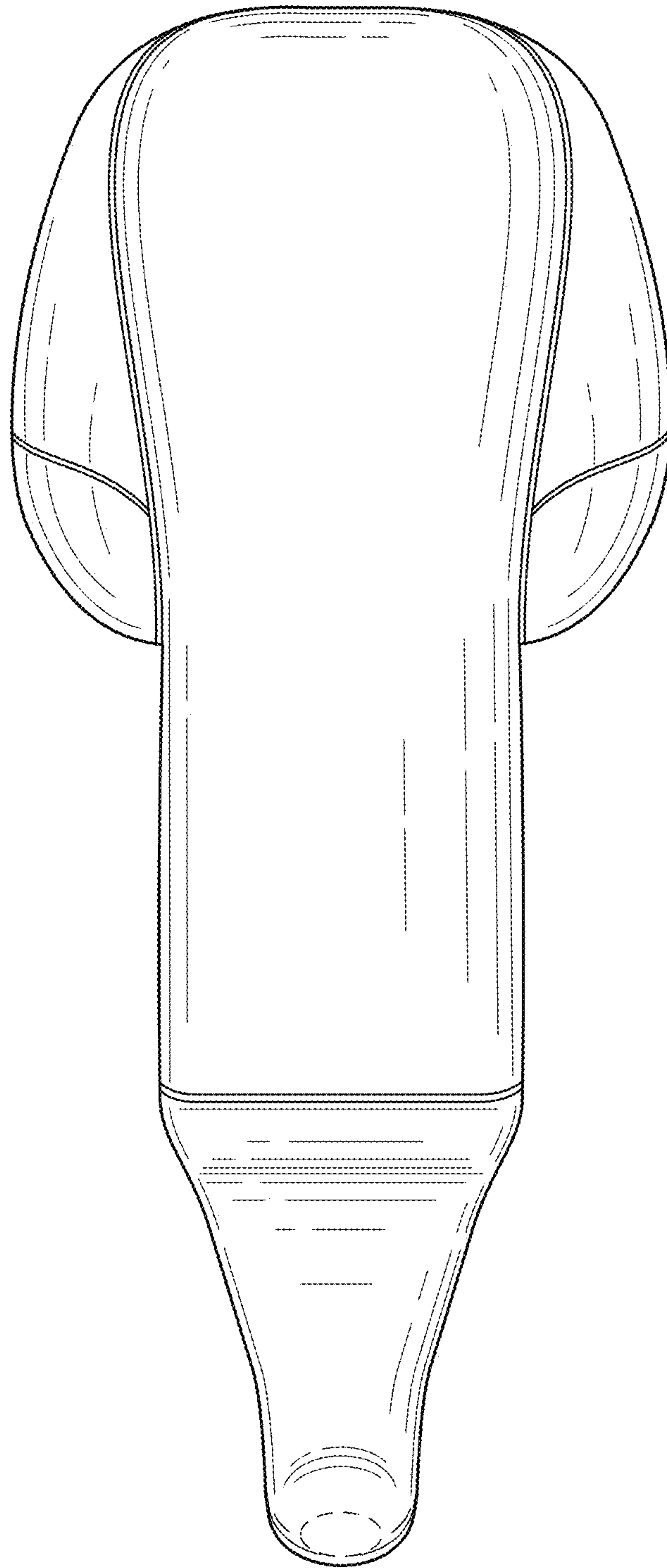


FIG. 3

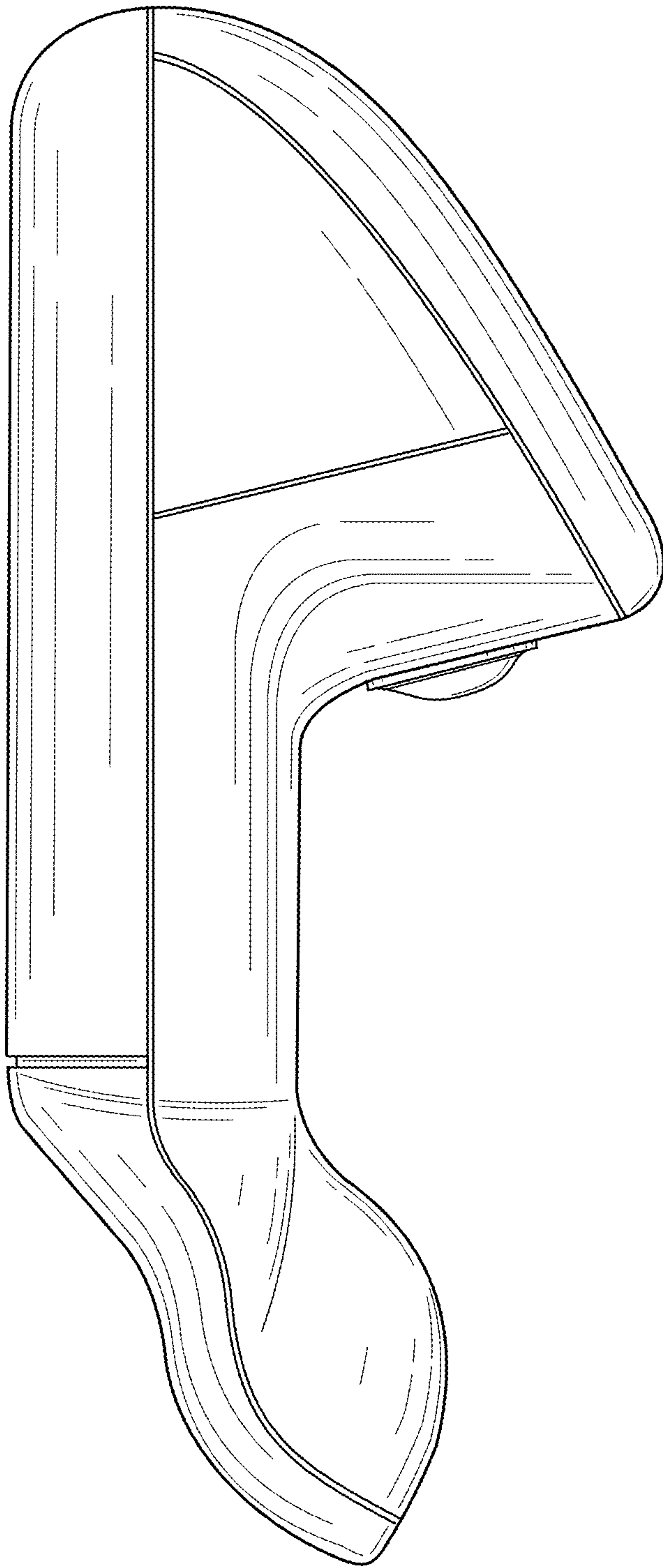


FIG. 4

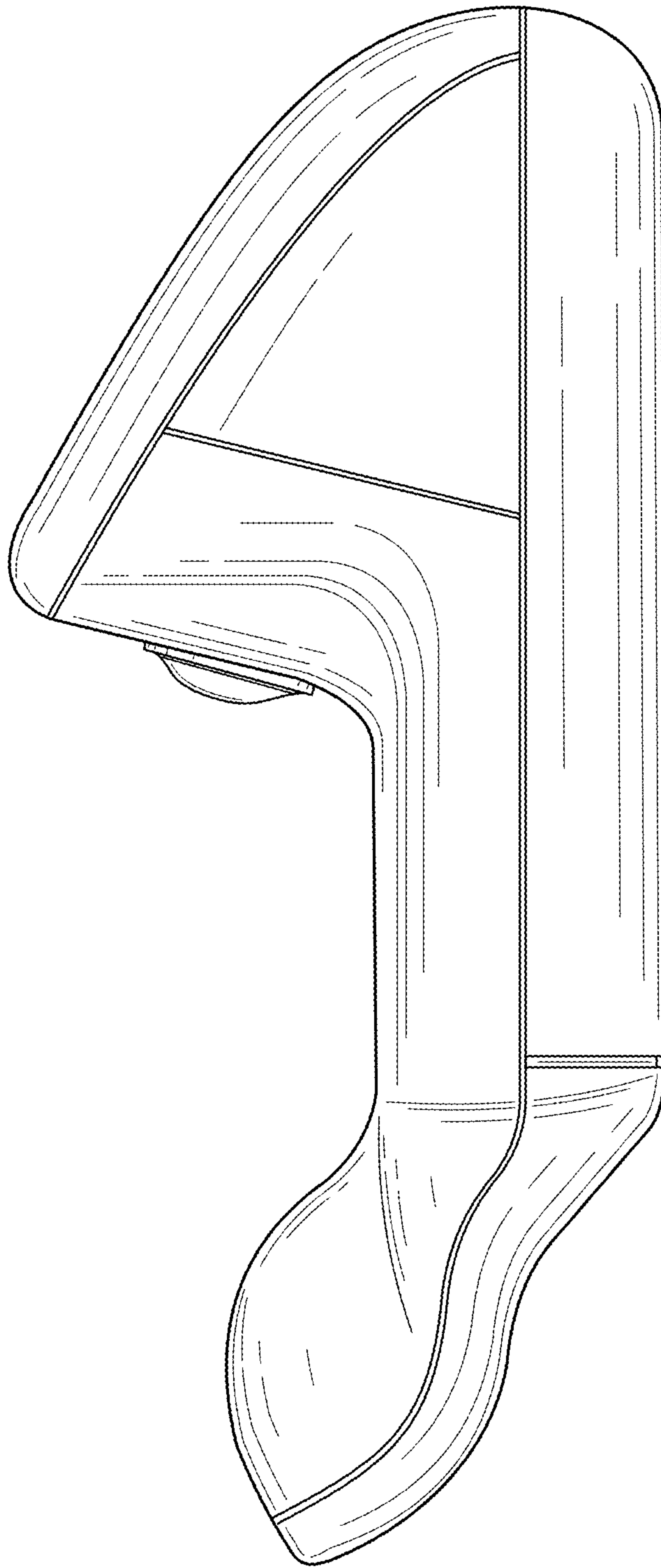


FIG. 5

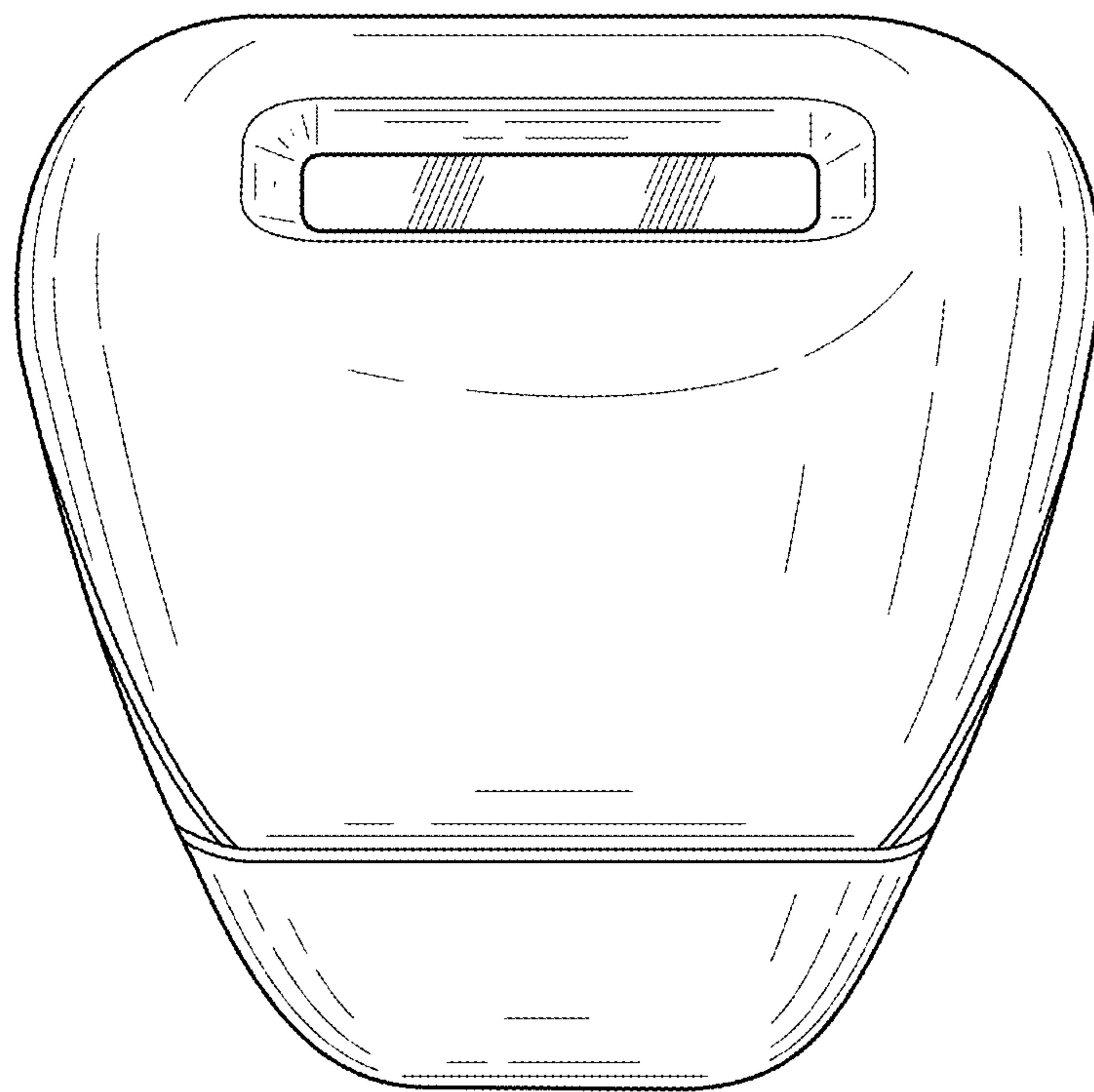


FIG. 6

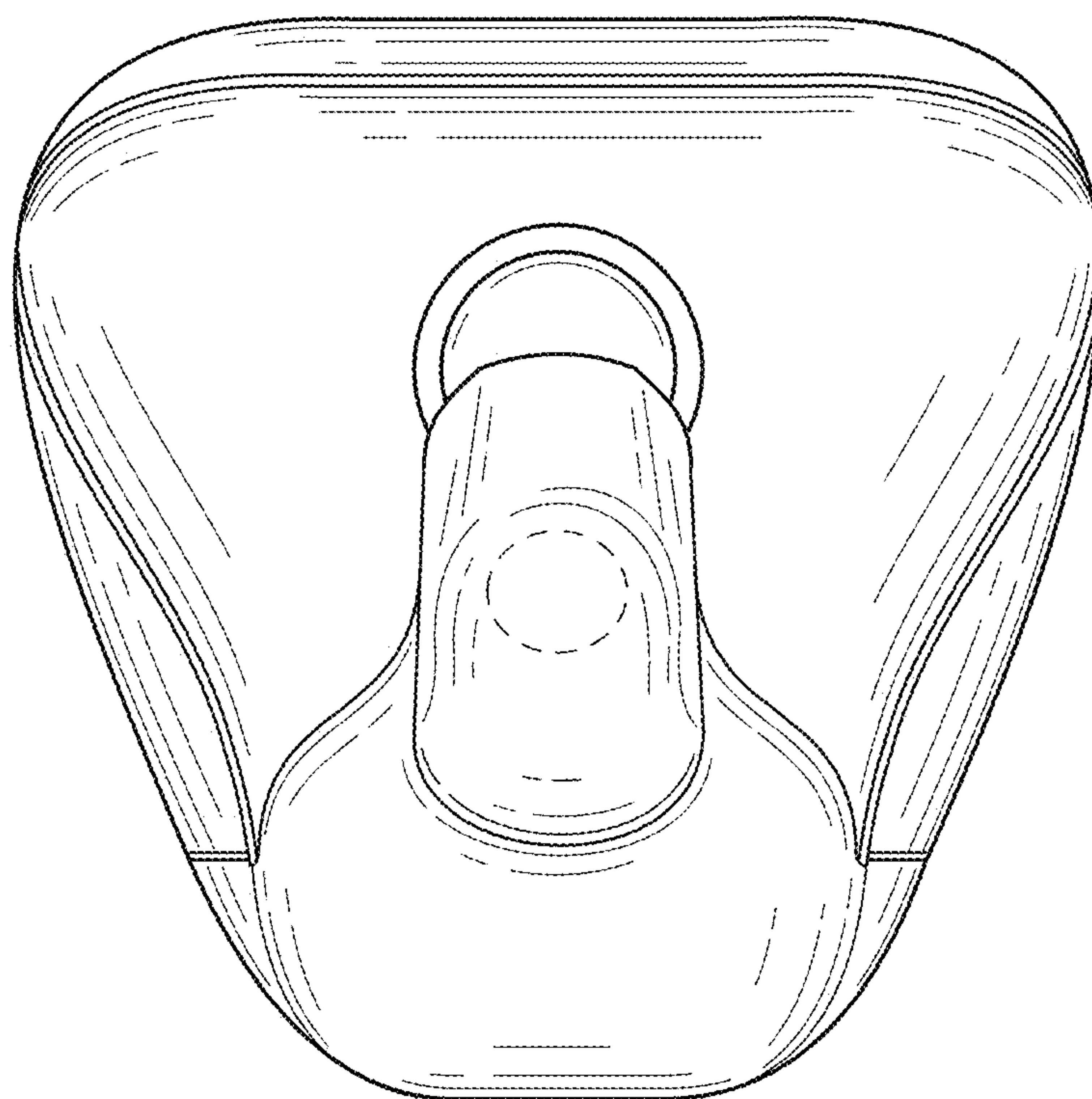


FIG. 7

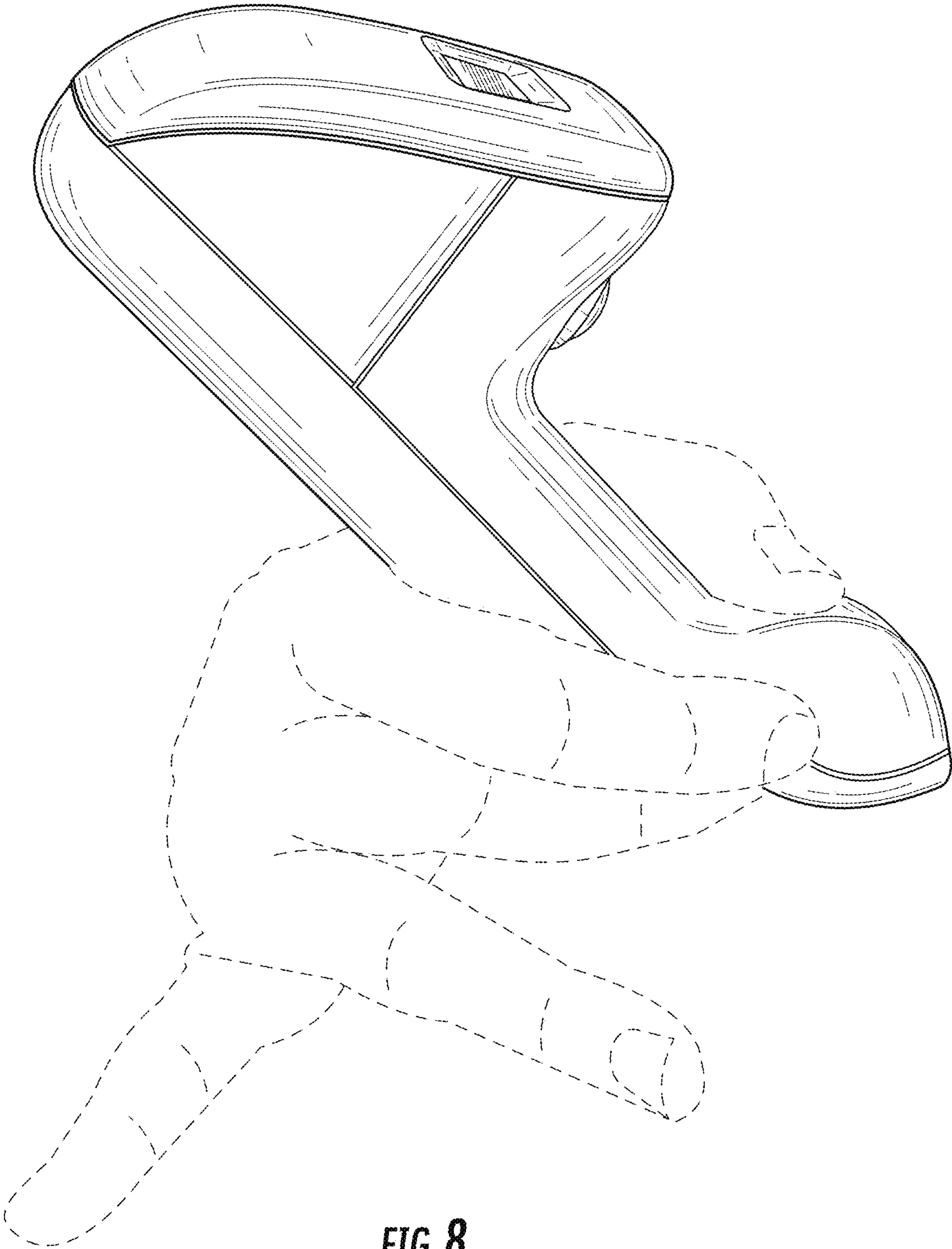


FIG. 8