



US00D870293S

(12) **United States Design Patent**
Yukita et al.

(10) **Patent No.:** **US D870,293 S**

(45) **Date of Patent:** **** Dec. 17, 2019**

(54) **SPACER FOR AN ORAL SLEEP APPLIANCE**

(71) Applicant: **Mitsui Chemicals, Inc.**, Tokyo (JP)

(72) Inventors: **Takashi Yukita**, Chiba (JP); **Haruka Sugita**, Tokyo (JP); **Akira Hasegawa**, Chiba (JP); **Hideyuki Nagai**, Iwakuni (JP); **Yasufumi Tsuchiya**, Funabashi (JP)

(73) Assignee: **mitsui chemicals, inc.**, Tokyo (JP)

(**) Term: **15 Years**

(21) Appl. No.: **29/615,598**

(22) Filed: **Aug. 30, 2017**

(51) **LOC (12) Cl.** **24-02**

(52) **U.S. Cl.**
USPC **D24/180**

(58) **Field of Classification Search**
USPC D24/180-182, 155-156, 152, 176, D24/127-128
CPC .. A61F 5/56; A61F 5/58; A61F 5/0006; A61F 2005/563; A61C 7/08; A61C 7/36; A61C 19/063

See application file for complete search history.

(56) **References Cited**

U.S. PATENT DOCUMENTS

3,293,748	A *	12/1966	Skinner	A61C 19/05 D24/181
5,611,355	A *	3/1997	Hilsen	A61F 5/566 128/848
6,408,852	B2 *	6/2002	Tielemans	A61F 5/56 128/848
6,983,752	B2 *	1/2006	Garabadian	A61F 5/566 128/848
7,520,281	B1 *	4/2009	Nahabedian	A61F 5/566 128/848

7,637,262	B2 *	12/2009	Bailey	A61F 5/566 128/848
7,954,496	B2 *	6/2011	Jansheski	A61F 5/566 128/848
D706,937	S *	6/2014	Suga	D24/181
8,875,713	B2 *	11/2014	Metz	A61F 5/566 128/848
D759,824	S *	6/2016	Luco	D24/180
9,545,332	B2 *	1/2017	Luco	A61F 5/566
D836,780	S *	12/2018	Tabacchi	D24/181
2008/0202530	A1 *	8/2008	Sims	A61C 7/36 128/845
2017/0000643	A1 *	1/2017	Gelb	A61F 5/566
2017/0014262	A1 *	1/2017	Dietz	A61F 5/566
2017/0202644	A1 *	7/2017	Ross	A61C 7/36
2017/0367793	A1 *	12/2017	Veis	A61F 5/566

* cited by examiner

Primary Examiner — Wan Laymon

(74) *Attorney, Agent, or Firm* — Brundidge & Stanger, P.C.

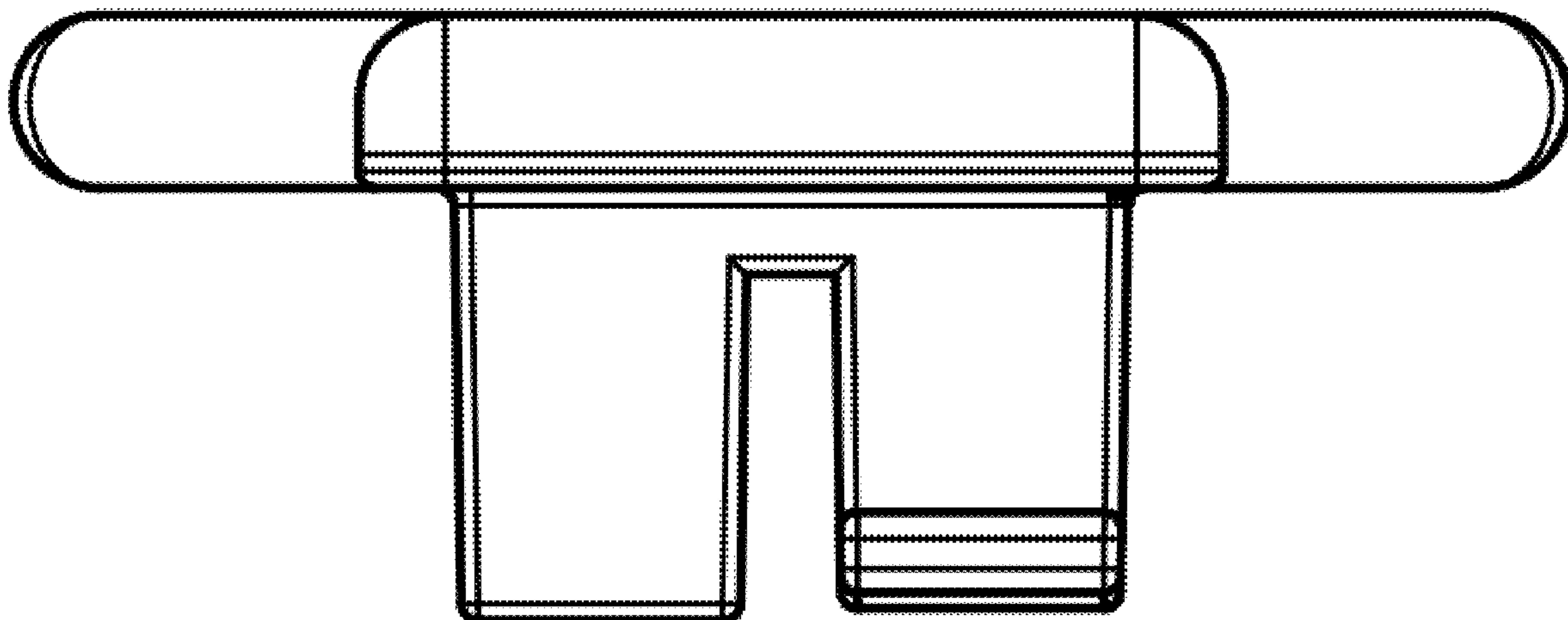
(57) **CLAIM**

The ornamental design for spacer for an oral sleep appliance, as shown and described.

DESCRIPTION

FIG. 1 is a top view of spacer showing our new design; FIG. 2 is a bottom view of spacer thereof; FIG. 3 is a front view of spacer thereof; FIG. 4 is a rear view of spacer thereof; FIG. 5 is a right side view of spacer thereof; and FIG. 6 is a left side view of spacer thereof. FIG. 7 is a top view of spacer showing our new design; FIG. 8 is a bottom view of spacer thereof; FIG. 9 is a front view of spacer thereof; FIG. 10 is a rear view of spacer thereof; FIG. 11 is a right side view of spacer thereof; and, FIG. 12 is a left side view of spacer thereof.

1 Claim, 6 Drawing Sheets



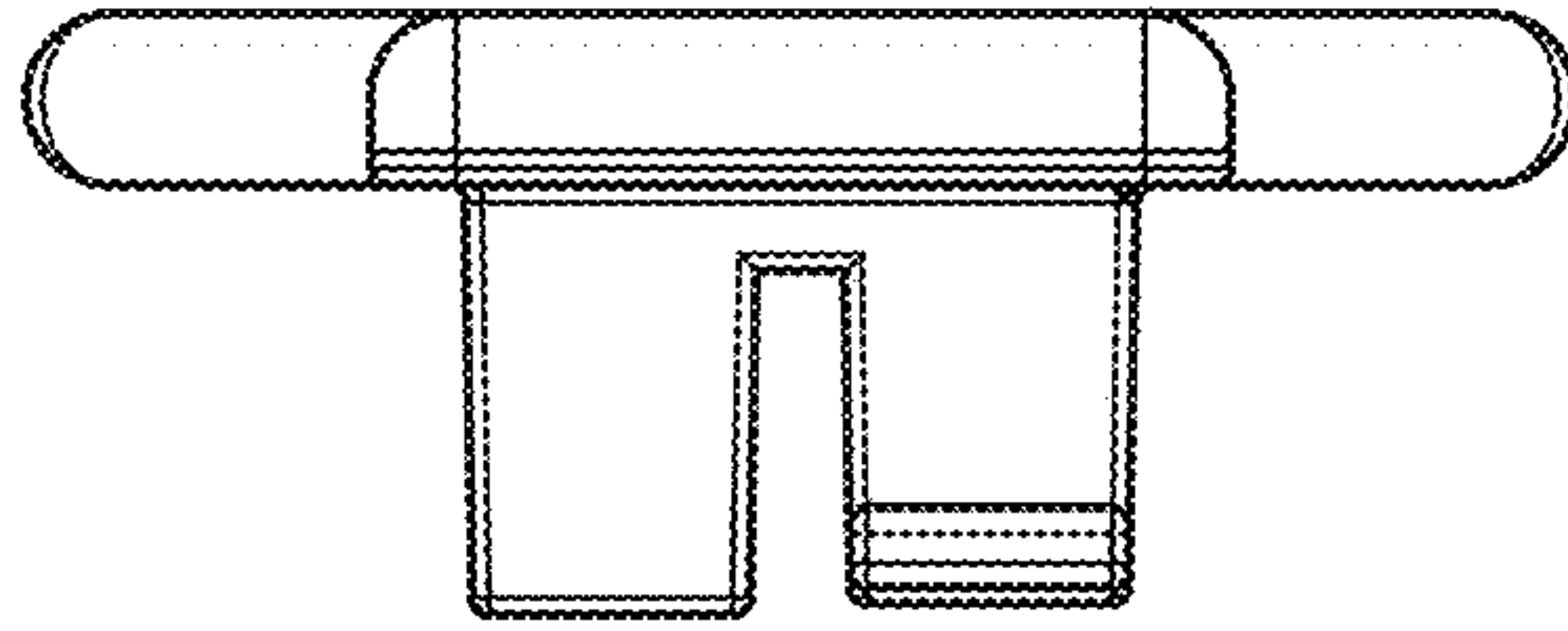


FIG. 1

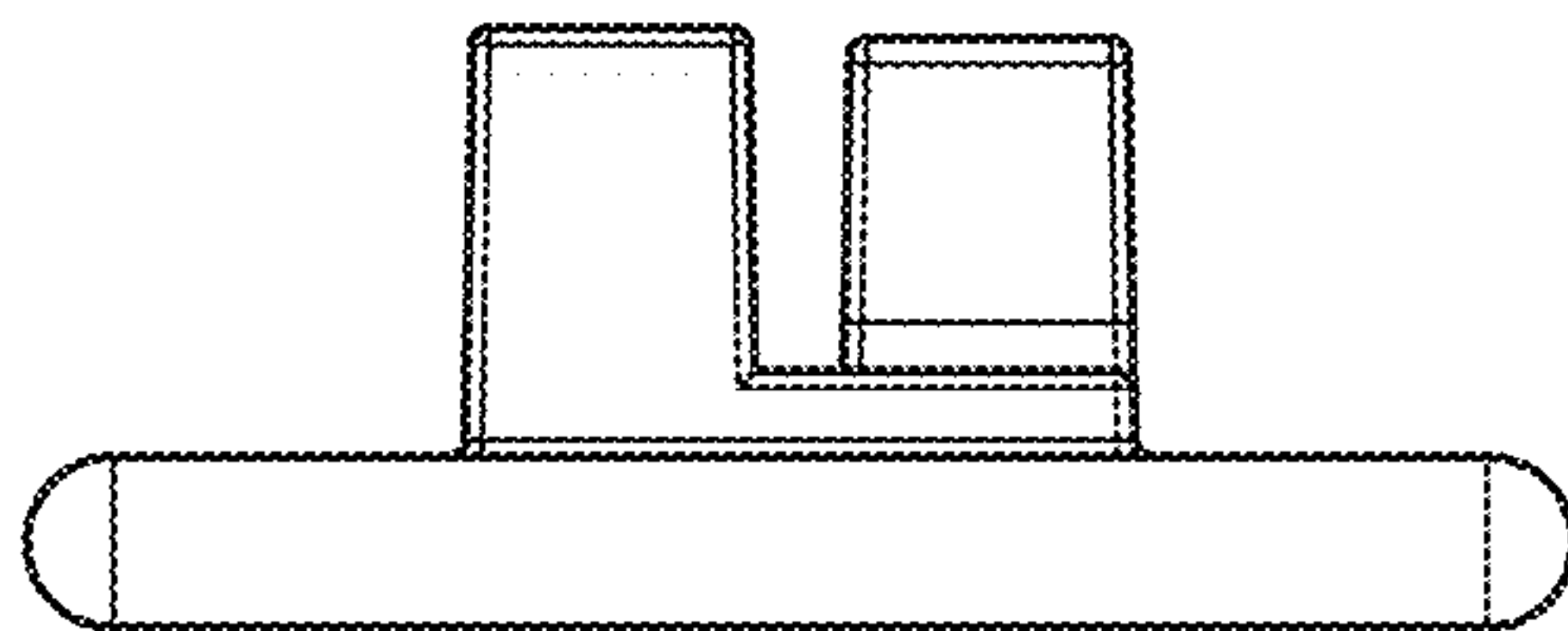


FIG. 2

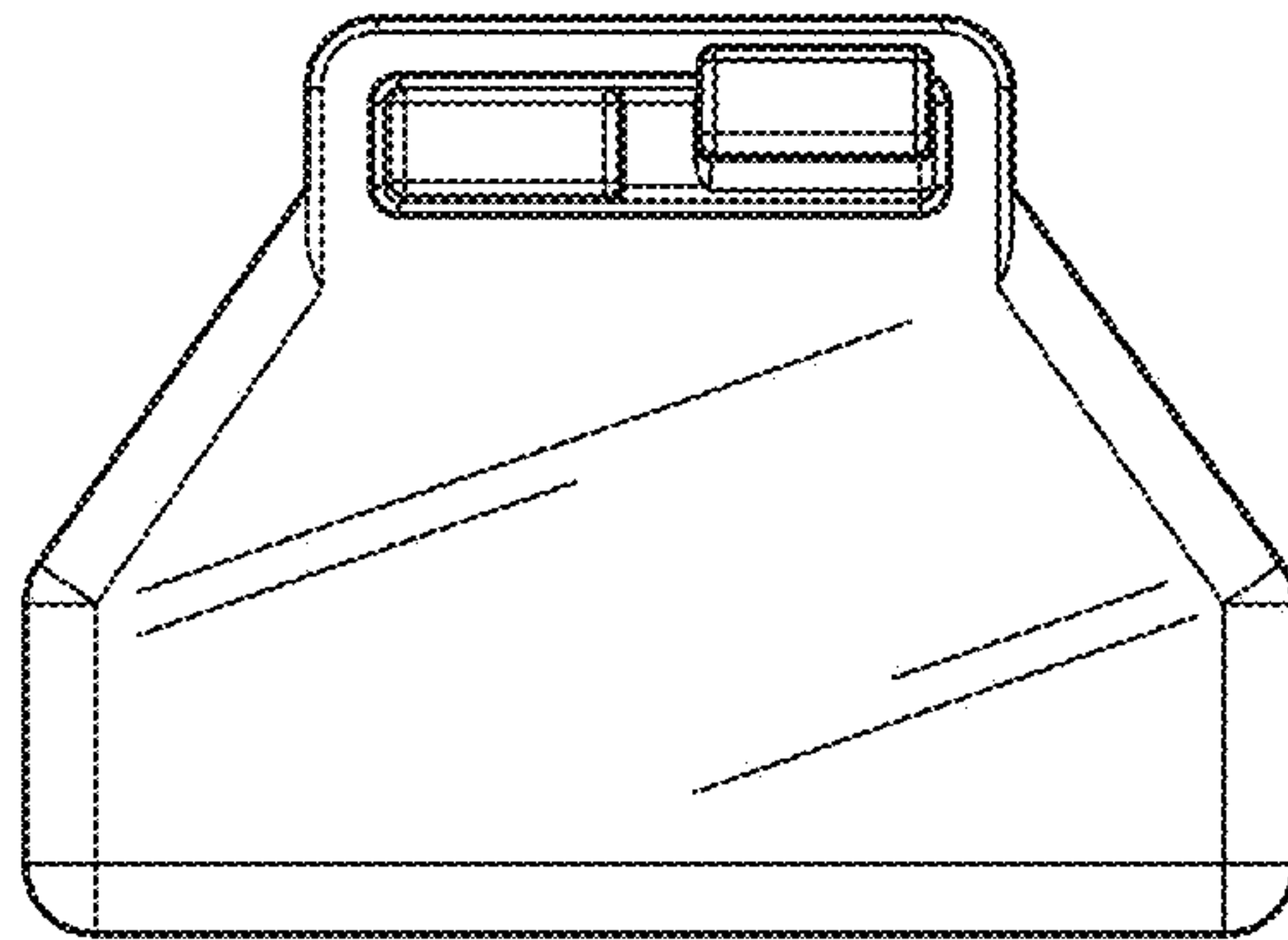


FIG. 3

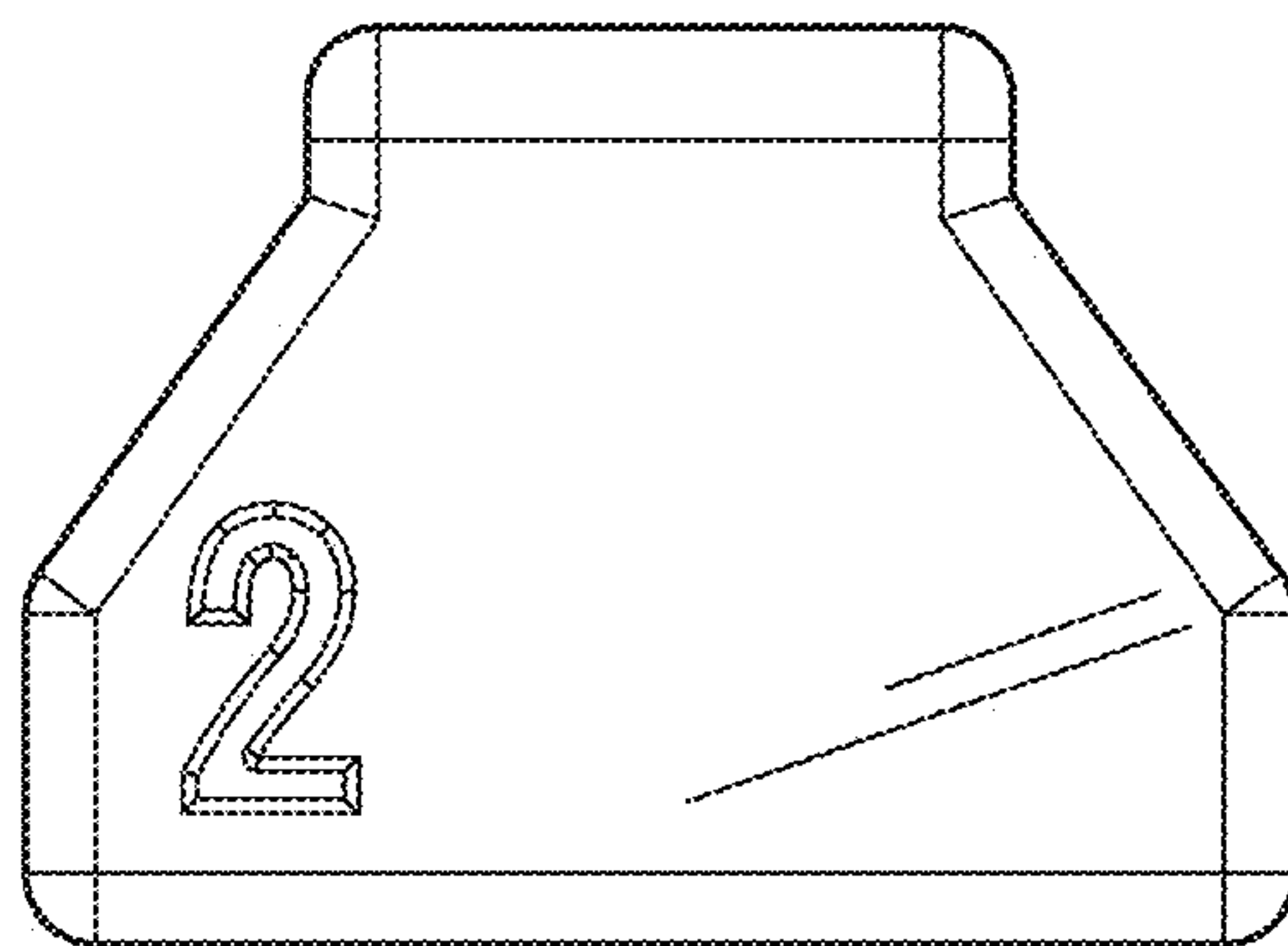


FIG. 4

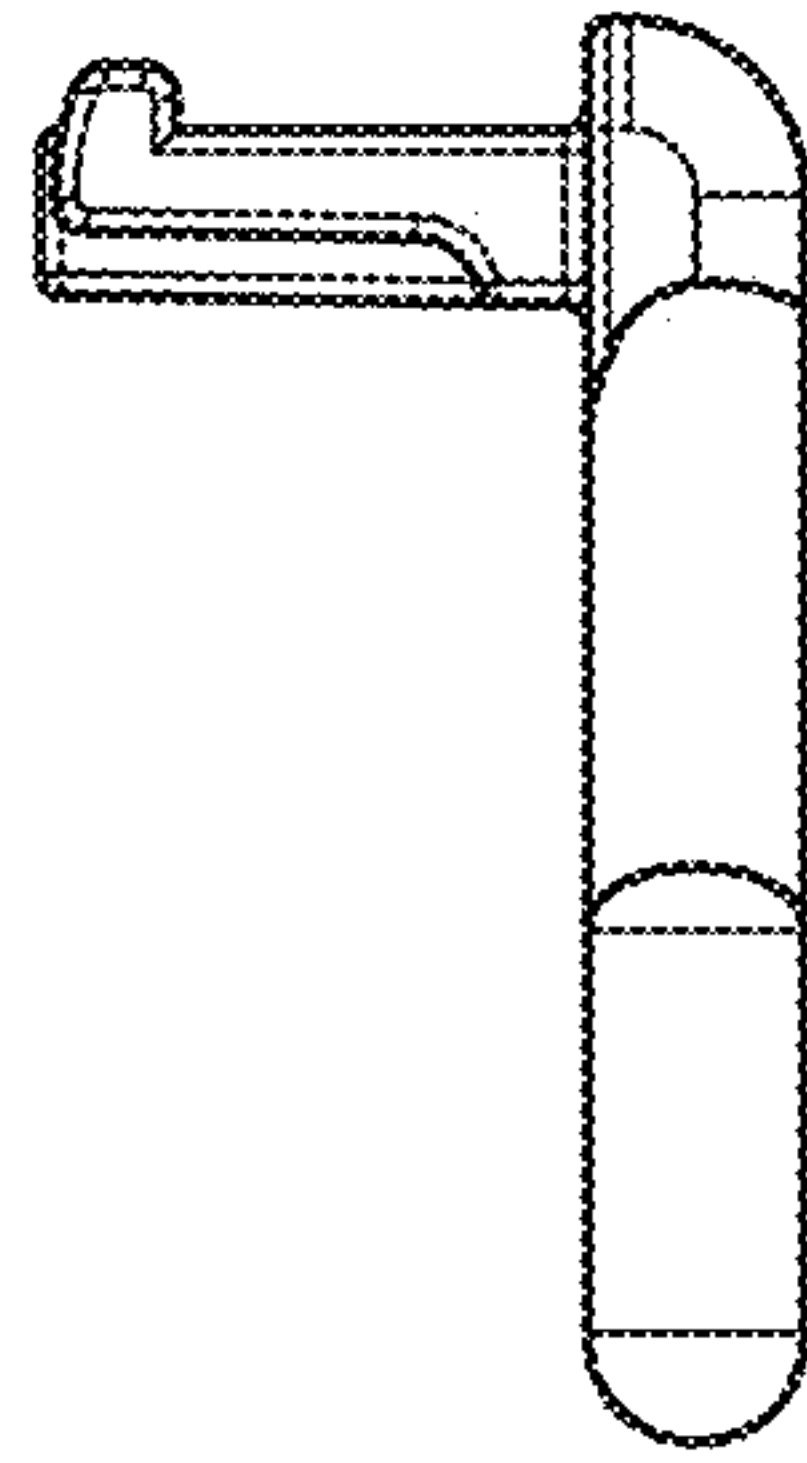


FIG. 5

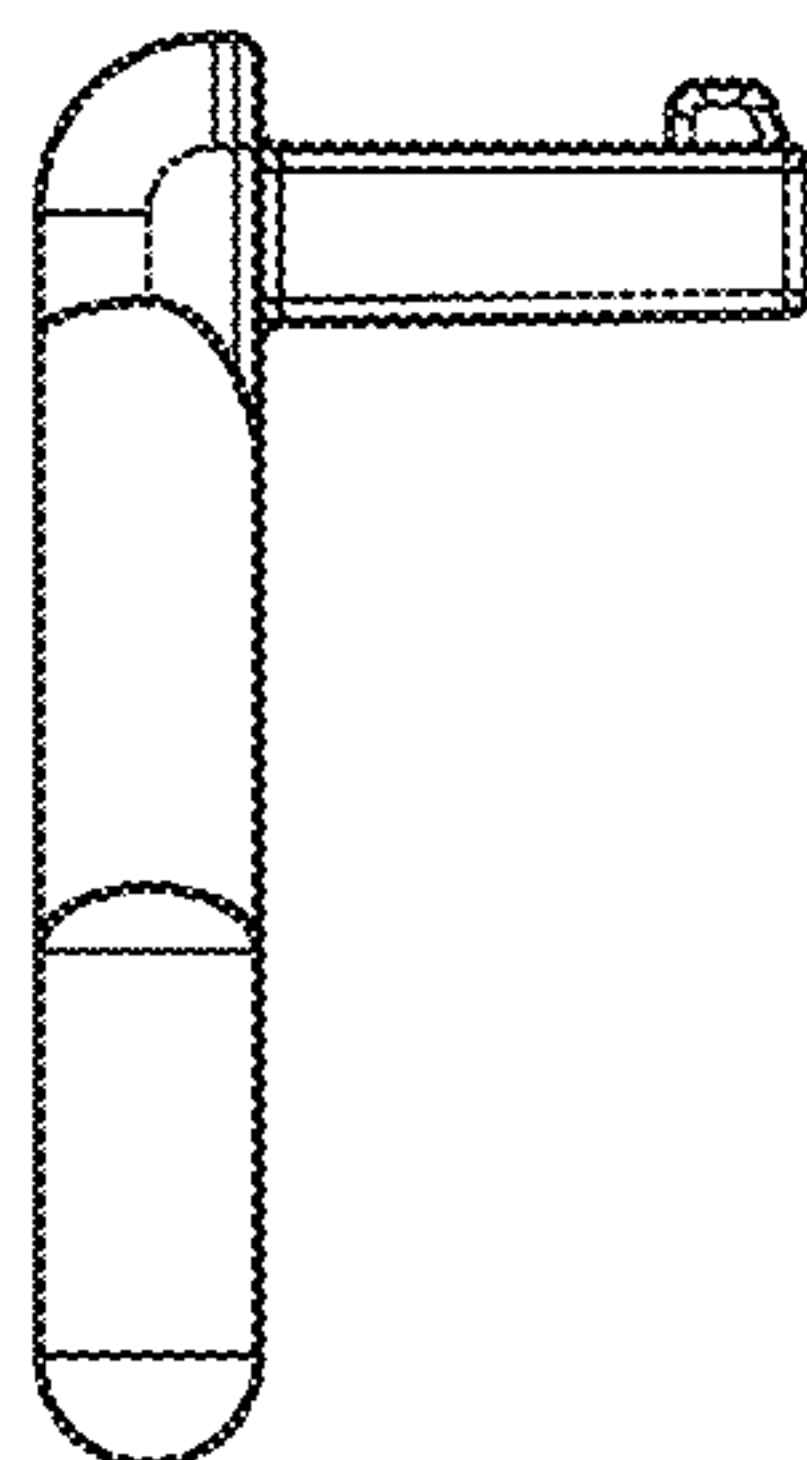


FIG. 6

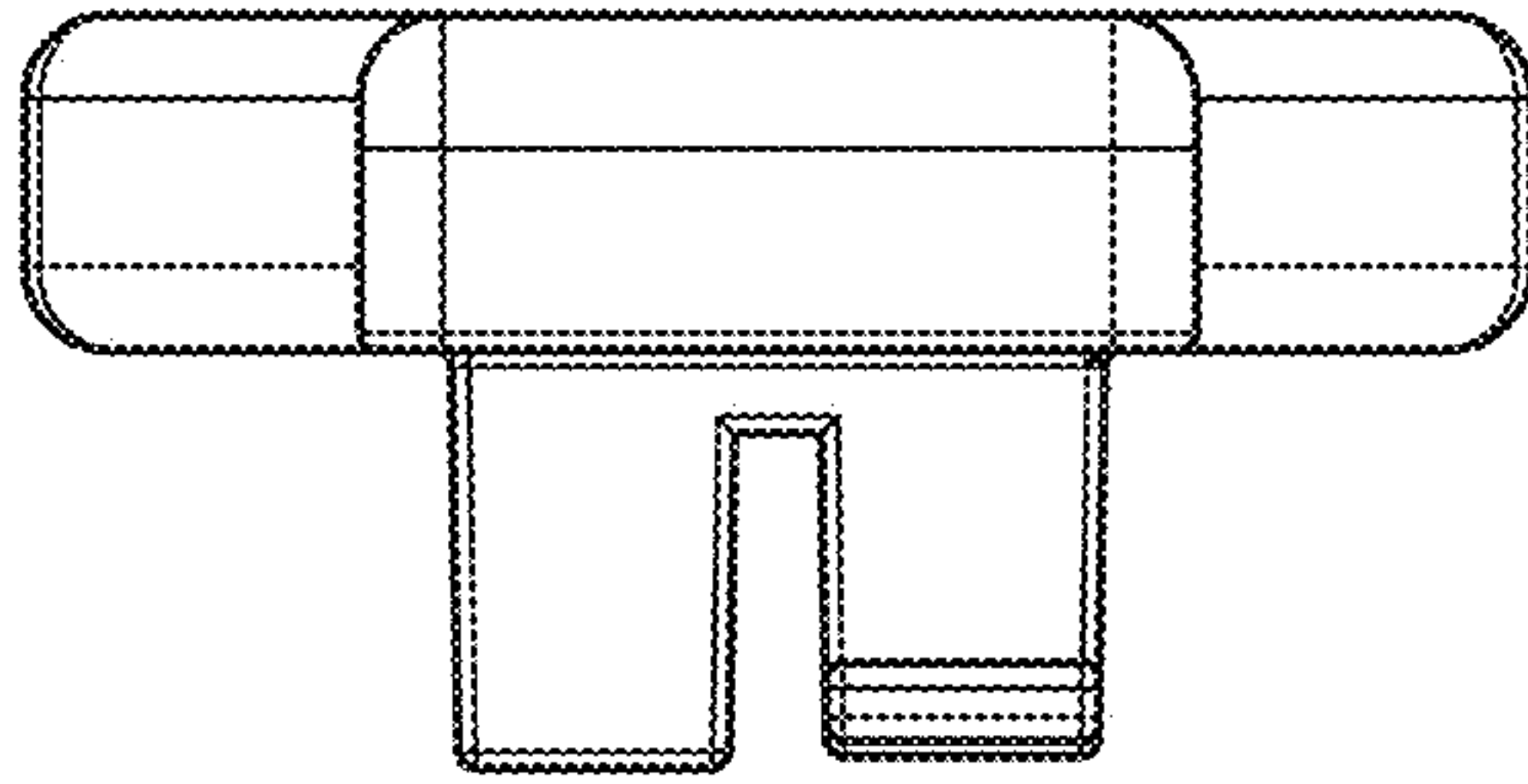


FIG. 7

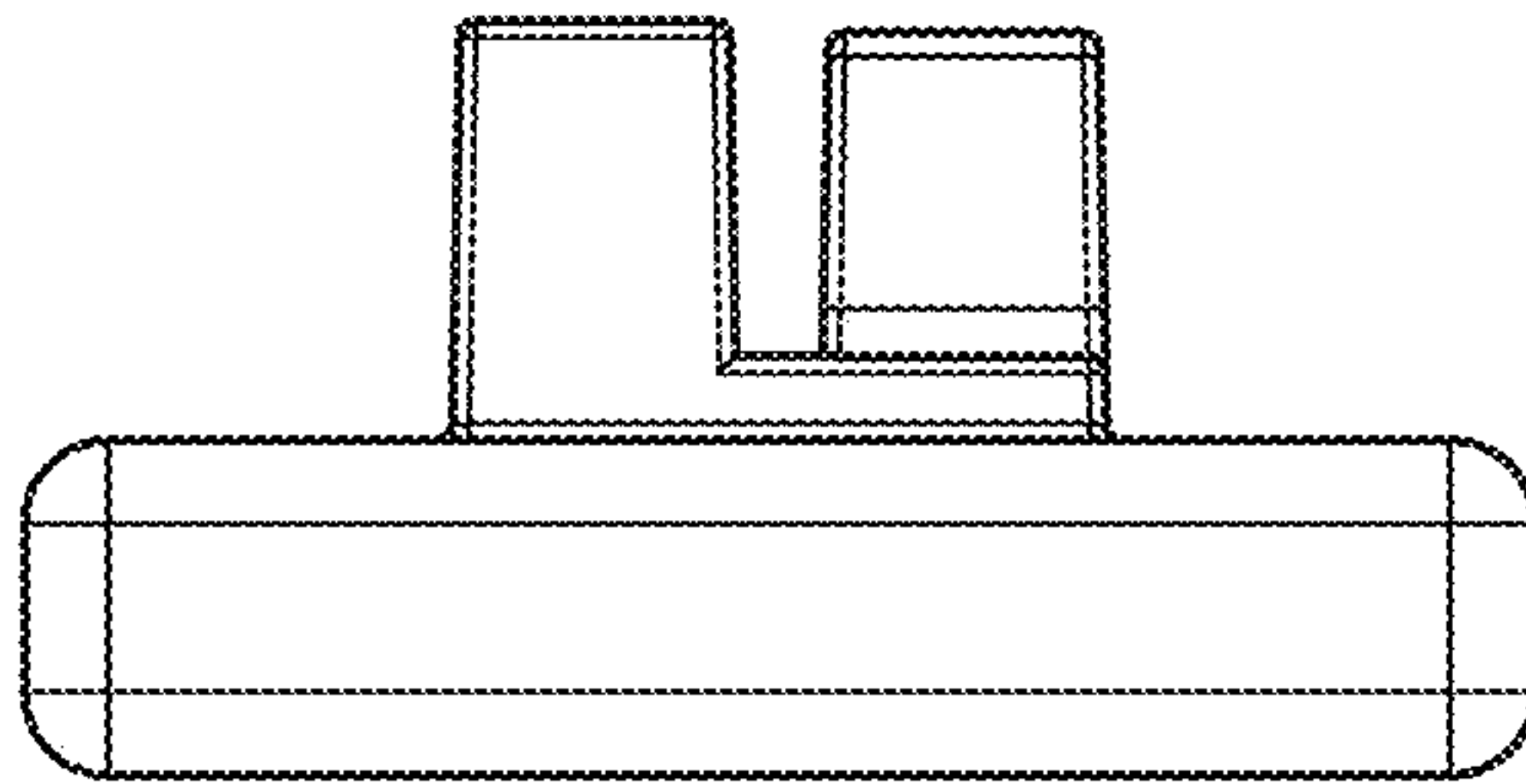


FIG. 8

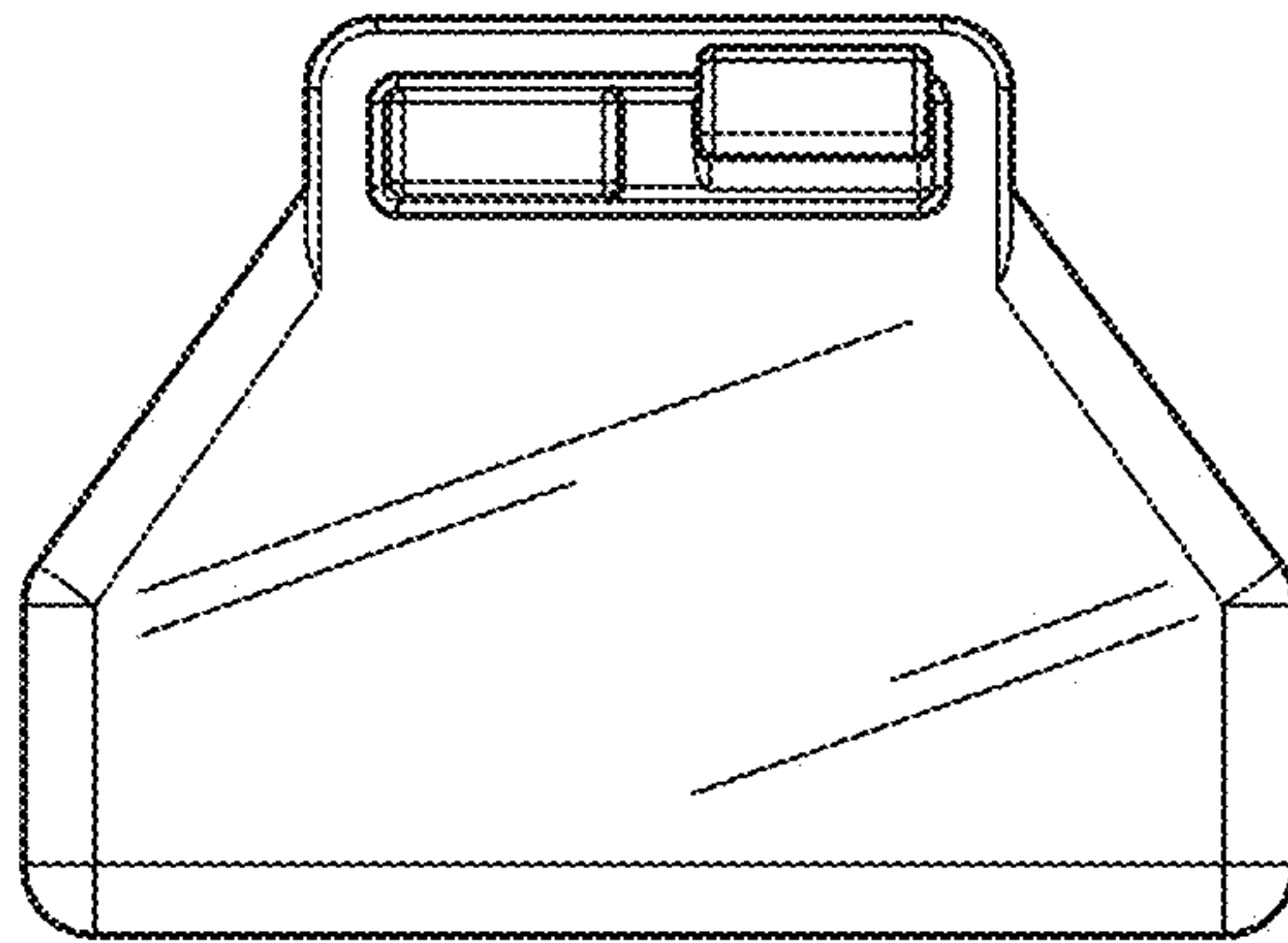


FIG. 9

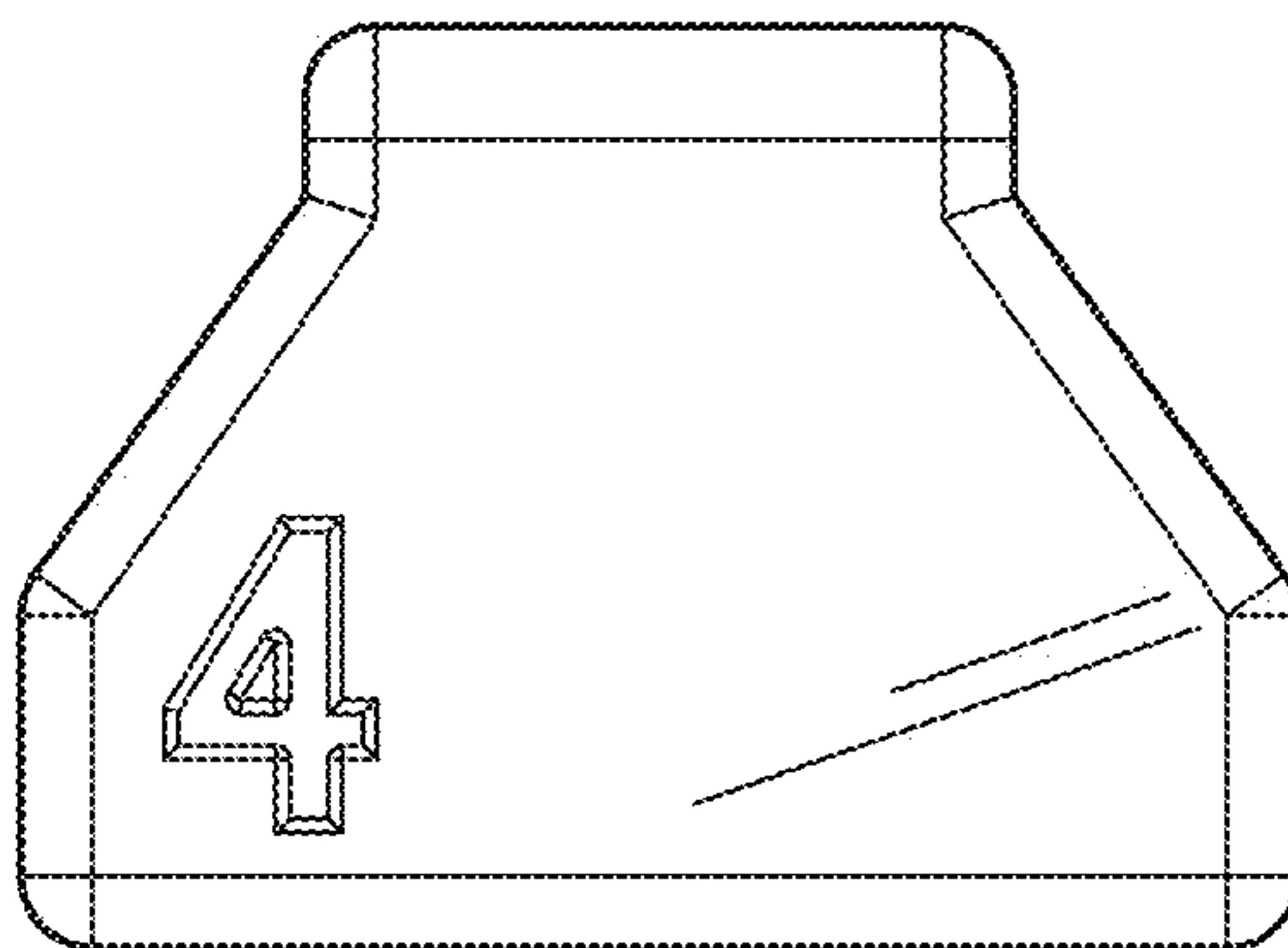


FIG. 10

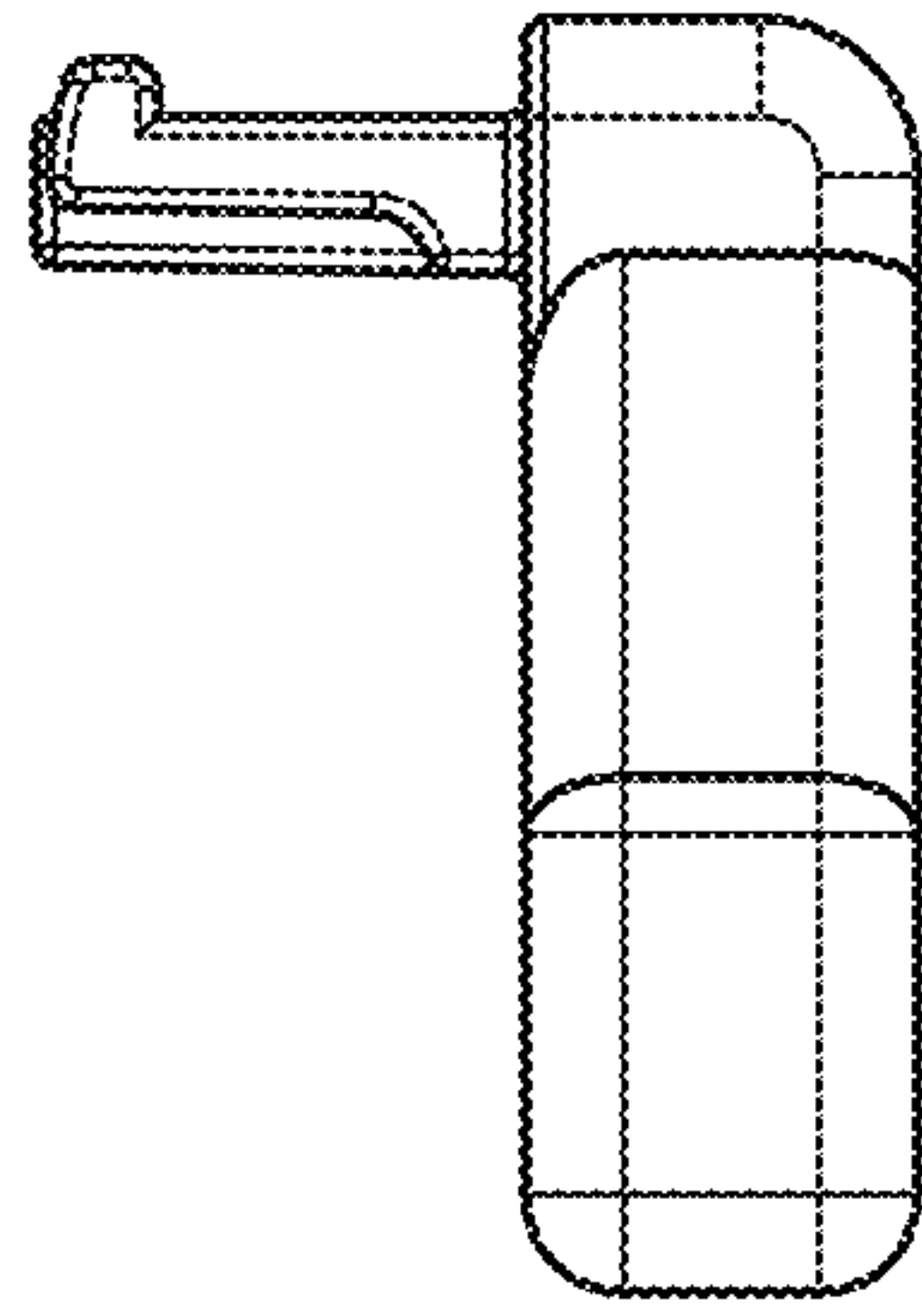


FIG. 11

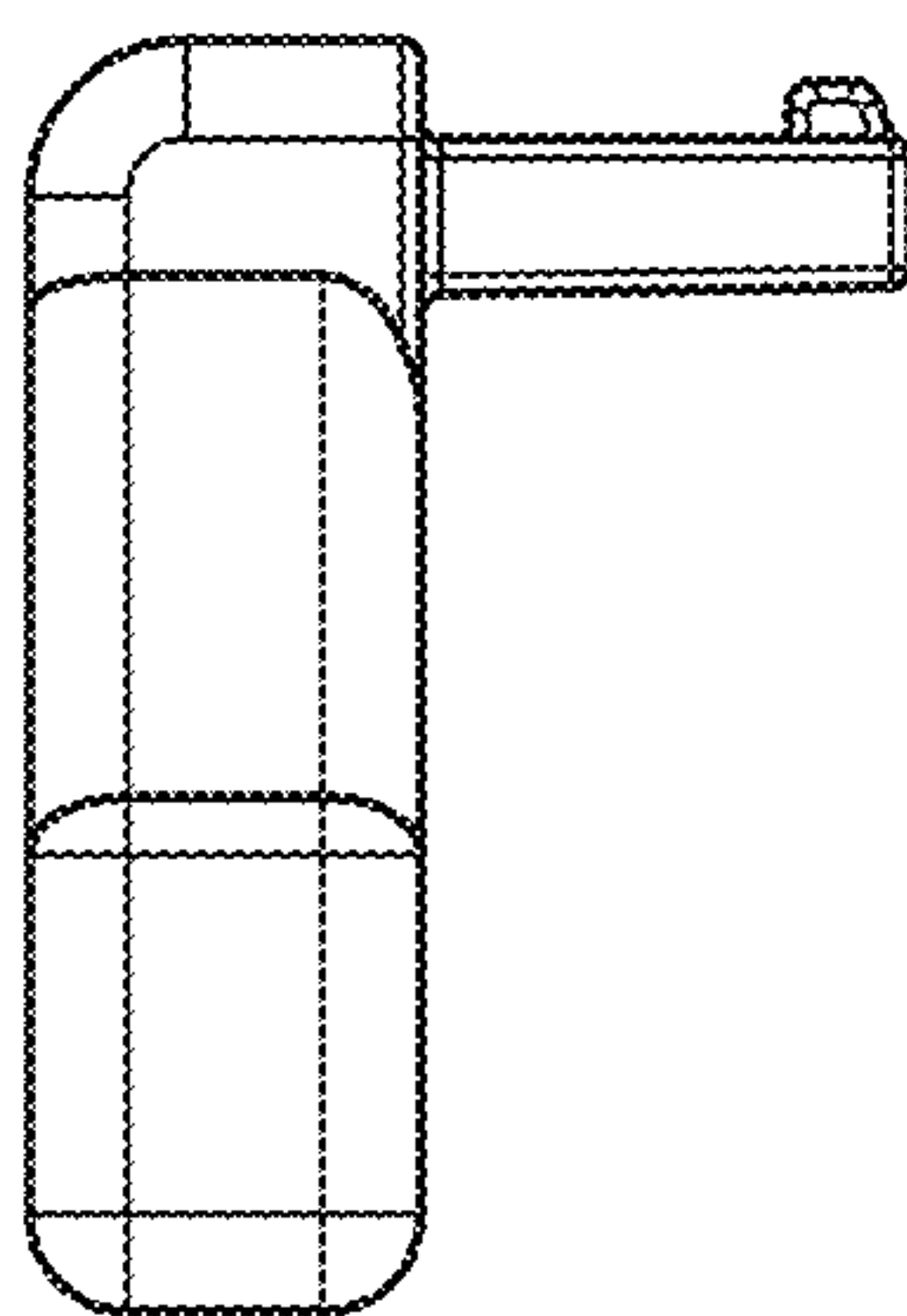


FIG. 12