



US00D870290S

(12) **United States Design Patent** (10) **Patent No.:** **US D870,290 S**
Benson (45) **Date of Patent:** **** Dec. 17, 2019**

- (54) **SPIROMETER AIRWAY** 5,137,026 A * 8/1992 Waterson A61B 5/087
600/538
- (71) Applicant: **Stephen Benson**, Minneapolis, MN (US) D333,004 S 2/1993 McNamee et al.
D335,343 S 5/1993 Jones et al.
D342,135 S 12/1993 Goldberger et al.
D370,065 S 5/1996 Squillante et al.
- (72) Inventor: **Stephen Benson**, Minneapolis, MN (US) 5,789,660 A 8/1998 Kofoed et al.
5,789,669 A 8/1998 Flaum
D411,010 S 6/1999 Harbrecht et al.
D413,825 S 9/1999 Storsved
- (73) Assignee: **Benson Medical Instruments Company**, Minneapolis, MN (US) (Continued)

- (**) Term: **15 Years**
- (21) Appl. No.: **29/620,384**
- (22) Filed: **Nov. 20, 2015**

Primary Examiner — Anhdao Doan
(74) *Attorney, Agent, or Firm* — Patterson Thuente Pedersen, P.A.

(57) **CLAIM**

The ornamental design for a spirometer airway, as shown and described.

Related U.S. Application Data

- (63) Continuation of application No. 29/473,582, filed on Nov. 24, 2013, now Pat. No. Des. 744,655, which is a continuation of application No. 29/420,871, filed on May 14, 2012, now Pat. No. Des. 694,410, which is a continuation of application No. 29/388,929, filed on Apr. 4, 2011, now Pat. No. Des. 659,835.

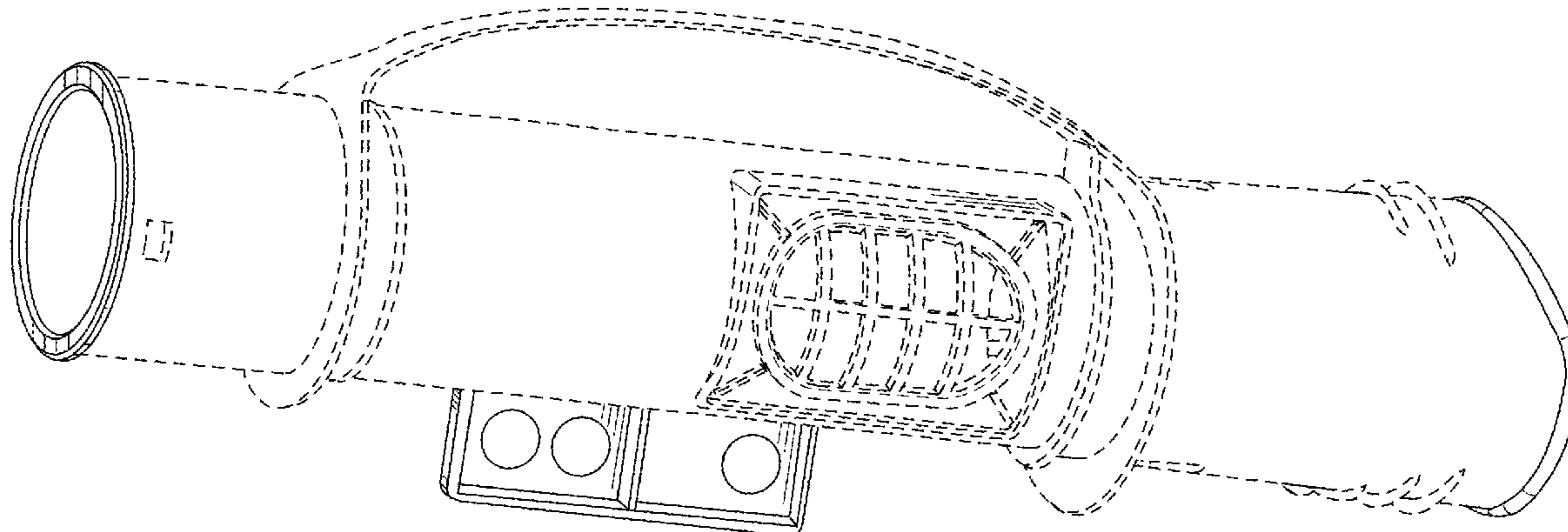
- (51) **LOC (12) Cl.** **24-01**
- (52) **U.S. Cl.**
USPC **D24/164**
- (58) **Field of Classification Search**
USPC D24/164, 110, 110.5; 128/204.18, 128/205.24; 73/23.3; 600/529, 532, 533, 600/538, 540, 541, 542; 422/84; D10/81
CPC A61B 5/08; A61B 5/087
See application file for complete search history.

DESCRIPTION

FIG. 1 is a perspective view of a spirometer airway according to the invention;
 FIG. 2 is a right side elevation view of the spirometer airway of FIG. 1;
 FIG. 3 is a left side elevation view of the spirometer airway of FIG. 1;
 FIG. 4 is a rear elevation view of the spirometer airway of FIG. 1;
 FIG. 5 is a front elevation view of the spirometer airway of FIG. 1;
 FIG. 6 is a top plan view of the spirometer airway of FIG. 1; and,
 FIG. 7 is a bottom plan view of the spirometer airway of FIG. 1.
 The broken lines immediately adjacent the claimed areas represent the bounds of the claim, while all other broken lines are directed to environment and are for illustrative purposes only; the broken lines form no part of the claimed design.

- (56) **References Cited**
U.S. PATENT DOCUMENTS
D254,443 S 3/1980 Adams
D266,695 S 10/1982 Trammll et al.
D281,011 S 10/1985 Helfer
D325,634 S 4/1992 Sweeney, Jr.

1 Claim, 4 Drawing Sheets



(56)

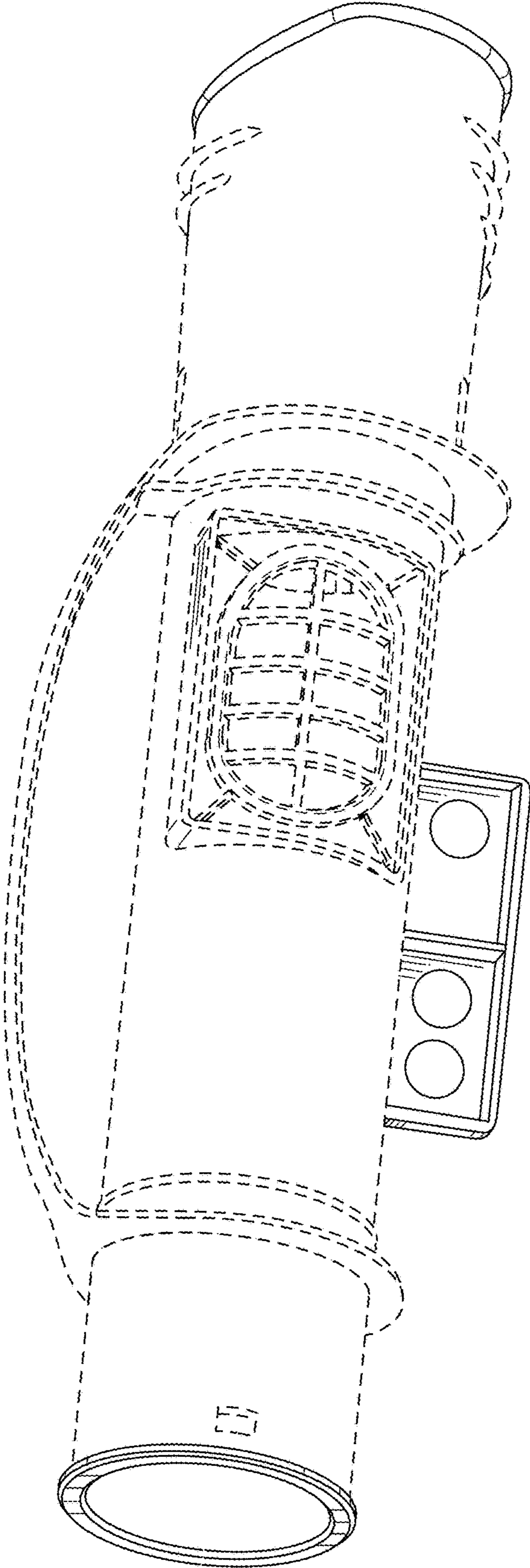
References Cited

U.S. PATENT DOCUMENTS

5,997,483 A * 12/1999 Johnson A61B 5/0876
600/529
D541,419 S 4/2007 Jones, Jr.
D542,913 S 5/2007 Aspinall et al.
D556,908 S 12/2007 Jones et al.
D557,788 S * 12/2007 Eloranta 24/110
D574,951 S * 8/2008 Reusch D24/110
D583,929 S 12/2008 Reusch
D585,555 S 1/2009 Miller
D659,835 S 5/2012 Benson
D692,140 S 10/2013 Alvino
D692,555 S 10/2013 Maksym et al.
D694,410 S 11/2013 Benson
D744,636 S * 12/2015 Sanders D24/110.5
D744,655 S 12/2015 Benson
2009/0101151 A1 * 4/2009 Russell A62B 23/00
128/206.17
2012/0136271 A1 * 5/2012 Shavit A61B 5/087
660/538

* cited by examiner

Fig. 1



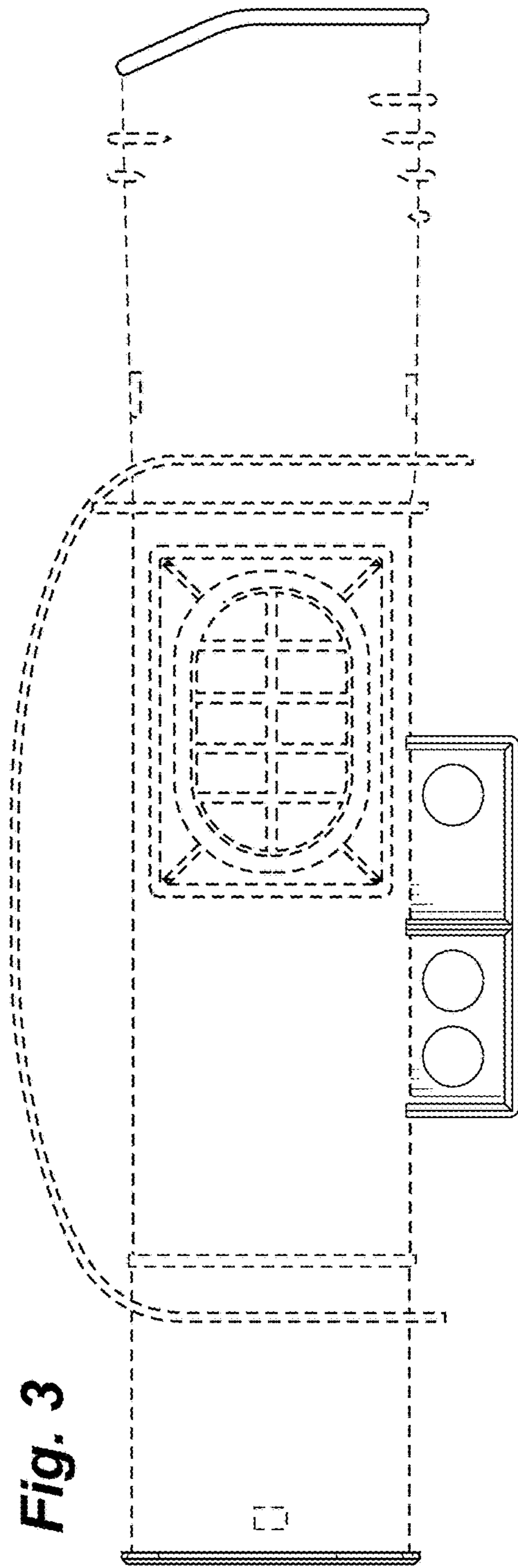
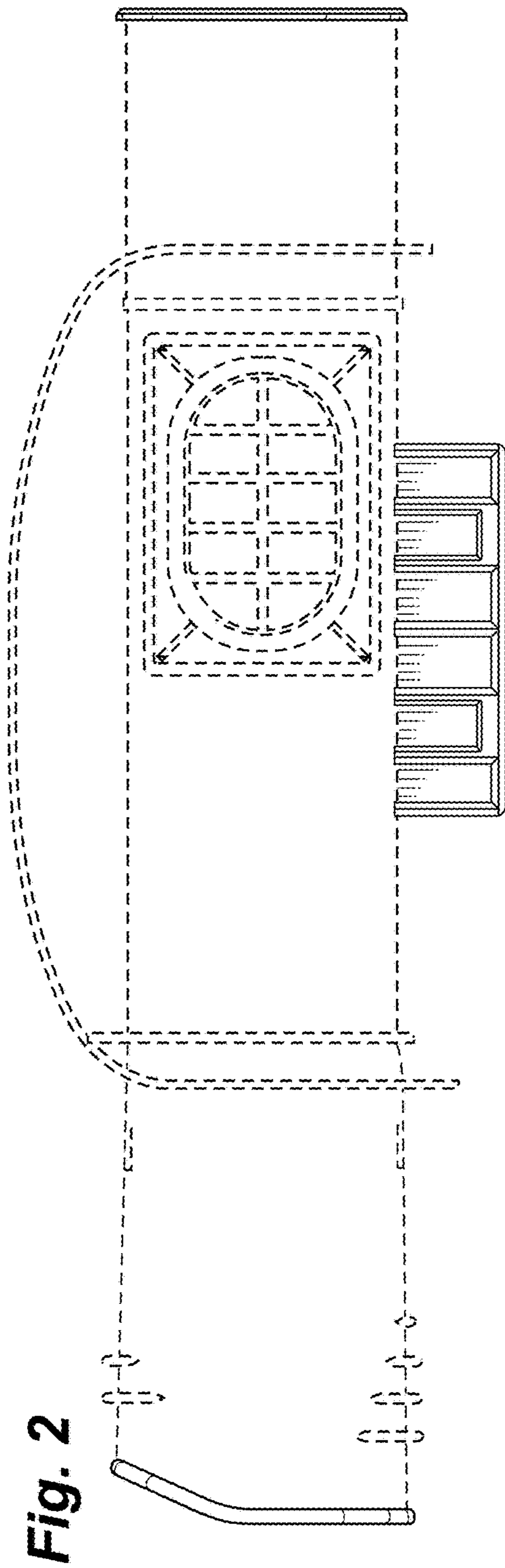


Fig. 4

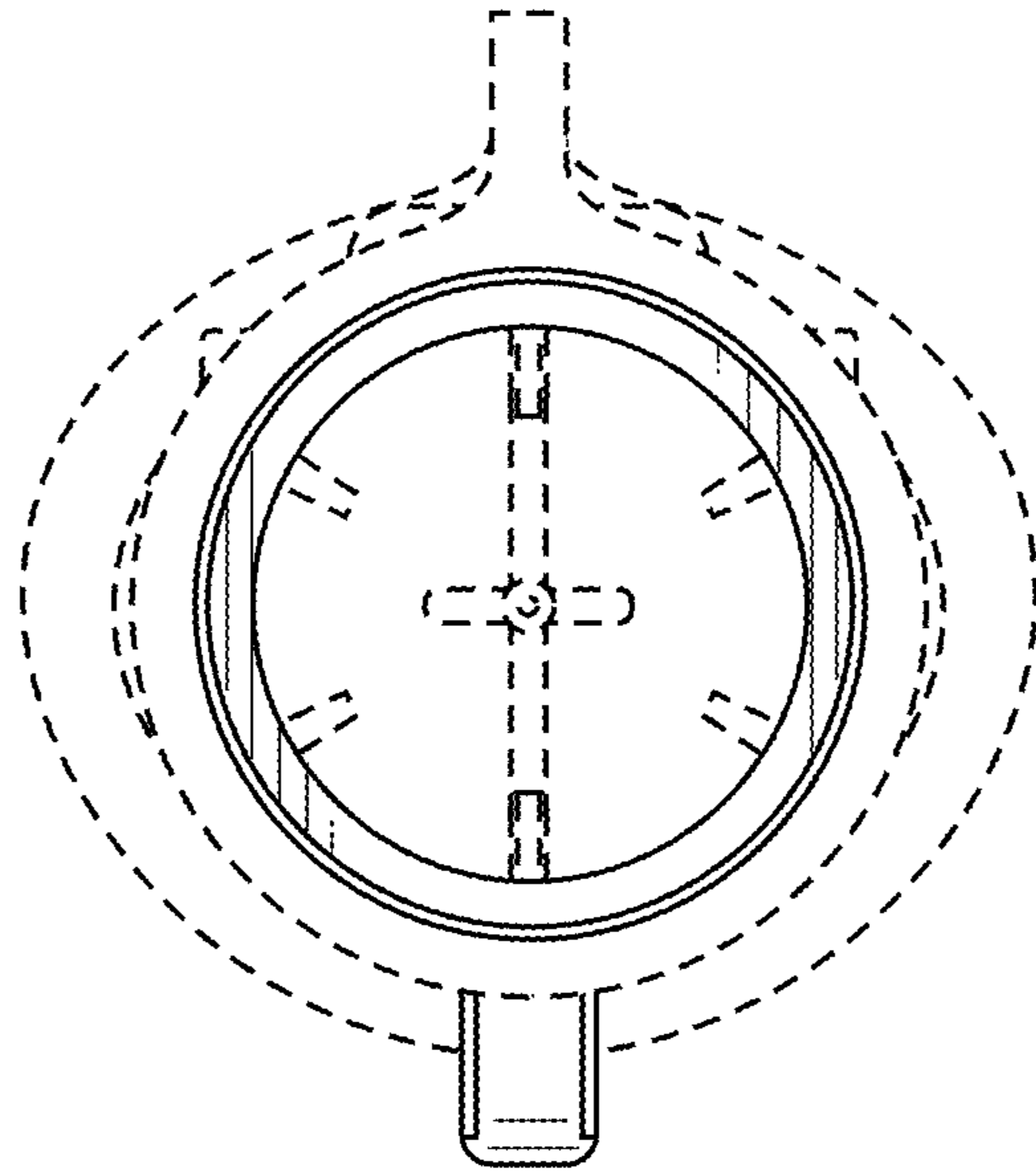


Fig. 5

