

US00D870286S

(12) **United States Design Patent**  
**Guyon**

(10) **Patent No.:** **US D870,286 S**

(45) **Date of Patent:** **\*\* Dec. 17, 2019**

(54) **PROSTHESES**

(71) Applicant: **PROTEOR**, Saint-Apollinaire (FR)

(72) Inventor: **Jerome Guyon**, Labergement les Seurre (FR)

(73) Assignee: **PROTEOR**, Saint-Apollinaire (FR)

(\*\*) Term: **15 Years**

(21) Appl. No.: **29/653,456**

(22) Filed: **Jun. 15, 2018**

(30) **Foreign Application Priority Data**

Jan. 24, 2018 (EM) ..... 004678605

(51) **LOC (12) Cl.** ..... **24-03**

(52) **U.S. Cl.**  
USPC ..... **D24/155**

(58) **Field of Classification Search**  
USPC ..... D24/155

CPC ..... A61F 2/80; A61F 2/60; A61F 2/76; A61F 2/68; A61F 2/64; A61F 2220/0025; A61F 2220/41; A61F 2002/607; A61F 2002/802; A61F 2002/5007

See application file for complete search history.

(56) **References Cited**

**U.S. PATENT DOCUMENTS**

3,098,239 A \* 7/1963 Nader ..... A61F 2/66  
623/55  
D383,542 S \* 9/1997 Wellershaus ..... D24/155

D446,304 S \* 8/2001 Sawatzki ..... D24/155  
D501,925 S \* 2/2005 Bedard ..... D24/155  
D647,617 S \* 10/2011 Mille ..... D24/155  
D721,810 S \* 1/2015 Sigurdsson ..... D24/155  
D748,790 S \* 2/2016 Kampas ..... D24/155  
D748,791 S \* 2/2016 Kampas ..... D24/155  
D795,433 S \* 8/2017 Clausen ..... D24/155  
D799,698 S \* 10/2017 Radau ..... D24/155  
D815,283 S \* 4/2018 Noack ..... D24/155  
D819,820 S \* 6/2018 Radau ..... D24/155  
D825,761 S \* 8/2018 Radau ..... D24/155

\* cited by examiner

*Primary Examiner* — Charles D Hanson

(74) *Attorney, Agent, or Firm* — Patricia Wilczynski Brozek; Pokalsky Wilczynski Brozek LLP

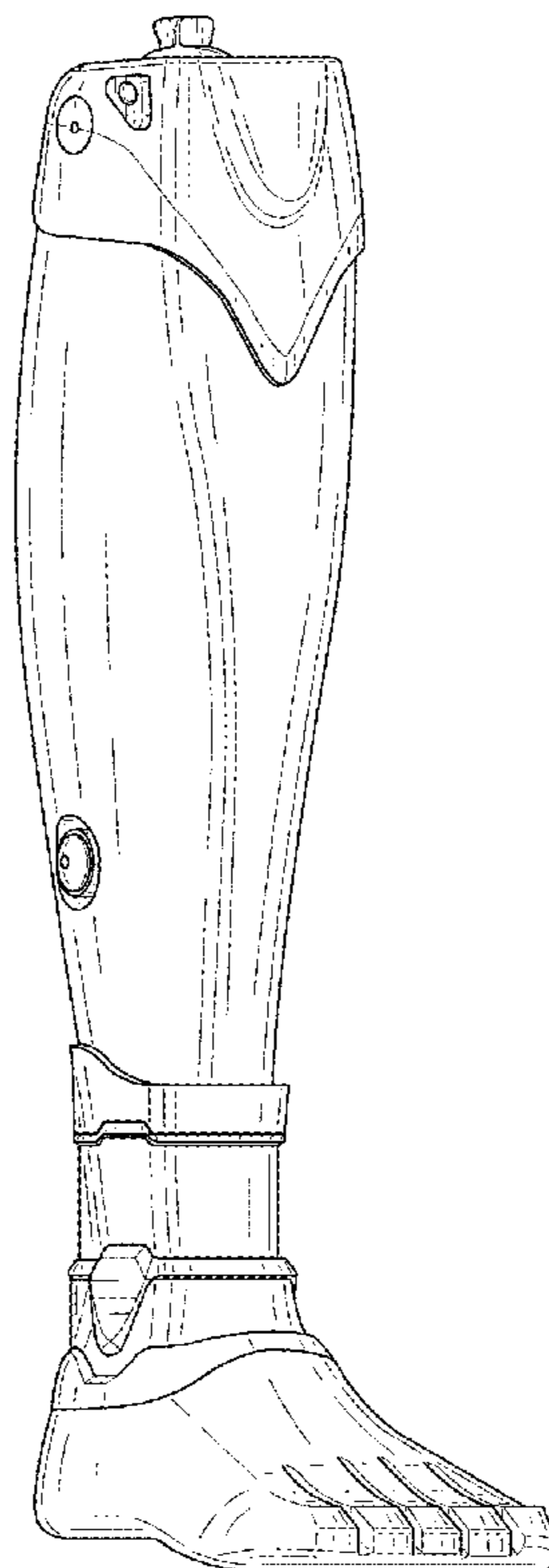
(57) **CLAIM**

The ornamental design for a prostheses, as shown and described.

**DESCRIPTION**

FIG. 1 is a perspective view of a prostheses showing my new design;  
FIG. 2 is a right side side view thereof;  
FIG. 3 is a left side view thereof;  
FIG. 4 is a front elevation view thereof;  
FIG. 5 is a back elevation view thereof;  
FIG. 6 is a top plan view thereof; and,  
FIG. 7 is a bottom plan view thereof.  
The broken lines where shown are for illustrative purposes only and form no part of the claimed design.

**1 Claim, 3 Drawing Sheets**



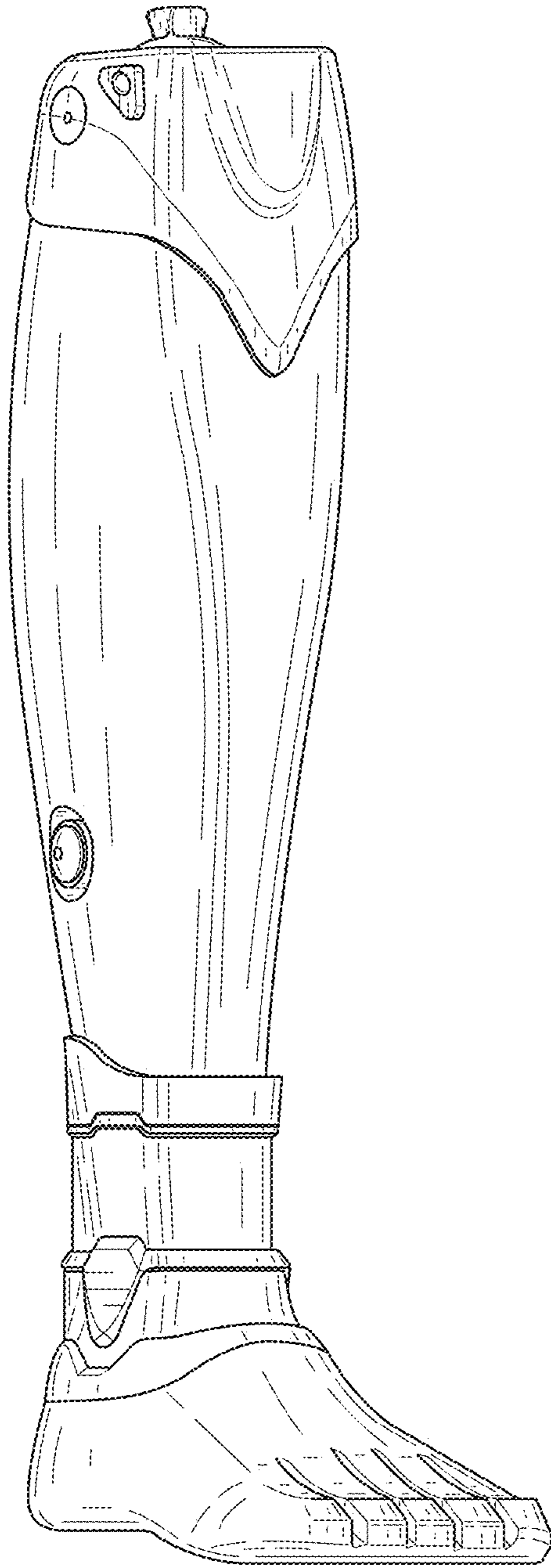


FIG. 1

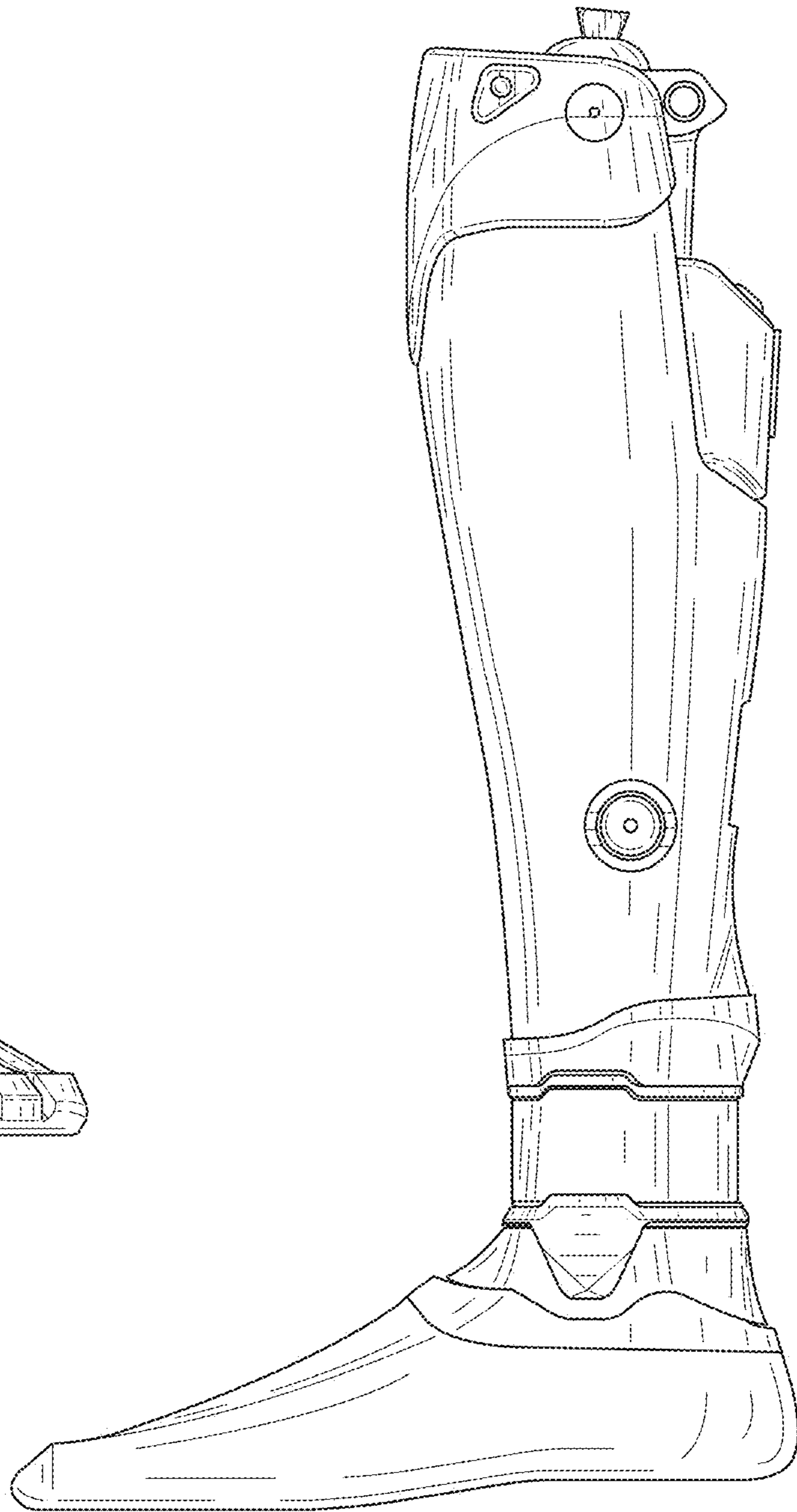


FIG. 2

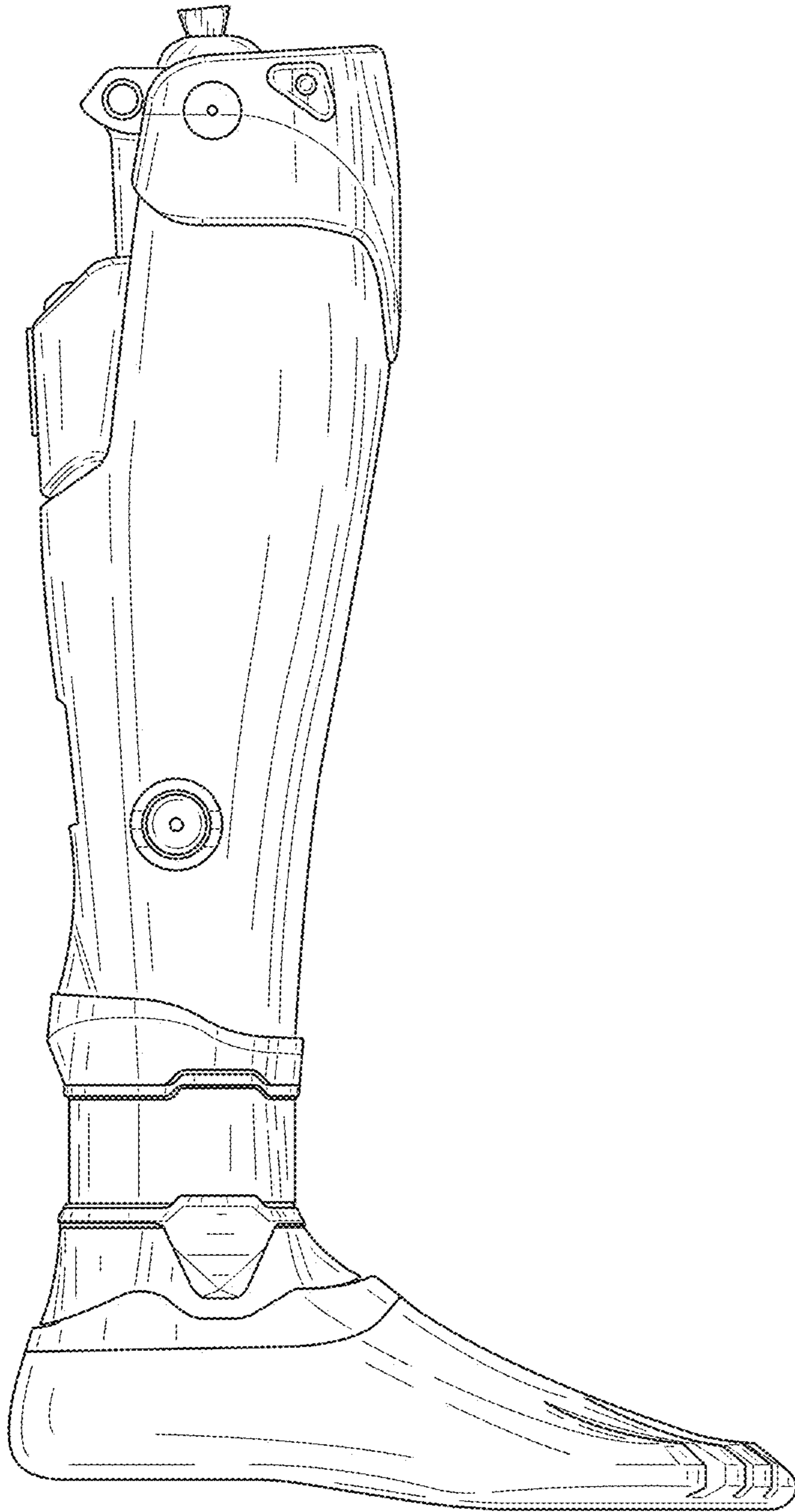


FIG. 3

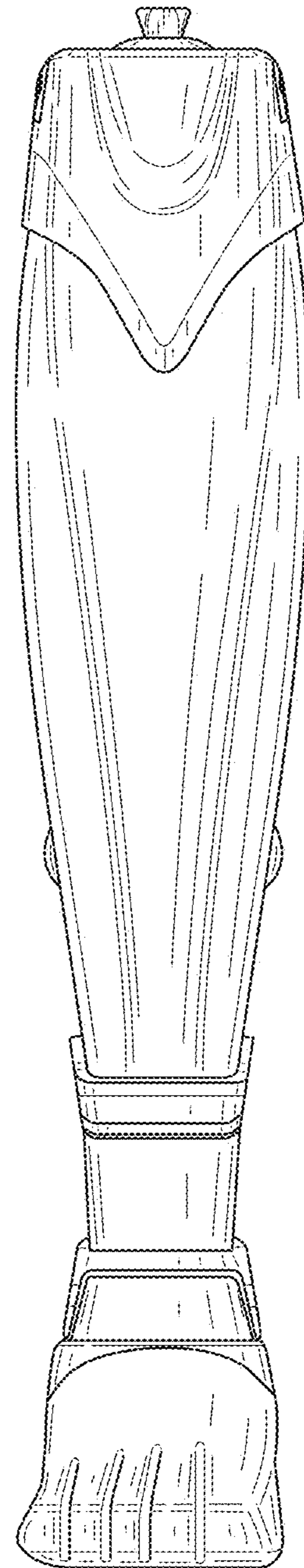


FIG. 4

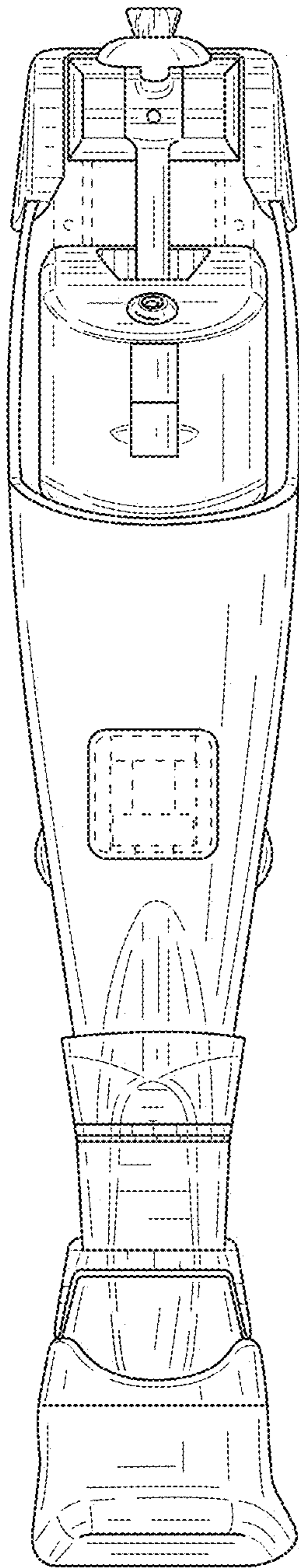


FIG. 5

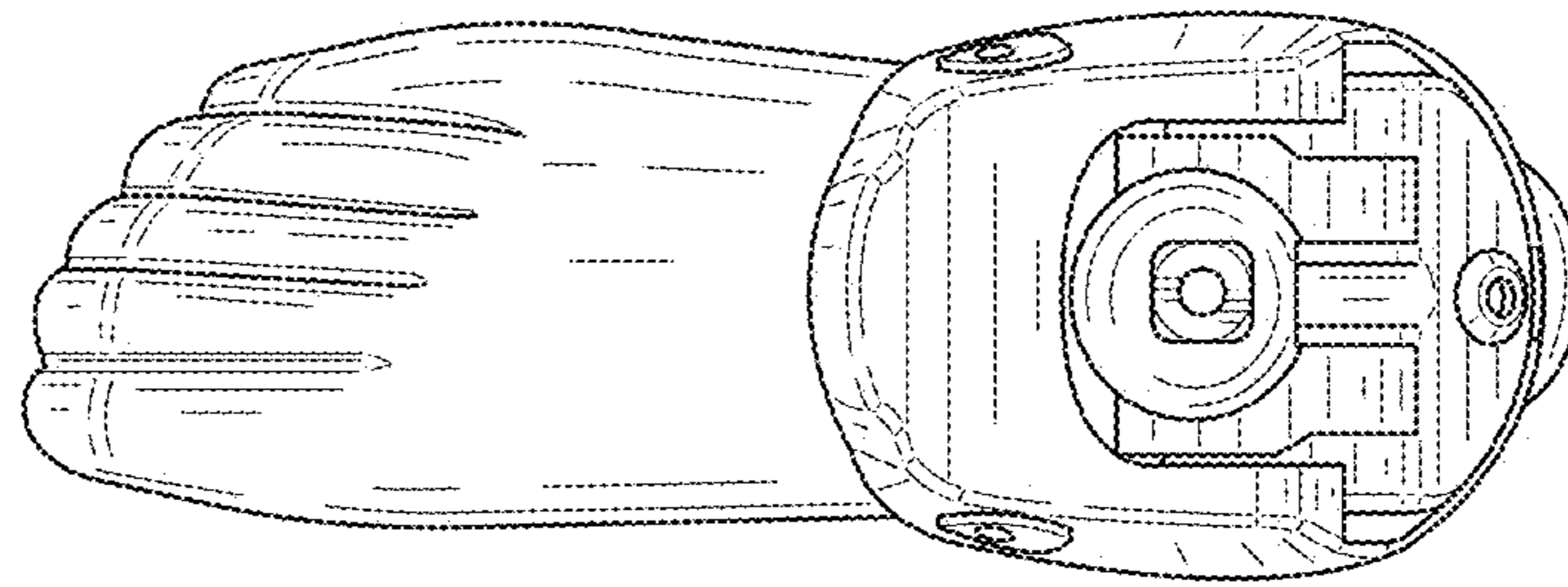


FIG. 6

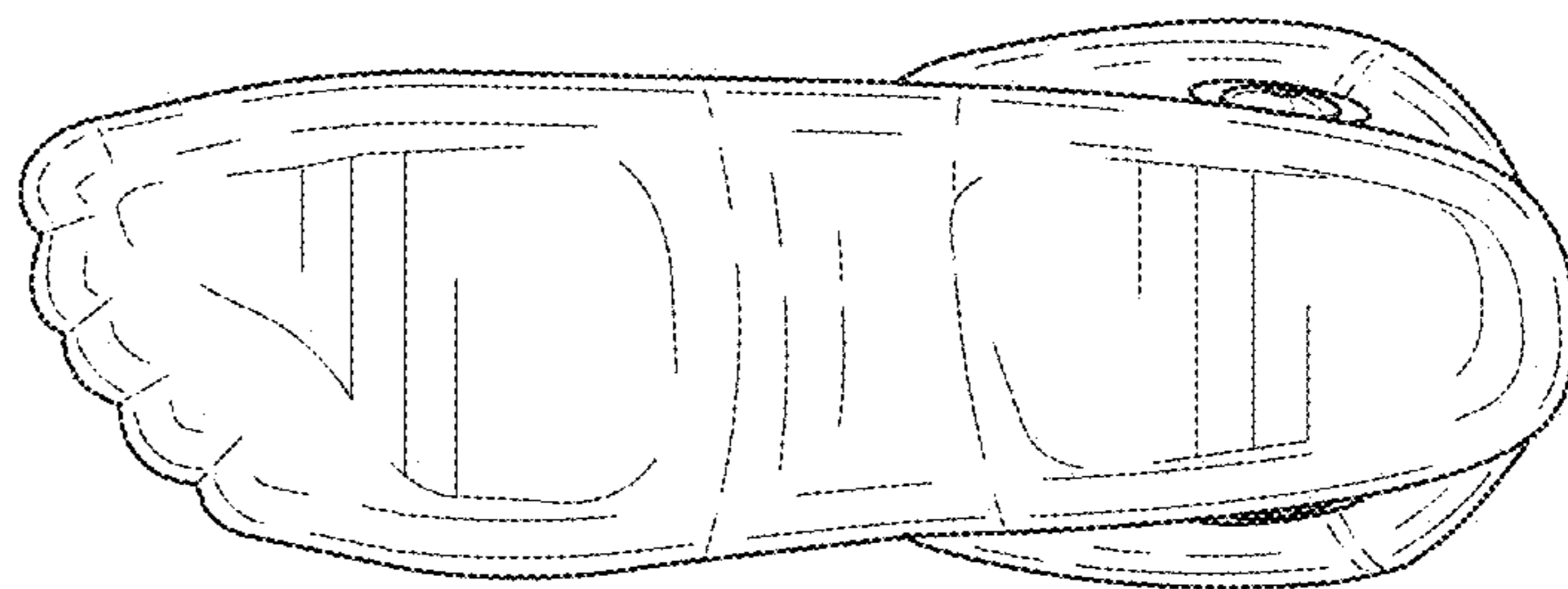


FIG. 7