



US00D870285S

(12) **United States Design Patent** (10) **Patent No.:** **US D870,285 S**
Hansson et al. (45) **Date of Patent:** **** Dec. 17, 2019**

(54) **IMPLANT**

(71) Applicant: **Swemac Innovation AB**, Linköping (SE)

(72) Inventors: **Henrik Hansson**, Vreta Kloster (SE); **Lars Öster**, Lidköping (SE)

(73) Assignee: **Swemac Innovation AB**, Lidköping (SE)

(**) Term: **15 Years**

(21) Appl. No.: **29/635,012**

(22) Filed: **Jan. 26, 2018**

(30) **Foreign Application Priority Data**

Jan. 16, 2018 (EM) 04668028

(51) **LOC (12) Cl.** **24-03**

(52) **U.S. Cl.**
USPC **D24/155**

(58) **Field of Classification Search**
USPC D24/155
CPC A61B 17/8061; A61B 17/7059; A61B 17/8052; A61B 17/8605; A61B 17/8085; A61B 17/809; A61B 17/8014; A61B 17/8033; A61B 17/8004; A61B 17/888; A61B 17/842; A61B 17/8023; A61B
(Continued)

(56) **References Cited**

U.S. PATENT DOCUMENTS

D443,060 S * 5/2001 Benirschke D24/155
D458,684 S * 6/2002 Bryant D24/155
(Continued)

Primary Examiner — Charles D Hanson

(74) *Attorney, Agent, or Firm* — Renner, Otto, Boisselle and Sklar, LLP

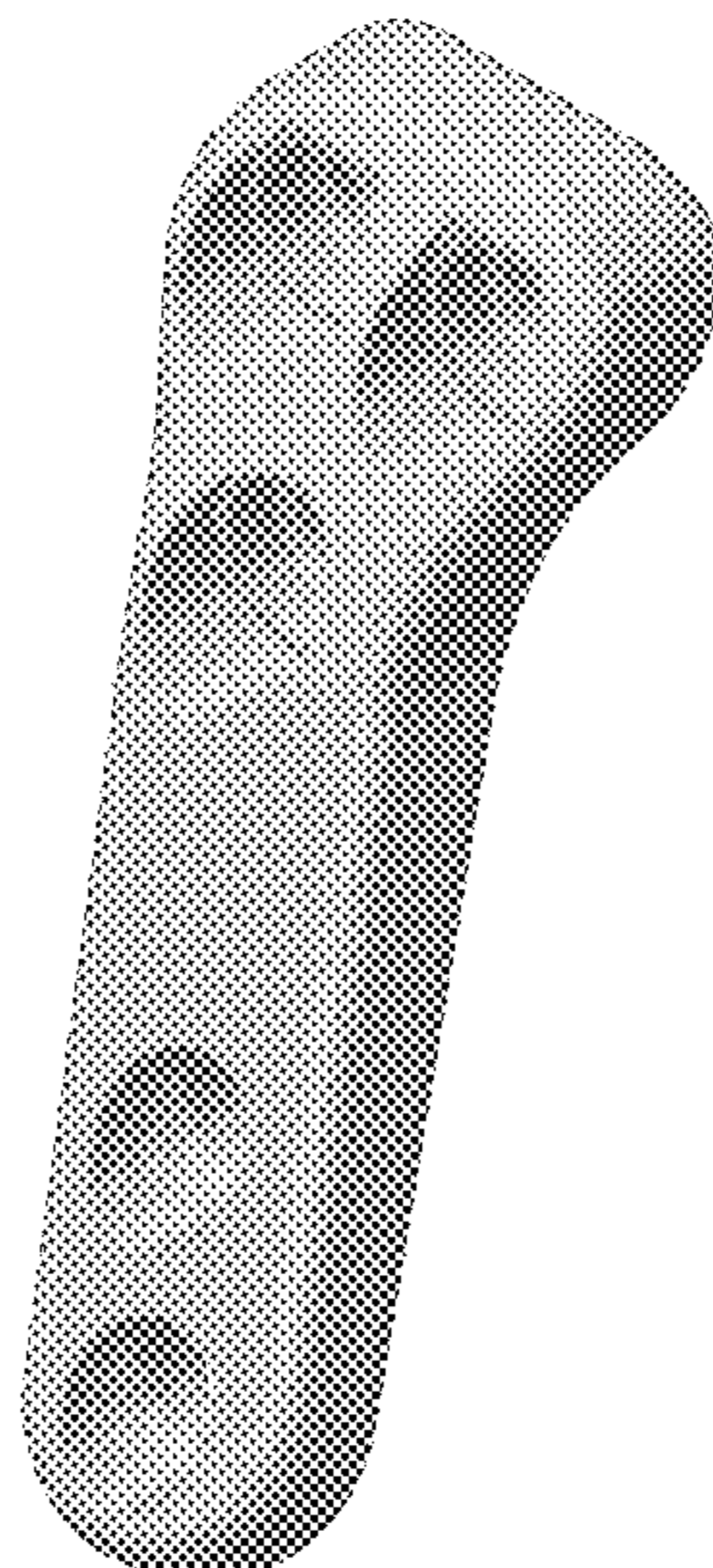
(57) **CLAIM**

The ornamental design for an implant, as shown and described.

DESCRIPTION

FIG. 1 is a front elevation view of a first embodiment of an implant showing our new design;
FIG. 2 is a rear elevation view thereof;
FIG. 3 is a left side elevation view thereof;
FIG. 4 is a right side elevation view thereof;
FIG. 5 is a top, right, front perspective view thereof;
FIG. 6 is a bottom, rear perspective view thereof;
FIG. 7 is a top, front perspective view thereof;
FIG. 8 is a front elevation view of a second embodiment of an implant showing our new design;
FIG. 9 is a rear elevation view thereof;
FIG. 10 is a left side elevation view thereof;
FIG. 11 is a right side elevation view thereof;
FIG. 12 is a top, right, front perspective view thereof;
FIG. 13 is a bottom, rear perspective view thereof;
FIG. 14 is a top, front perspective view thereof;
FIG. 15 is a front elevation view of a third embodiment of an implant showing our new design;
FIG. 16 is a rear elevation view thereof;
FIG. 17 is a left side elevation view thereof;
FIG. 18 is a right side elevation view thereof;
FIG. 19 is a top, left, front perspective view thereof;
FIG. 20 is a bottom, rear perspective view thereof;
FIG. 21 is a top, front perspective view thereof;
FIG. 22 is a front elevation view of a fourth embodiment of an implant showing our new design;
FIG. 23 is a rear elevation view thereof;
FIG. 24 is a left side elevation view thereof;
FIG. 25 is a right side elevation view thereof;
FIG. 26 is a top, left, front perspective view thereof;
FIG. 27 is a bottom, rear perspective view thereof; and,
FIG. 28 is a top, front perspective view thereof.
The broken line showing and the unshaded areas in FIGS. 8-14 and 22-28 illustrate unclaimed subject matter and form no part of the claimed design.

1 Claim, 28 Drawing Sheets



(58) **Field of Classification Search**

CPC . 17/8009; A61B 17/86; A61B 17/1739; A61B
17/8066; A61B 17/1671; A61B 17/1757;
A61B 17/8071; A61B 17/176

See application file for complete search history.

(56) **References Cited**

U.S. PATENT DOCUMENTS

D463,559	S *	9/2002	Bryant	D24/155
D469,533	S *	1/2003	Bryant	D24/155
D469,874	S *	2/2003	Bryant	D24/155
D469,875	S *	2/2003	Bryant	D24/155
D480,141	S *	9/2003	Benirschke	D24/155
7,655,029	B2 *	2/2010	Niederberger	A61B 17/8061 606/280
D622,853	S *	8/2010	Raven, III	D24/155
7,846,189	B2 *	12/2010	Winqvist	A61B 17/8085 606/280
D630,750	S *	1/2011	Graham	D24/155
8,740,905	B2 *	6/2014	Price	A61B 17/1728 606/71

* cited by examiner

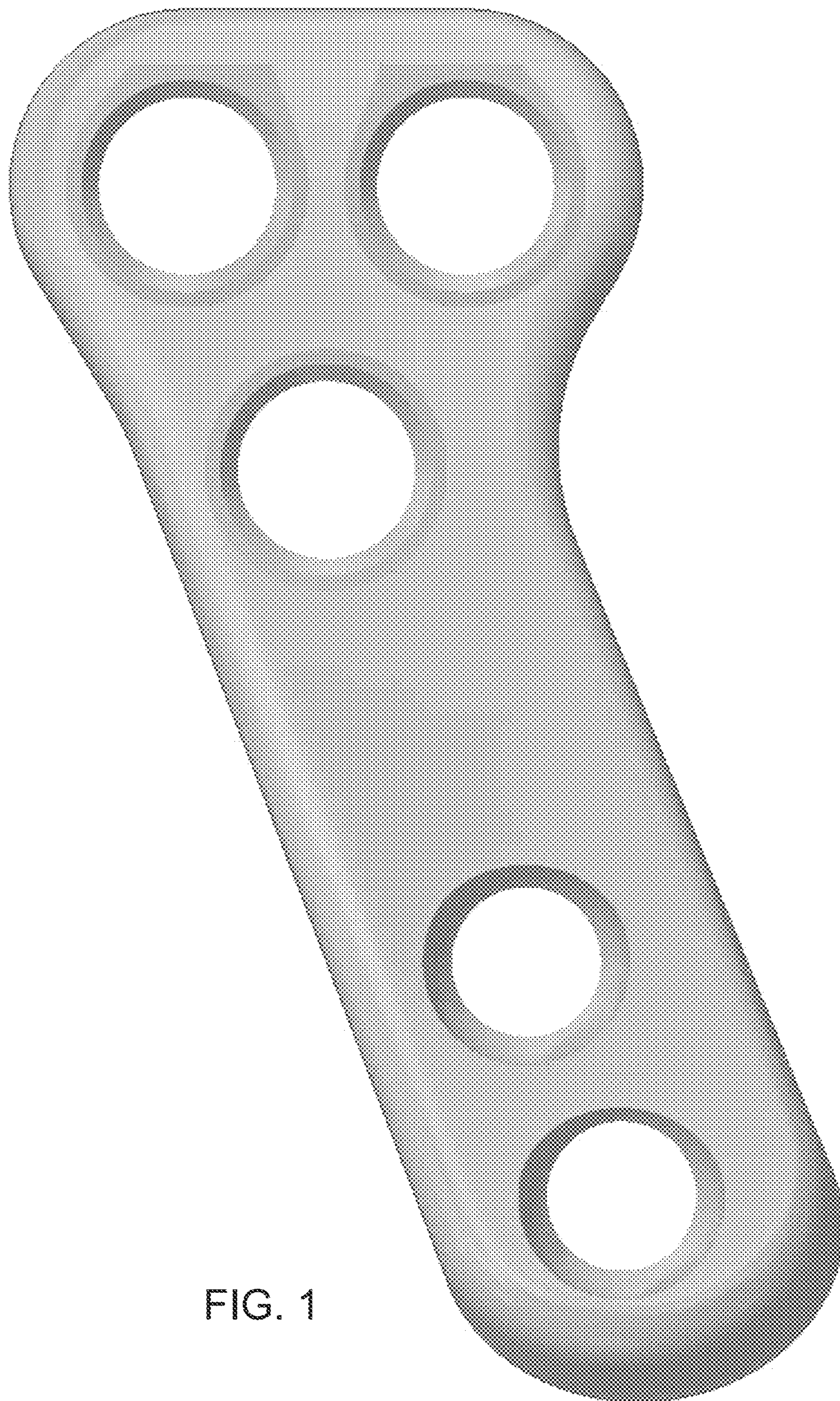


FIG. 1

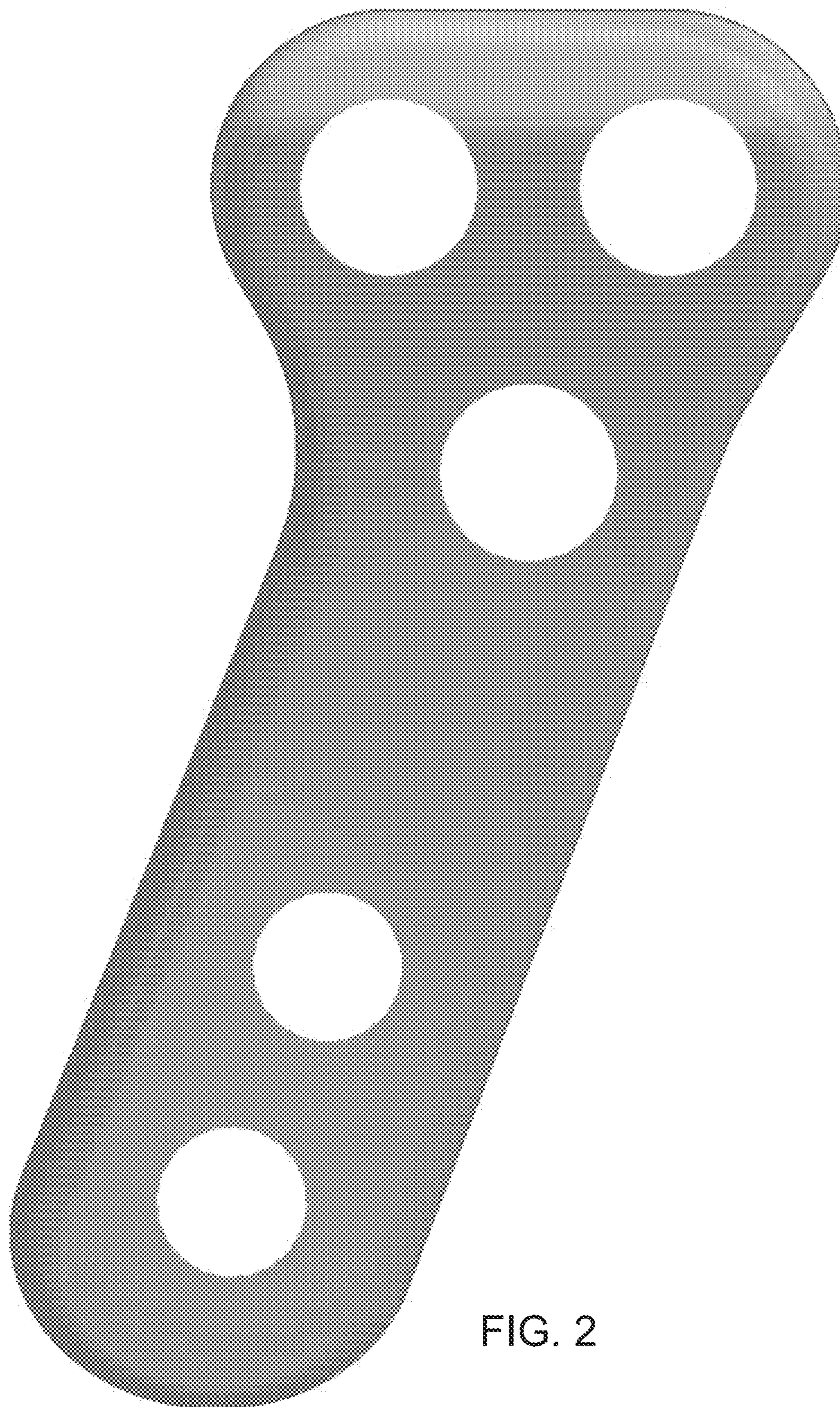


FIG. 2

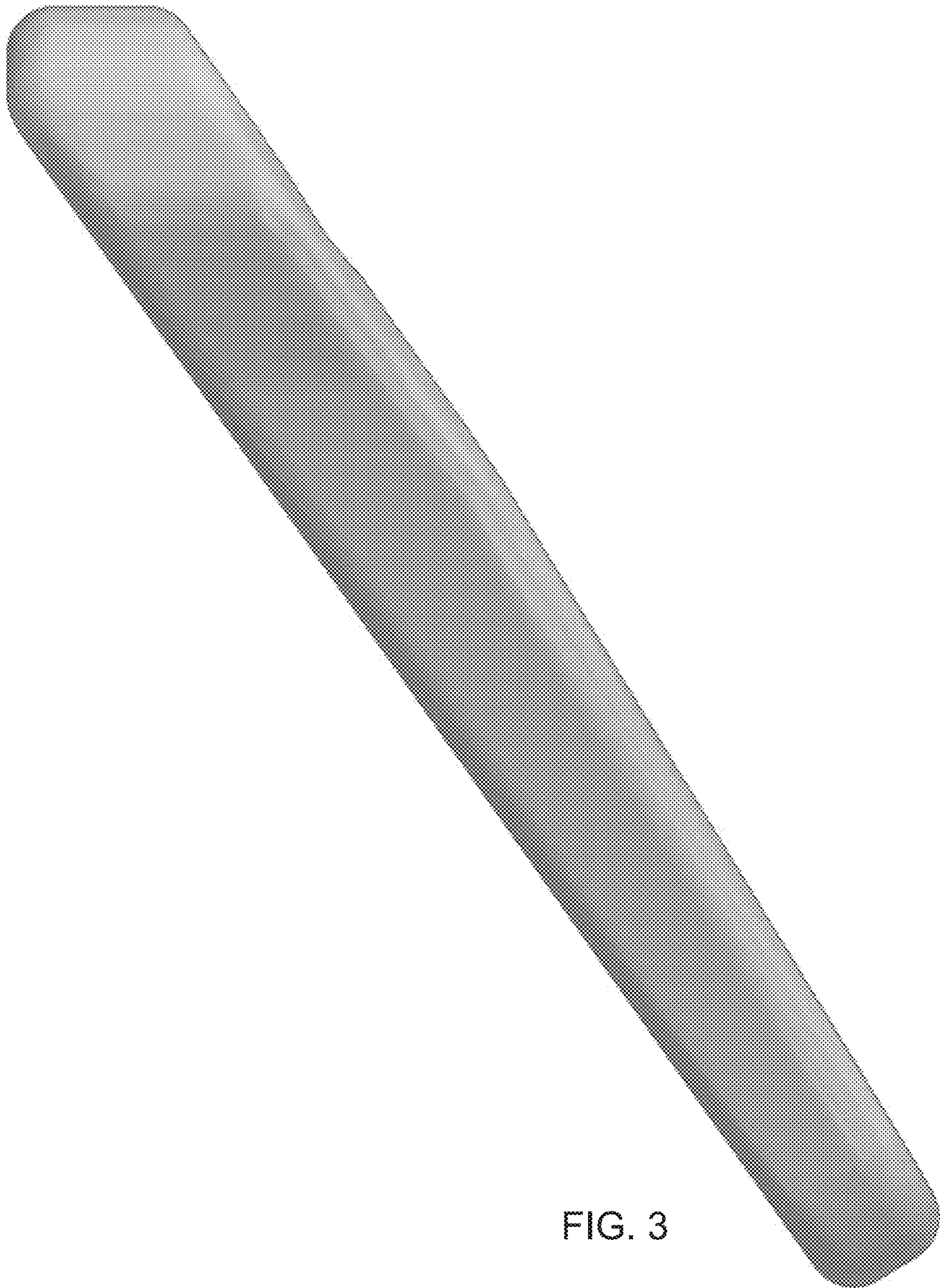


FIG. 3



FIG. 4

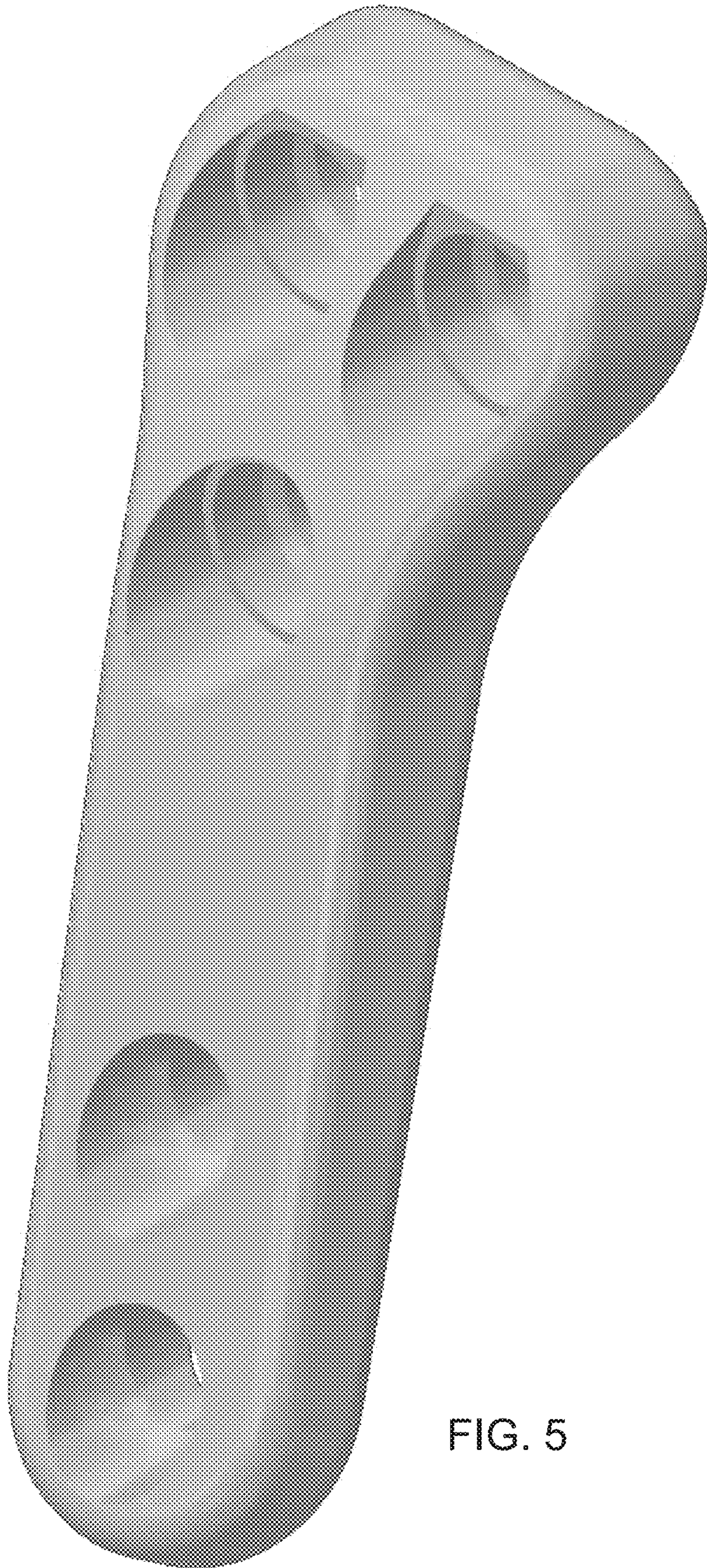


FIG. 5

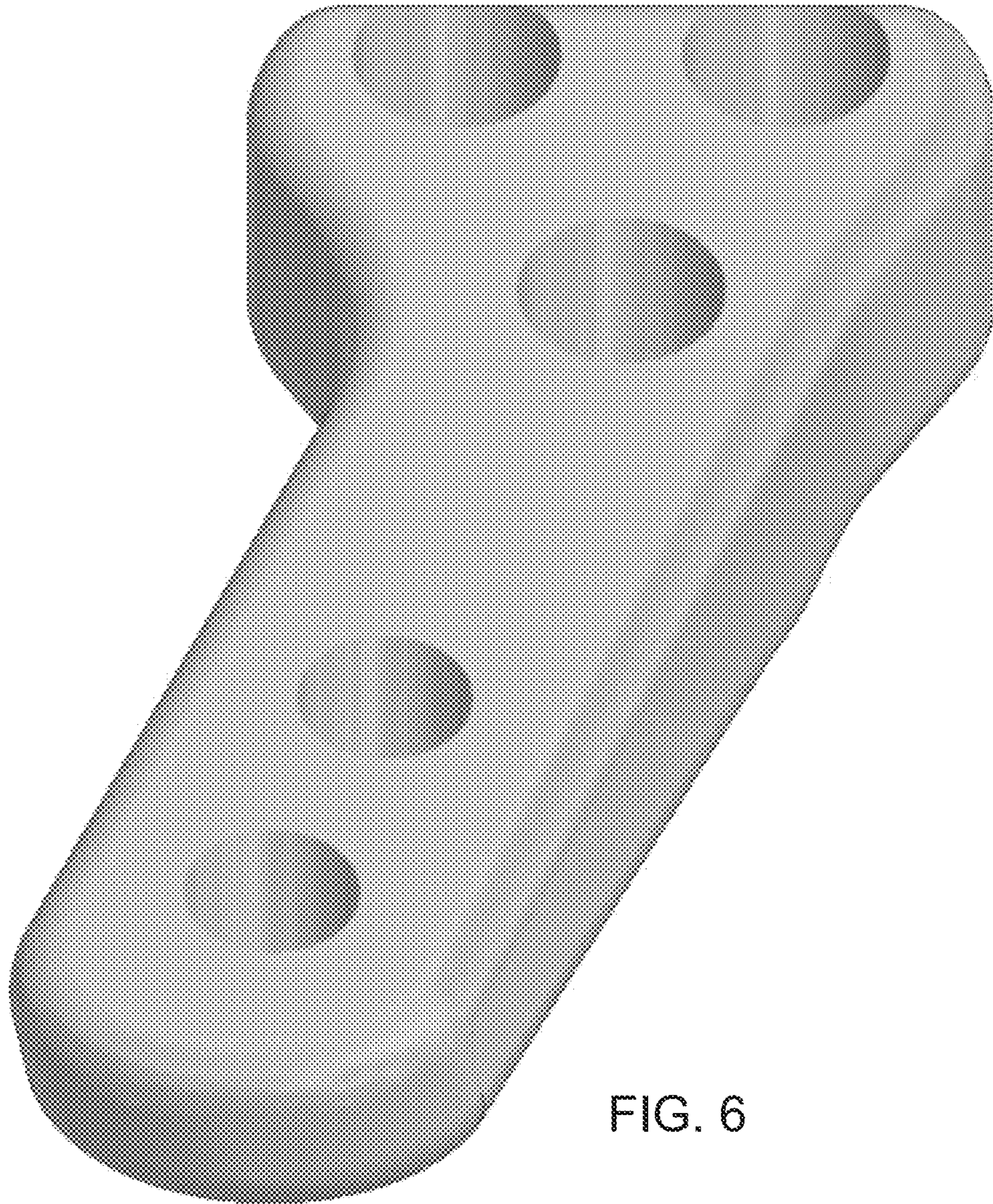


FIG. 6

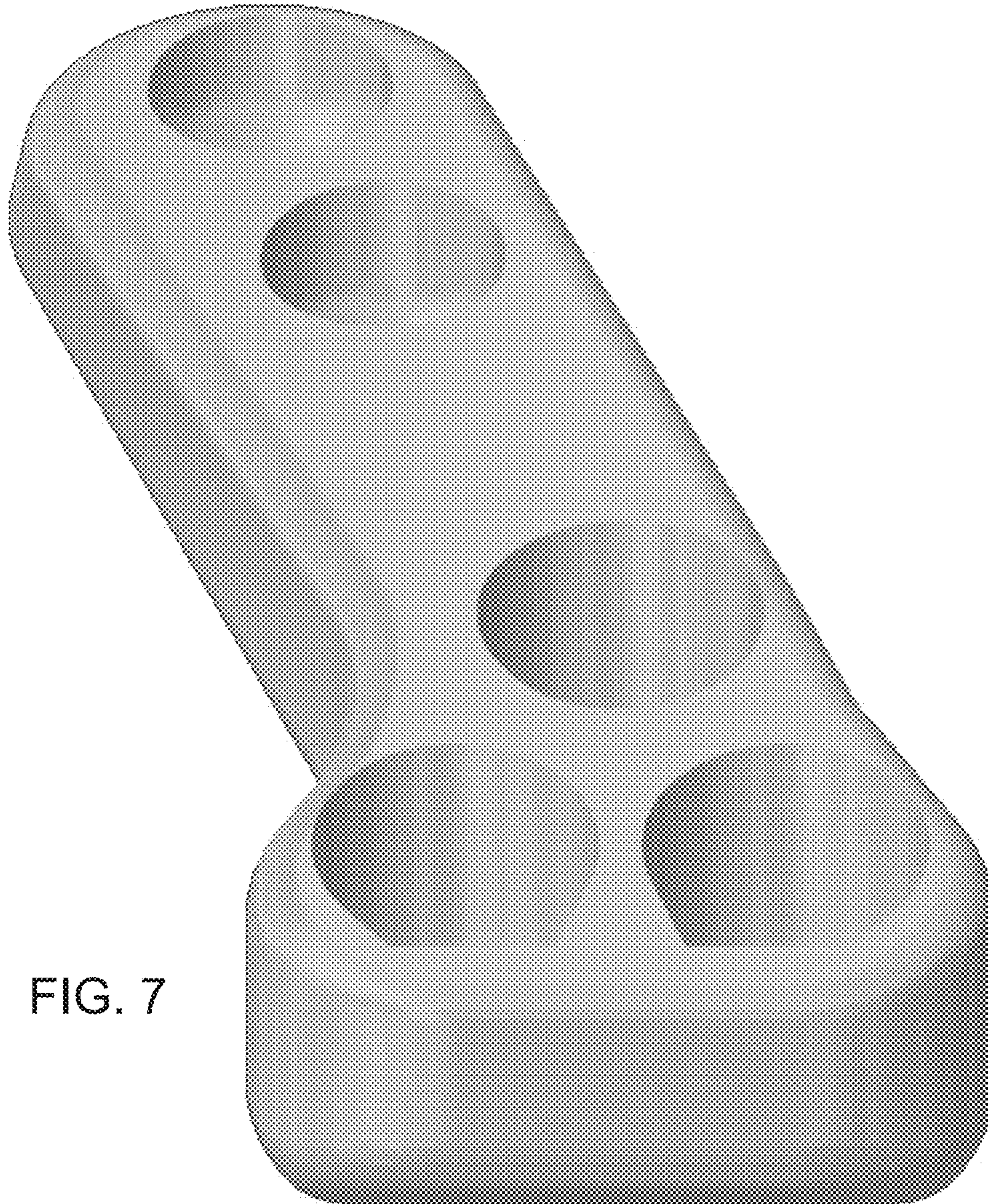


FIG. 7

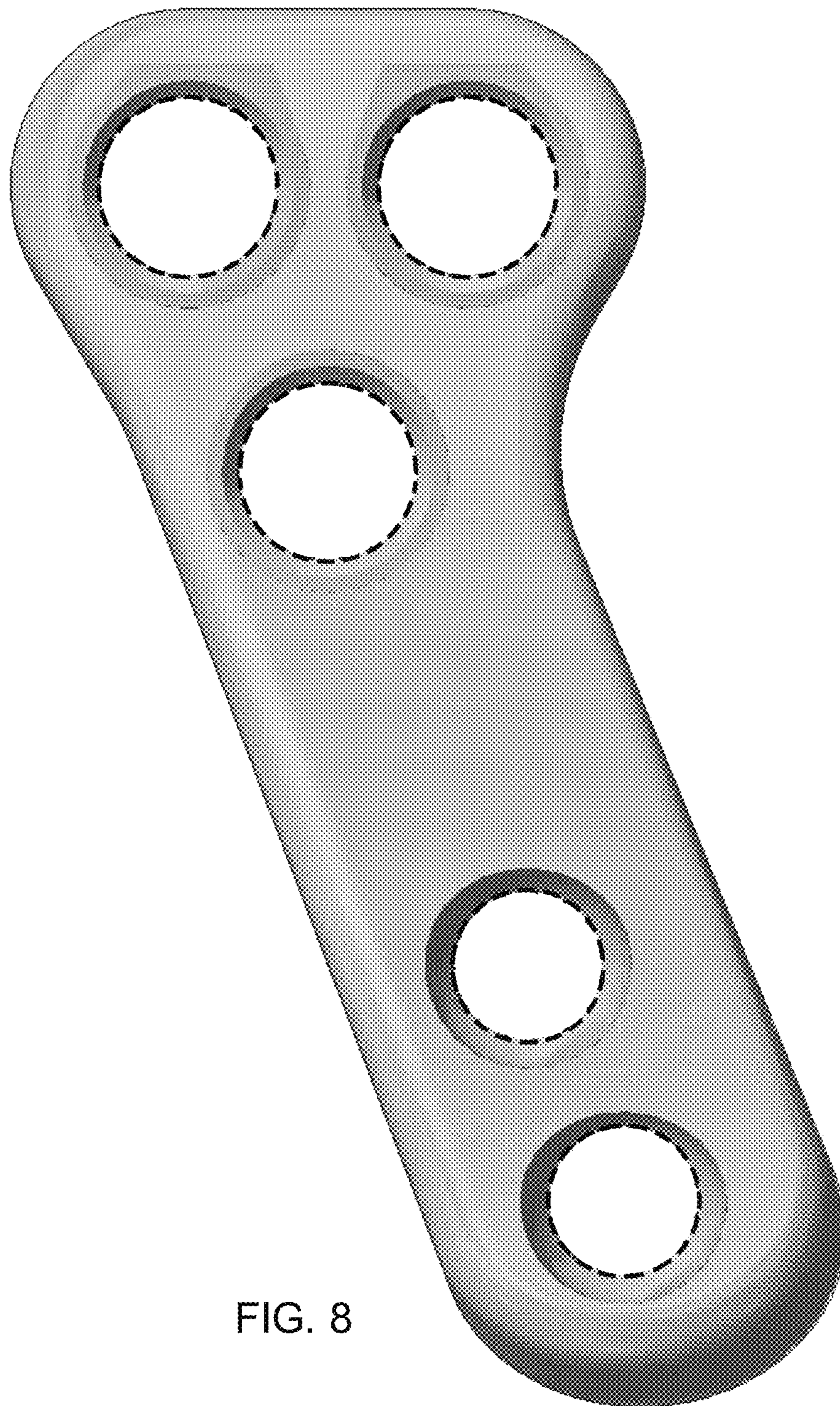


FIG. 8

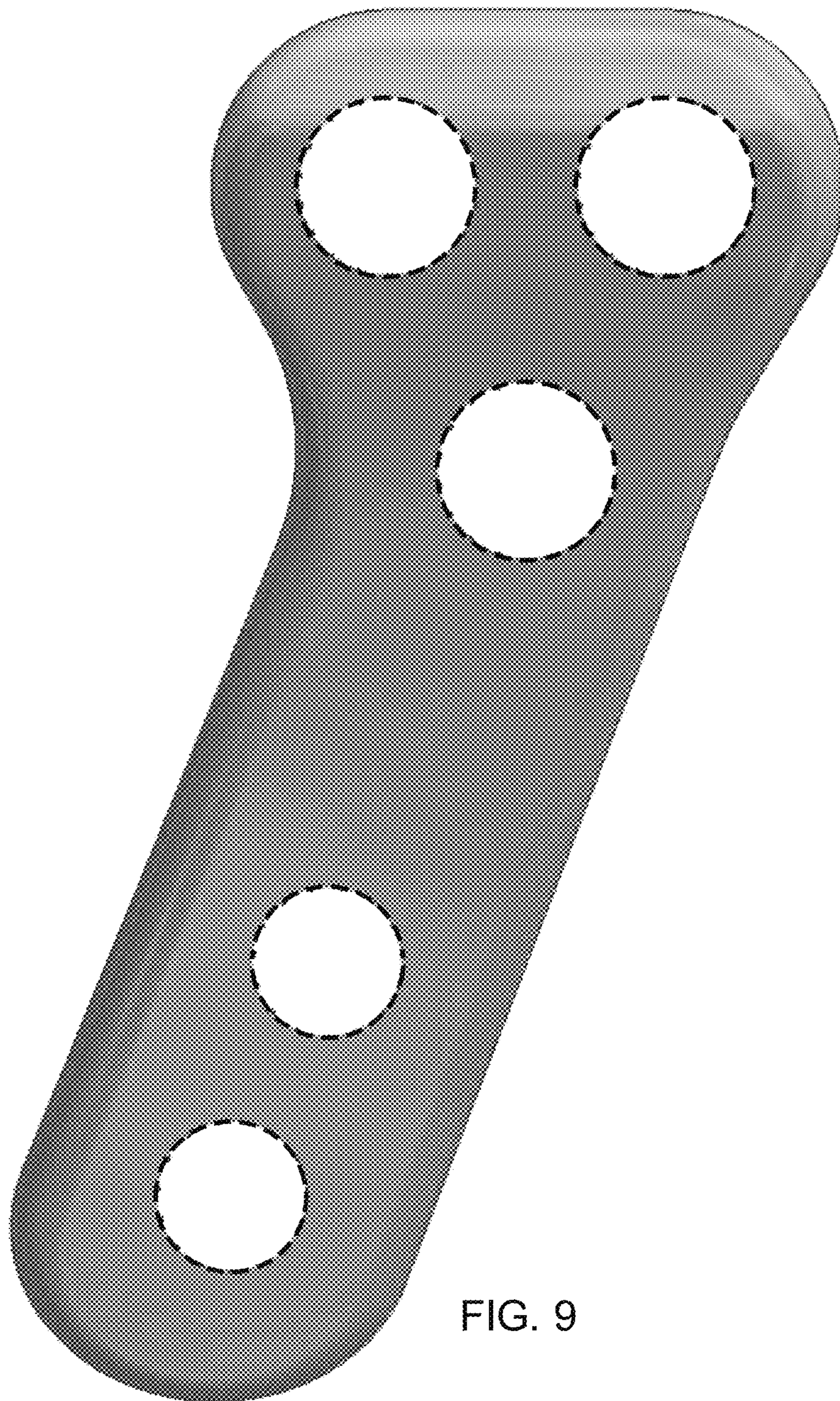


FIG. 9



FIG. 10



FIG. 11

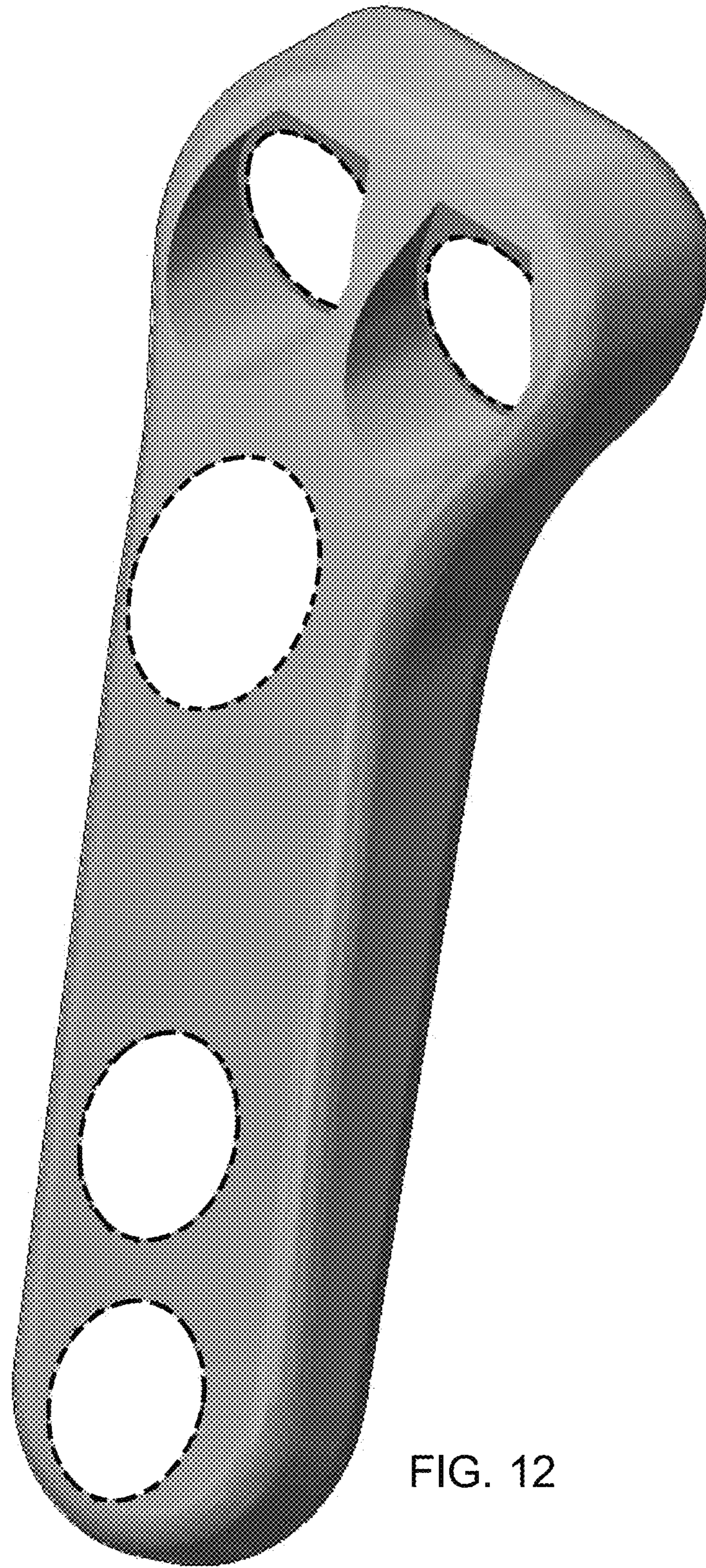


FIG. 12

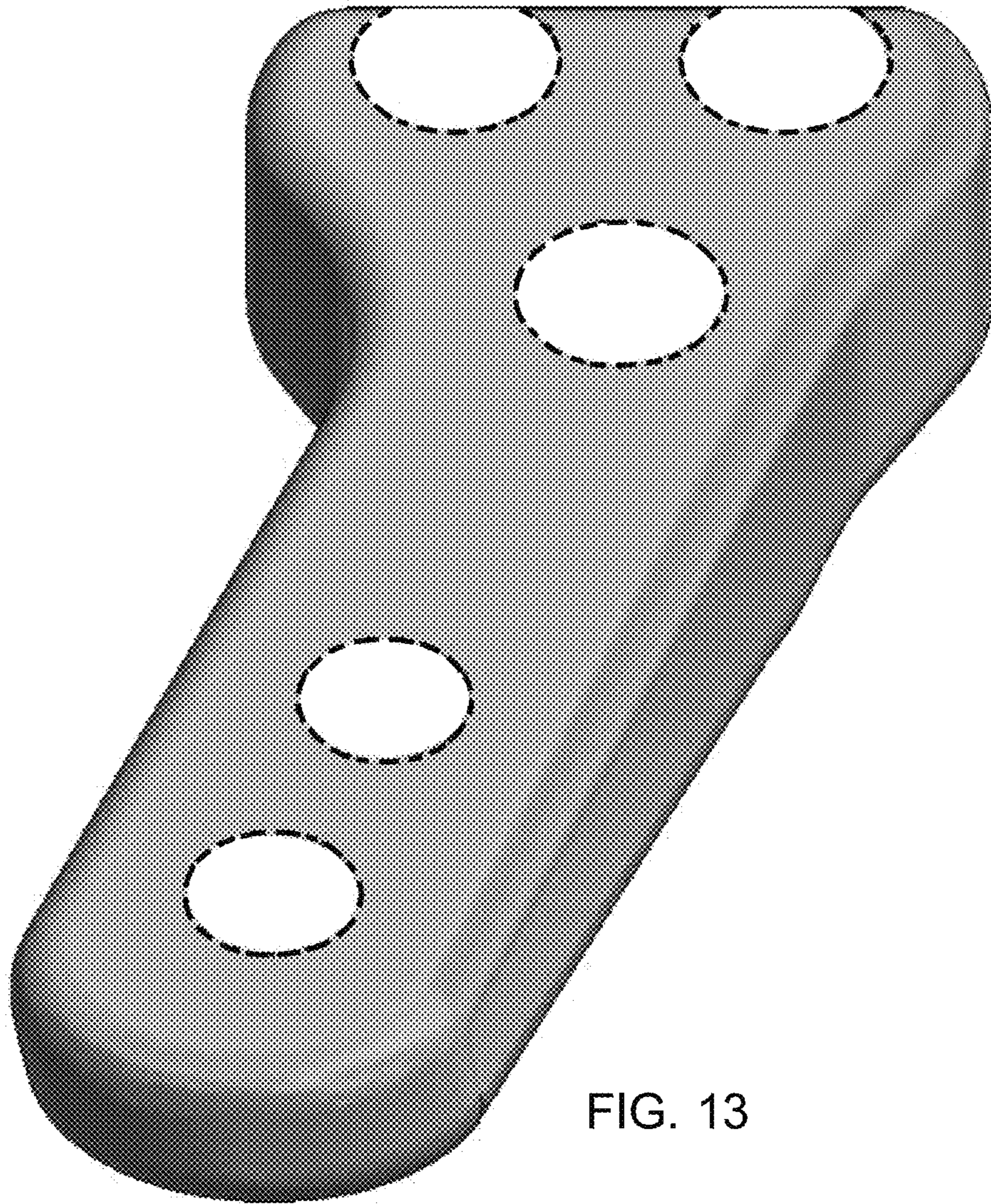


FIG. 13

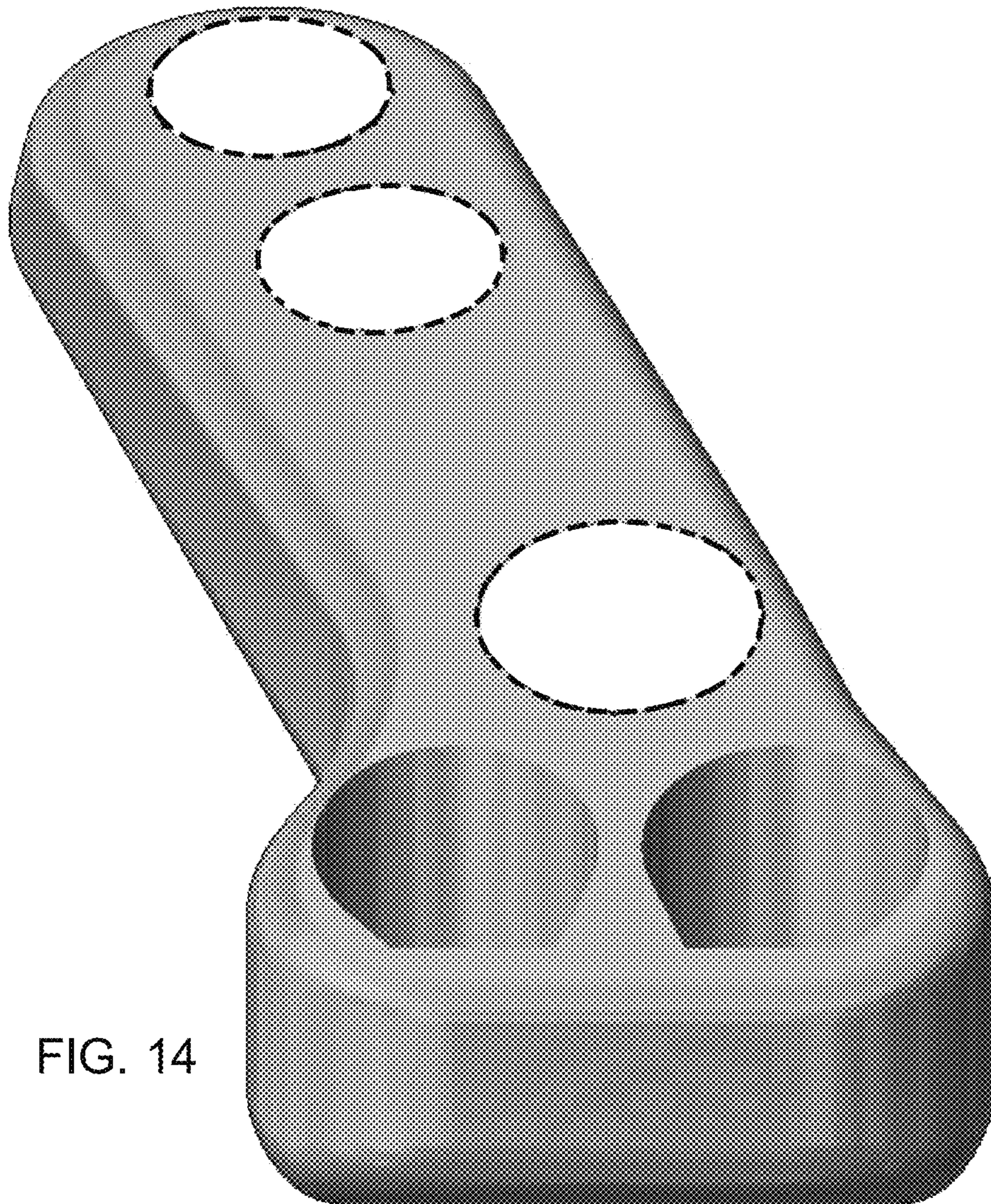


FIG. 14

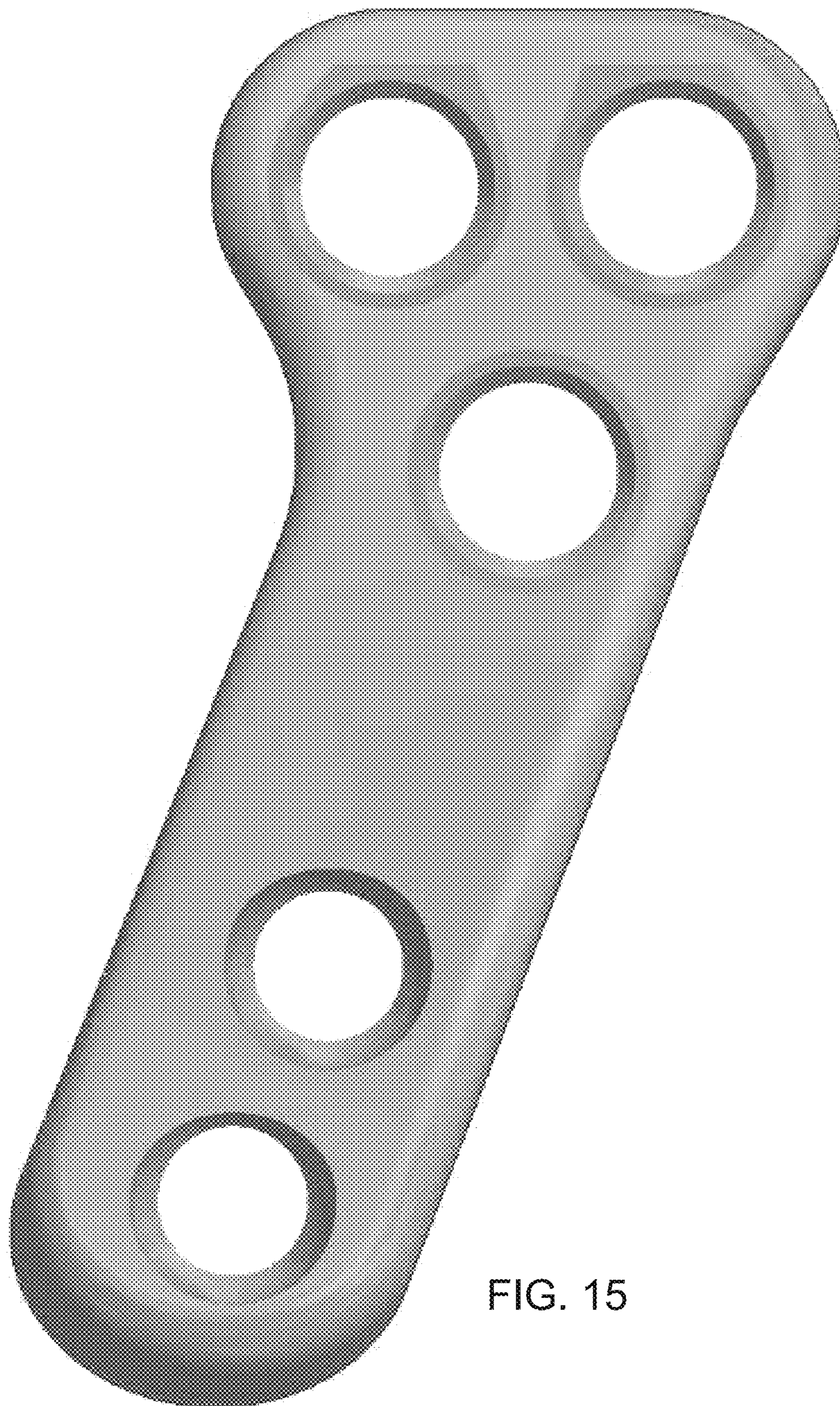


FIG. 15

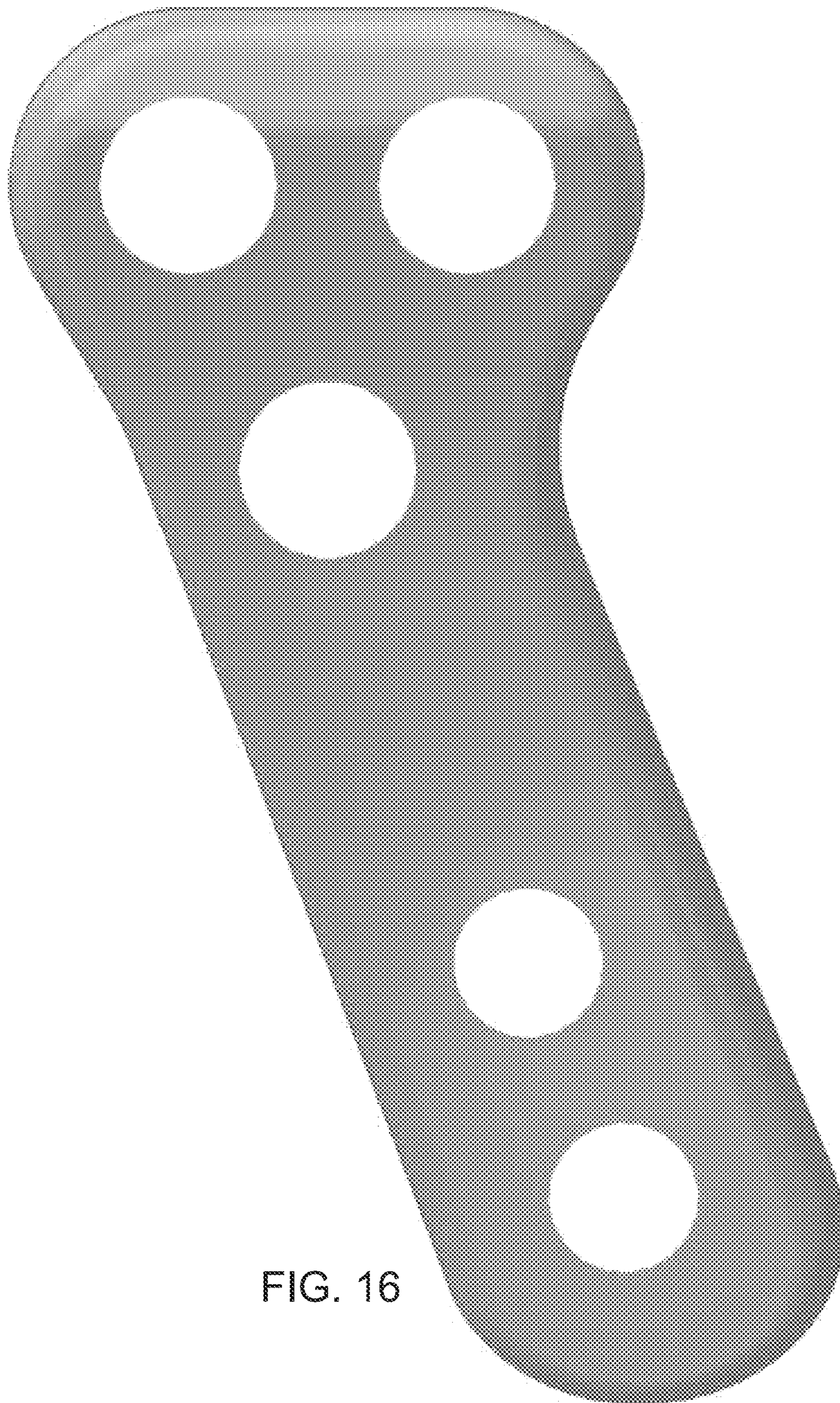


FIG. 16

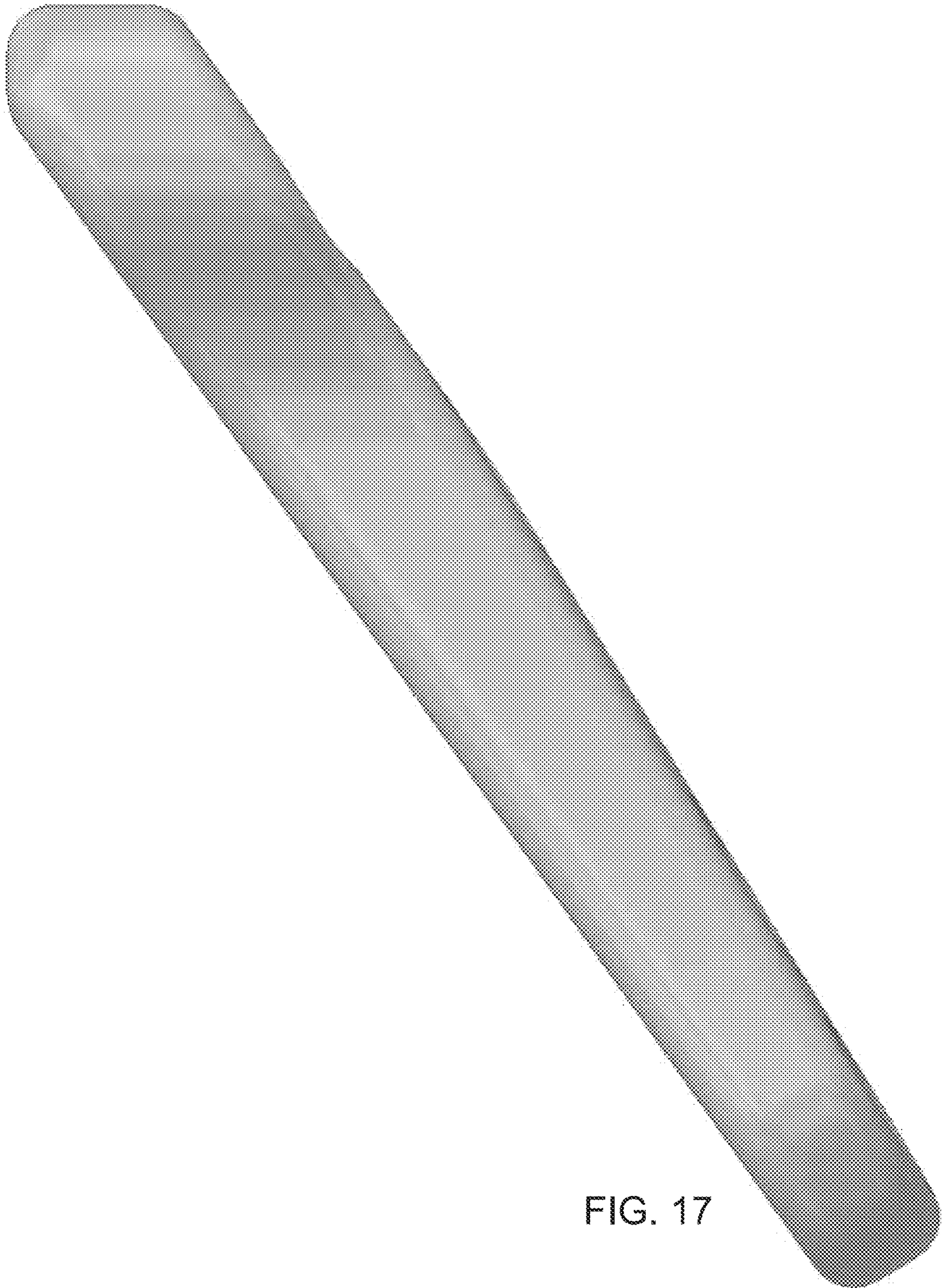


FIG. 17

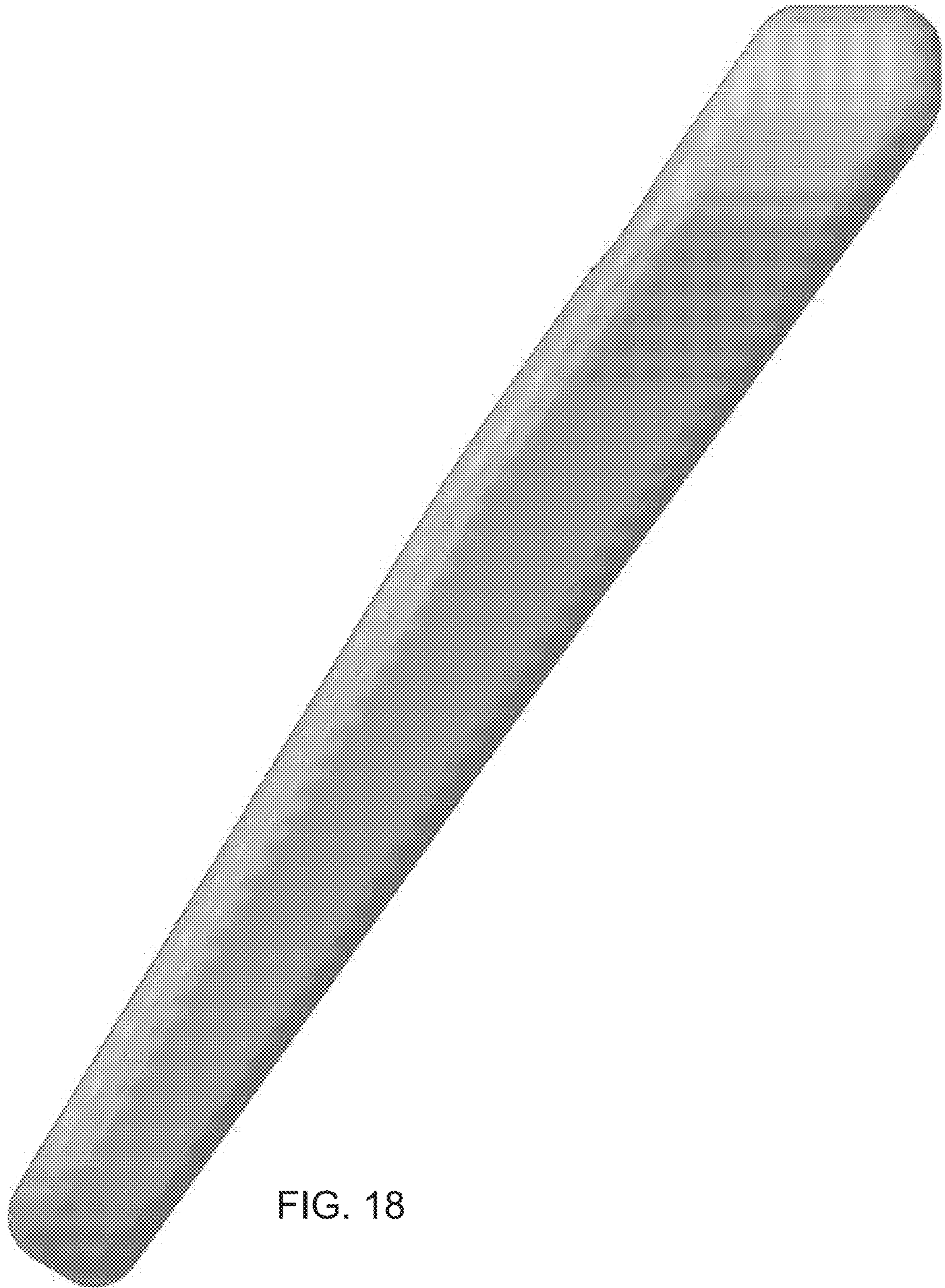


FIG. 18

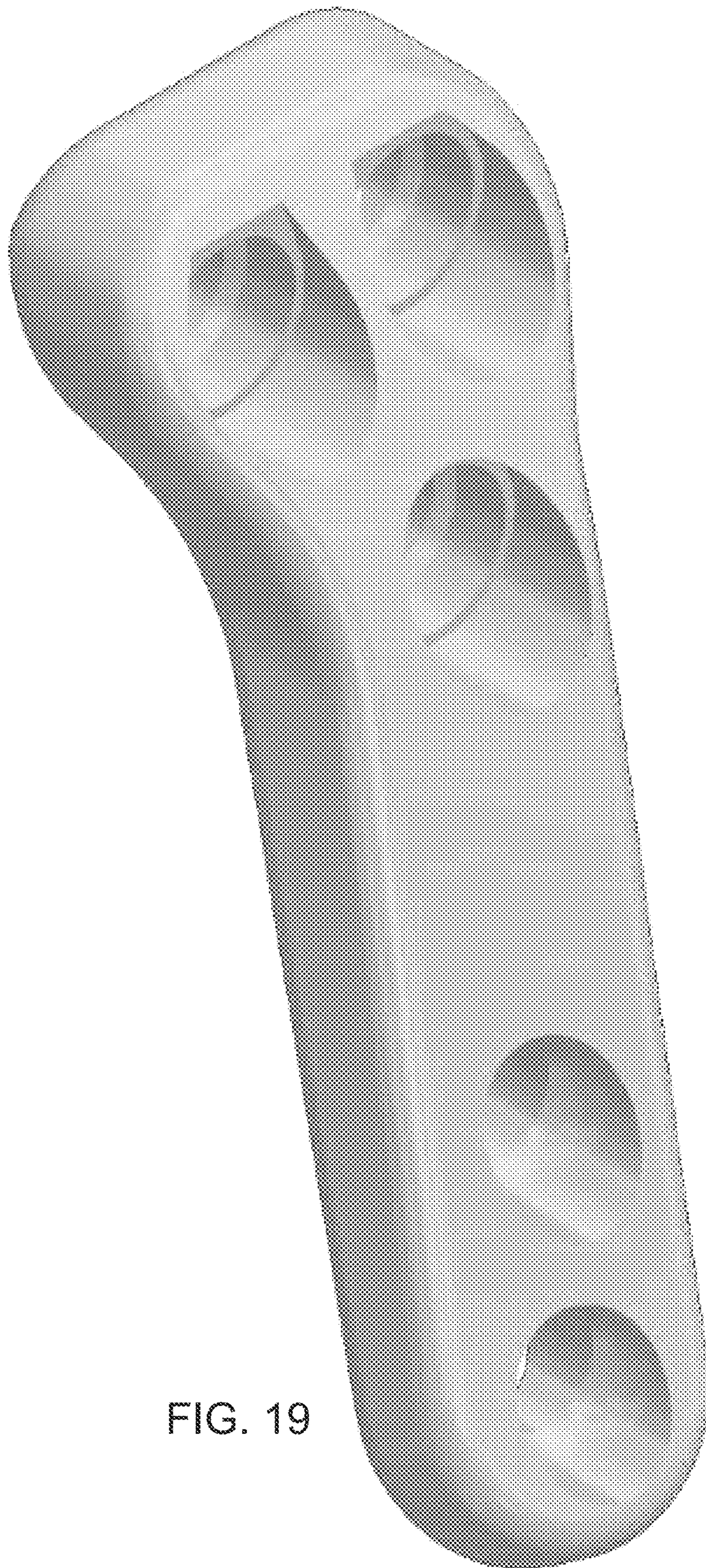


FIG. 19

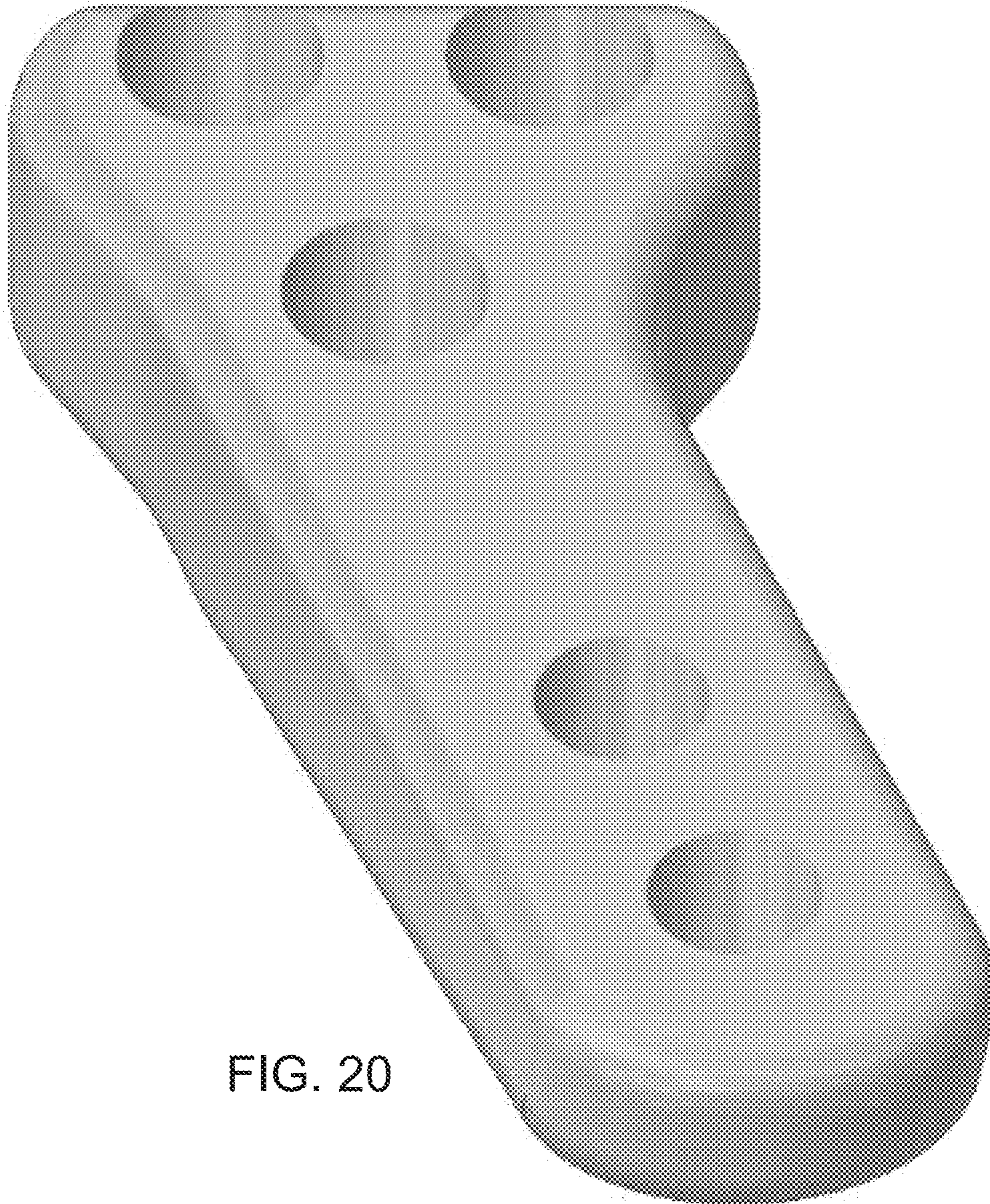


FIG. 20

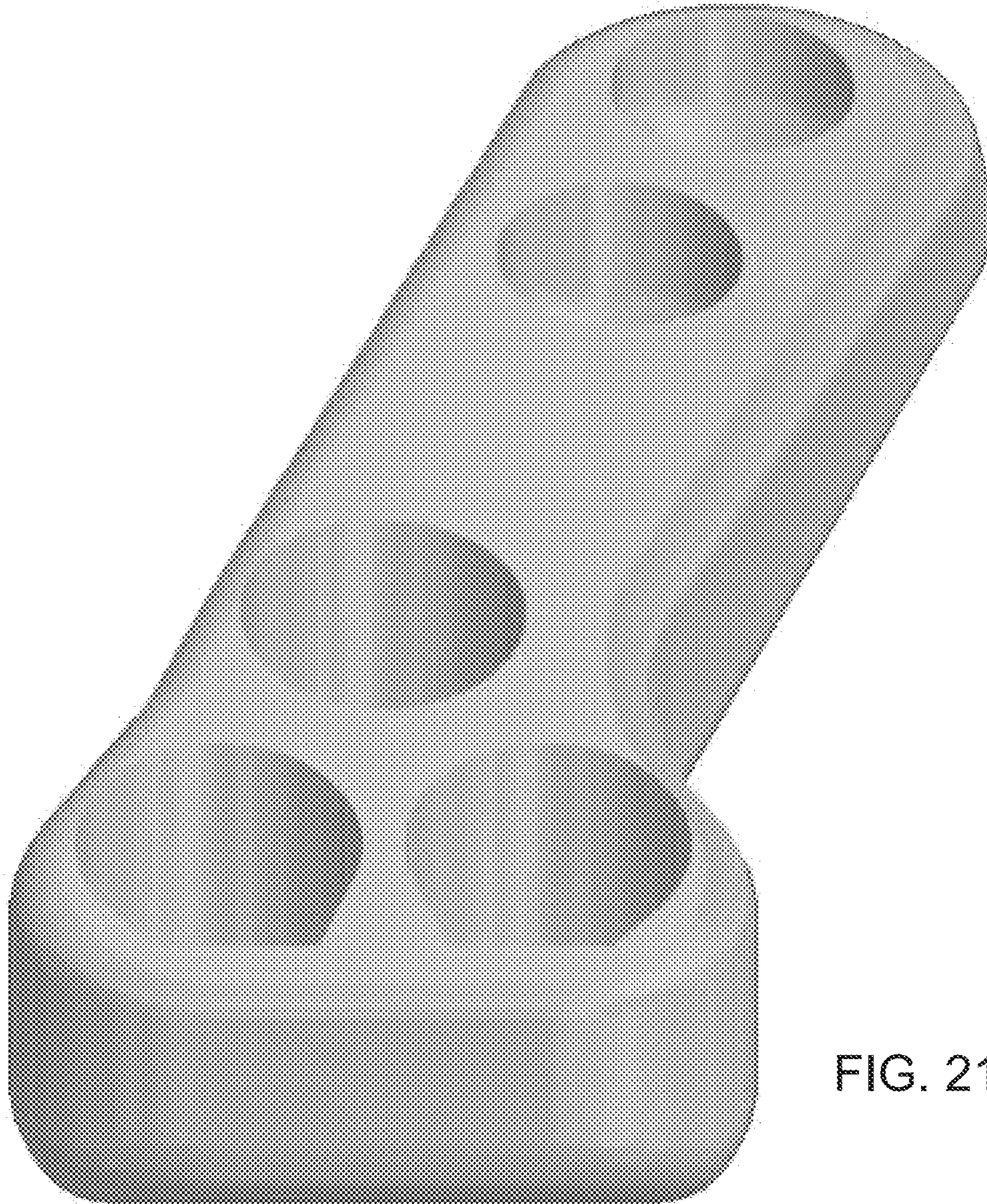


FIG. 21

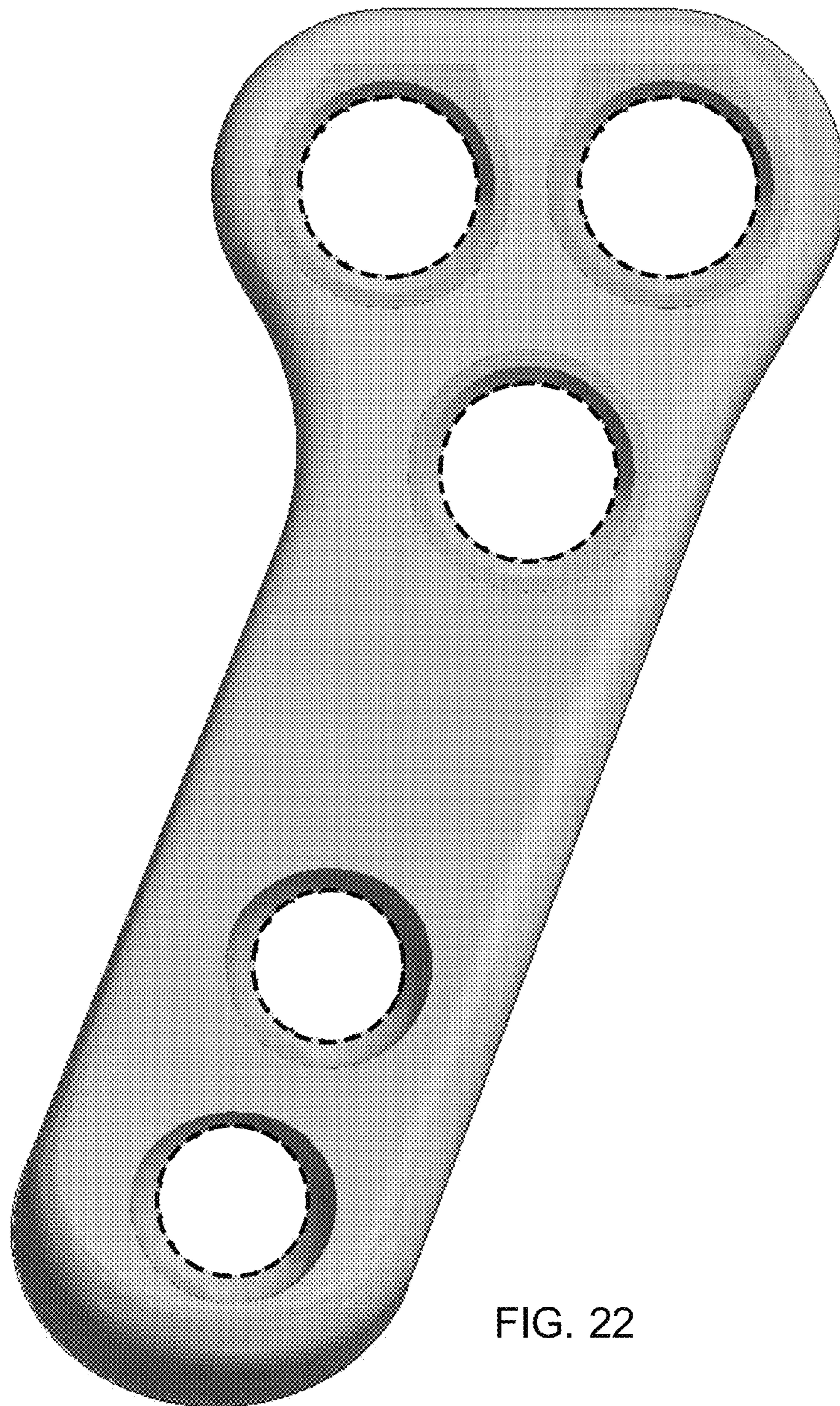


FIG. 22

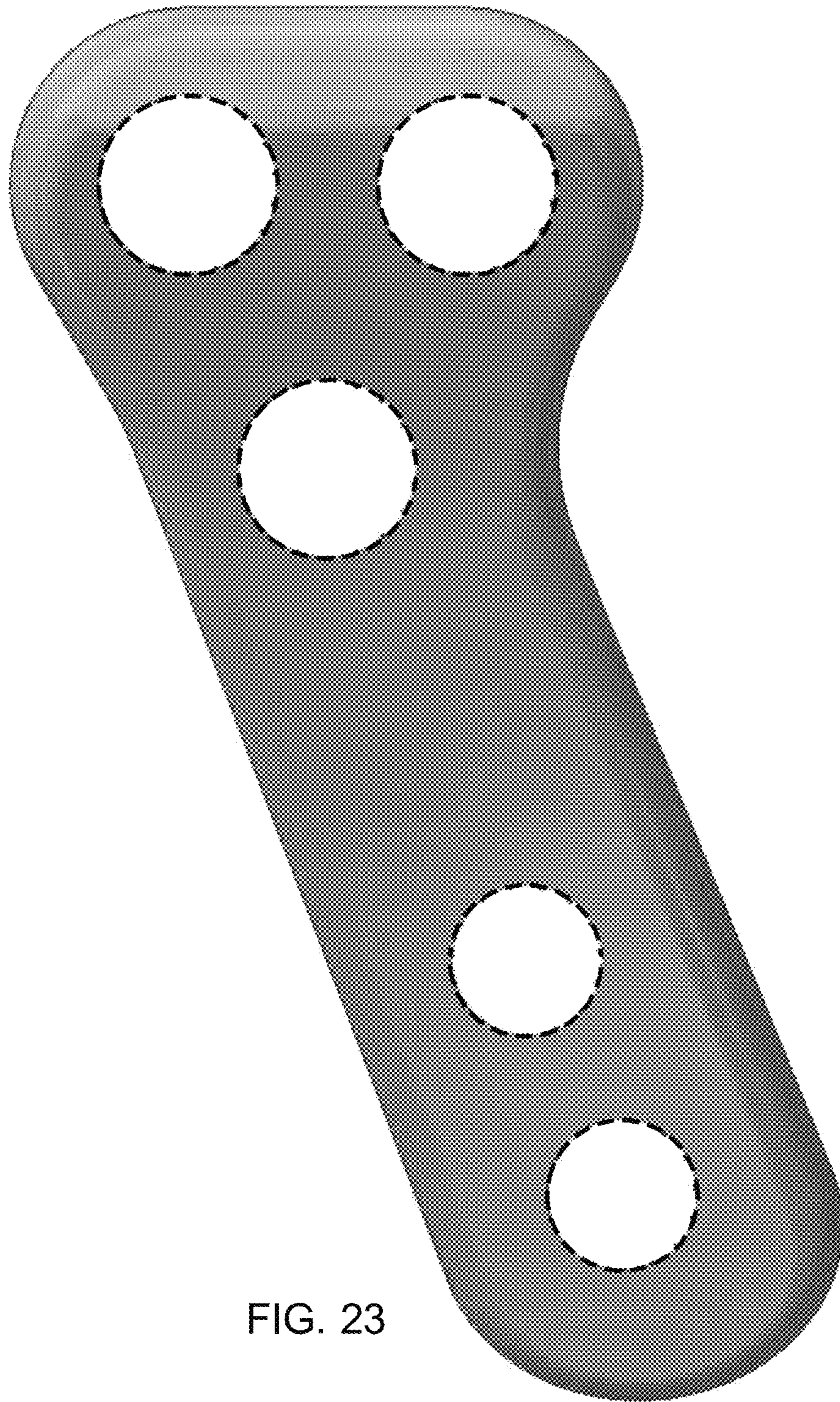


FIG. 23

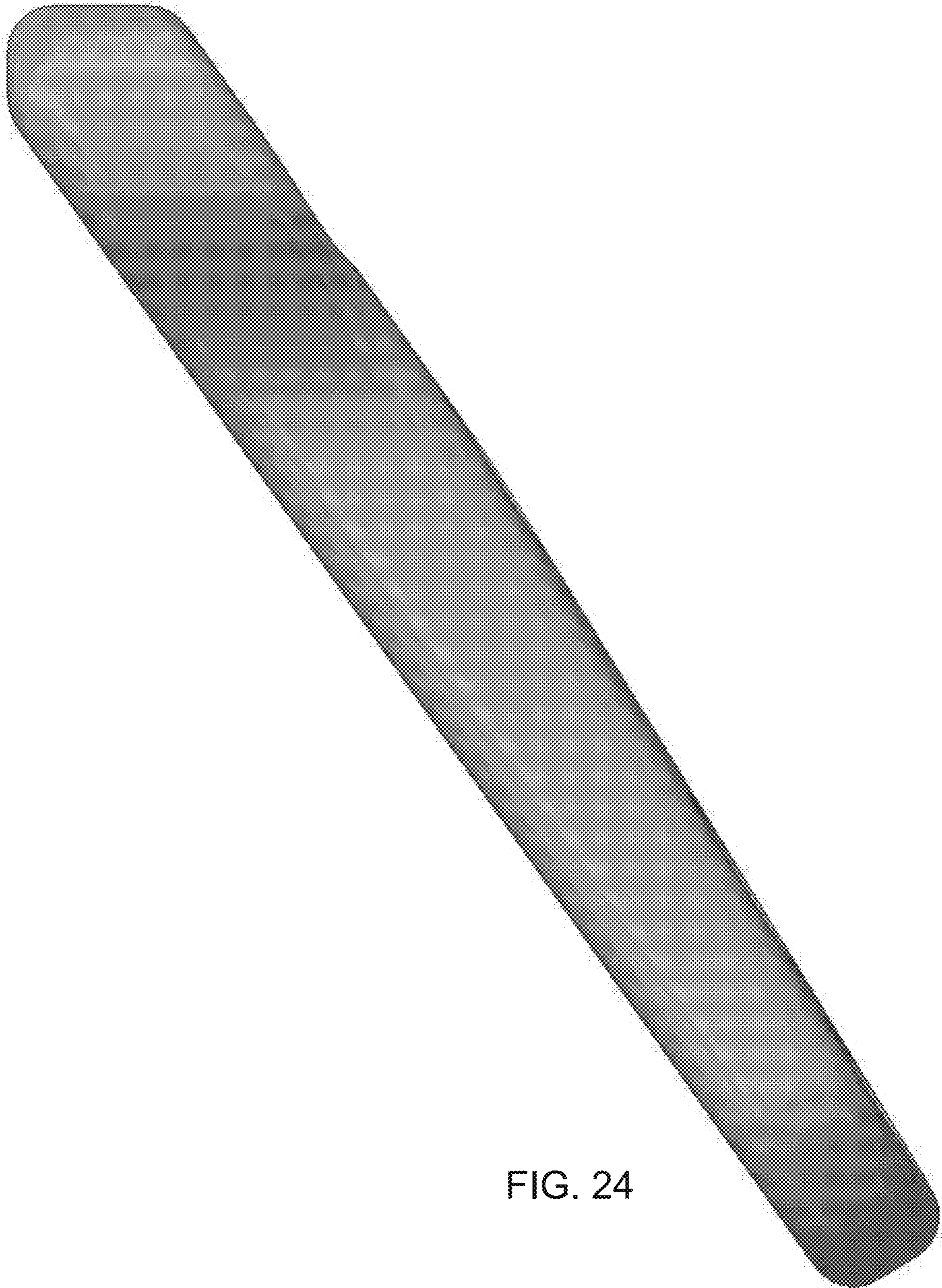


FIG. 24



FIG. 25

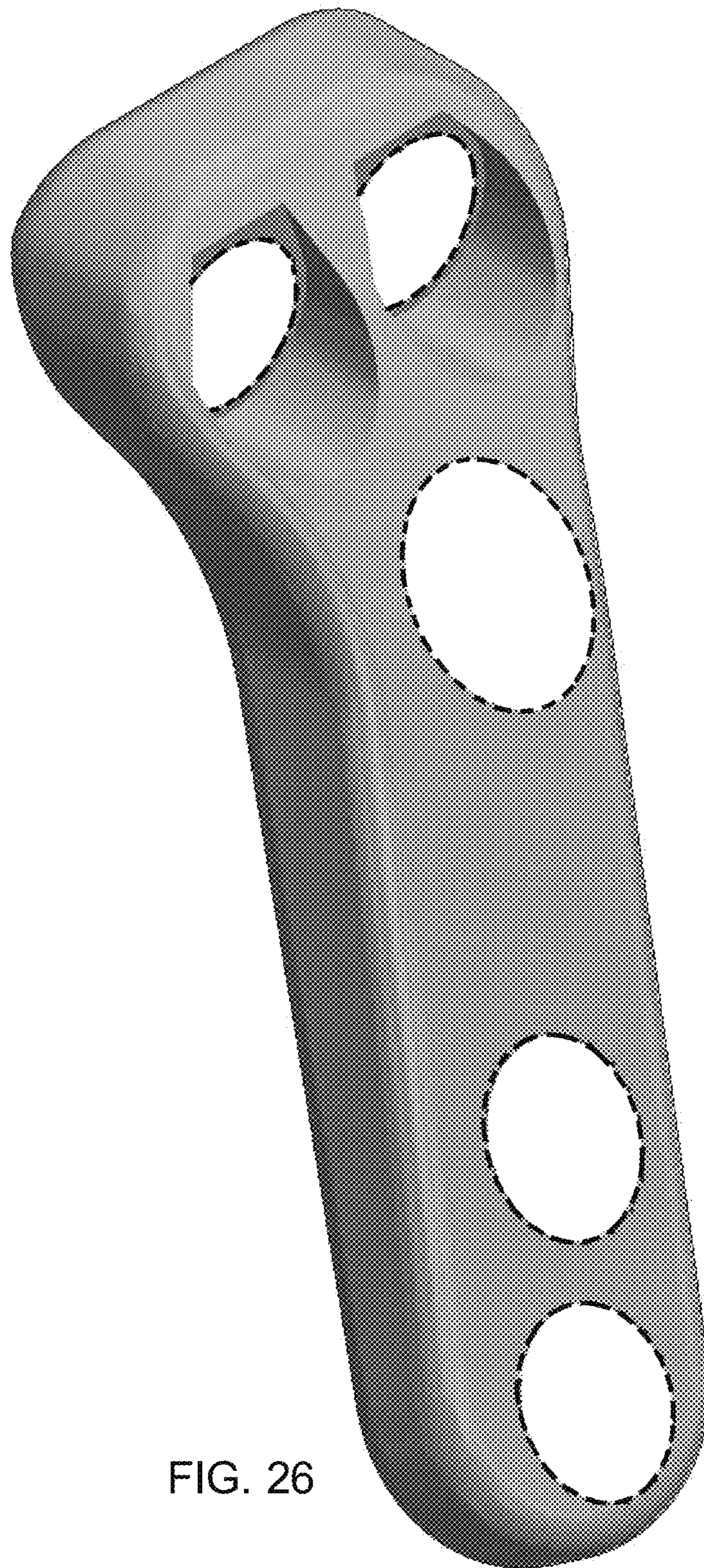


FIG. 26

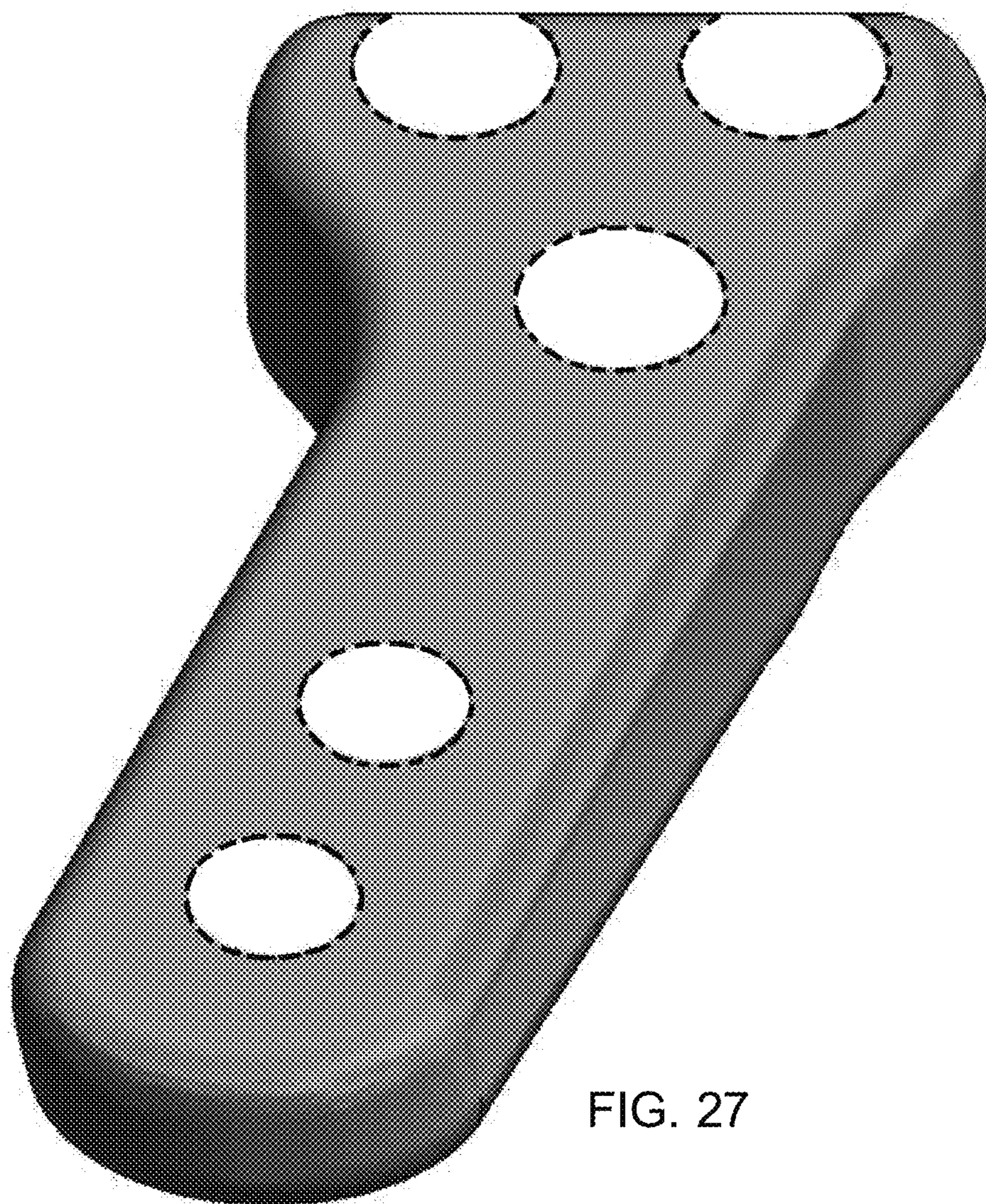


FIG. 27

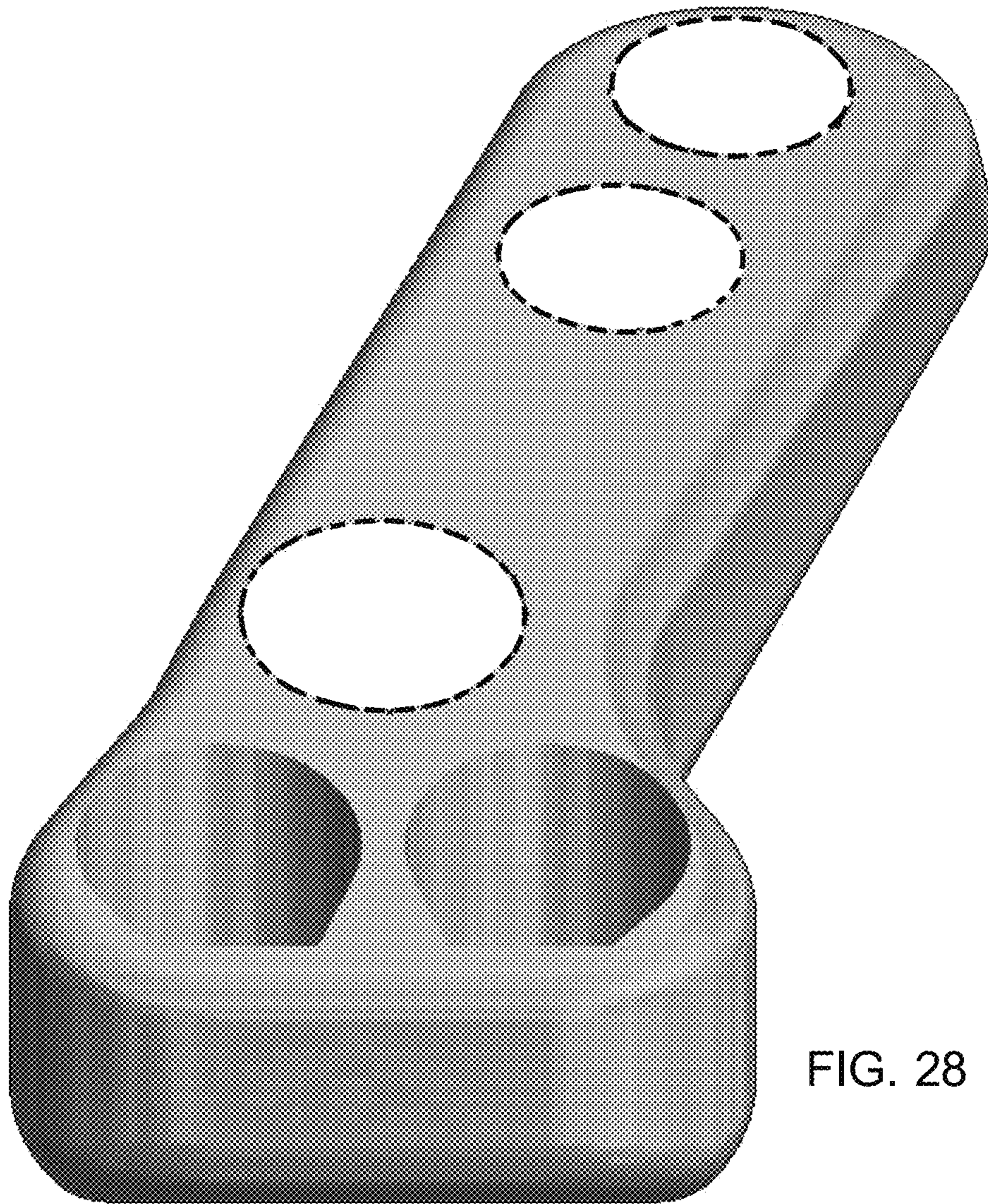


FIG. 28