



US00D870284S

(12) **United States Design Patent**
Hollis et al.

(10) **Patent No.:** **US D870,284 S**

(45) **Date of Patent:** **** Dec. 17, 2019**

- (54) **OSTEOSYNTHESIS CLIP** 7,398,907 B2 * 7/2008 Racenet A61B 17/0644
227/176.1
- (71) Applicant: **CROSSROADS EXTREMITY SYSTEMS, LLC**, Memphis, TN (US) D625,417 S * 10/2010 Fox D24/171
8,137,351 B2 3/2012 Prandi
8,540,778 B2 9/2013 Rhodes
9,017,331 B2 * 4/2015 Fox A61B 17/0642
606/75
- (72) Inventors: **Michael Chad Hollis**, Collierville, TN (US); **Vernon R. Hartdegen**, Collierville, TN (US) 9,095,338 B2 8/2015 Taylor
9,101,349 B2 8/2015 Knight
9,107,661 B2 * 8/2015 Euteneuer A61B 17/0642
9,271,726 B2 * 3/2016 Euteneuer A61B 17/0642
9,295,463 B2 * 3/2016 Viola A61B 17/0057
- (73) Assignee: **CROSSROADS EXTREMITY SYSTEMS, LLC**, Memphis, TN (US) (Continued)

(**) Term: **15 Years**

(21) Appl. No.: **29/612,208**

(22) Filed: **Jul. 31, 2017**

(51) **LOC (12) Cl.** **24-03**

(52) **U.S. Cl.**
USPC **D24/155**

(58) **Field of Classification Search**
USPC D24/155-157
CPC A61B 17/0642; A61B 17/0682; A61B 17/0644; F16B 15/06
See application file for complete search history.

(56) **References Cited**

U.S. PATENT DOCUMENTS

- 3,636,954 A 1/1972 Weston
- 4,014,244 A * 3/1977 Larson F16B 15/06
411/451.3
- 4,434,796 A 3/1984 Karapetian
- D281,814 S * 12/1985 Pratt D24/145
- 4,719,917 A 1/1988 Barrows
- 5,015,135 A 5/1991 Chamings
- 5,785,713 A 7/1998 Jobe
- 6,626,916 B1 9/2003 Yeung
- D484,032 S * 12/2003 Del Re D8/390
- 7,240,677 B2 7/2007 Fox

FOREIGN PATENT DOCUMENTS

- DE 10116168 11/2001
- EP 826340 3/1998

(Continued)

Primary Examiner — Charles D Hanson

(74) *Attorney, Agent, or Firm* — Maywood IP Law; G. Jo Hays; David W. Meibos

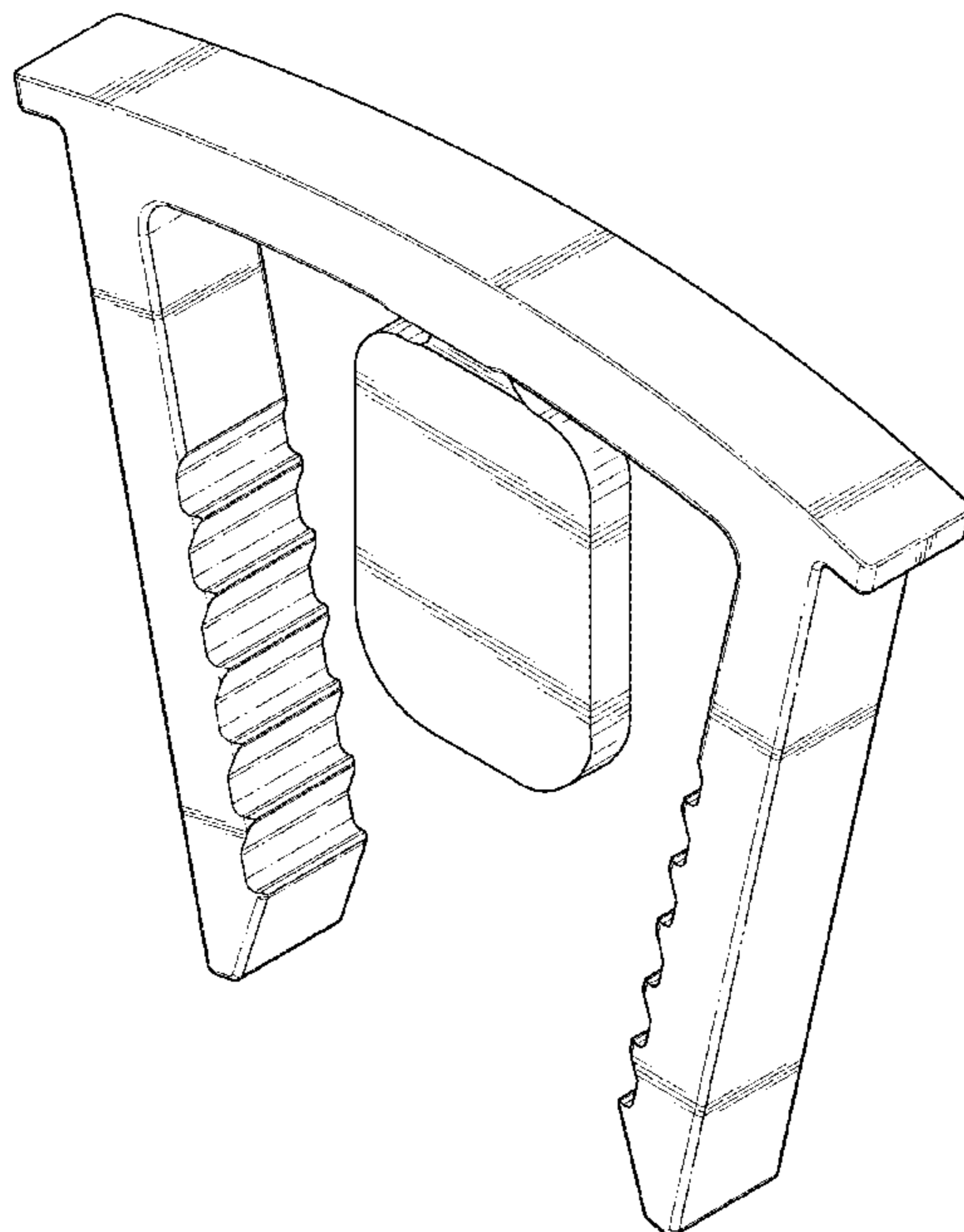
(57) **CLAIM**

The ornamental design for an osteosynthesis clip, as shown and described.

DESCRIPTION

FIG. 1 is a top perspective view of an osteosynthesis clip; FIG. 2 is a bottom perspective view of the osteosynthesis clip of FIG. 1; FIG. 3 is a front view of the osteosynthesis clip of FIG. 1; FIG. 4 is a back view of the osteosynthesis clip of FIG. 1; FIG. 5 is a left view of the osteosynthesis clip of FIG. 1; FIG. 6 is a right view of the osteosynthesis clip of FIG. 1; FIG. 7 is a top view of the osteosynthesis clip of FIG. 1; and, FIG. 8 is a bottom view of the osteosynthesis clip of FIG. 1.

1 Claim, 6 Drawing Sheets



(56)

References Cited

U.S. PATENT DOCUMENTS

9,402,624	B1 *	8/2016	Scott	A61B 17/0642
D780,311	S *	2/2017	Cheney	D24/155
9,855,036	B2 *	1/2018	Palmer	A61B 17/0642
10,016,198	B2 *	7/2018	Morgan	A61B 17/068
2005/0021035	A1	1/2005	Groiso	
2008/0015598	A1	1/2008	Prommersberger	
2009/0254090	A1	10/2009	Lizee	
2010/0069928	A1	3/2010	Bauer	
2010/0133316	A1	6/2010	Lizee	
2012/0228355	A1	9/2012	Combrowski	
2013/0068815	A1	3/2013	Bruewer	
2015/0313592	A1	11/2015	Coillard-Lavirotte	
2015/0359534	A1	12/2015	Gibbons, Jr.	
2016/0089138	A1	3/2016	Early	
2017/0007305	A1	1/2017	Hollis	

FOREIGN PATENT DOCUMENTS

WO	WO1992017122	10/1992
WO	WO2008129061	10/2008
WO	WO2010004602	1/2010
WO	WO2012088575	7/2012
WO	WO2016007624	1/2016
WO	WO2016007626	1/2016
WO	WO2017139328	8/2017

* cited by examiner

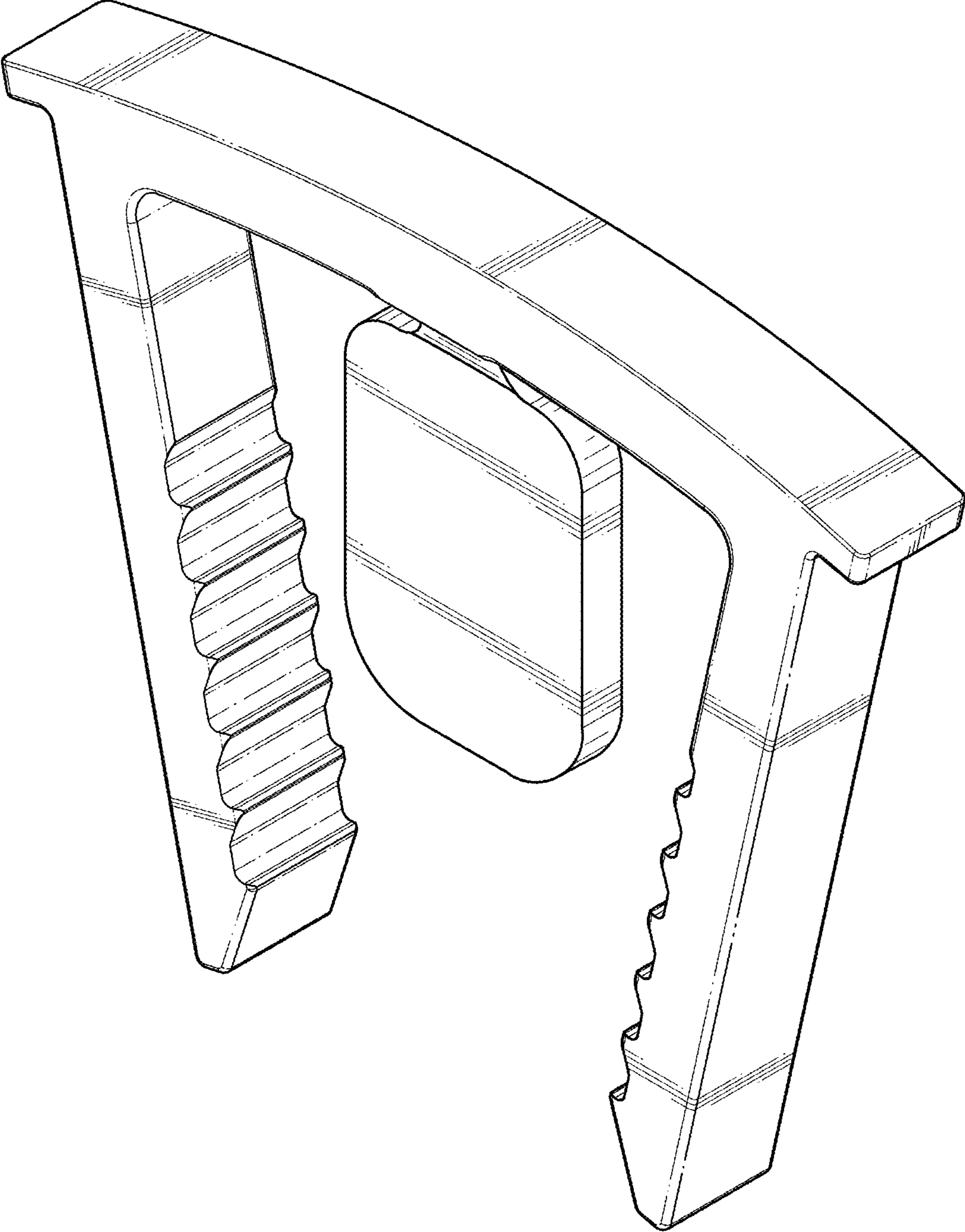


FIG. 1

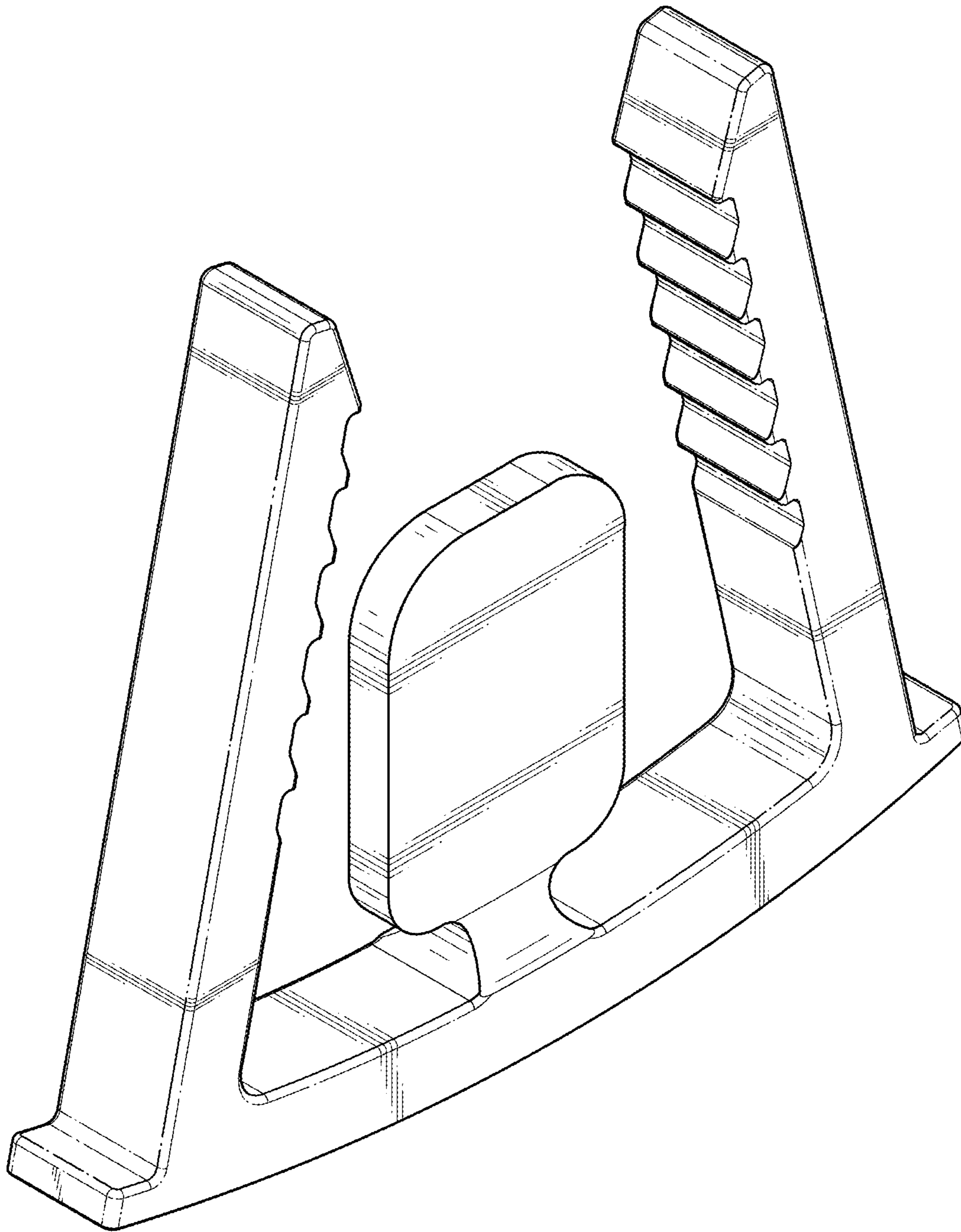


FIG. 2

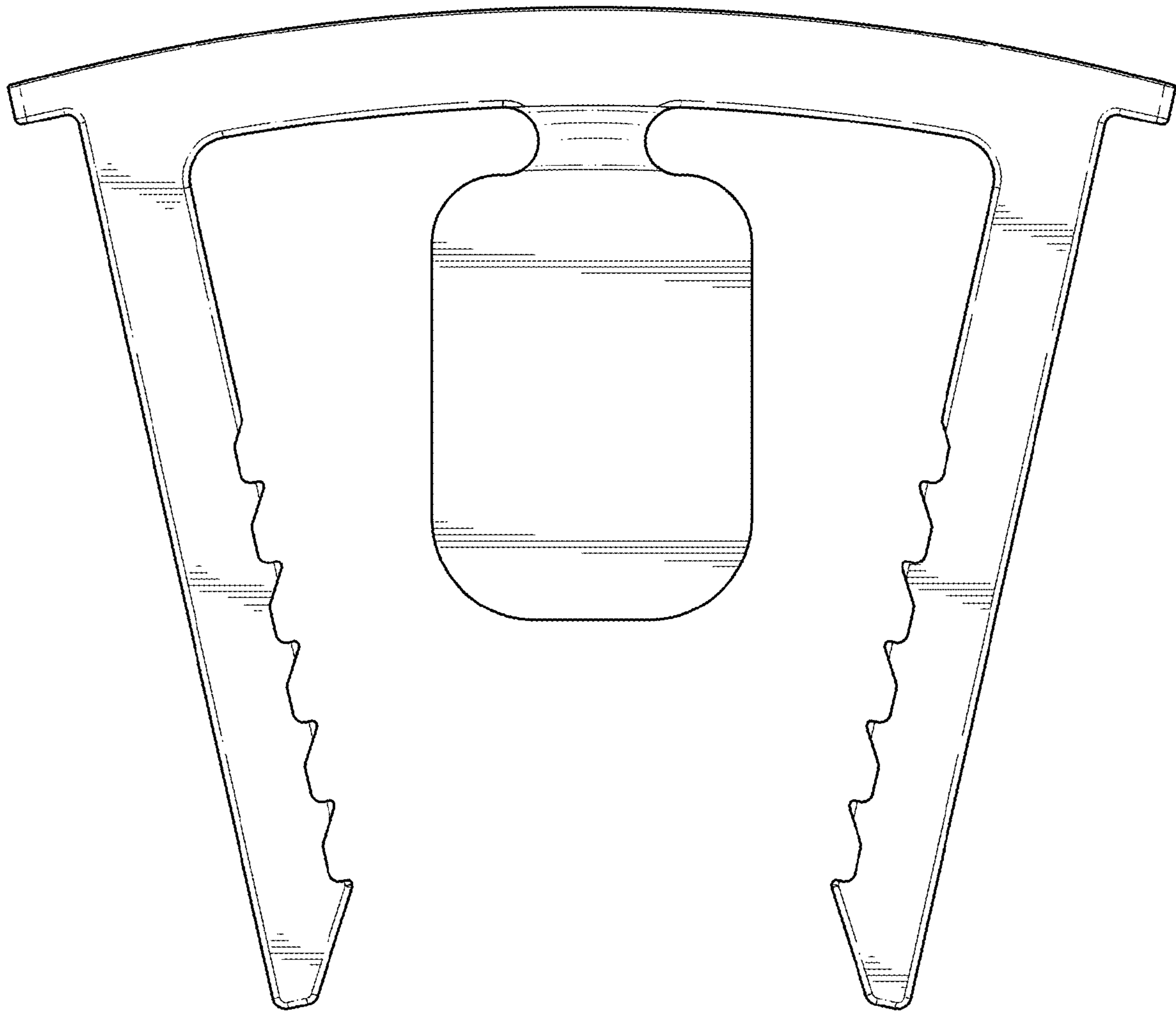


FIG. 3

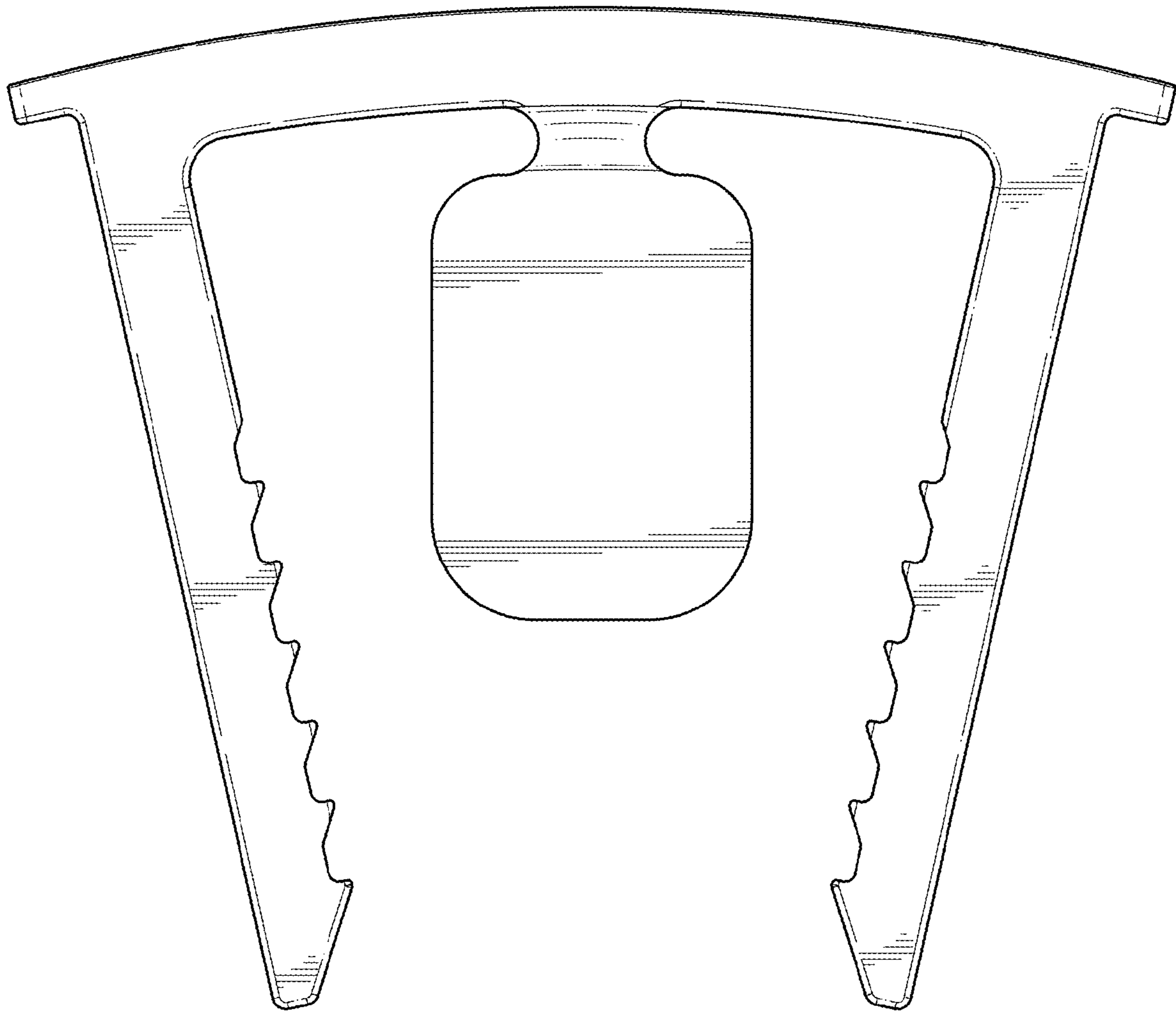


FIG. 4

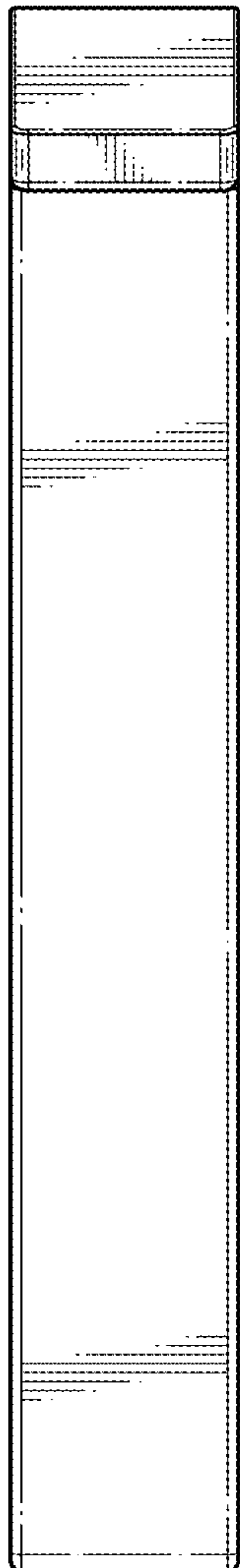


FIG. 5

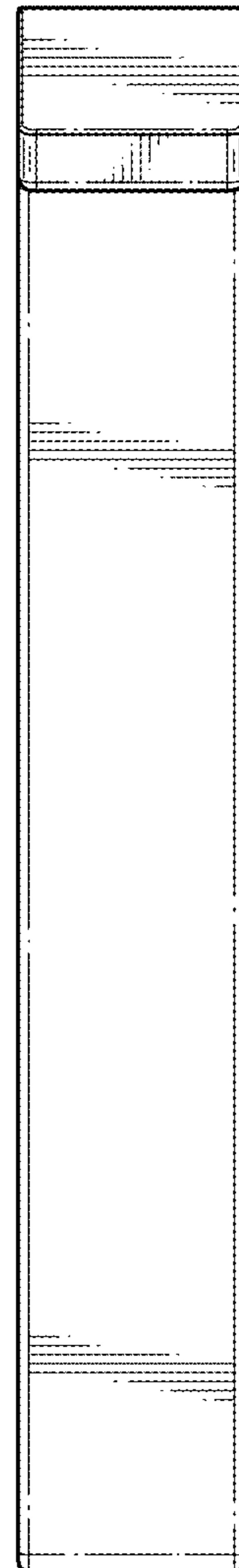


FIG. 6

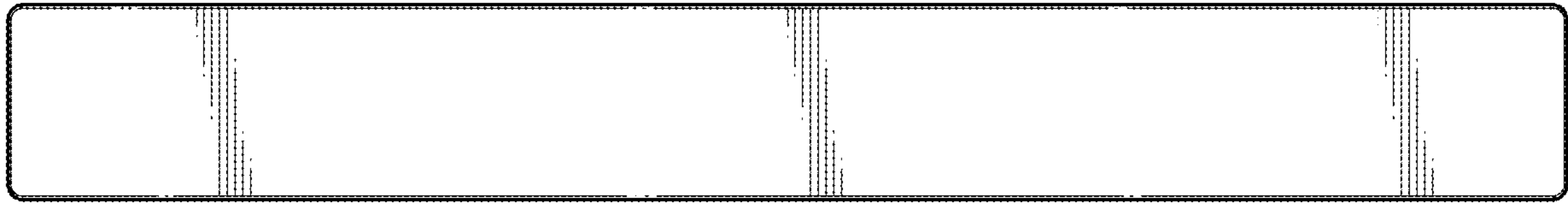


FIG. 7

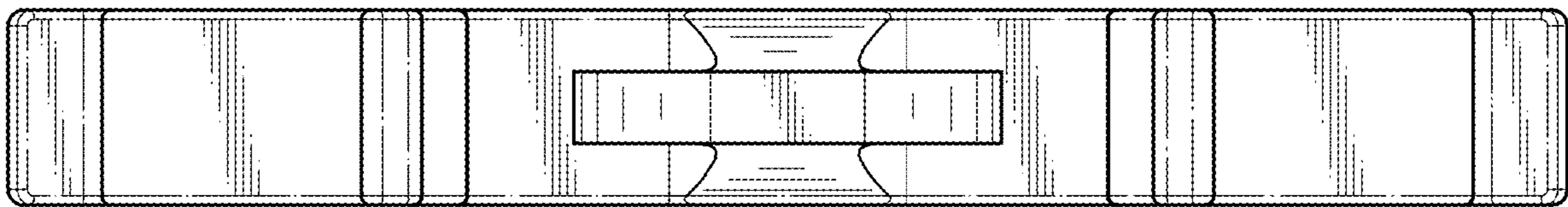


FIG. 8