



US00D870281S

(12) **United States Design Patent** (10) **Patent No.:** **US D870,281 S**
Roychowdhury et al. (45) **Date of Patent:** **** Dec. 17, 2019**

(54) **FITTING FOR AN ENDOSCOPE DEVICE HAVING A TAB**

Primary Examiner — Eliza Z Bennett-Hattan
(74) *Attorney, Agent, or Firm* — Sorell, Lenna & Schmidt, LLP; William D. Schmidt

(71) Applicant: **MEDIVATORS INC.**, Minneapolis, MN (US)

(72) Inventors: **Suranjan Roychowdhury**, Plymouth, MN (US); **John Schreiner**, Montgomery, TX (US)

(57) **CLAIM**

The ornamental design for a fitting for an endoscope device having a tab, as shown and described.

(73) Assignee: **Medivators Inc.**, Minneapolis, MN (US)

DESCRIPTION

(**) Term: **15 Years**

(21) Appl. No.: **29/605,530**

(22) Filed: **May 26, 2017**

(51) **LOC (12) Cl.** **24-02**

(52) **U.S. Cl.**
USPC **D24/138**

(58) **Field of Classification Search**
USPC D24/138, 137, 127, 113, 108, 133
(Continued)

FIG. 1 is a perspective view of a fitting for an endoscope device having a tab;
FIG. 2 is a front view of the fitting for an endoscope device having a tab;
FIG. 3 is a back view of the fitting for an endoscope device having a tab;
FIG. 4 is a left view of the fitting for an endoscope device having a tab;
FIG. 5 is a right view of the fitting for an endoscope device having a tab;
FIG. 6 is a top view of the fitting for an endoscope device having a tab;
FIG. 7 is a bottom view of the fitting for an endoscope device having a tab;
FIG. 8 is a perspective view of the fitting for an endoscope device having a tab;
FIG. 9 is a front view of the fitting for an endoscope device having a tab;
FIG. 10 is a back view of the fitting for an endoscope device having a tab;
FIG. 11 is a left view of the fitting for an endoscope device having a tab;
FIG. 12 is a right view of the fitting for an endoscope device having a tab;
FIG. 13 is a top view of the fitting for an endoscope device having a tab; and,
FIG. 14 is a bottom view of the fitting for an endoscope device having a tab.

The broken lines of the figures depict unclaimed portions of the fitting for an endoscope device having a tab only and form no part of the claimed design.

(56) **References Cited**

U.S. PATENT DOCUMENTS

1,675,469 A * 7/1928 Schreiner B23B 51/0406
408/200

3,583,393 A 6/1971 Takahashi
(Continued)

FOREIGN PATENT DOCUMENTS

CA 2800198 A1 12/2011
CN 102811656 A 12/2012

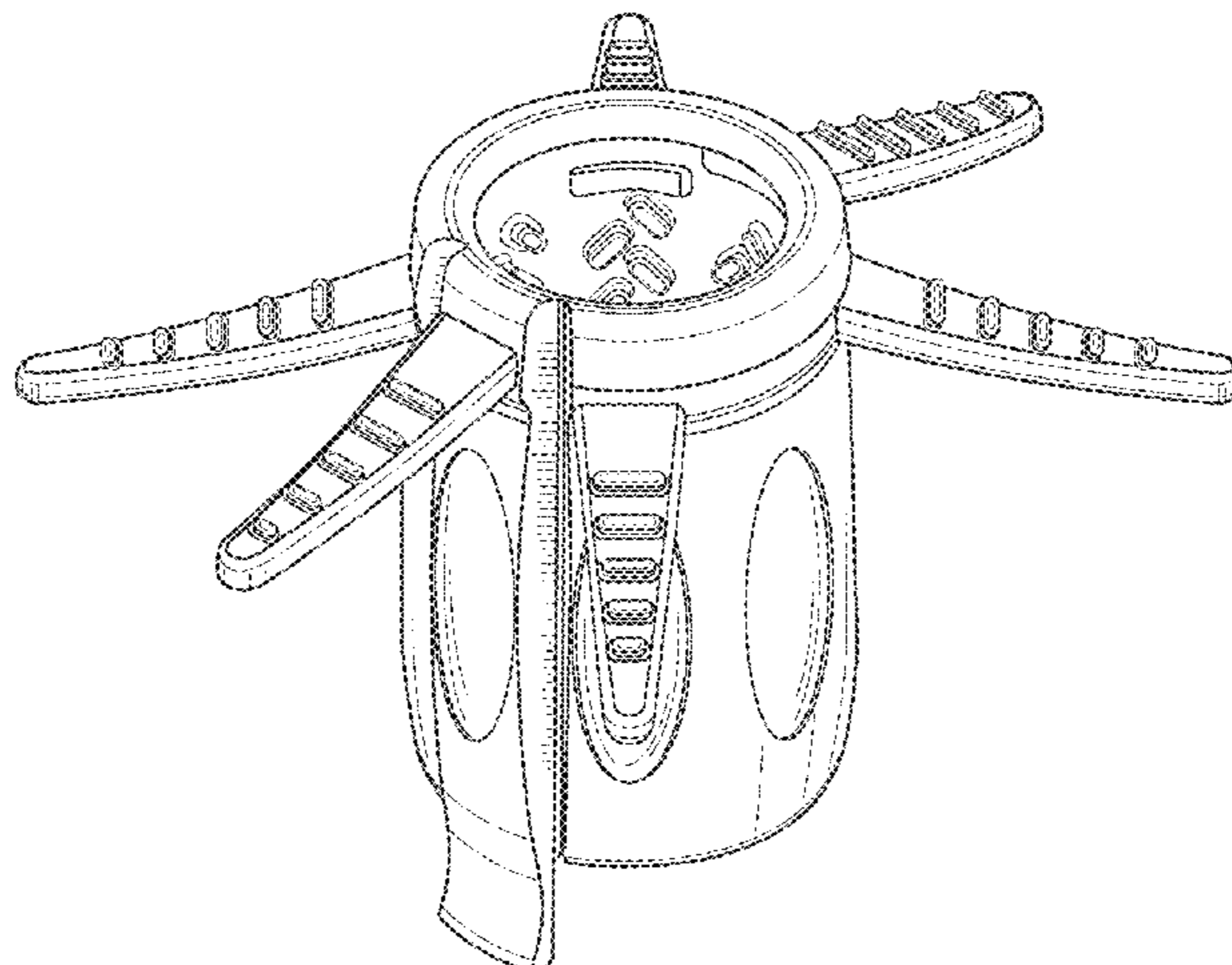
(Continued)

OTHER PUBLICATIONS

Certificate of Registration of Registered Community Design issued by the European Union Intellectual Property Office, Registration No. 003996362-0001, registered May 11, 2017.

(Continued)

1 Claim, 14 Drawing Sheets



(58) **Field of Classification Search**
 CPC A61B 1/00126
 See application file for complete search history.

2013/0090527 A1 4/2013 Axon
 2014/0296643 A1 10/2014 Levy et al.
 2015/0148606 A1 5/2015 Rottenberg et al.
 2018/0168437 A1* 6/2018 Schreiner A61B 1/00101

(56) **References Cited**

U.S. PATENT DOCUMENTS

3,717,151 A 2/1973 Collett
 D241,984 S * 10/1976 Lahay D24/127
 D242,491 S * 11/1976 Campagna D24/127
 4,207,872 A 6/1980 Meiri et al.
 4,630,175 A 12/1986 Lerude et al.
 5,018,509 A 5/1991 Suzuki et al.
 5,752,912 A 5/1998 Takahashi et al.
 D397,436 S * 8/1998 Michelson D24/133
 5,817,062 A 10/1998 Flom et al.
 5,924,978 A 7/1999 Koeda et al.
 6,293,907 B1 9/2001 Axon et al.
 6,589,213 B2 7/2003 Reydel
 D484,241 S * 12/2003 Peters D24/108
 6,767,339 B2 7/2004 Reydel
 6,916,284 B2 7/2005 Hiroki
 6,929,601 B2 8/2005 Nakao
 D616,094 S * 5/2010 Boone, III D24/133
 D637,288 S * 5/2011 Houghton D24/133
 8,038,604 B2 10/2011 Hamazaki et al.
 D650,074 S * 12/2011 Hunt D24/133
 D650,075 S * 12/2011 Anglay D24/130
 8,142,348 B2 3/2012 Miyoshi
 8,348,889 B2 1/2013 Salemi et al.
 D747,457 S * 1/2016 Glace D24/108
 D757,935 S * 5/2016 Solingen D24/133
 9,347,855 B2 5/2016 Kell et al.
 D816,215 S * 4/2018 Dolgin D24/127
 2003/0187326 A1 10/2003 Chang
 2004/0077926 A1 4/2004 Moriyama
 2004/0210110 A1 10/2004 Nakao
 2005/0049624 A1 3/2005 Francese et al.
 2006/0173241 A1 8/2006 Ouchi et al.
 2006/0258902 A1 11/2006 Spivey et al.
 2007/0282255 A1 12/2007 Salemi
 2008/0108871 A1 5/2008 Mohr
 2008/0215036 A1 9/2008 Vogel et al.
 2008/0243106 A1 10/2008 Coe et al.
 2009/0048483 A1 2/2009 Yamamoto
 2009/0112063 A1 4/2009 Bakos et al.
 2010/0130821 A1 5/2010 Rosemurgy et al.
 2011/0174313 A1 7/2011 VonPechmann et al.

FOREIGN PATENT DOCUMENTS

CN 102905608 B 11/2015
 EP 2575590 A2 4/2013
 GB 2478081 8/2011
 JP H0777576 B2 8/1995
 JP 2003033319 2/2003
 JP 2003339631 A 12/2003
 WO 200013736 3/2000
 WO 2007103999 9/2007
 WO 2011019388 2/2011
 WO 2011039756 4/2011
 WO 2011085319 7/2011
 WO 2011148172 12/2011
 WO 2015127265 8/2015
 WO 20160209240 A1 12/2016
 WO 20160210306 A1 12/2016

OTHER PUBLICATIONS

Certificate of Registration of Registered Community Design issued by the European Union Intellectual Property Office, Registration No. 003996362-0002, registered May 11, 2017.
 Certificate of Registration of Registered Community Design issued by the European Union Intellectual Property Office, Registration No. 003996362-0003, registered May 11, 2017.
 Certificate of Registration of Registered Community Design issued by the European Union Intellectual Property Office, Registration No. 003996362-0004, registered May 11, 2017.
 Office Action and search report dated Jun. 3, 2019, in corresponding Chinese Application No. 2016800435960 filed Jan. 24, 2018.
 International Search Report and Written Opinion of the International Searching Authority (US) dated Oct. 28, 2016 of International Application No. PCT/US2016/039326 filed on Jun. 24, 2016.
 Opposition filed by Cantel (UK) Limited Sep. 14, 2016 in European Patent Application No. 11722861.9 filed May 24, 2011 (EP Patent EP2575590 of Arc Medical Design Limited).
 Extended European Search Report and Written Opinion of the European Searching Authority dated Jan. 7, 2019 off corresponding European Application No. 16815408.6 filed Dec. 19, 2017.

* cited by examiner

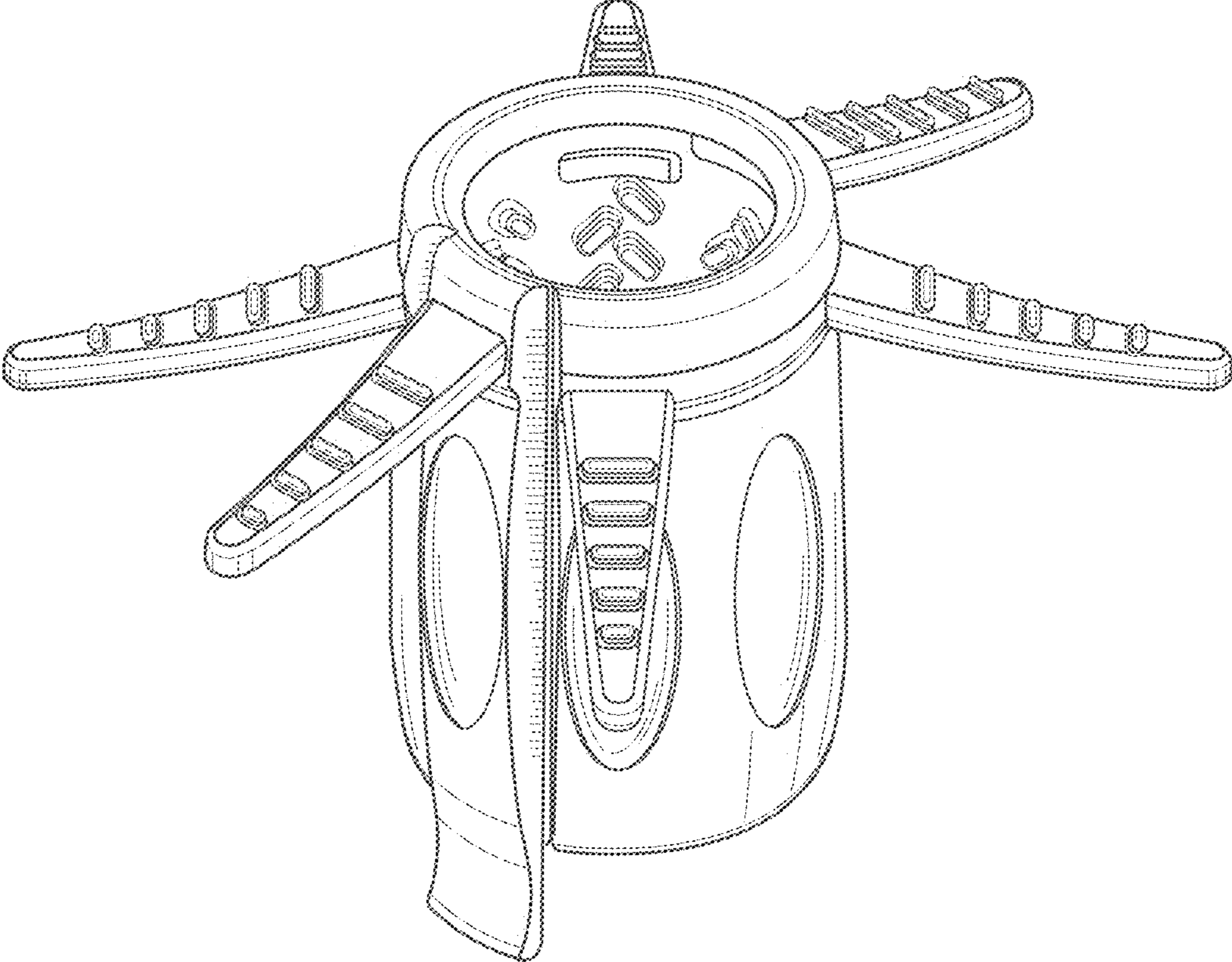


FIG. 1

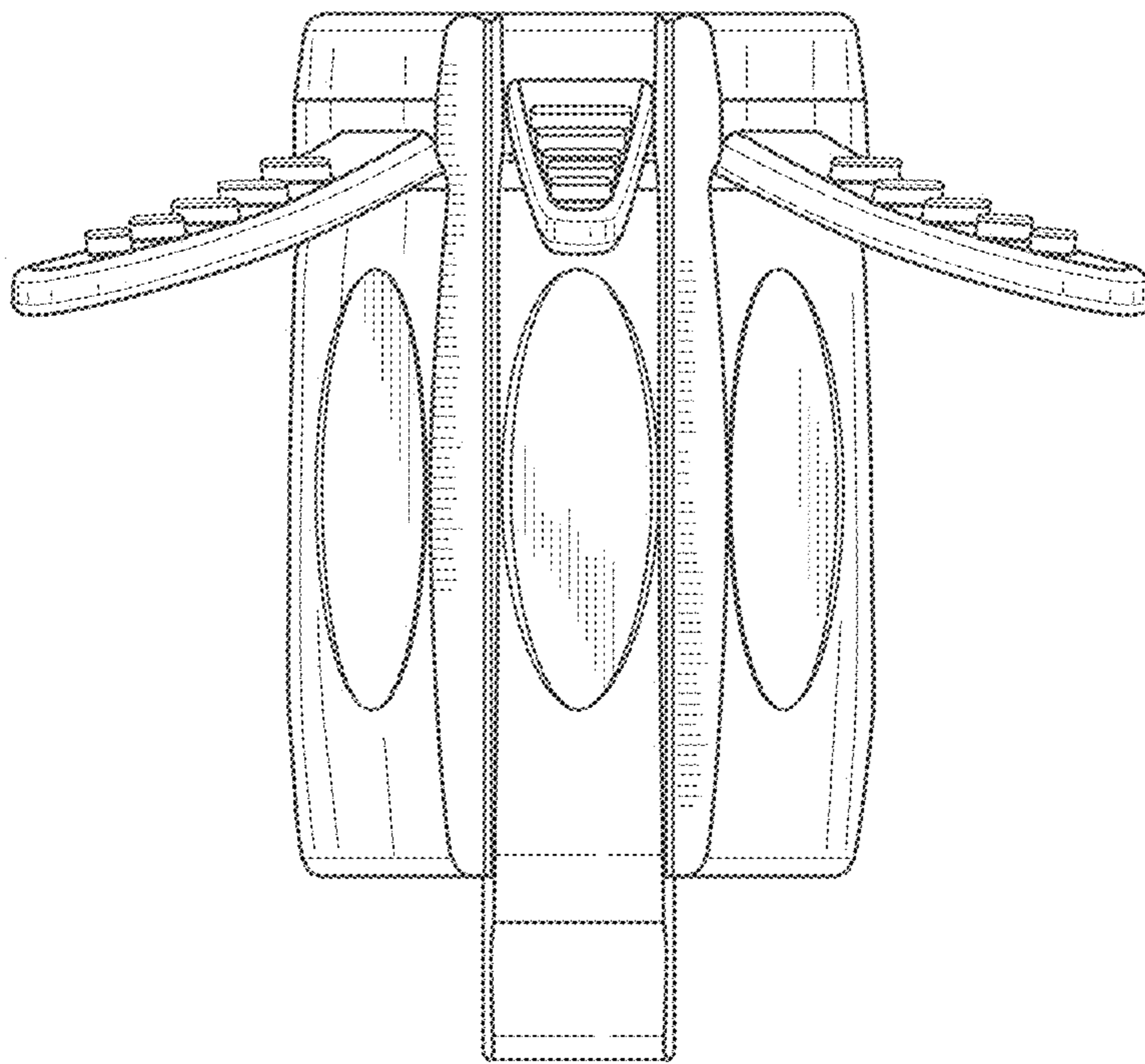


FIG. 2

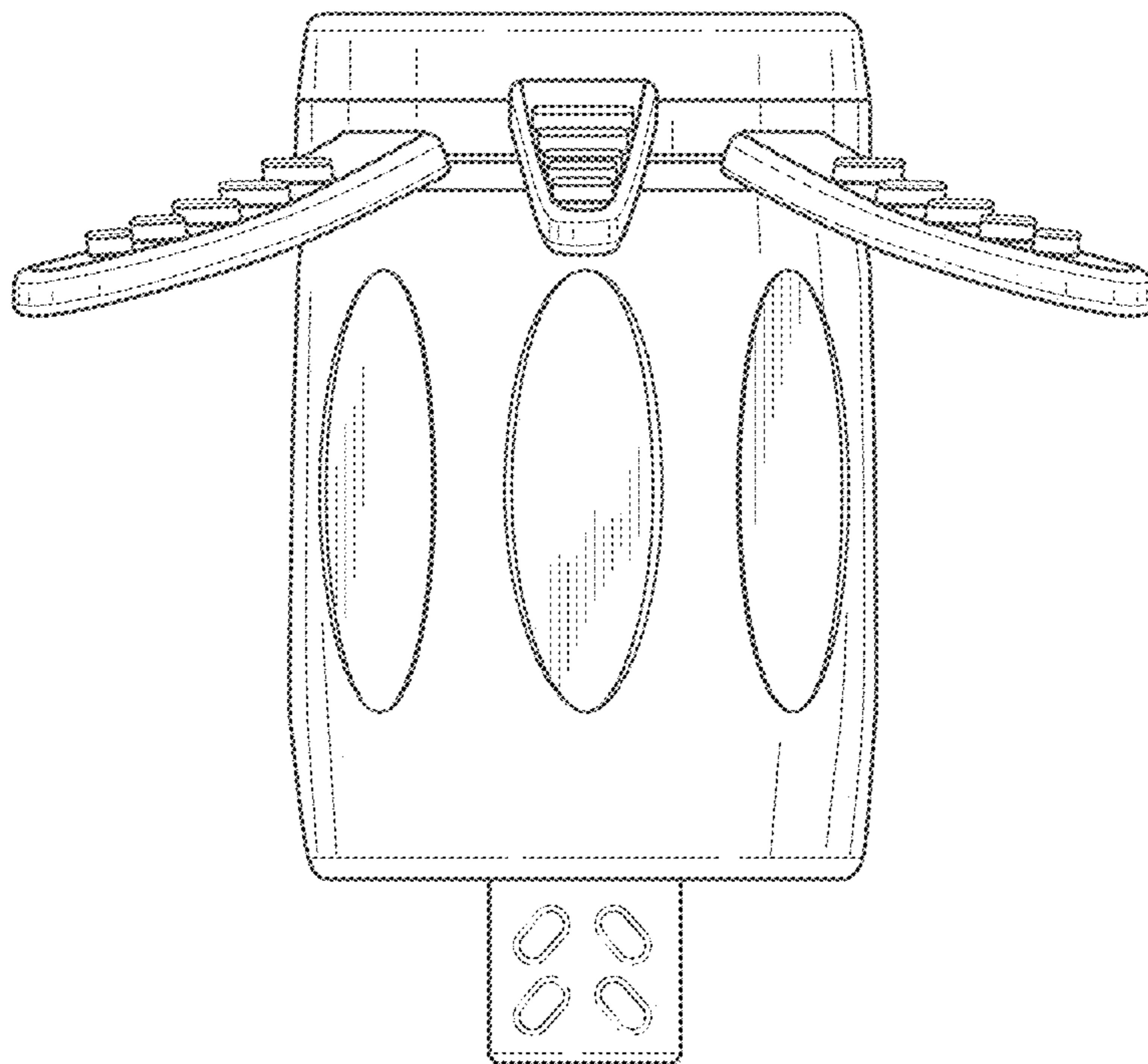


FIG. 3

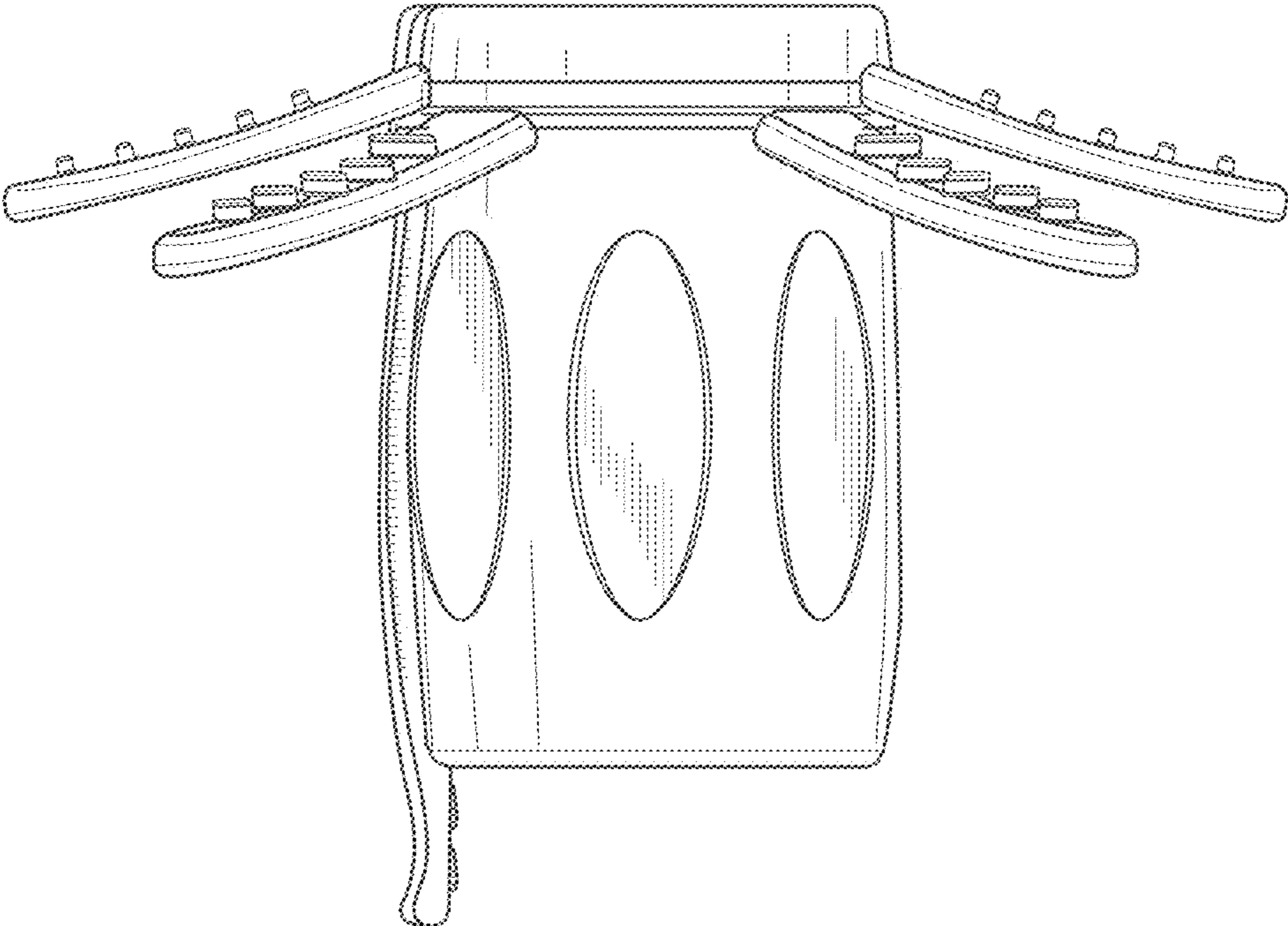


FIG. 4

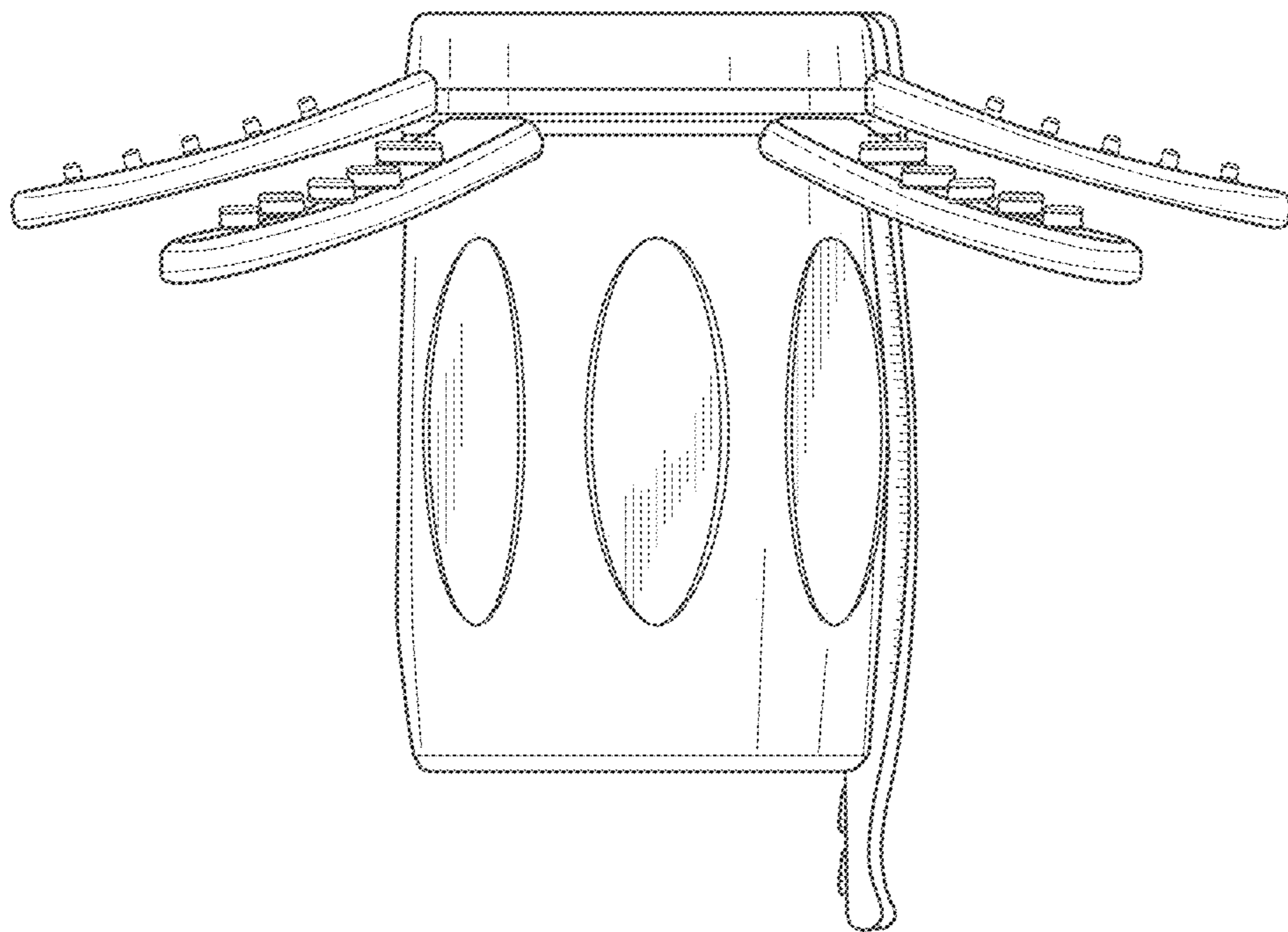


FIG. 5

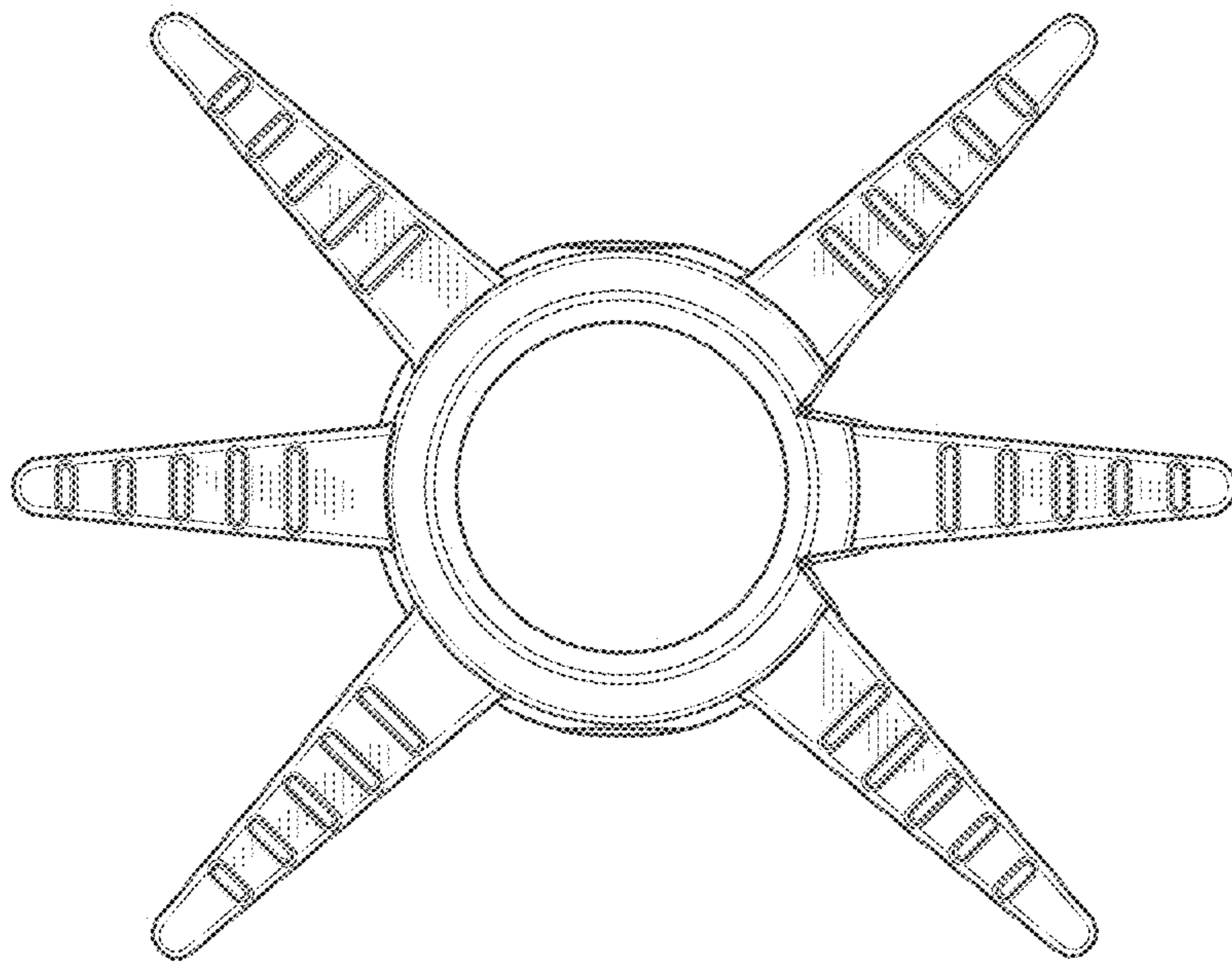


FIG. 6

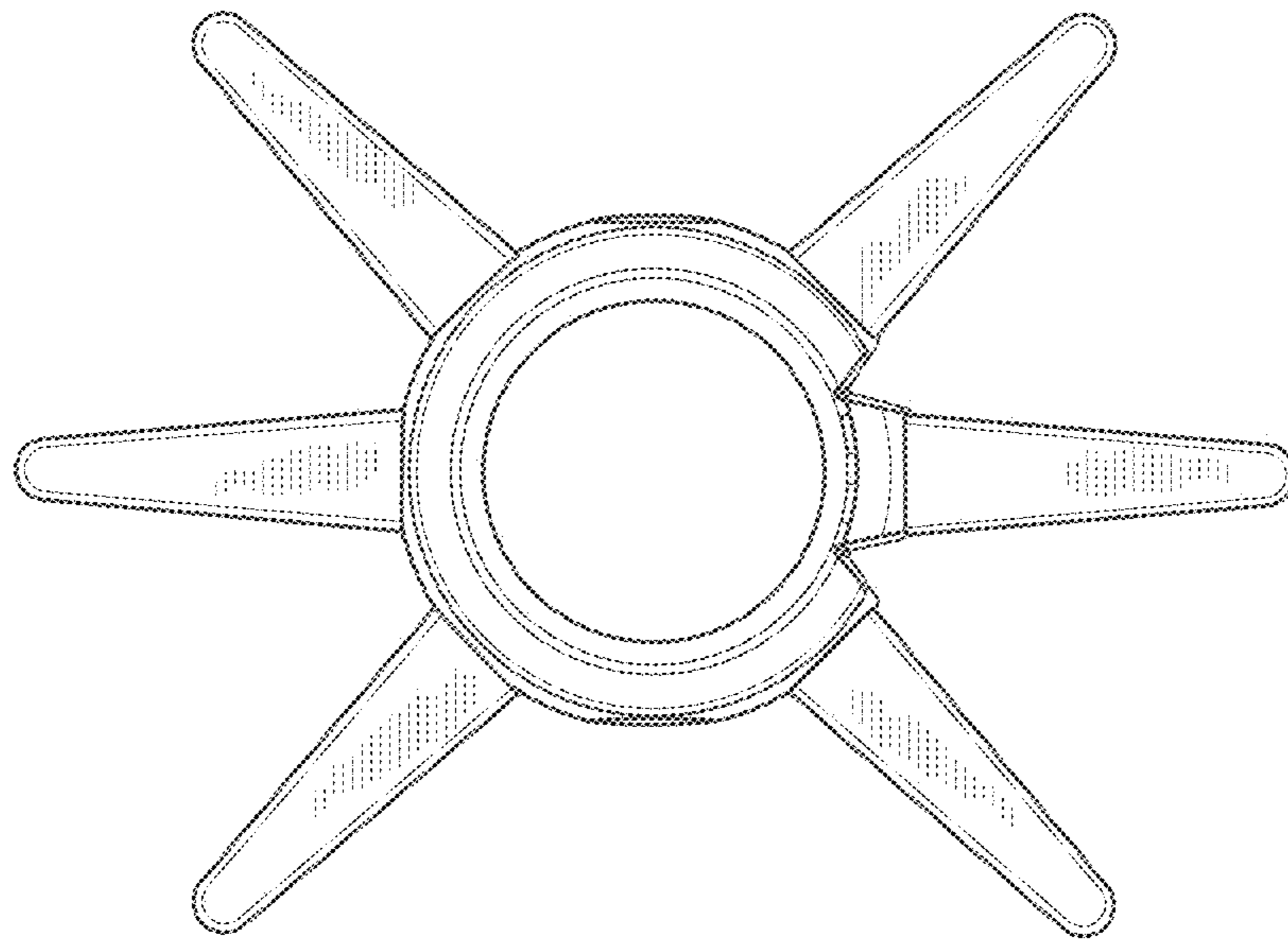


FIG. 7

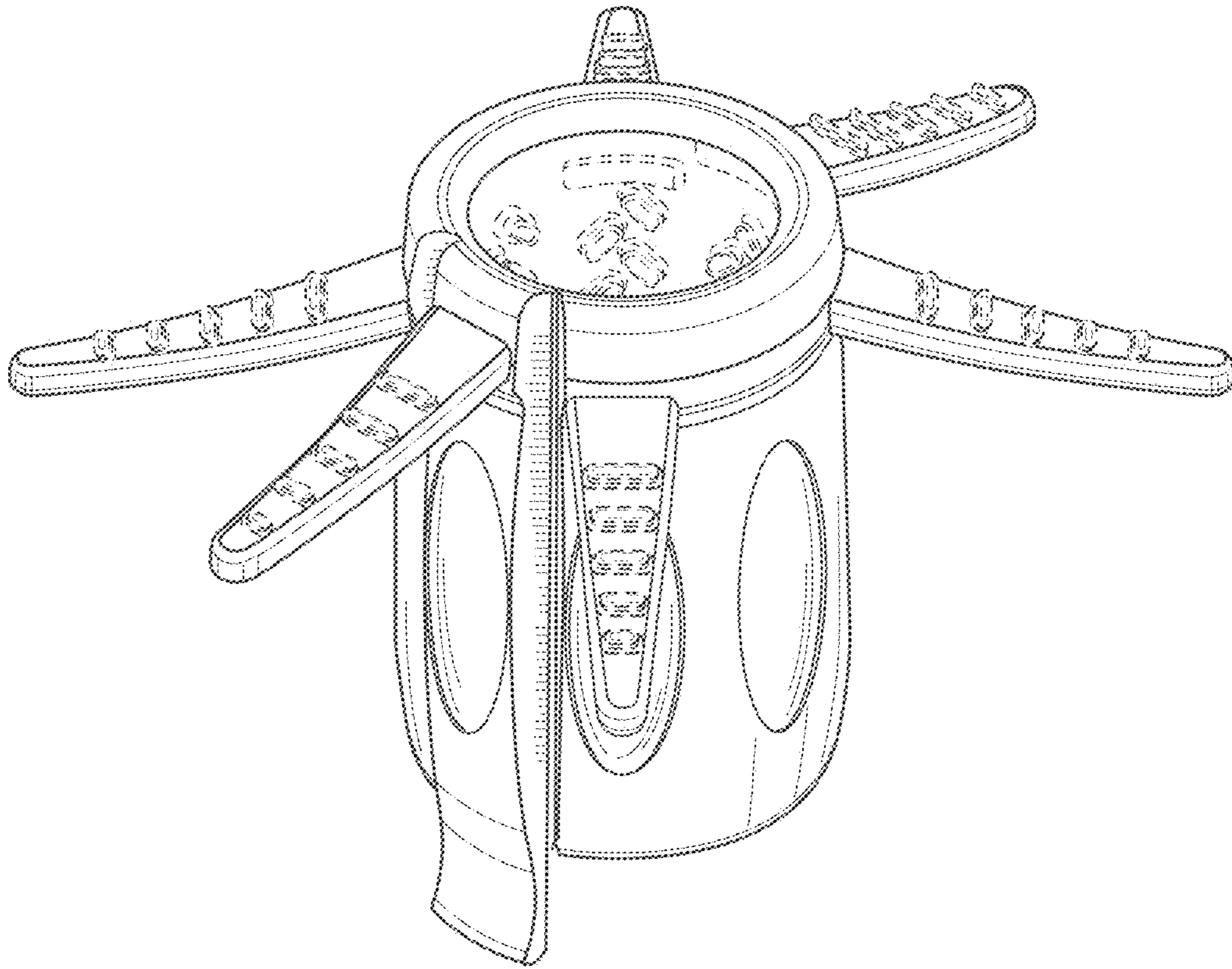


FIG. 8

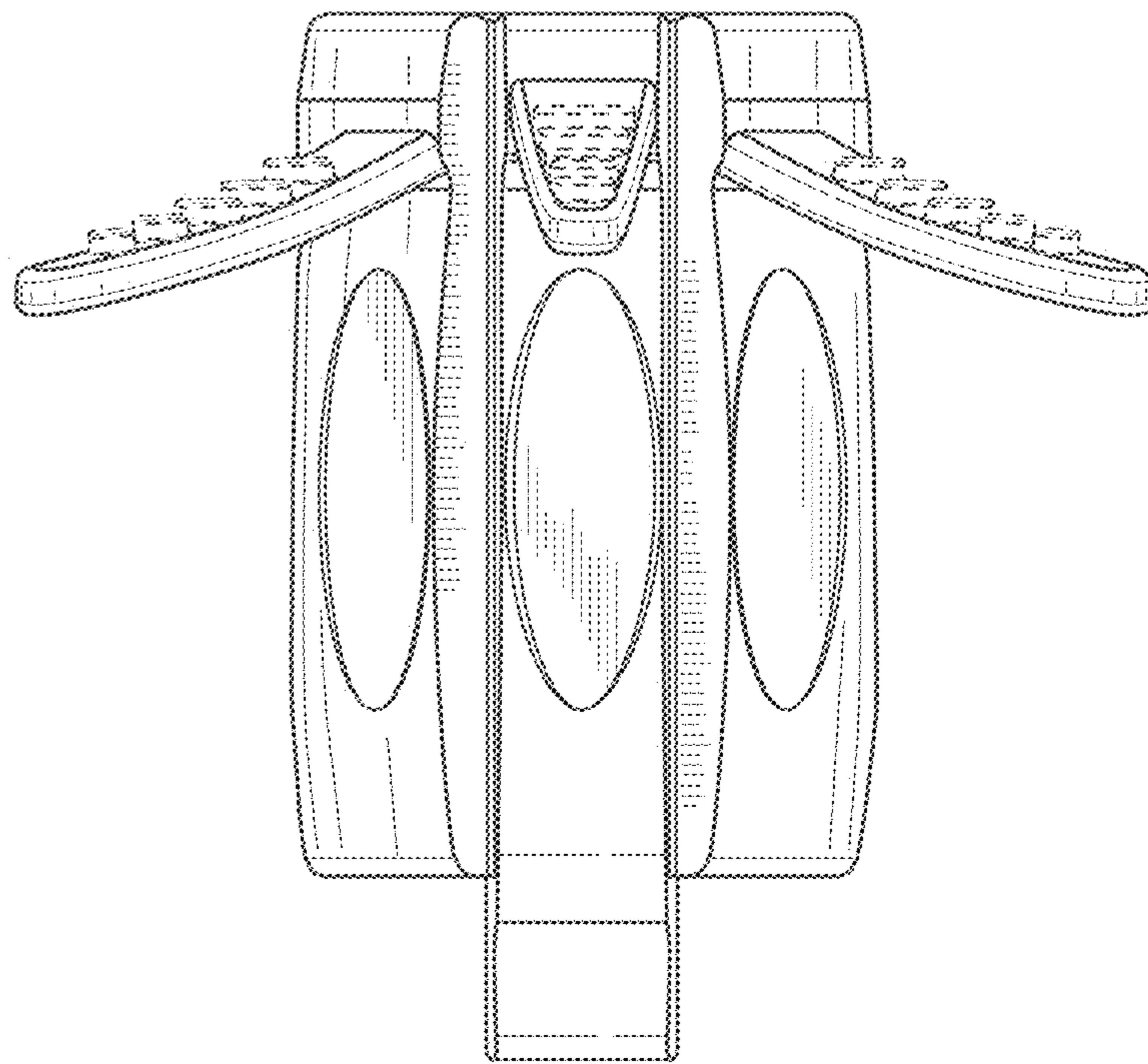


FIG. 9

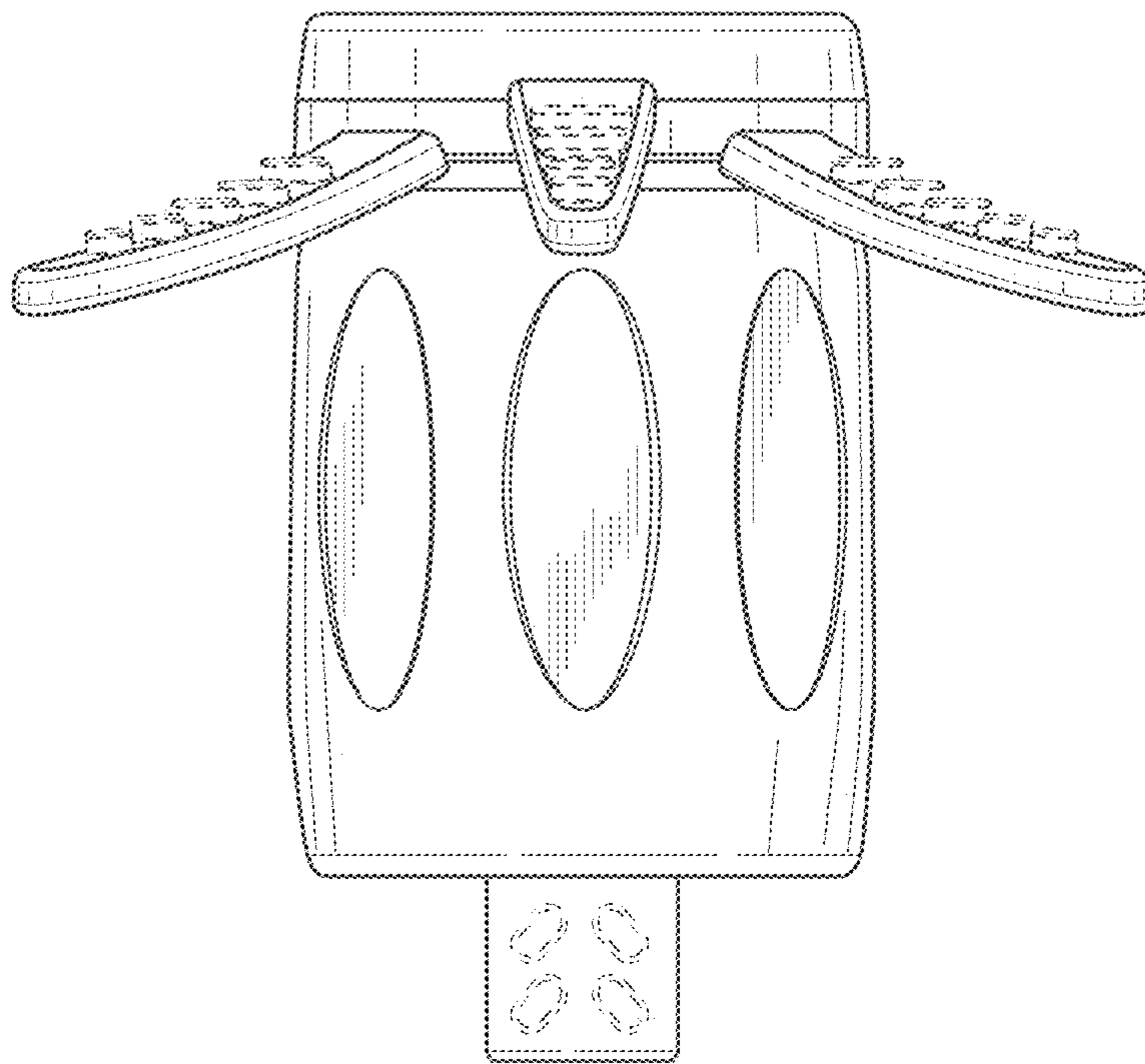


FIG. 10

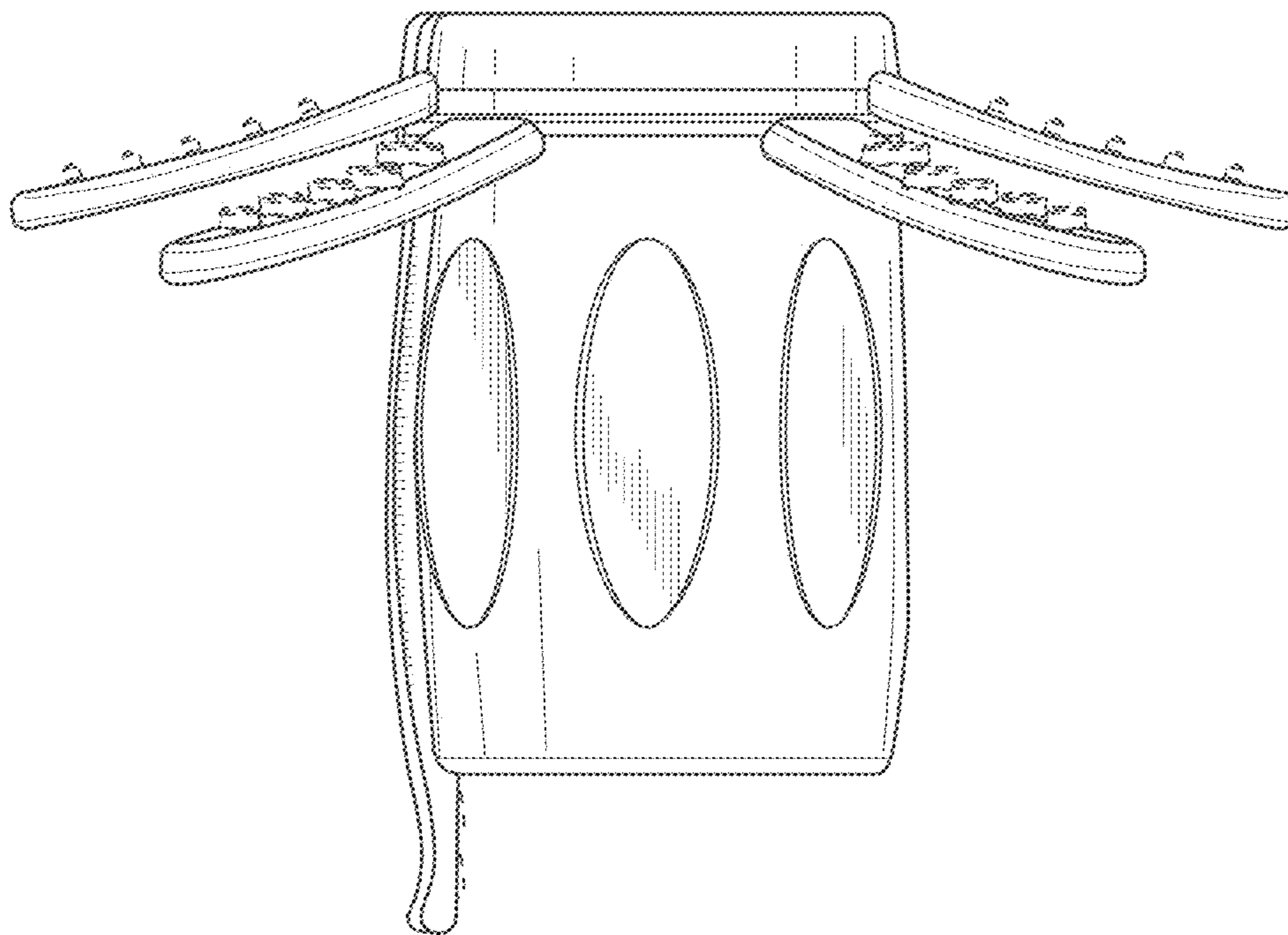


FIG. 11

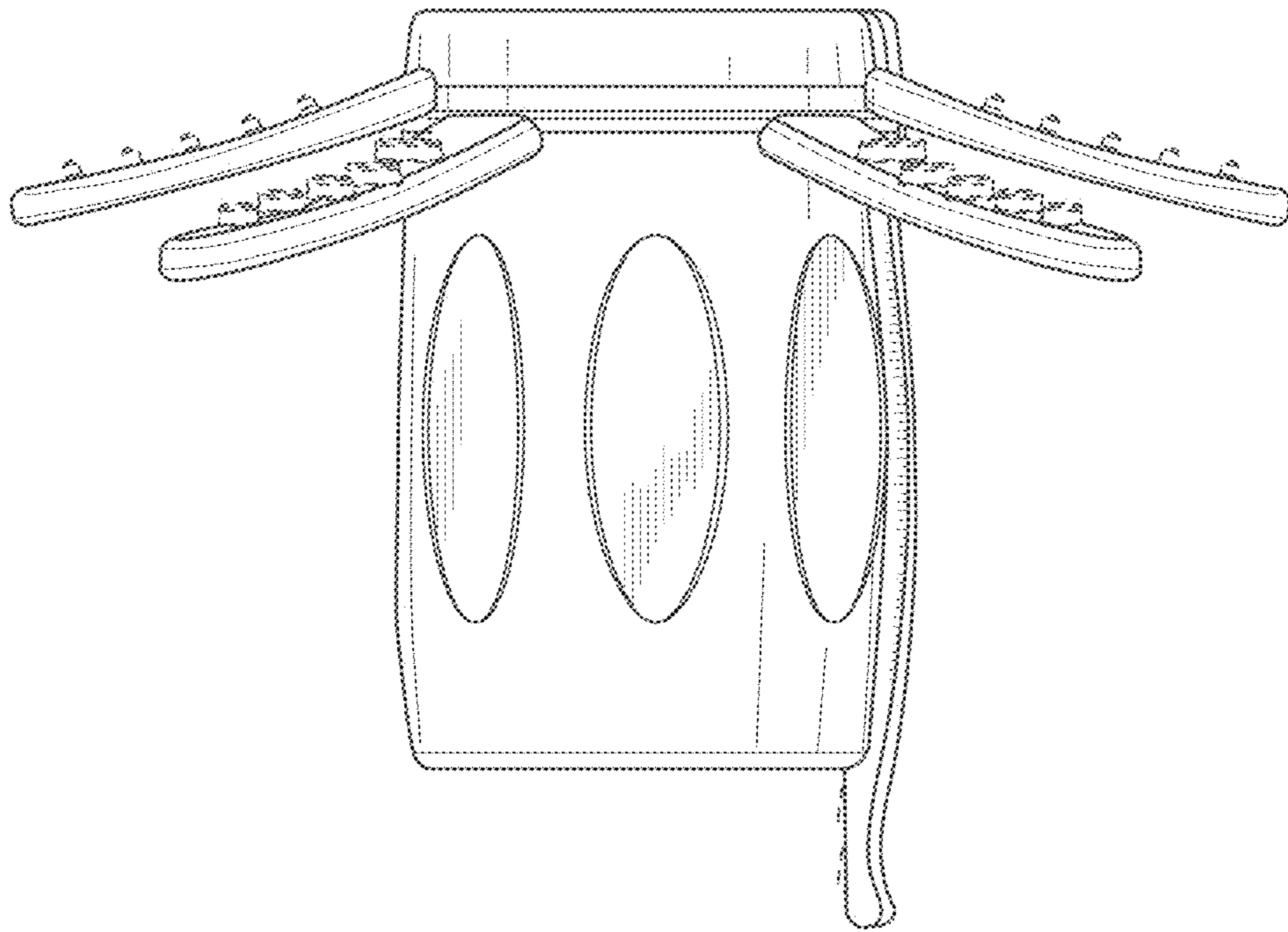


FIG. 12

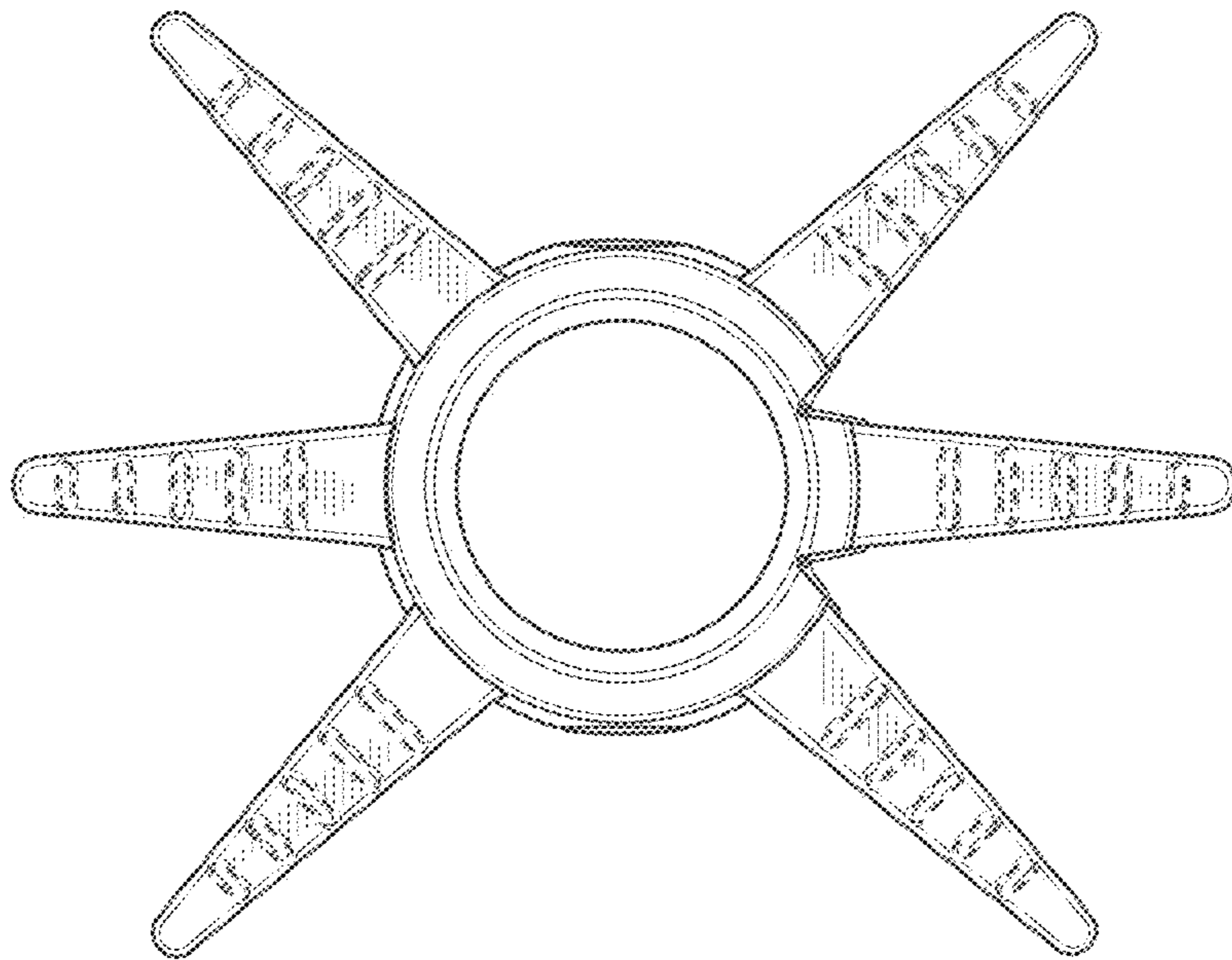


FIG. 13

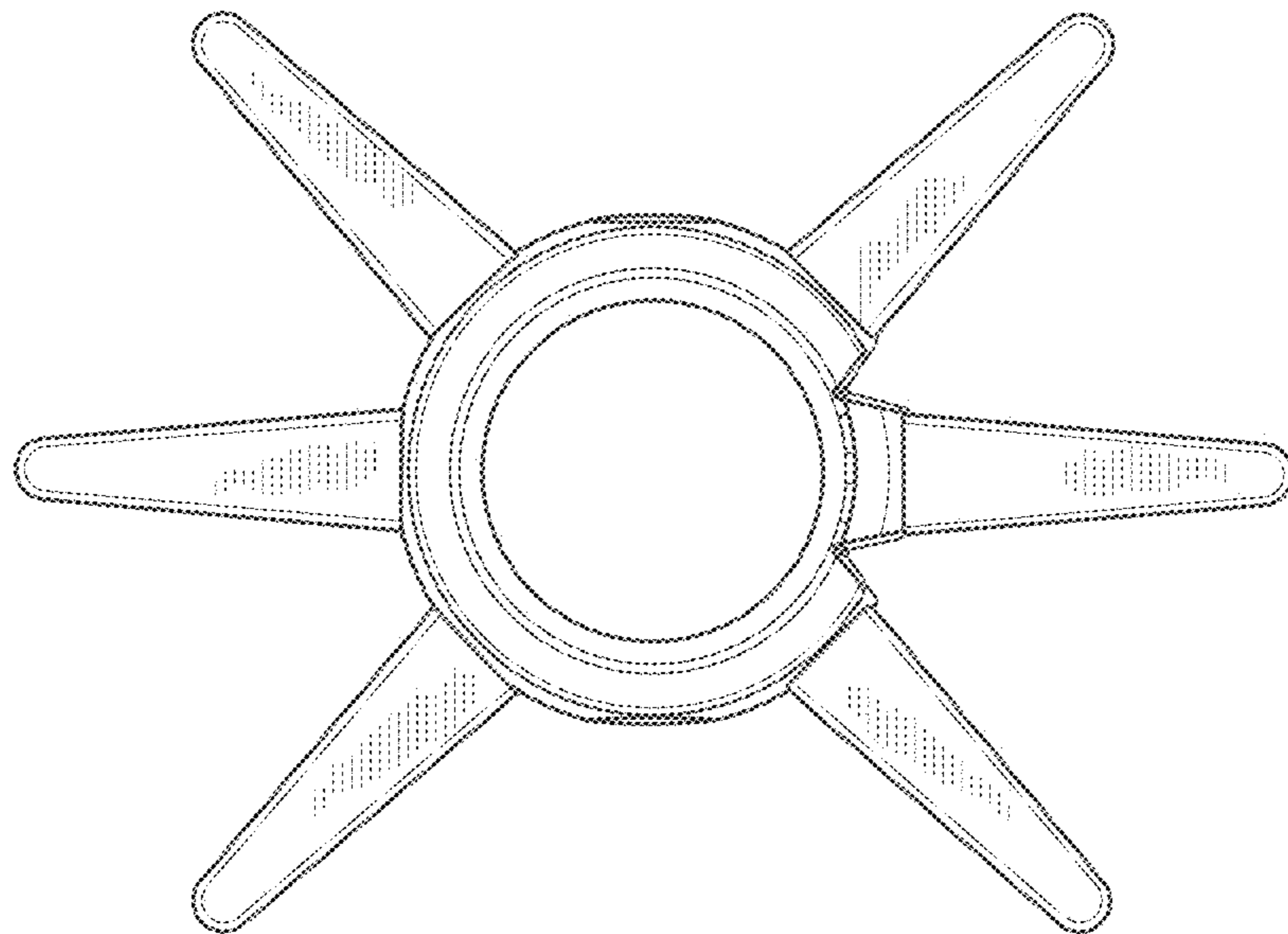


FIG. 14