



US00D870279S

(12) **United States Design Patent** (10) **Patent No.:** **US D870,279 S**
Halbert et al. (45) **Date of Patent:** **** *Dec. 17, 2019**

(54) **MEDICAL DEVICE HANDLE**

CPC A61B 17/0684; A61B 17/0401; A61B 2017/2925; A61B 2017/00429; A61B 17/0469; A61B 17/320092; A61B 2017/00424; A61B 2017/2929
See application file for complete search history.

(71) Applicant: **The Spectranetics Corporation,**
Colorado Springs, CO (US)

(72) Inventors: **Phillip Charles Halbert,** San Francisco, CA (US); **Christopher Allen Wilson,** Oakland, CA (US)

(56) **References Cited**

U.S. PATENT DOCUMENTS

(73) Assignee: **KONINKLIJKE PHILIPS N.V.,**
Eindhoven (NL)

D765,243	S	*	8/2016	Halbert	D24/133
D770,616	S	*	11/2016	Halbert	D24/133
D778,439	S	*	2/2017	Hakansson	D24/133
D819,204	S	*	5/2018	Halbert	D24/133
2017/0157392	A1	*	6/2017	Carver	A61N 1/0573

(*) Notice: This patent is subject to a terminal disclaimer.

* cited by examiner

(**) Term: **15 Years**

Primary Examiner — Wan Laymon
Assistant Examiner — Mark Booker

(21) Appl. No.: **29/649,261**

(22) Filed: **May 29, 2018**

(57) **CLAIM**

The ornamental design for a medical device handle, as shown and described.

Related U.S. Application Data

(63) Continuation of application No. 29/580,392, filed on Oct. 7, 2016, now Pat. No. Des. 819,204, which is a continuation of application No. 29/519,239, filed on Mar. 3, 2015, now Pat. No. Des. 770,616, which is a continuation-in-part of application No. 14/627,950, filed on Feb. 20, 2015, now Pat. No. 9,918,737.

DESCRIPTION

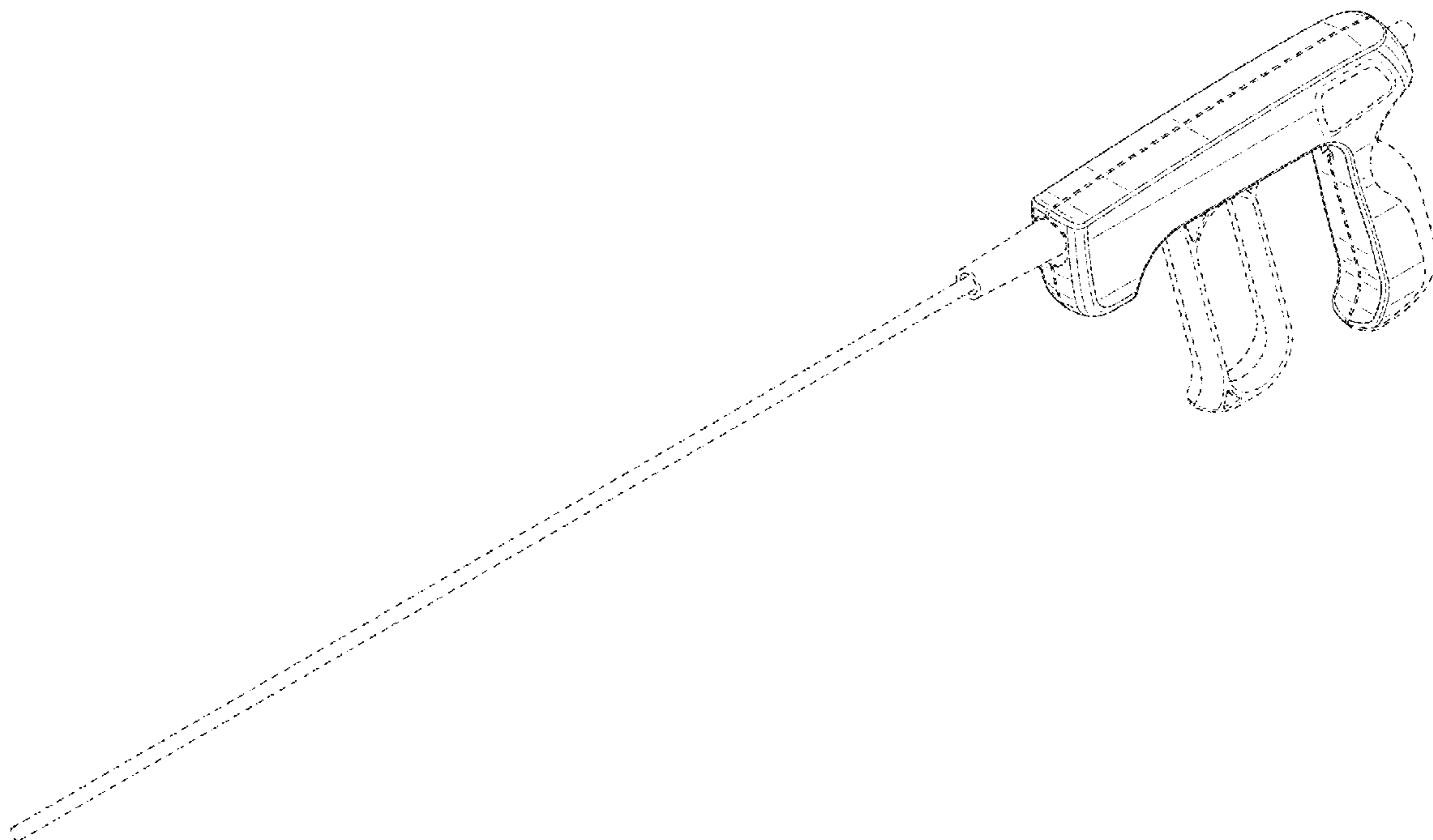
(51) **LOC (12) Cl.** **24-02**

(52) **U.S. Cl.**
USPC **D24/133**

(58) **Field of Classification Search**
USPC D24/133, 143-147, 148-149; D8/49-51, D8/57, 68, 107; 227/175.1, 175.2, 180.1, 227/901-902; 606/1, 39, 130, 142-143, 606/148, 169-170, 174, 175.1, 175.2, 606/180.1, 205; 600/104

FIG. 1 is a front perspective view of medical device handle illustrating our new design;
FIG. 2 is an enlarged front side view thereof;
FIG. 3 is an enlarged back side view thereof;
FIG. 4 is a left side view thereof;
FIG. 5 is a right side view thereof;
FIG. 6 is a top view thereof; and,
FIG. 7 is a bottom view thereof.
The portions of the device shown in broken lines form no part of the claimed design.

1 Claim, 5 Drawing Sheets



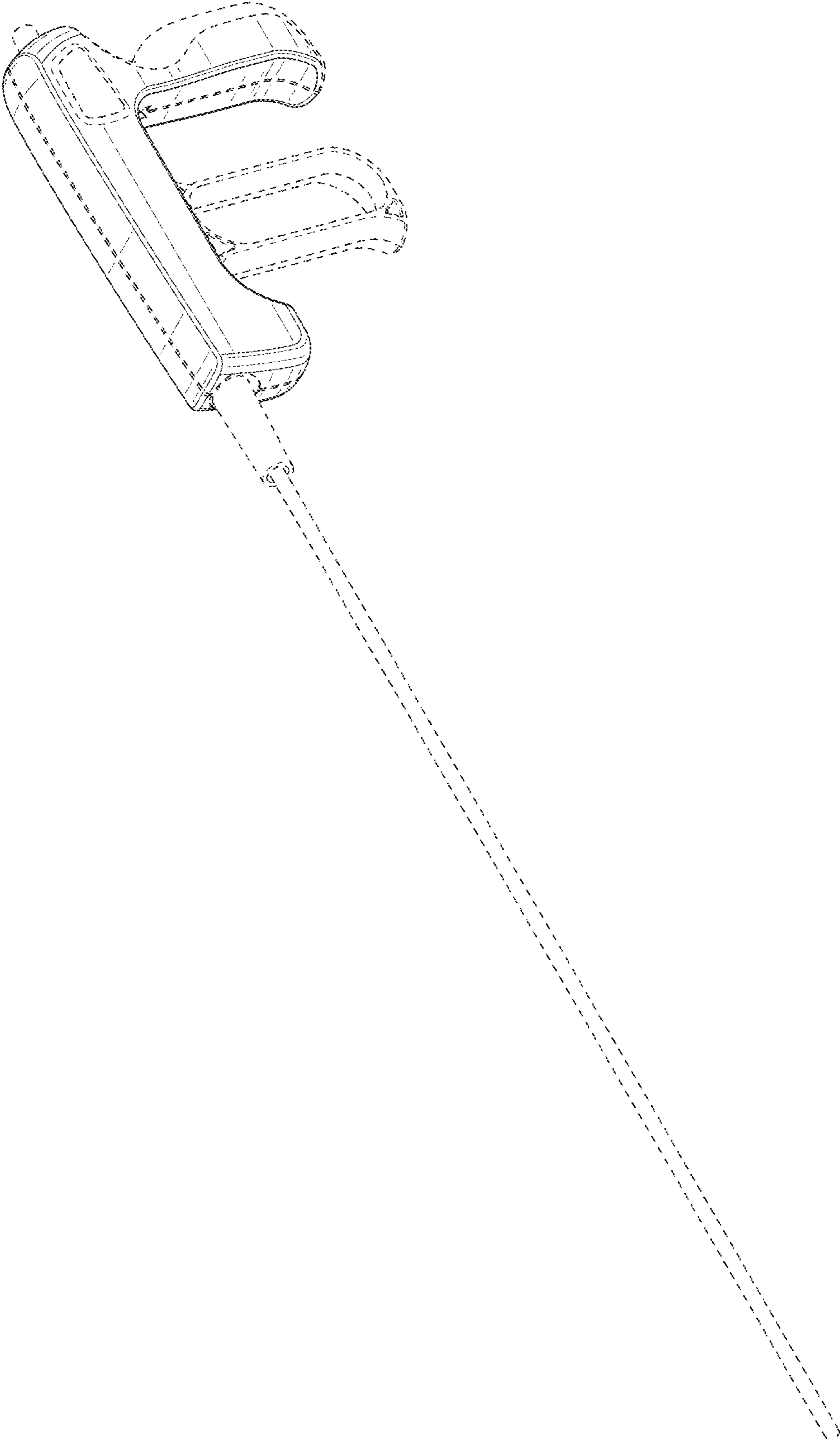


FIG. 1

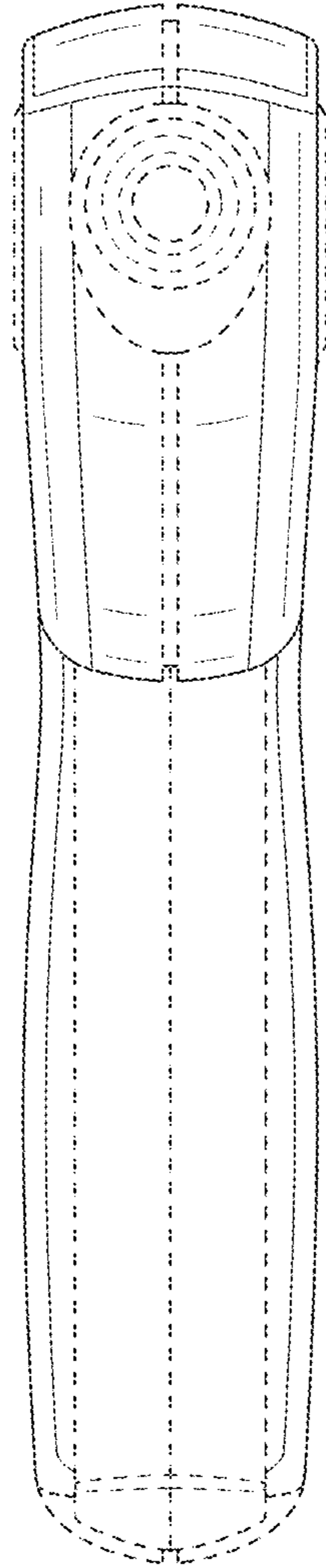


FIG. 2

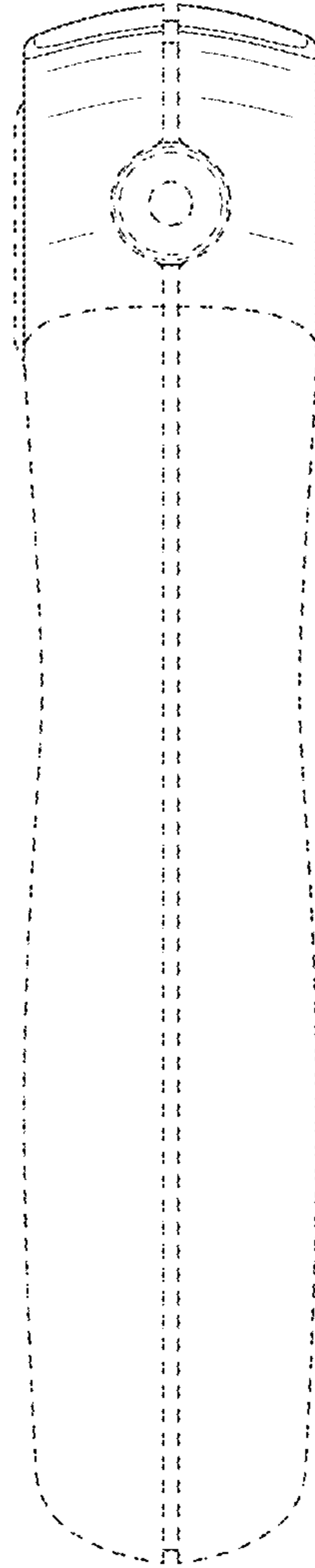


FIG. 3

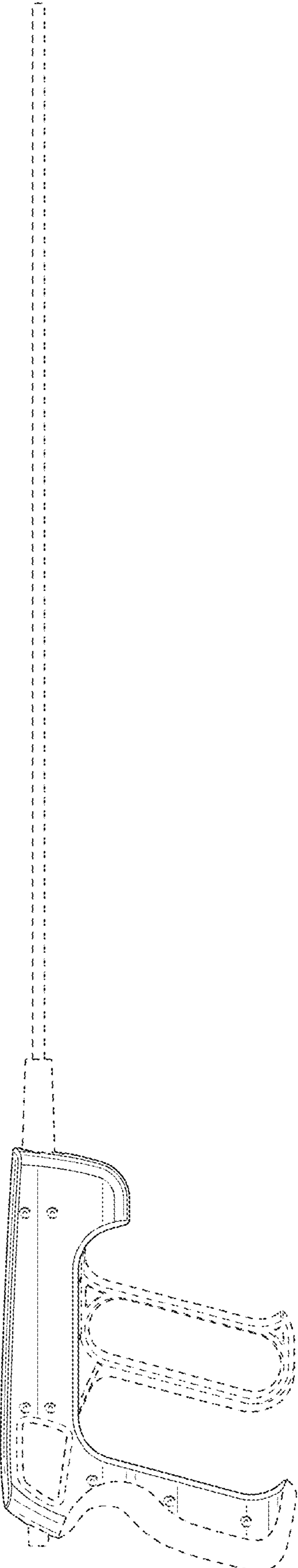


FIG. 4

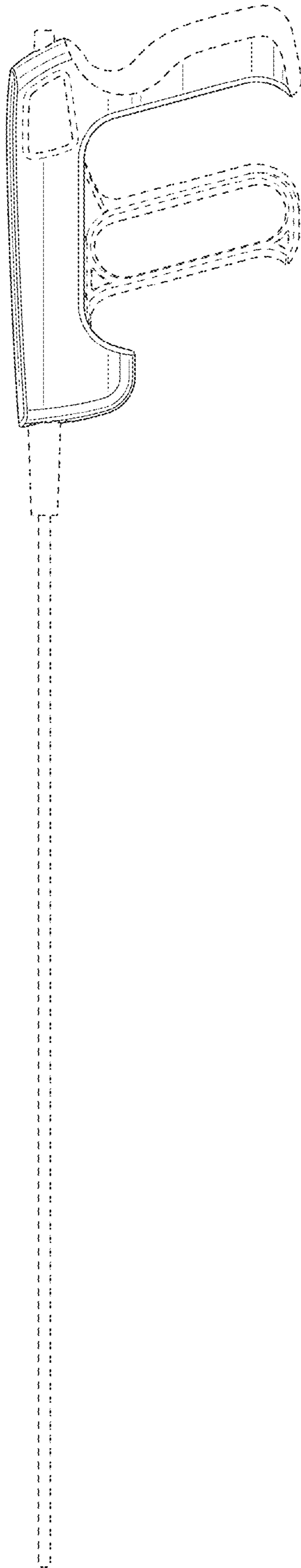


FIG. 5

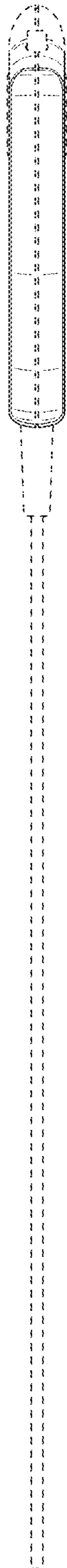


FIG. 6

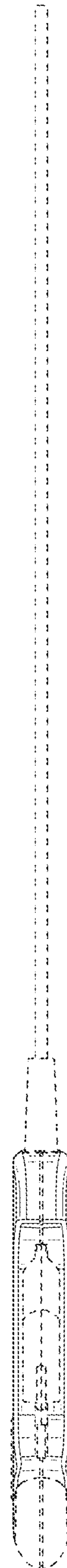


FIG. 7