



US00D870277S

(12) **United States Design Patent**
Quentin

(10) **Patent No.:** **US D870,277 S**

(45) **Date of Patent:** **** Dec. 17, 2019**

(54) **CONNECTOR**

(71) Applicant: **TECHNOFLEX**, Bidart (FR)

(72) Inventor: **Borderie Quentin**, Enghien (FR)

(73) Assignee: **TECHNOFLEX**, Bidart (FR)

(**) Term: **15 Years**

(21) Appl. No.: **29/627,808**

(22) Filed: **Nov. 29, 2017**

(30) **Foreign Application Priority Data**

Jul. 28, 2017 (EM) 004125136-0001

(51) **LOC (12) Cl.** **24-02**

(52) **U.S. Cl.**

USPC **D24/129**

(58) **Field of Classification Search**

USPC D24/127-131, 112-114, 133, 186;
606/181, 185; 604/264, 523-528, 272,
604/187, 158, 164.01-164.11, 181, 184,
604/227; 600/101, 139, 143;
128/200.24, 207.14, 207.15

CPC .. A61M 25/065; A61M 5/42; A61M 25/0612;
A61M 25/00; A61M 39/00; A61M 27/00;
A61M 25/0043; A61M 25/0067; A61M
25/0097; A61F 2/958

See application file for complete search history.

(56) **References Cited**

U.S. PATENT DOCUMENTS

D439,663 S * 3/2001 Guala D24/129
D602,158 S * 10/2009 Cuevas D24/128

D620,591 S * 7/2010 Young D24/130
D625,003 S * 10/2010 Stephens D24/129
D625,004 S * 10/2010 McGrady D24/129
D625,409 S * 10/2010 Chesnin D24/129
D635,668 S * 4/2011 Bartlett D24/112
D639,421 S * 6/2011 Sano D24/118
D639,941 S * 6/2011 Porat D24/133
8,827,981 B2 * 9/2014 Liu A61B 17/8811
604/506
D737,436 S * 8/2015 Lev D24/129
9,611,079 B2 * 4/2017 Mazurkiewicz B65D 47/123
D830,523 S * 10/2018 Vranish D23/262

* cited by examiner

Primary Examiner — David G Muller

(74) *Attorney, Agent, or Firm* — Ladas & Parry, LLP

(57) **CLAIM**

The ornamental design for a connector, as shown and described.

DESCRIPTION

FIG. 1 is a perspective view of the connector with decorative wings.

FIG. 2 is a front view of the connector of FIG. 1.

FIG. 3 is a back view of the connector of FIG. 1.

FIG. 4 is a first side view of the connector of FIG. 1.

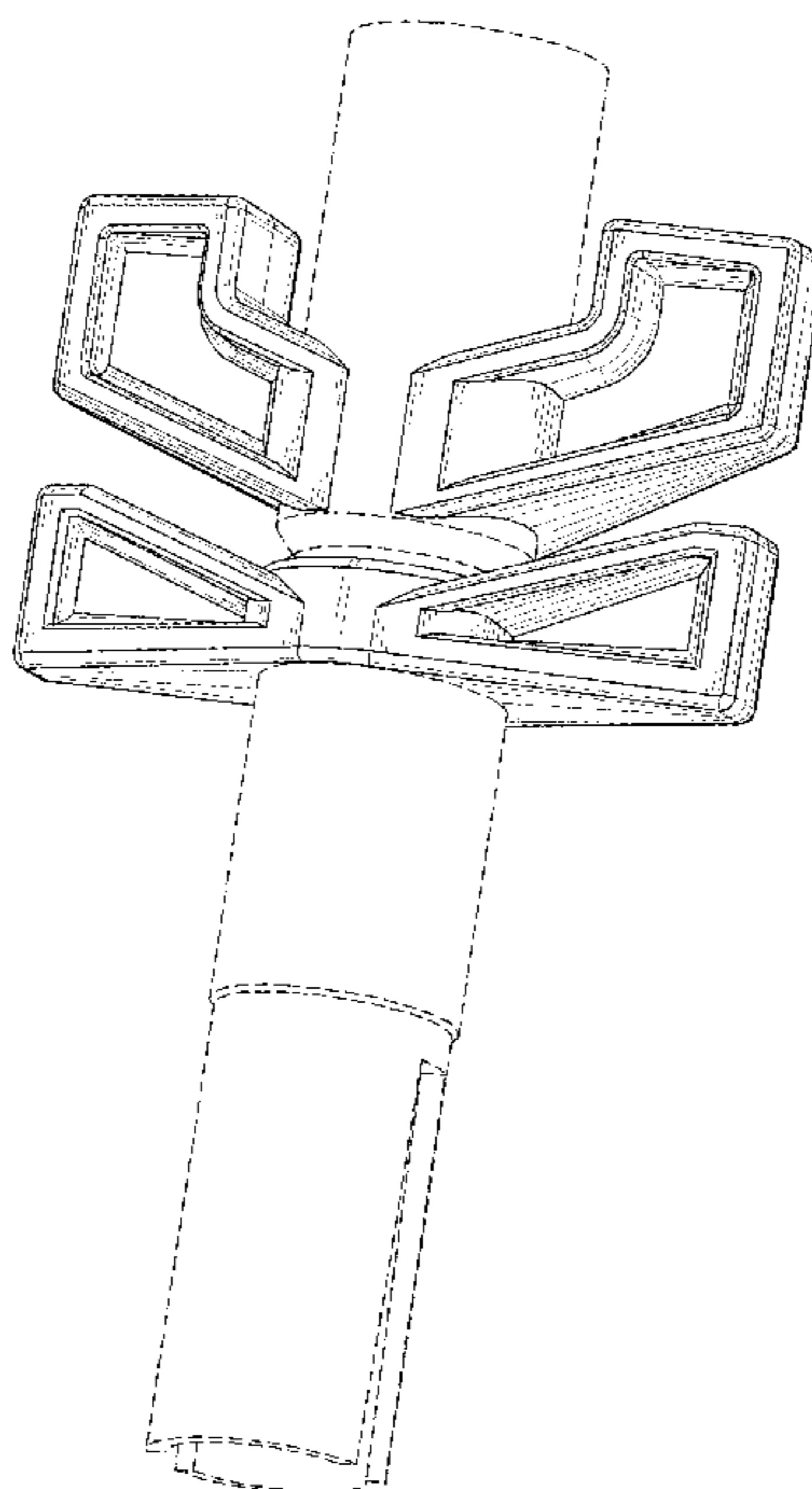
FIG. 5 is an opposing side view of the connector of FIG. 1.

FIG. 6 is a top view of the connector of FIG. 1; and,

FIG. 7 is a bottom view of the connector of FIG. 1.

Broken lines depict features that do not form part of the design.

1 Claim, 7 Drawing Sheets



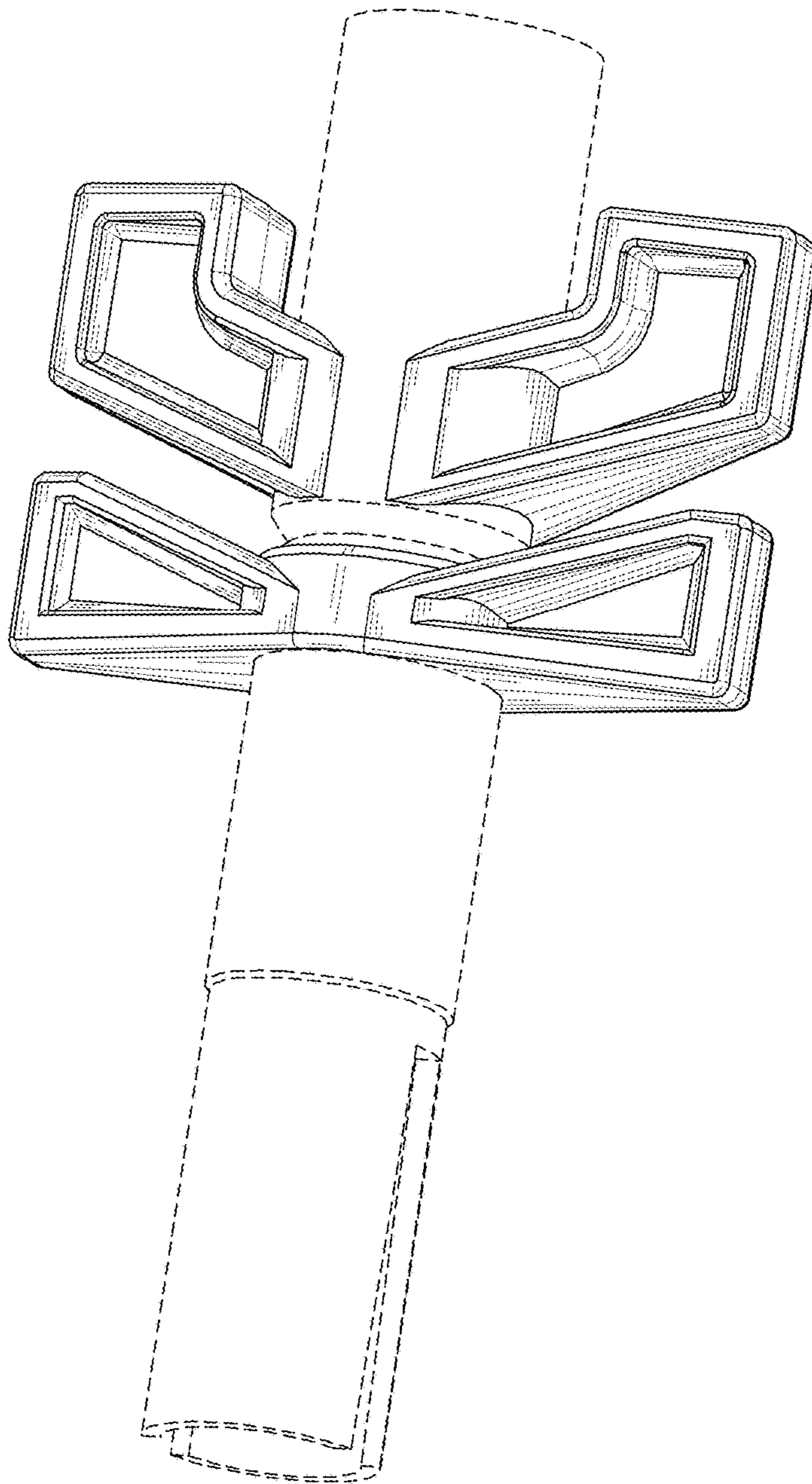


FIG. 1

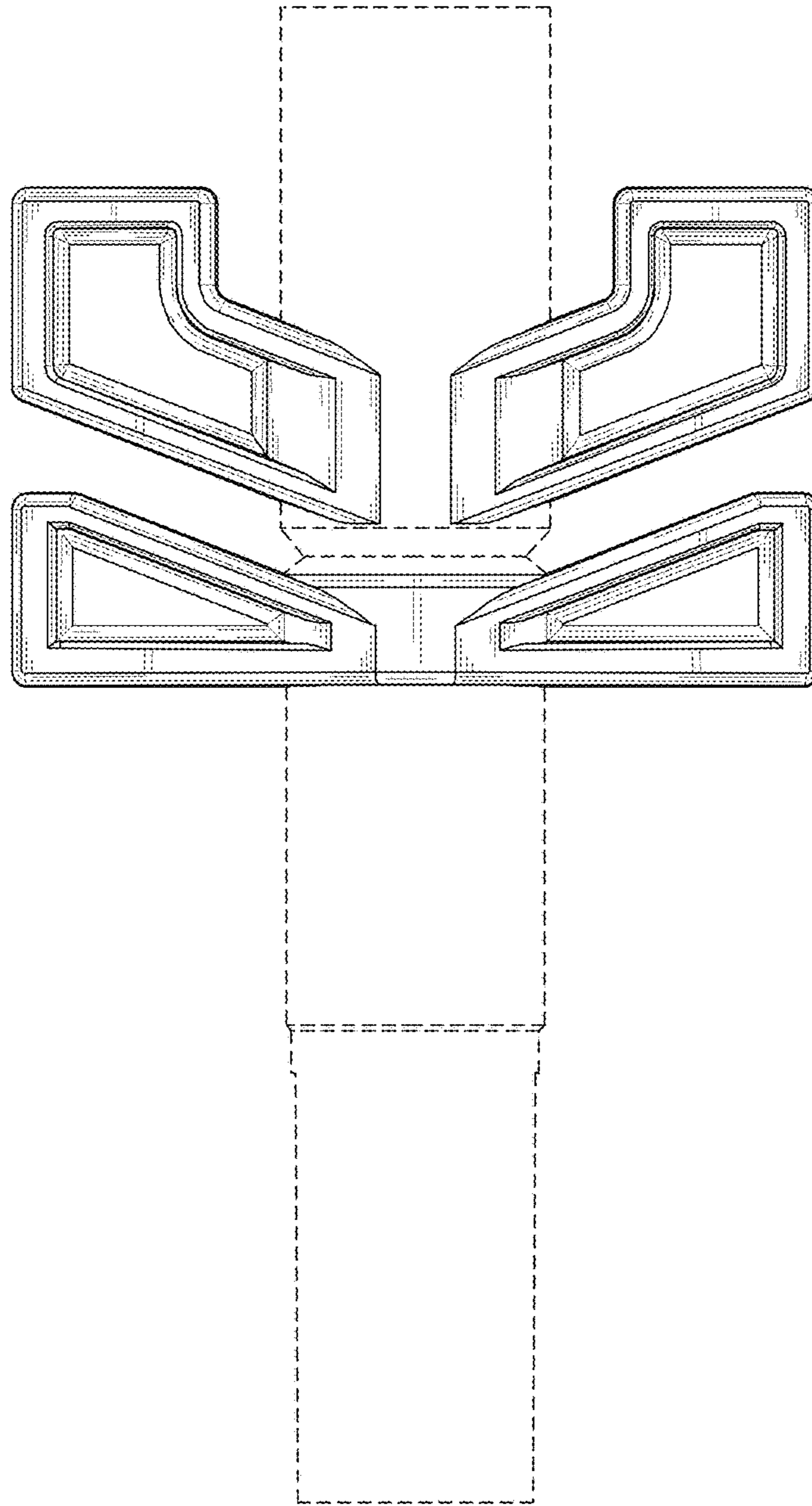


FIG. 2

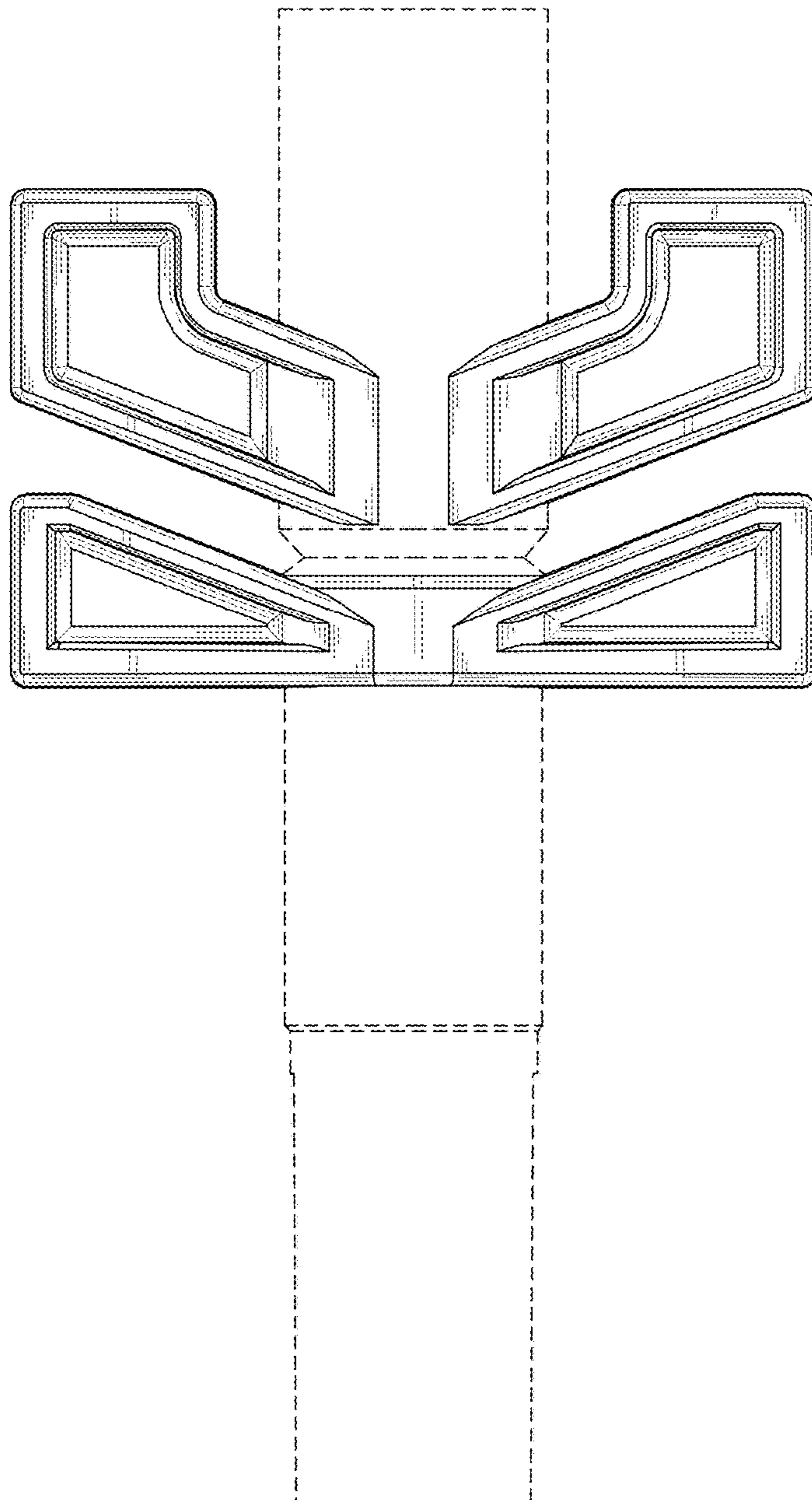


FIG. 3

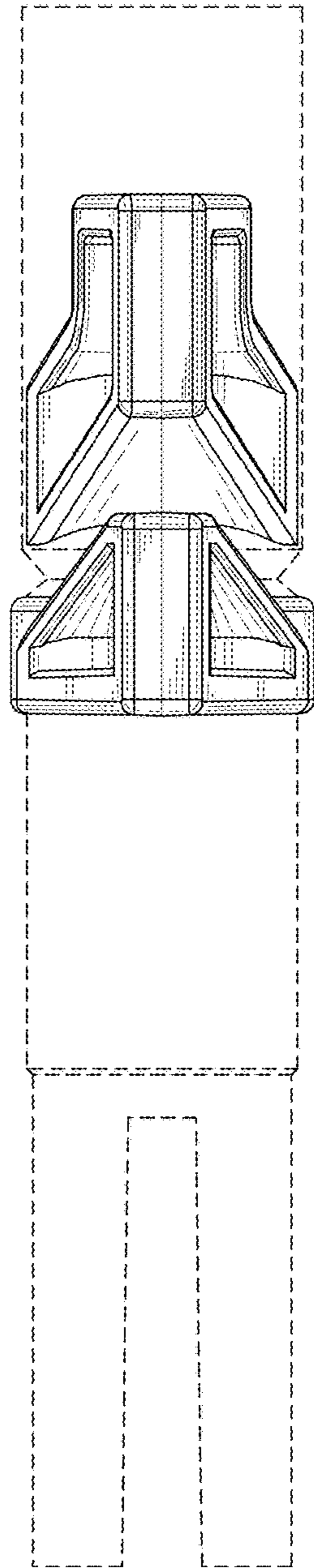


FIG. 4

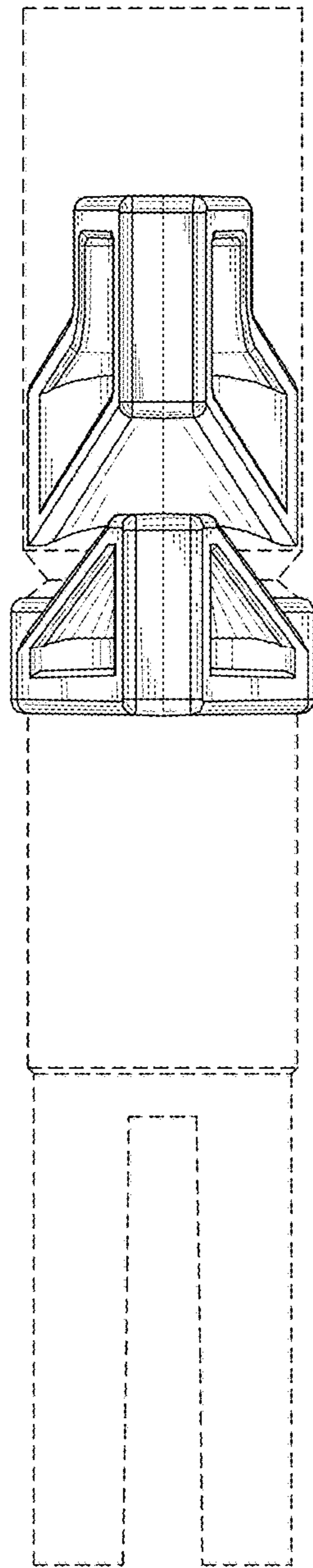


FIG. 5

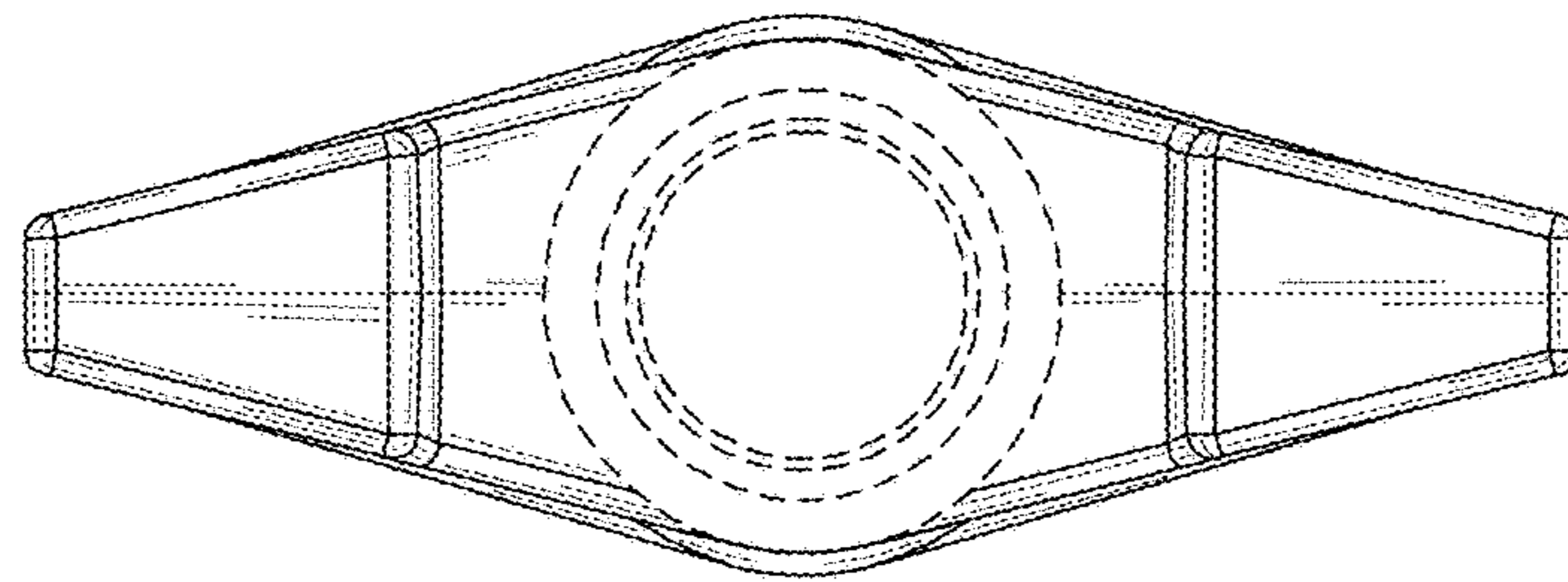


FIG. 6

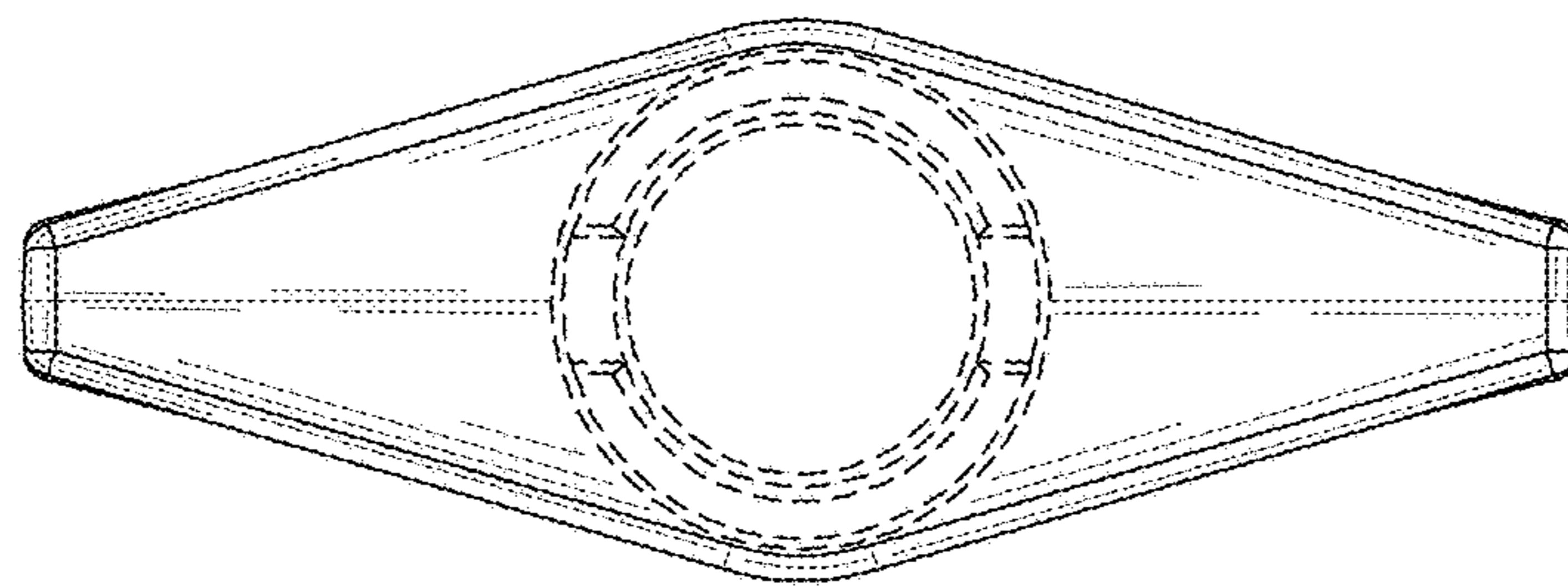


FIG. 7