



US00D870273S

(12) **United States Design Patent** (10) **Patent No.:** **US D870,273 S**
Goulinet et al. (45) **Date of Patent:** **** Dec. 17, 2019**

(54) **HYPODERMIC SYRINGE** D811,589 S * 2/2018 Finke A61M 5/2466
D24/114
(71) Applicant: **Laboratoires Vivacy**, Paris (FR) D819,805 S * 6/2018 Knight D24/114
D823,461 S * 7/2018 Shaw D24/114
(72) Inventors: **Philippe Goulinet**, La Balme de D830,542 S * 10/2018 Walker D24/114
Sillingy (FR); **Cyril Mézière**,
Villeurbanne (FR)

(73) Assignee: **LABORATOIRES VIVACY**, Paris (FR)

(**) Term: **15 Years**

(21) Appl. No.: **29/621,088**

(22) Filed: **Oct. 4, 2017**

(51) **LOC (12) Cl.** **24-02**

(52) **U.S. Cl.**
USPC **D24/114**

(58) **Field of Classification Search**
USPC D24/112-114, 108, 133, 130, 127, 186;
606/181, 185; 604/264, 272, 187, 181,
604/184, 227
CPC A61M 5/178; A61M 3/00; A61M 5/20;
A61M 5/31; A61M 5/3146; A61M
5/3129; A61M 5/3148; A61M 5/315
See application file for complete search history.

(56) **References Cited**

U.S. PATENT DOCUMENTS

D449,379 S * 10/2001 Fuhr D24/133
D573,256 S * 7/2008 Mauch D24/130
D576,276 S * 9/2008 Osypka D24/130
D609,333 S * 2/2010 Holmes D24/114
D641,078 S * 7/2011 Morgan D24/114
D747,797 S * 1/2016 Fourt D24/114
D775,325 S * 12/2016 Larson D24/114
D789,520 S * 6/2017 Tseng D24/114
D792,969 S * 7/2017 Taylor D24/130

OTHER PUBLICATIONS

Emervel Syringe; SYN-VOILid-00.
Mlatrifill Syringe.
Bio Hyalux Syringe.
Filorga Syringe; Mar. 2018.
Teoxane Syringe; aTSK-153002; CH, Geneva.
Belotero Syringe.
Neuramis Syringe; NEU-VL-00SL.
Restylane Syringe; 13498; Nov. 30, 2017.

(Continued)

Primary Examiner — David G Muller

(74) *Attorney, Agent, or Firm* — Greenberg Traurig, LLP

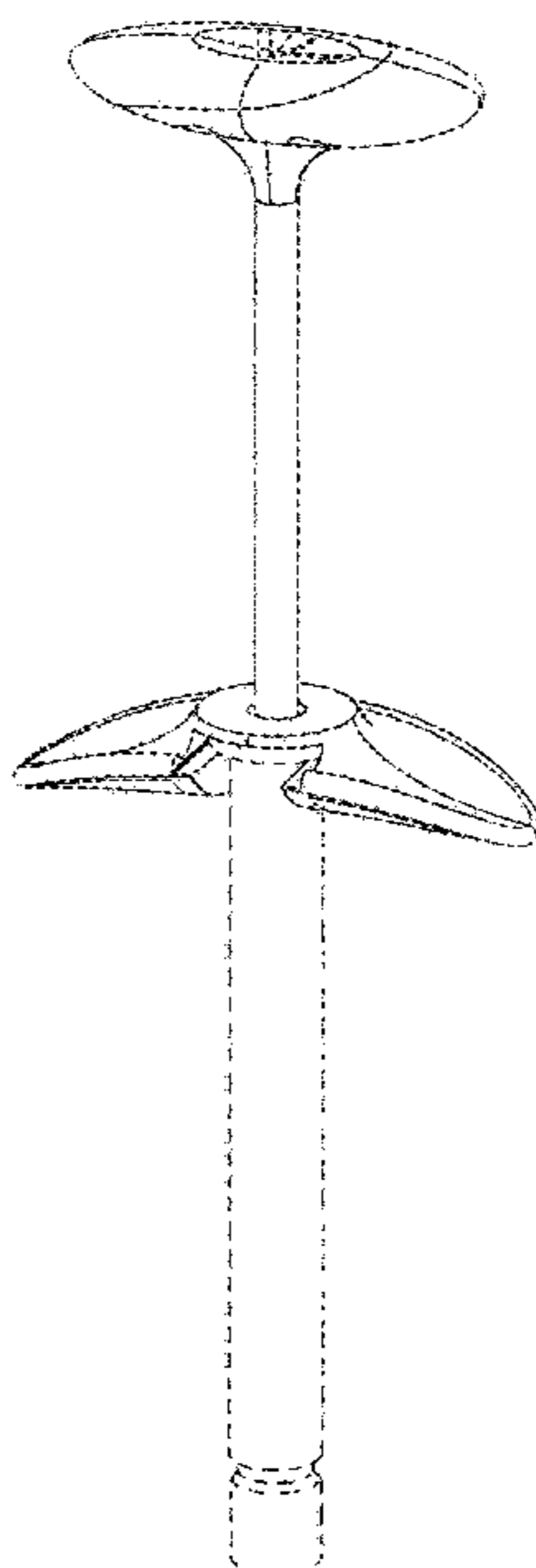
(57) **CLAIM**

We claim the ornamental design for a plunger and finger grip for a hypodermic syringe, as shown and described.

DESCRIPTION

FIG. 1 is a perspective view of a hypodermic syringe; FIG. 2 is a front elevation view of the hypodermic syringe of FIG. 1; FIG. 3 is a side elevation view of the hypodermic syringe of FIG. 1; FIG. 4 is a bottom perspective view of the hypodermic syringe of FIG. 1; FIG. 5 is a perspective view of an alternate configuration of the hypodermic syringe of FIG. 1; and, FIG. 6 is a perspective view of another alternate configuration of the hypodermic syringe of FIG. 1. The features shown in broken lines depict environmental subject matter only and form no part of the claimed design.

1 Claim, 4 Drawing Sheets



(56)

References Cited

OTHER PUBLICATIONS

Neuvia Syringe; HY200P28.

Vivacy Ophthalmology Syringe; AV BI-Soft; Laboratories Vivacy; Paris, France.

Vivacy Aesthetic Syringe; AV BI-Soft; Laboratories Vivacy; Paris, France.

* cited by examiner



FIG. 2

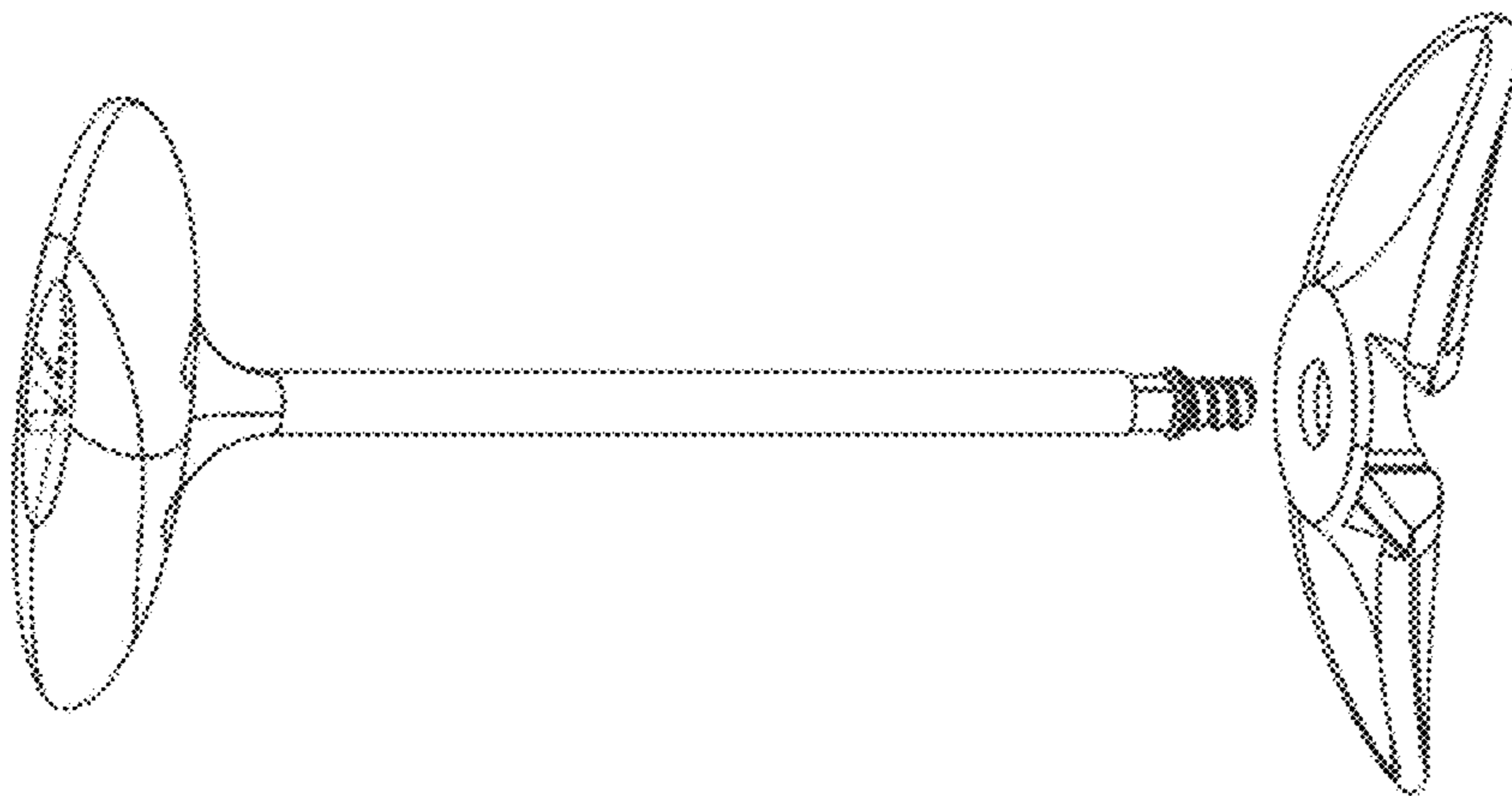


FIG. 1

FIG. 3

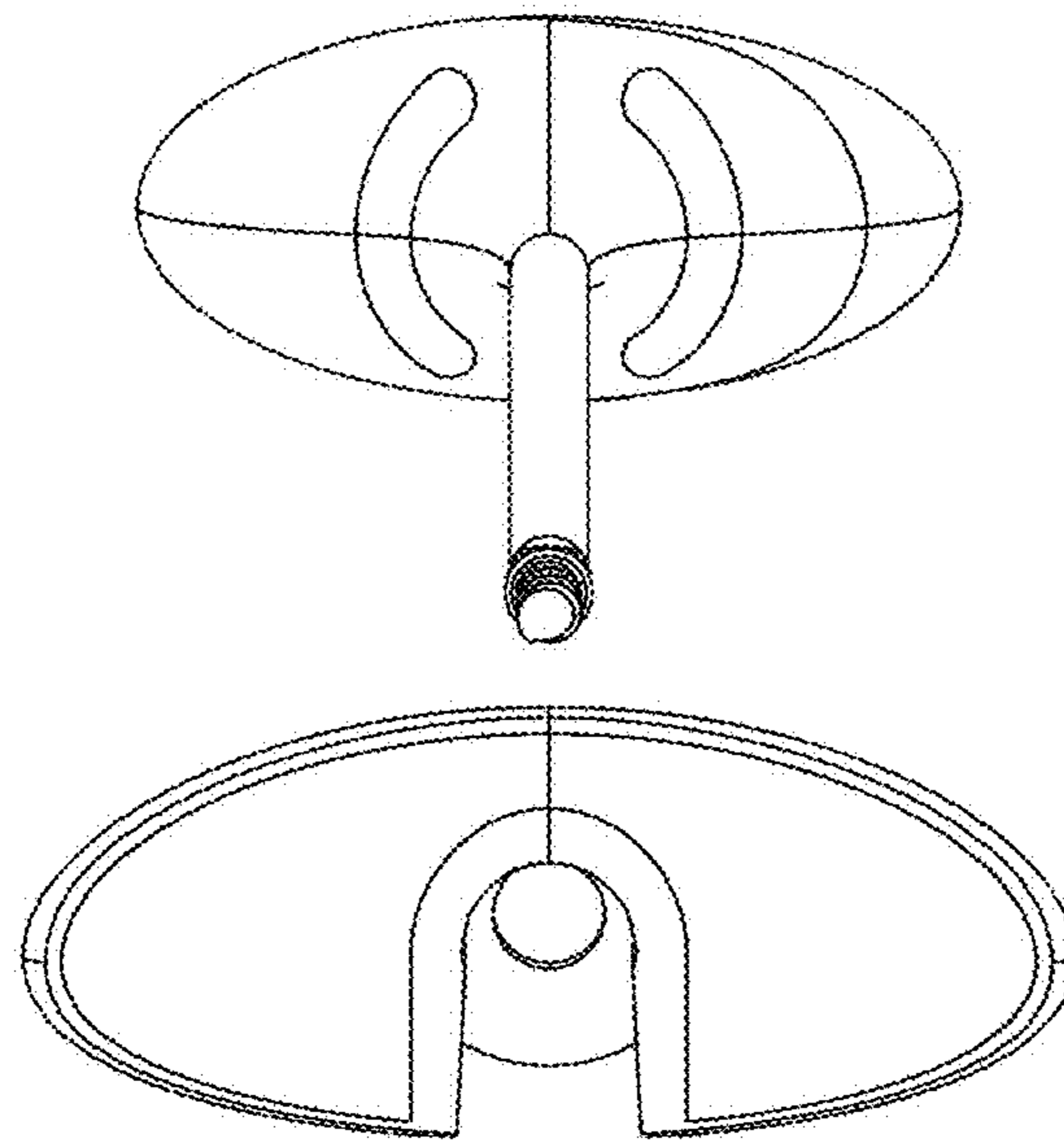
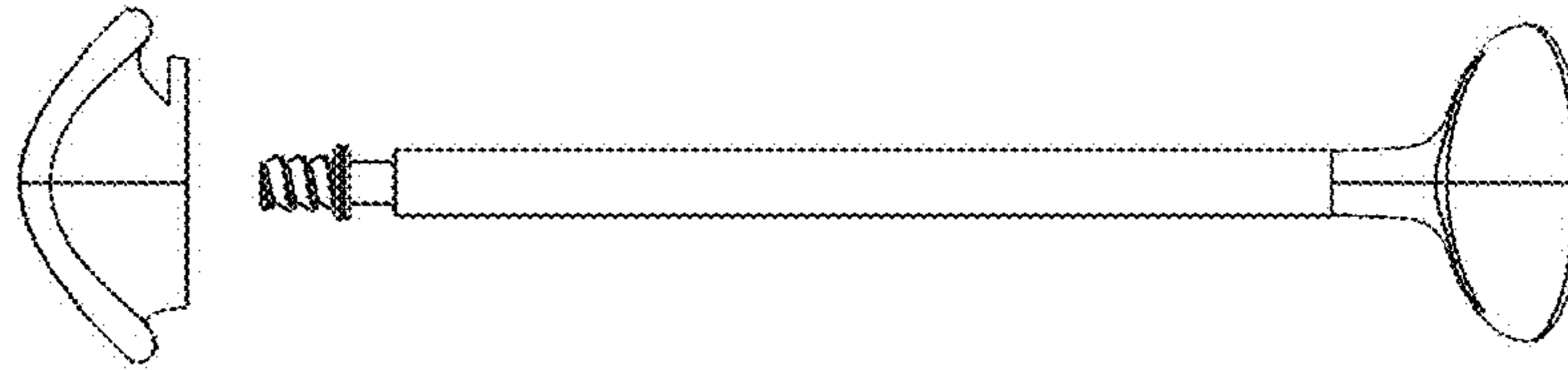


FIG. 4

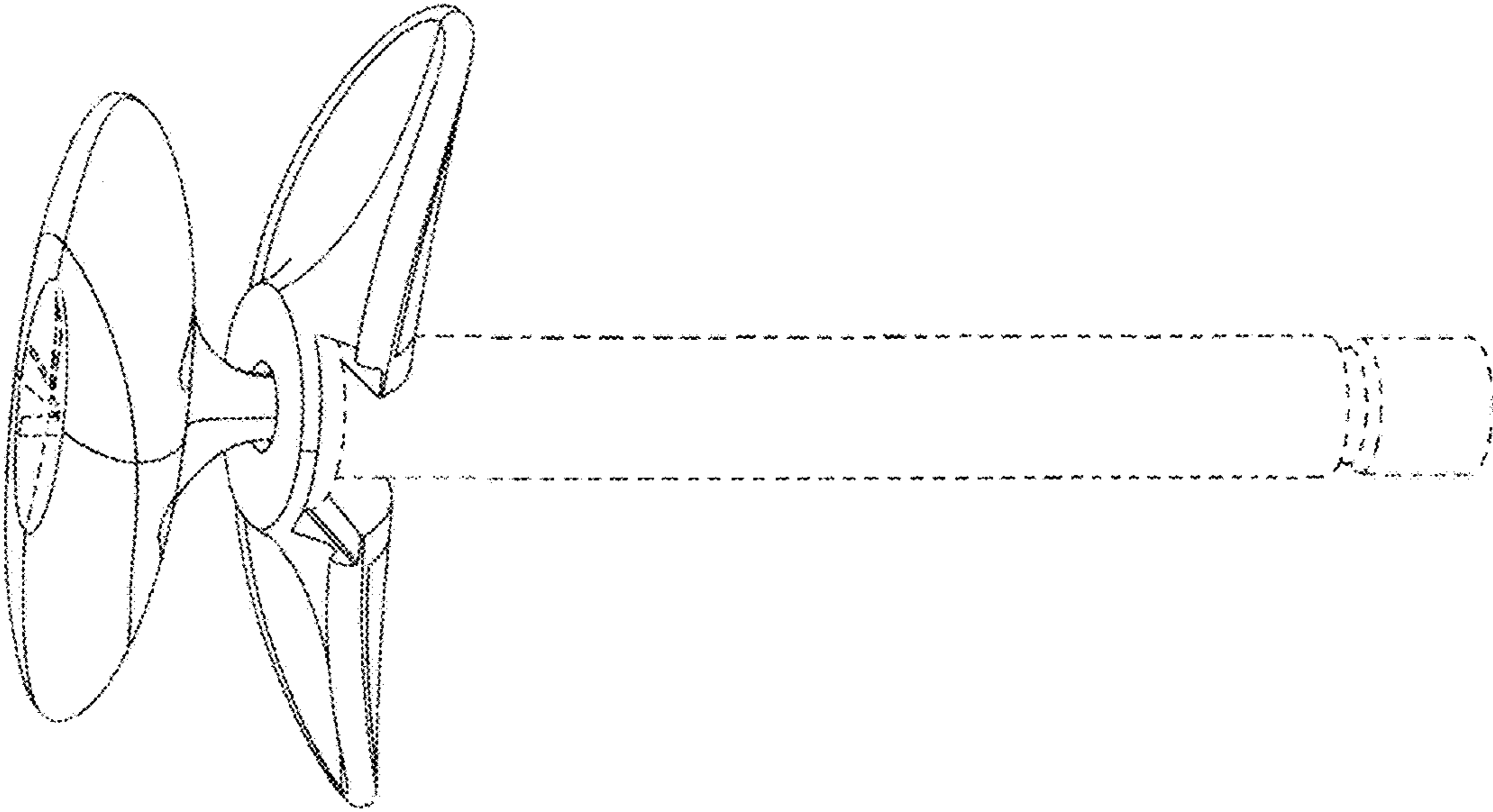


FIG. 5

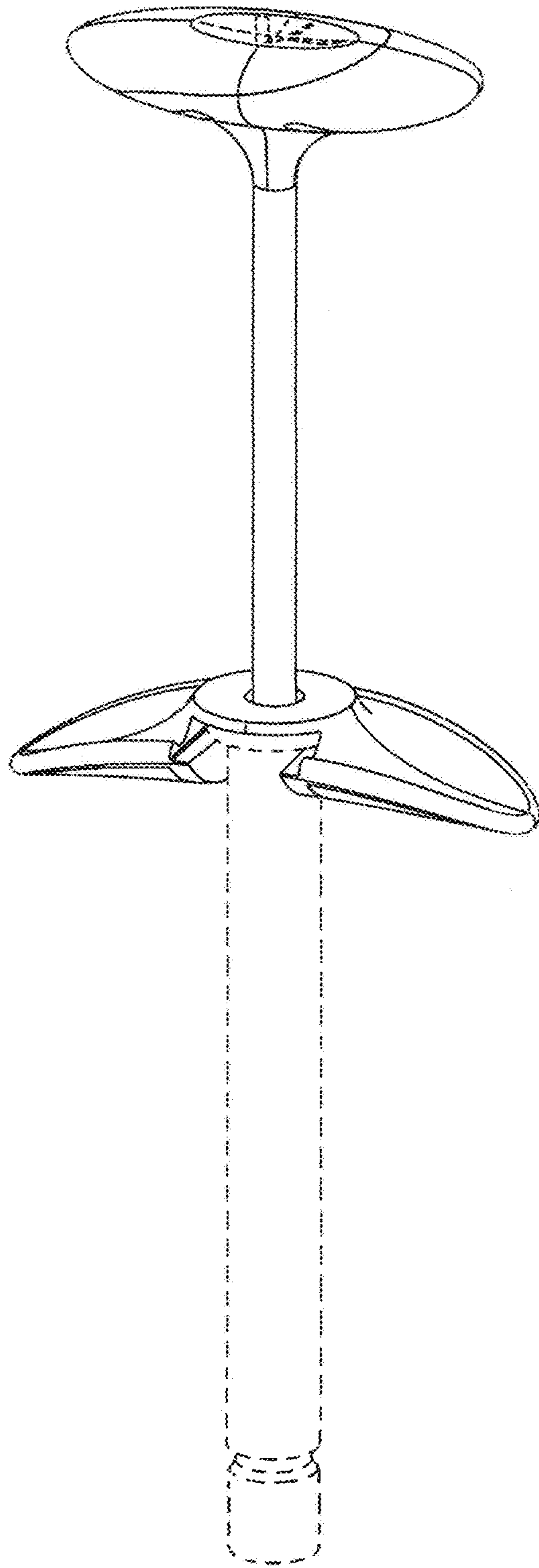


FIG. 6