



US00D870270S

(12) **United States Design Patent** (10) **Patent No.:** **US D870,270 S**
Burkett et al. (45) **Date of Patent:** **** Dec. 17, 2019**

(54) **AUTOINJECTOR PEN**

(71) Applicant: **Merck Sharp & Dohme Corp.**,
Rahway, NJ (US)

(72) Inventors: **Greg Burkett**, San Francisco, CA (US);
Shu Kuen Chang, Evanston, IL (US);
Angie Kim, San Francisco, CA (US);
Jin Ko, Evanston, IL (US); **Scott Mackie**,
New Haven, CT (US); **Philip G. Green**,
Weehawken, NJ (US); **Sharad Gupta**,
Madison, NJ (US); **Angela M. Amend Kwasnik**,
Metuchen, NJ (US); **Christin L. O'Neill**,
Philadelphia, PA (US); **Robert Stianchi**,
Hillsborough, NJ (US); **Witold Swiatek**,
Bethlehem, PA (US)

(73) Assignee: **Merck Sharp & Dohme Corp.**,
Rahway, NJ (US)

(**) Term: **15 Years**

(21) Appl. No.: **29/612,133**

(22) Filed: **Jul. 28, 2017**

Related U.S. Application Data

(62) Division of application No. 29/487,569, filed on Apr.
10, 2014, now Pat. No. Des. 793,547.

(51) **LOC (12) Cl.** **24-02**

(52) **U.S. Cl.**
USPC **D24/112**

(58) **Field of Classification Search**
USPC D24/112-114, 108, 133, 130, 127, 186;
606/181, 185; 604/264, 272, 187, 181,
604/184, 227
(Continued)

(56) **References Cited**
U.S. PATENT DOCUMENTS
1,686,055 A 10/1928 Whiteside
D147,579 S 9/1947 Campbell
(Continued)

FOREIGN PATENT DOCUMENTS
CA 105065 6/2005
EP 681812 3/2007
(Continued)

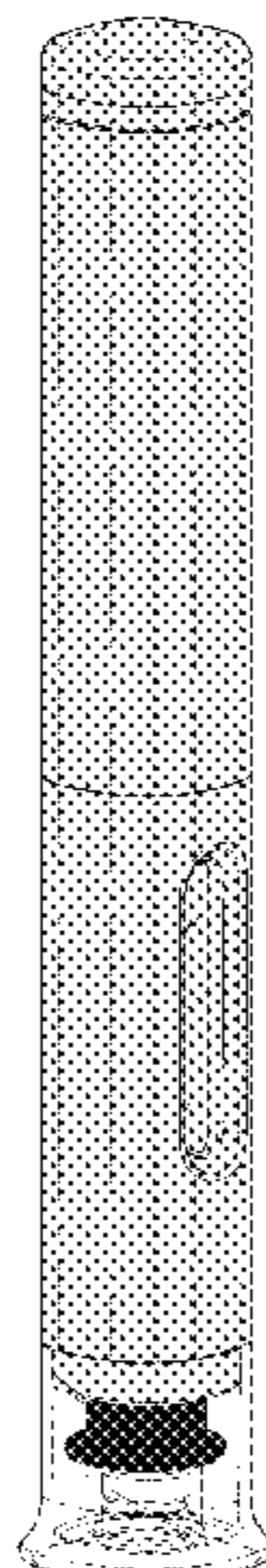
OTHER PUBLICATIONS
www.westpharma.com/en/products/Pages/SelfDose.aspx, Nov. 4, 2013.
(Continued)

Primary Examiner — David G Muller
(74) *Attorney, Agent, or Firm* — Li Su; Laura M. Ginkel

(57) **CLAIM**
The ornamental design for an autoinjector pen, as shown and
described.

DESCRIPTION

The patent or application file contains at least one drawing
executed in color. Copies of this patent or patent application
publication with color drawing(s) will be provided by the
Office upon request and payment of the necessary fee.
FIG. 1 is a front perspective view of an autoinjector pen after
an injection, with the cap attached, after an injection, in
which the color of the plunger (the surface visible through
the window after an injection), the color of the sensor and
the color of the body of the pen all form part of the design;
(Continued)



the color of the plunger is Pantone 101, the color of the sensor is Pantone 2756, and the color of the body is Pantone 7541;

FIG. 2 is a front elevational view thereof, the rear being a mirror image;

FIG. 3 is a top plan view thereof;

FIG. 4 is a bottom plan view thereof;

FIG. 5 is a left side elevational view thereof, the right side being a mirror image;

FIG. 6 is a front perspective view thereof with the cap removed;

FIG. 7 is a front elevational view thereof, the rear being a mirror image;

FIG. 8 is a left side view thereof, the right side being a mirror image;

FIG. 9 is a front elevational view of the embodiment of the autoinjector pen of FIG. 1, without the cap and before an injection, in which the color of the surface visible through the window before an injection is disclaimed and forms no part of the design. In FIG. 9, the color of the sensor and the color of the body form part of the design. Any other color in FIG. 9, including the color white, implied in the remaining parts of the design by the background media on which the design is printed or shown, is disclaimed, as these colors form no part of the claimed design for the autoinjector pen before injection; and,

FIG. 10 is a bottom plan view thereof.

The oblique lines on the cap and the window indicate transparency.

**1 Claim, 10 Drawing Sheets
(10 of 10 Drawing Sheet(s) Filed in Color)**

(58) **Field of Classification Search**

CPC A61M 5/178; A61M 3/00; A61M 5/20;
A61M 5/31; A61M 5/3146; A61M
5/3129; A61M 5/3148; A61M 5/315
See application file for complete search history.

(56) **References Cited**

U.S. PATENT DOCUMENTS

D279,504 S 7/1985 Tump
D298,653 S 11/1988 Maietta
D320,084 S 9/1991 Stewart et al.
D369,384 S 4/1996 Yasoshima
D479,600 S 9/2003 Bainton
D479,748 S 9/2003 Tyce

D490,150 S 5/2004 Hawley et al.
D491,263 S 6/2004 Hawley et al.
D492,027 S 6/2004 Tyce et al.
D492,405 S 6/2004 Bainton
D501,253 S 1/2005 Bainton
D506,221 S 1/2005 Huang
D542,914 S 5/2007 Tanghoj
D542,978 S 5/2007 Bortolotti
D567,852 S 4/2008 Qiu et al.
D568,988 S 5/2008 Galbraith
D612,486 S 3/2010 Van der Stappen
7,674,246 B2 3/2010 Gillespie et al.
D619,244 S 7/2010 Van der Stappen
D622,374 S 8/2010 Julian et al.
D627,061 S 11/2010 Van der Stappen
D629,509 S 12/2010 Julian et al.
D676,957 S * 2/2013 Schneider D24/113
D687,543 S * 8/2013 Pala D24/113
D688,792 S 8/2013 Guarraia et al.
D696,397 S * 12/2013 Guarraia D24/113
D696,773 S * 12/2013 Schneider D24/113
D696,774 S 12/2013 Guarraia et al.
D696,775 S 12/2013 Guarraia et al.
D697,205 S * 1/2014 Schneider D24/113
D708,317 S * 7/2014 Schneider D24/113
D714,932 S * 10/2014 Hall D24/112
D715,422 S * 10/2014 Hall D24/112
D726,905 S * 4/2015 Tegg D24/130
D732,161 S * 6/2015 Ohashi D24/113
D739,005 S * 9/2015 Matsumura D24/108
D739,011 S * 9/2015 Morrison, Jr. D24/114
2004/0054327 A1 3/2004 Gillespie

FOREIGN PATENT DOCUMENTS

GB 2077458 12/1998
GB 2077459 12/1998
JP 1401280 S 11/2010
JP 1401283 S 11/2010
JP 1450221 S 9/2012
JP 1454273 S 10/2012

OTHER PUBLICATIONS

www.simponi.com/rheumatoid-arthritis/learn-about-simoni/how-to-take/injection-choices, Nov. 4, 2013.
www.forteo.com/Pages/how-to-inject-forteo-to-help-osteoporosis-treatment.aspx, Nov. 4, 2013.
http://www.rheuma-online.de/uploads/pics/448x220xEnbrel_SureClick_Autoinjektor_kompr.JPG, Nov. 14, 2013.
<http://www.shl-group.com/products/shl-medical/disposable-autoinjector.html>, Dec. 13, 2013.
<https://www.facebook.com/video/video.php?v=1863302351214>, Feb. 11, 2014.

* cited by examiner

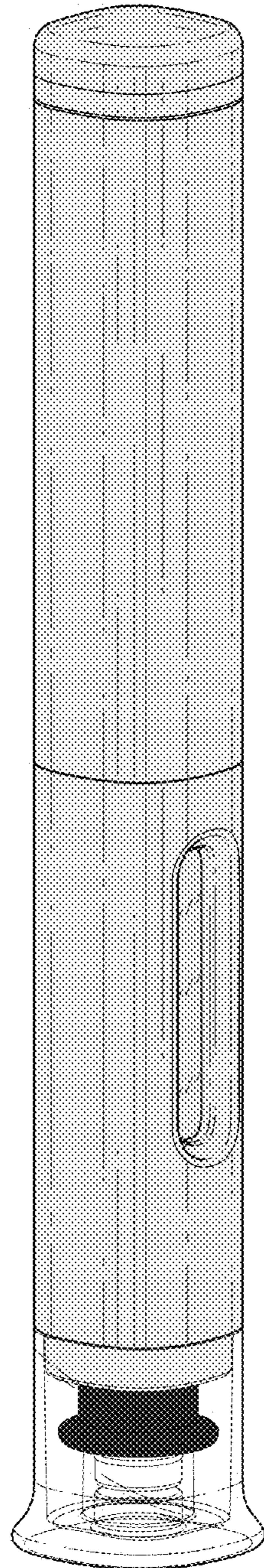


FIG. 1

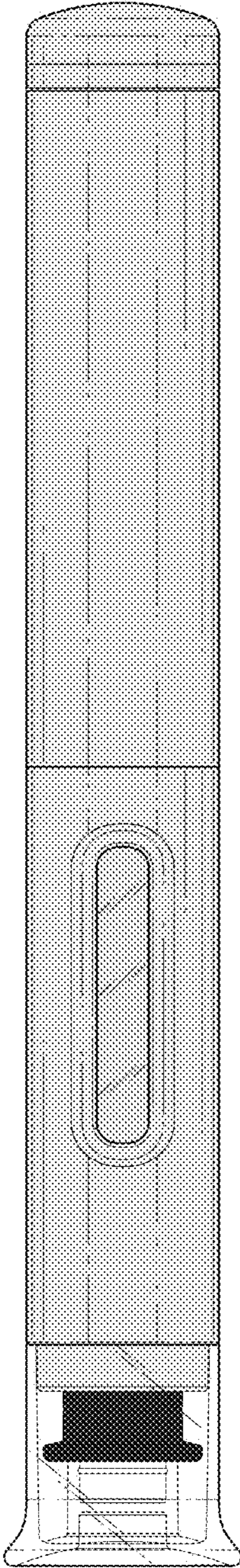


FIG. 2

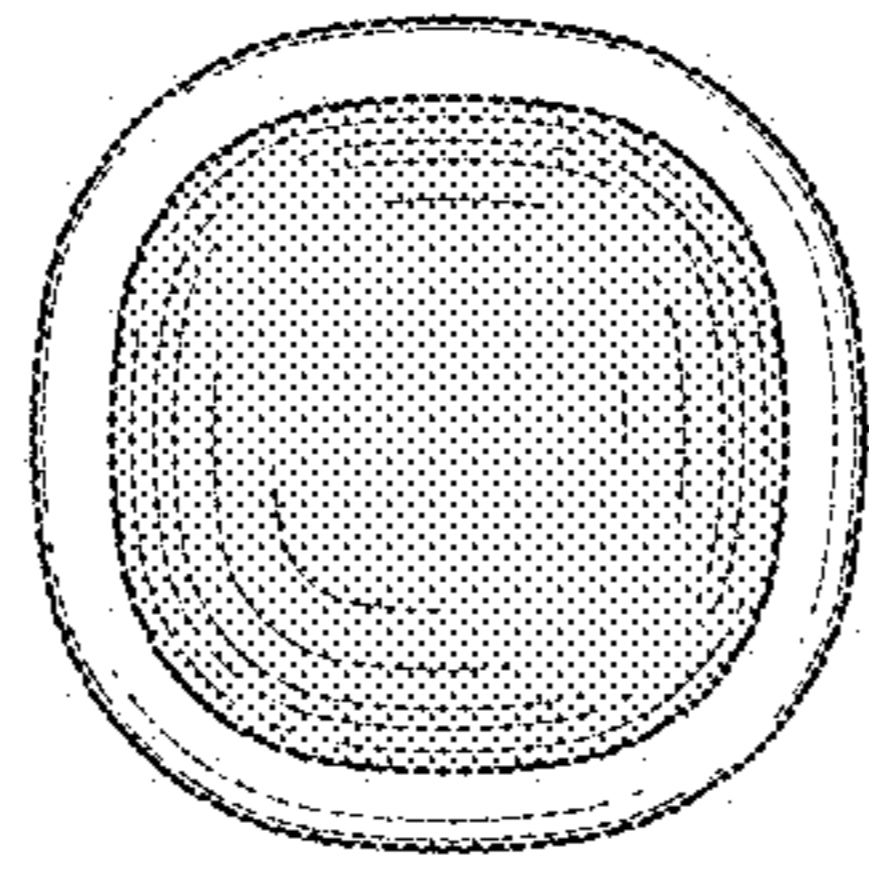


FIG. 3

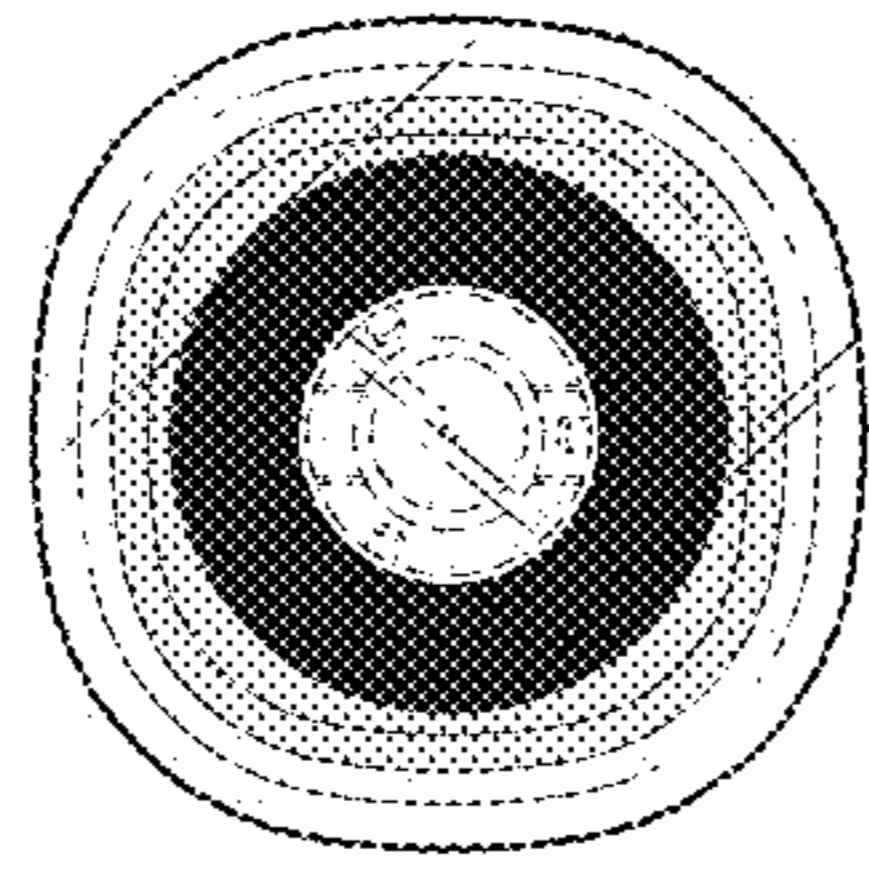


FIG. 4

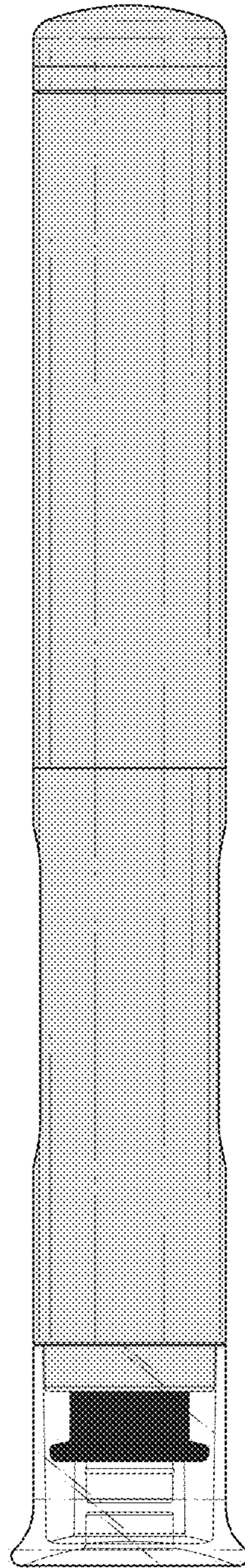


FIG. 5

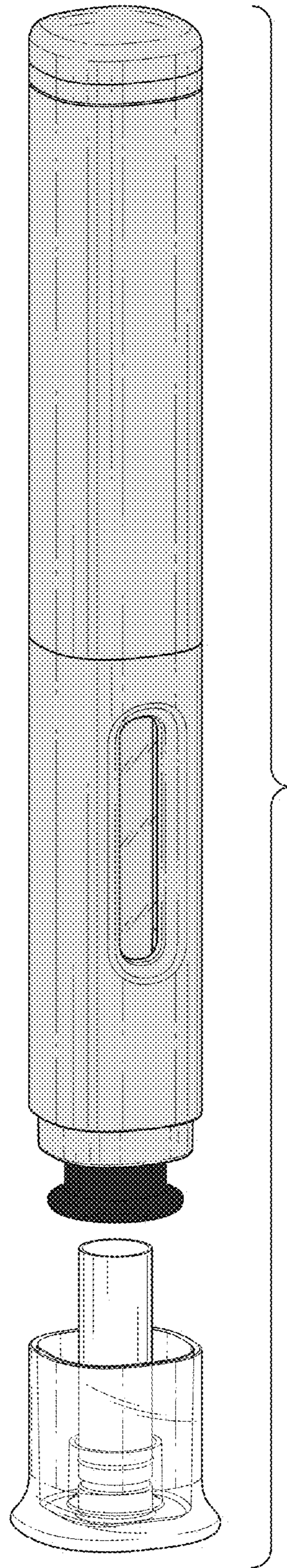


FIG. 6

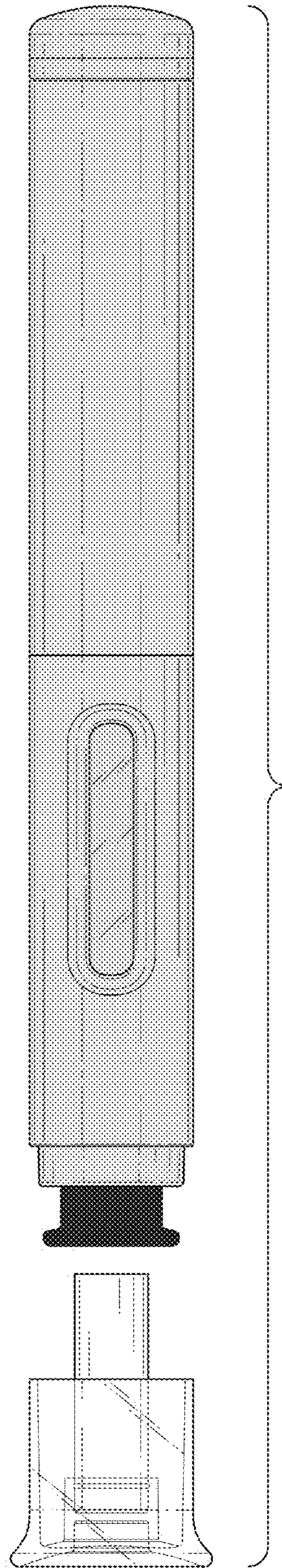


FIG. 7

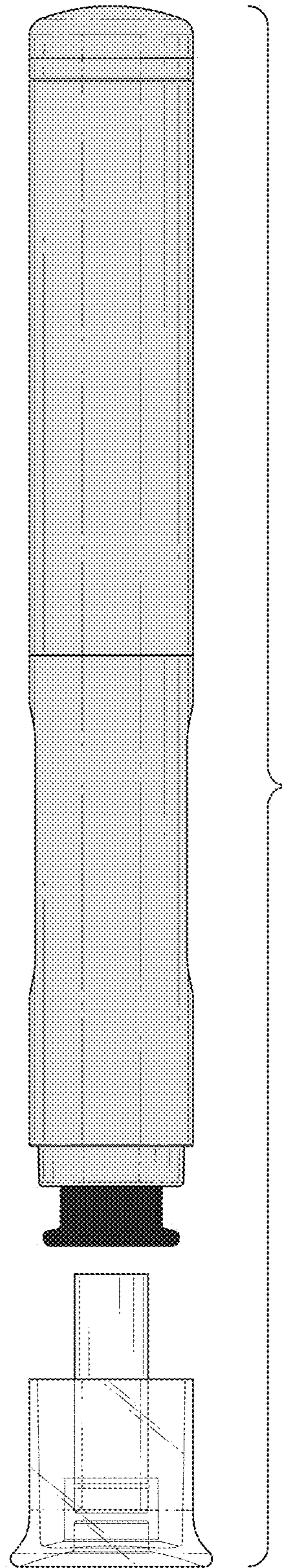


FIG.8

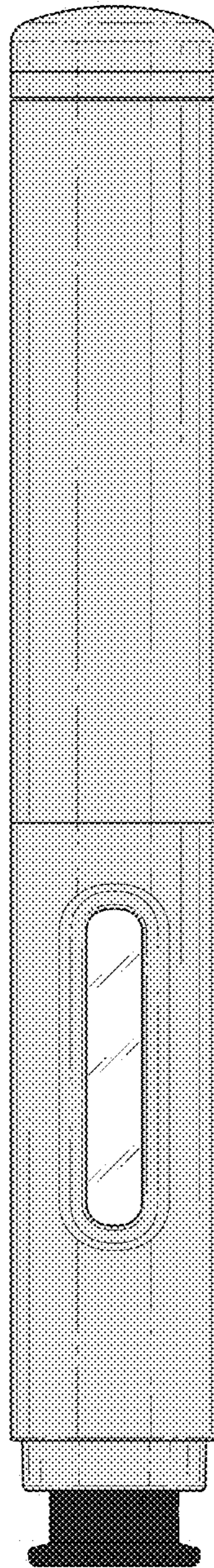


FIG. 9

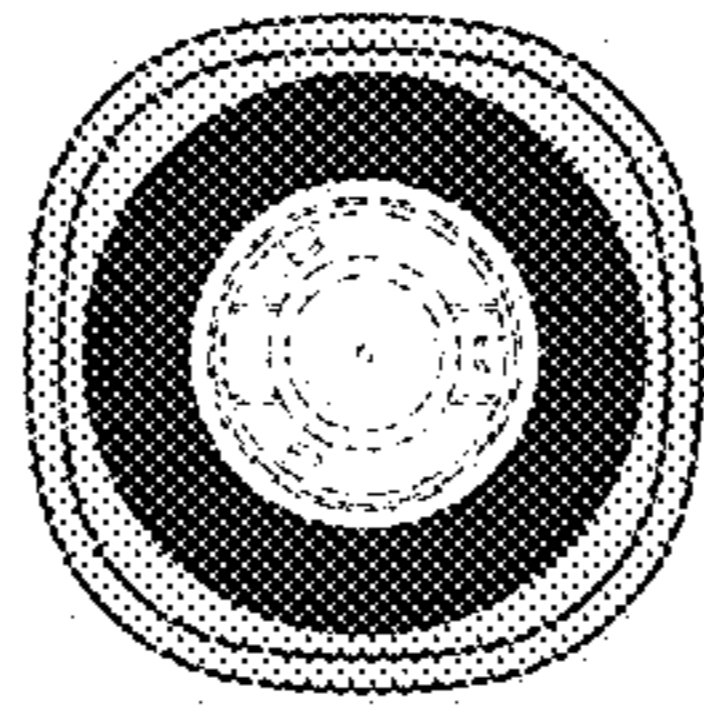


FIG. 10